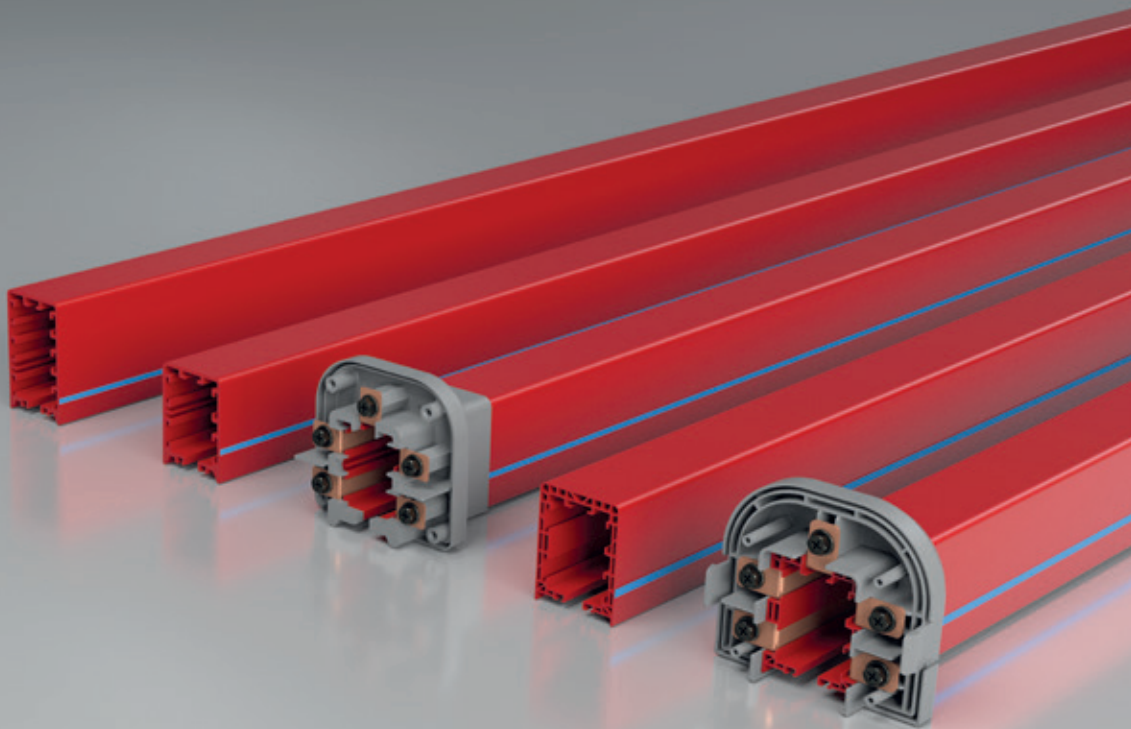




E-LINE TROLLEY BUSBAR

Trolley Busbar Systems



E-LINE TROLLEY BUSBAR

Please visit our website for the updated version of our catalogues.
www.eaelectric.com



EAE Group in numbers;



1973
year of foundation

Founded in 1973, EAE Elektrik A.S. being the parent company of EAE Group is a worldwide manufacturer of electrical products.

Founded : in 1973
Closed Manufacturing Area : 280.000m²
Range of Products : Busbar Power Distribution Systems
Lighting Busbar Systems
Cable Tray Systems
Underfloor Trunking
Trolley Busbar Systems



280.000m²
closed manufacturing
area

Companies : EAE Elektrik
EAE Aydınlatma
EAE Elektroteknik
EAE Teknoloji
EAE Makina



5
manufacturing
plants

Number of Plants : 5

"Lean Production" and "Innovative and Customer Driven Product Development" approaches are the key values utilized in designing and manufacturing the product families in compliance with ISO 9001, ISO 14001, OHSAS 18001 and ISO 27001.

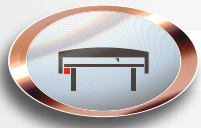


3
R&D Centers

EAE Elektrik A.S. busbar products are certified by KEMA/DEKRA (Holland), KEMA - KEUR, UL classified laboratories as per IEC 61439-1/6 standards.



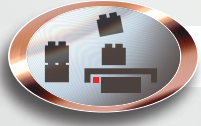
100+
countries of export



• Textile Cutting and Spreading Tables



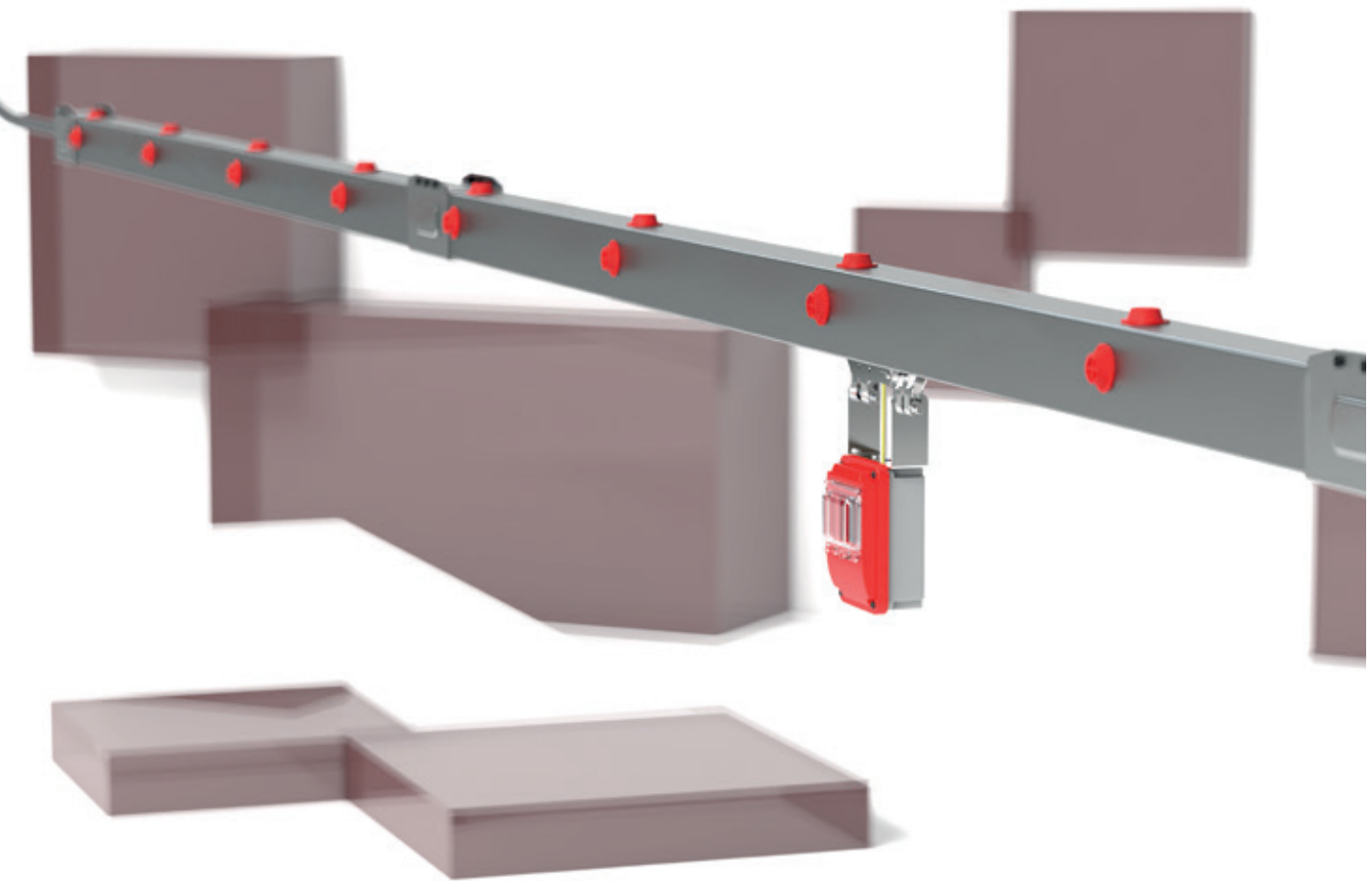
• Moving Ceiling and Door Systems



• Assembly and Test Lines



E-LINE KT



E-LINE KT

Please visit our website for the updated version of our catalogues.
www.eaelectric.com



CONTENTS

▶▶ E-LINE KT

Trolley Busbar Systems.....	2
KT Trolley Busbar.....	3
KT Feeder Unit	4
KT Installation Manual.....	5

▶▶ TROLLEY BUSBAR SYSTEMS

- Textile Cutting and Spreading Tables
- Moving Ceiling and Door Systems
- Assembly and Test Lines

It consists of copper conductors and current collectors in the C-PVC body. The uninterrupted energy supply and movement of the system is provided by current collectors connected to the system mechanically.

The eliminates the possibilities such as accident, malfunction in energy distribution with suspended and reel cable in conventional systems. Conductors are enclosed in C-PVC housing and personnel safety is maximized.

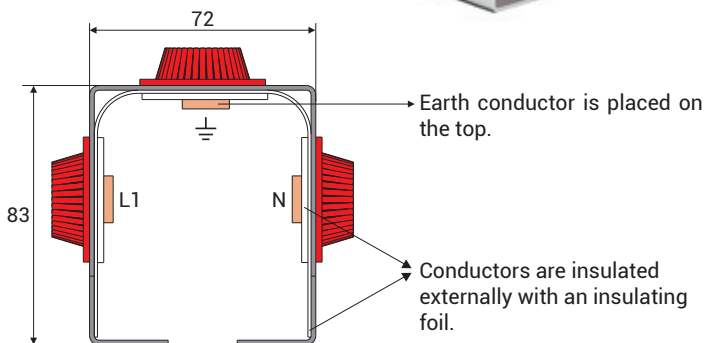
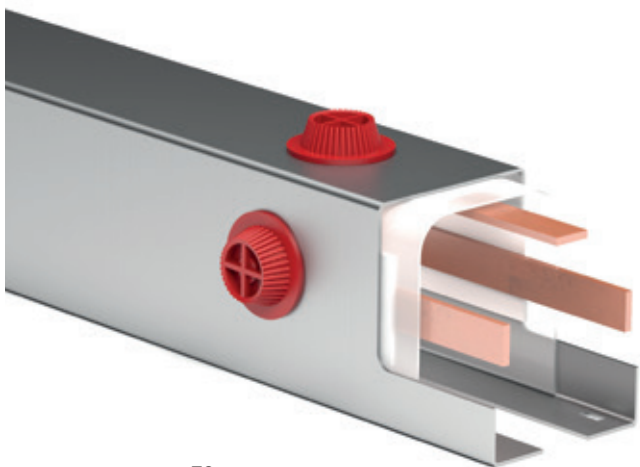
There is no fixed connection between the conductor housings and the conductors and between the C-PVC housing and the sliding hangers, the necessary expansion opportunity is provided, therefore the expansion element is unrequired.

Cautions:

If it is used in external environments exposed to rain, it is recommended to protect it with a cover such as a canopy.



►► **KT GALVANIZE STEEL HOUSING TROLLEY BUSBAR**



- **Number of Conductors:** 3 Conductors
- **Colour :** Metallic
- **Temperature range:** -20°C , +55°C.
- **Standard housing length:** 2,5 meters
- Housing is made of pre-galvanized sheet metal and plastic accessories are made of PA6 raw material.
- Conductors are protected against hand contact inside the housing.

Standard 2,50 Meters

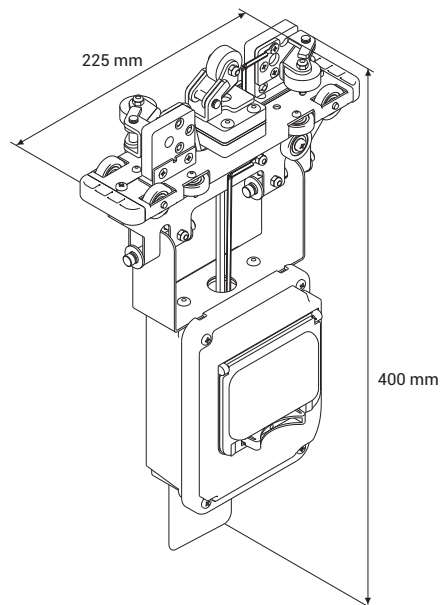
Model	Conductors Quantity-Current (A)	Weight (gr/m)	Conductor Cross Section (mm ²)	Order Code
KT	3P - 100A	4400	3x15	3025172

Special Length (1,00 - 1,50 - 2,00 Meters)

Model	Conductors Quantity-Current (A)	Weight (gr/m)	Conductor Cross Section (mm ²)	Order Code
KT	3P - 100A	4400	3x15	3025139

Joint plastics are not included in the weight values.
Total weight of the joint plastics and bolts is 0.79 Kg.

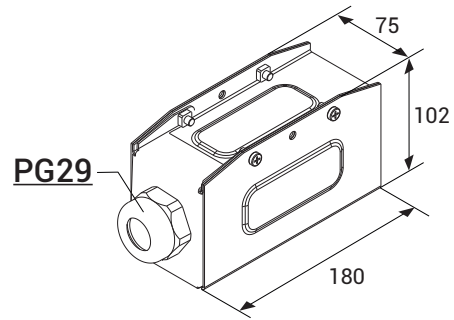
►► **KT A3 CURRENT COLLECTOR**



Current collector with round brushes facilitate the movement of the trolley inside the busbar by reducing the friction when the movement in the installation tables are provided by the operating personnel.

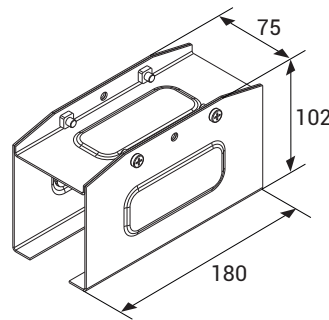
Model	Brushes Number-Current (A)	Weight (gr)	Order Code
KT-A3 Current Collector	3P - 25A	1850	3025166
KT-A3 Current Collector Brush Set		120	2053527

▶▶ **KT FEEDER UNIT**



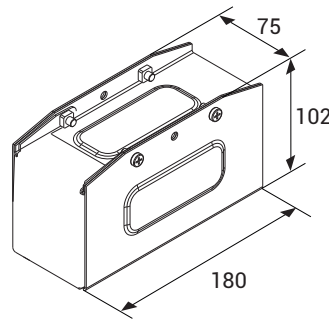
Description	Weight (gr)	Order Code
KT Feeder Unit	1000	3025171

▶▶ **KT JOINT UNIT**



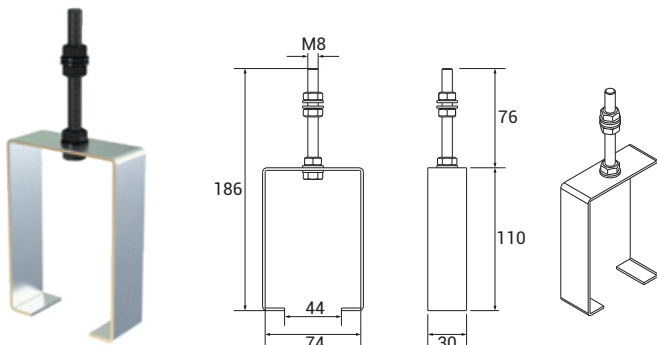
Description	Weight (gr)	Order Code
KT Joint Unit	800	2011166

▶▶ **KT END CLOSURE**



Description	Weight (gr)	Order Code
KT End Closure	900	3025170

▶▶ **KT SLIDING HANGER**

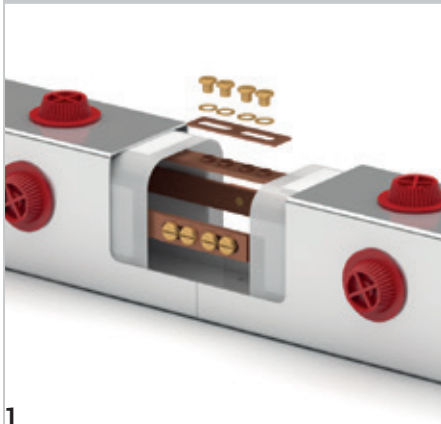


Description	Weight (gr)	Order Code
KT Sliding Hanger	200	3025169

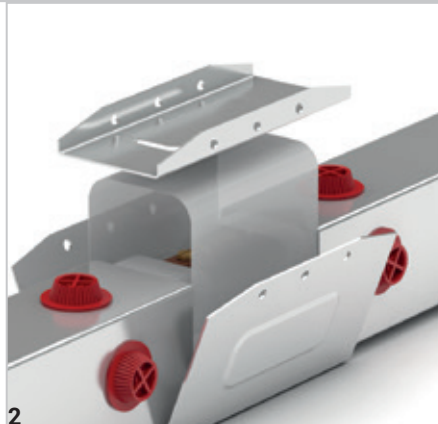
Trolley busbar should be mounted with sliding hanges and each hangers should be between 1,30m - 1,50m.

►► INSTALLATION MANUAL

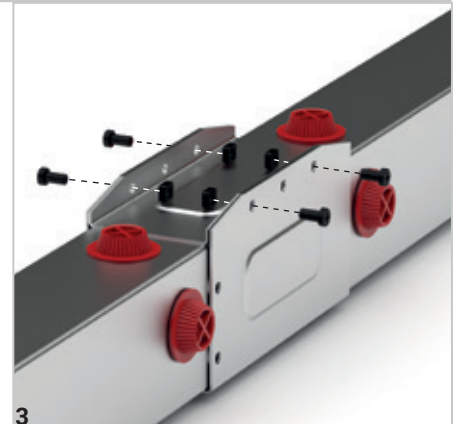
KT - INSTALLATION OF JOINT



Connect the coppers with an joint unit.

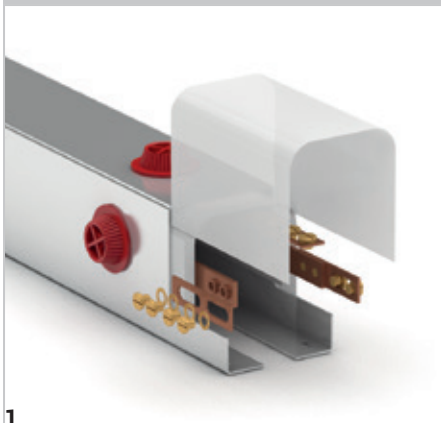


Place the insulating foil and close the covers.

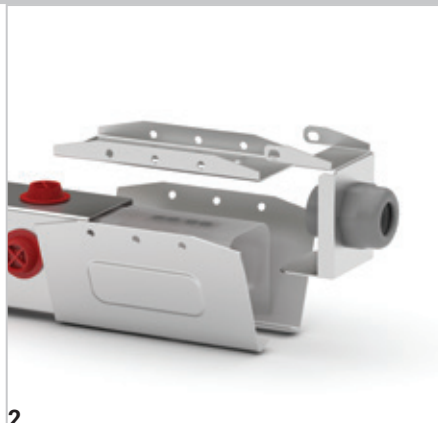


Complete the installation by screwing the covers.

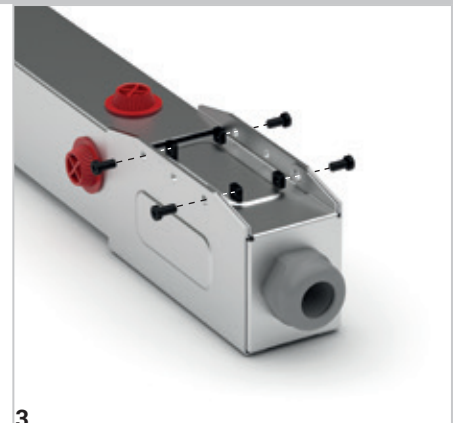
KT - FEEDER



Connect the feeding cables with the windowed tool and place the insulating foil.

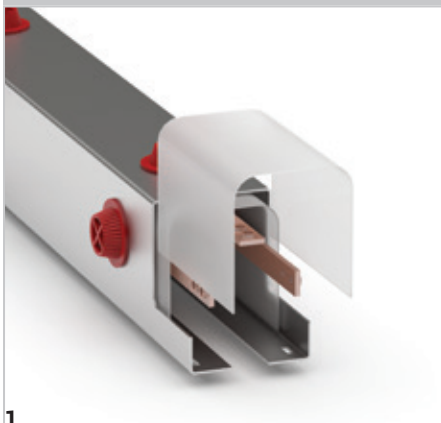


Place the covers.

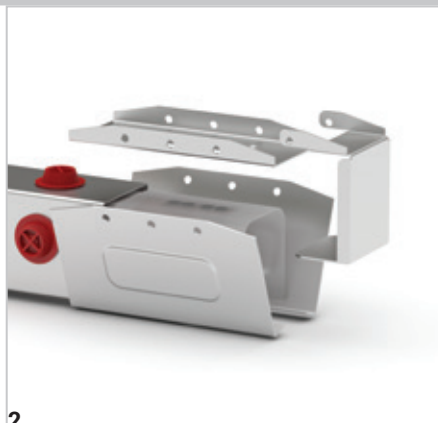


Complete the installation by screwing the covers.

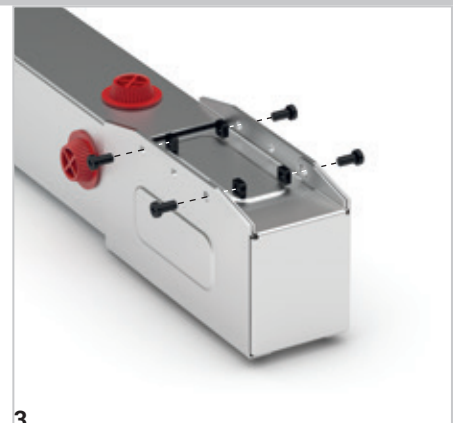
KT - END CLOSURE



Place the insulating foil.



Install the covers.



Complete the installation by screwing the covers.

KT

►► Declaration

CE DECLARATION OF CONFORMITY

Product Group E-Line TB Trolley Busbar Systems
Manufacturer Akcaburgaz Mahallesi, 3114. Sokak,
No:10 34522 Esenyurt-Istanbul

The objects of the declaration described below is in conformity with the relevant Cable gland harmonisation legislation. This declaration of conformity is issued under the sole responsibility of the manufacturer.

Standard:**TS EN 61439-6**

Low-voltage switchgear and controlgear assemblies - Part 6: Busbar trunking systems

CE - Directive:

2014/35/EU "The Low Voltage Directive"

2014/30/EU "(EMC) Electromagnetic Compatibility Directive"

2011/65/EU "RoHS Directive"

Technical Document Preparation Official:

EAE Elektrik Asansor End. Insaat San. Tic. A.S.
Akcaburgaz Mahallesi, 3114. Sokak, No:10 34522 Esenyurt-Istanbul

Emre GÜRLEYEN

Date

20.04.2016

Document Authorized Signatory

Elif Gamze KAYA OK
Deputy General Manager



EAE Elektrik A.S.
Head Office
Akcaburgaz Mahallesi,
3114. Sokak, No:10 34522
Esenyurt - Istanbul - TURKEY
Tel: +90 (212) 866 20 00
Fax: +90 (212) 886 24 20

EAE DL 3 Factory
Busbar
Gebze IV Istanbul Makine ve
Sanayicileri
Organize Bolgesi, 6. Cadde,
No: 6 41455 Demirciler Koyu,
Dilovası - Kocaeli - TURKEY
Tel: +90 (262) 999 05 55
Fax: +90 (262) 502 05 69

Please visit our website for the updated version of our catalogues.
www.eaeelectric.com



IEC 61439-6



Catalogue 08-Eng. / Rev 09 / 500 pcs. 02/09/2022
S.S.

EAE has full right to make any revisions or changes on this catalogue without any prior notice.