



SUPPORT SYSTEM SOLUTIONS

Support Systems and Accessories



SUPPORT SYSTEM SOLUTIONS

EAE Support-Systems provide your project with high quality, fast installation, a wide range of products the optimum and the most professional solutions.

Thanks to its modular and perforated structure, it provides the advantage of easy installation, in addition it can be produced in desired lengths in many product types.

EAE Support Solutions are produced in 2 classes: Light and Heavy Duty.

According to the application types;

- Wall Mounted Bracket Systems,
- Ceiling Mounted Bracket Systems,
- Threaded Bracket Systems (Single /Dual),

are some examples for products from a vast range of applications. In addition, Special Vertical Shaft Support Systems for the vertical application of the Busbar Systems are also available. There are support solutions available for your project with G, U, C and L profiles.

EAE Support-Bracket Systems are standard-produced as Pregalvanized and Hot Dip Galvanized Coated for indoor or outdoor applications. Painted and Stainless Steel Support Solutions are also available which are resistant to corrosive environments and different conditions in accordance with customer requests

Company Profile

in numbers;

EAE Group

1973

year of foundation

280.000m²

closed manufacturing area

100+

countries of export

Founded in 1973, EAE Elektrik A.Ş. is the parent company of the EAE Grup. EAE Elektrik A.Ş. is a global manufacturer in the electrical industry.

Founded : in 1973
Closed Manufacturing Area : 280.000m²
Range of Products : Busbar Power Distribution Systems
 Lighting Busbar Systems
 Cable Tray Systems
 Underfloor Trunking
 Trolley Busbar Systems

Companies : EAE Elektrik
 EAE Lighting
 EAE Elektrotechnik
 EAE Technology
 EAE Machinery

"Lean Production" and "Innovative and Customer Driven Product Development" approaches are the key values utilized in designing and manufacturing the product families in compliance with ISO 9001, ISO 14001, OHSAS 18001 and ISO 27001.

EAE Elektrik A.S. busbar products are approved by KEMA / DEKRA (Holland) laboratories for IEC 61537 and UL standards compliance. This compliance is periodically audited by KEMA-KEUR and UL.







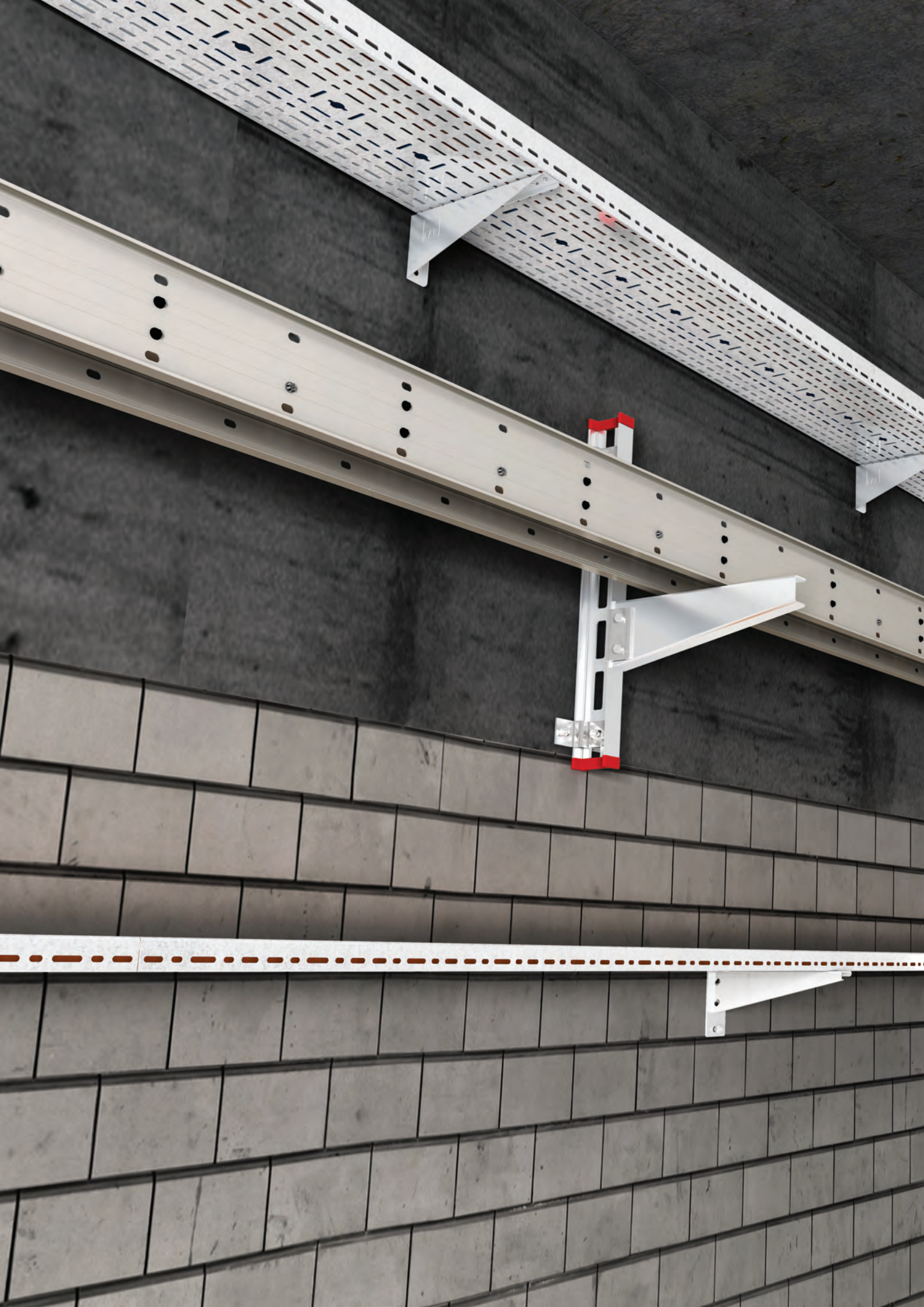
CONTENTS

►► SUPPORT SYSTEMS

Wall Mounted Bracket Systems	4-10
Ceiling Mounted Bracket Systems	14-33
Single Rod Type Bracket Systems	36-43
Dual Rod Type Bracket Systems	44-48
Vertical Shaft Bracket Systems	52-58

►► ORDER CODES

ETS-D Support, STS-D Support	62
TS Supports, A-STIS-D Heavy Duty Supports	63
Binrak Double Support With Single Holes, A-STK Heavy Duty Supports	64
IDY Heavy Duty Supports, UDY Heavy Duty Supports	65
STS Heavy Duty Supports, KT Supports	66
Ceiling Fixing Element, Ceiling Mount Fittings	67
Support Extension Units, Ceiling Mounting Fittings	68
UDYB Heavy Duty Supports, UPD Heavy Duty Type Supports	69
UPY Heavy Duty Supports (U), Ceiling Mounting Fittings	70
STK Heavy Duty Supports, STK-M Heavy Duty Supports	71
IDD Heavy Duty Type Supports, Support Fittings	72
UDD Heavy Duty Type Supports, Ceiling Mounting Fittings	73
PDD Universal Supports, PDDB Universal Supports	74
Tray Supports For Threaded Rods (L), Heavy Duty Supports (L)	75
Ceiling Mounting Fittings, Tray Supports For Threaded Rods	76
Tray Supports For Threaded Rods, Universal Supports	77
Binrak Channel, Binrak Fixing Accessories , V-Support	78
Fixing Accessories	79-80
Quick Binrak Nut, Quick Travers Nut	81
Fixing Accessories	82
KO Support Elements, KO Supports, KX Connectors, KX Supports, Retainer Kit	83
DL Support Fittings, KAM/KAP Support Fittings	84



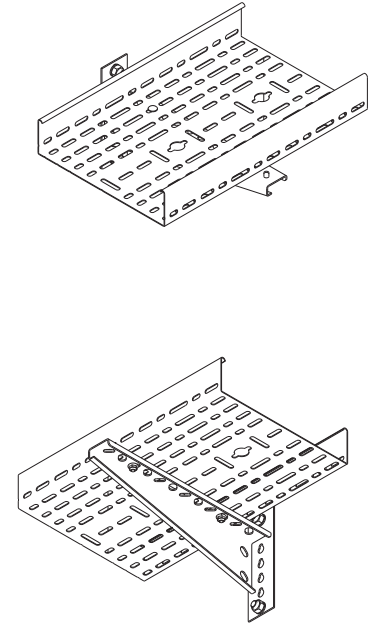
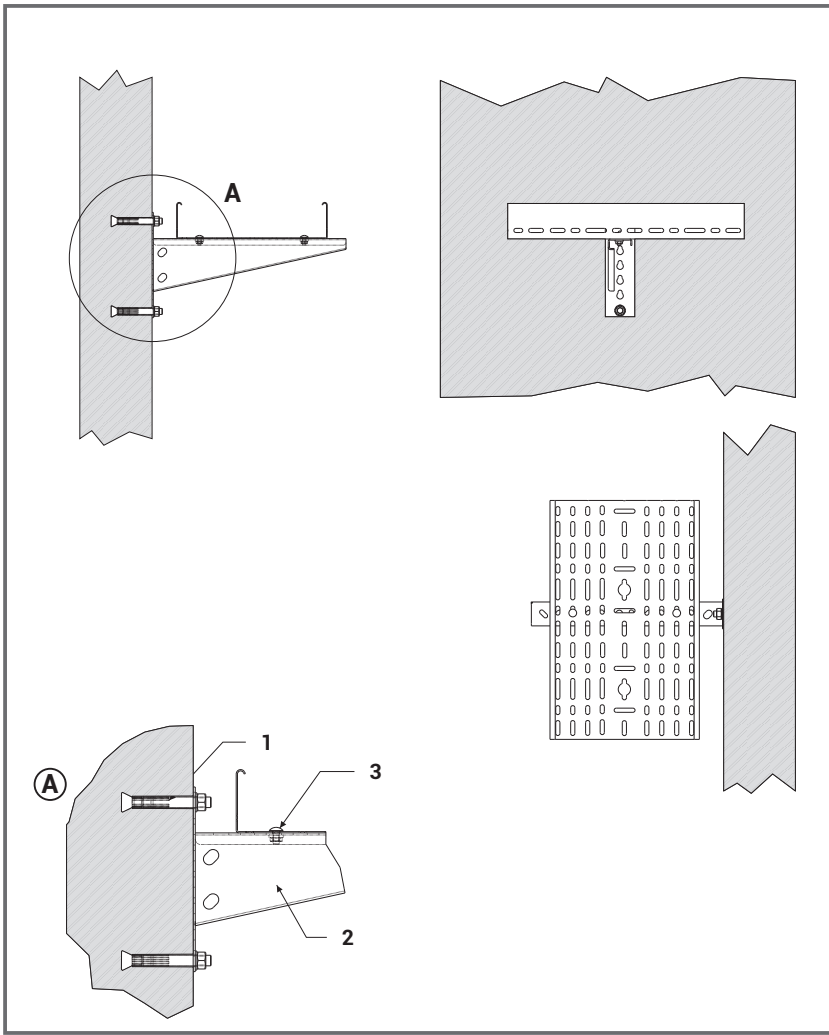
WALL MOUNTED BRACKET SYSTEMS



▶▶ WALL MOUNTED BRACKET SYSTEMS

▶ MODEL APPLICATIONS

TP 101



Application:



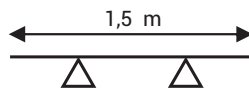
Wall

Used Product:



Cable Tray

Recommended Support Range



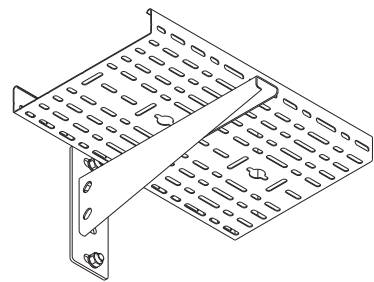
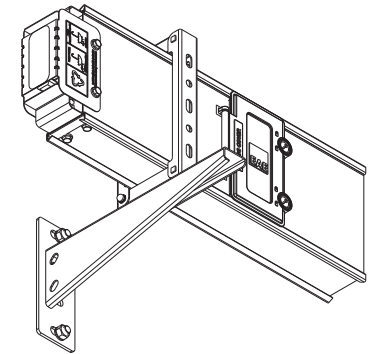
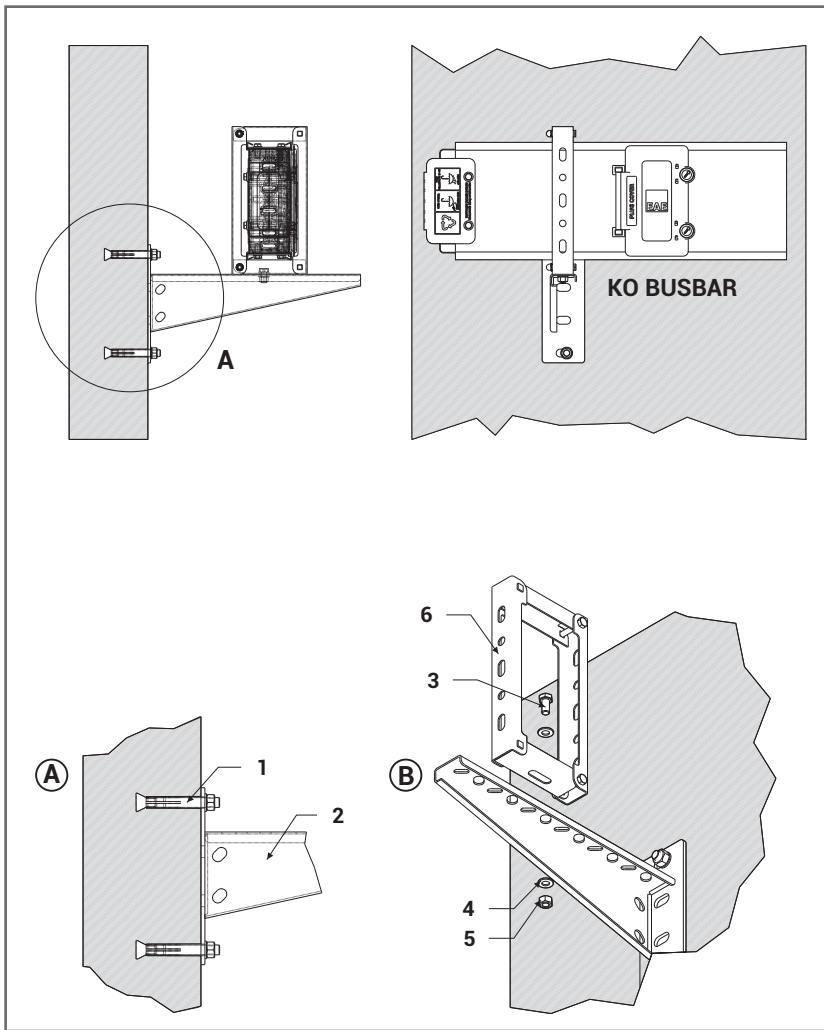
TP 101

No	Description	Number of pieces in the system	Remark	Ref. Page
1	EAE Steel Dowel	2	M8/M10	Refer to page 80.
2	ETS-D Support Fittings	1	Available for 050-600 mm width.	Refer to page 62.
3	M6 x 12 Extension Bolt	2	-	Refer to page 82.

▶▶ WALL MOUNTED BRACKET SYSTEMS

▶ MODEL APPLICATIONS

TP 102



Application:

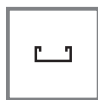


Wall

Used Product:

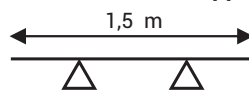


Busbar



Cable Tray

Recommended Support Range



Warning:

- M6X12 bolt assembly should be ordered if cable tray installation is to be performed in the system.

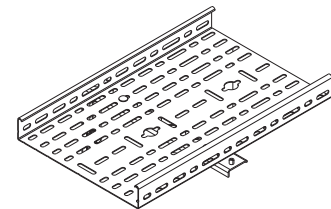
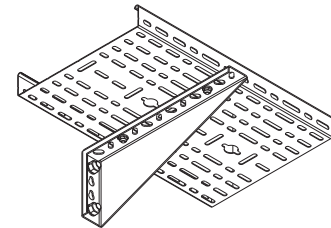
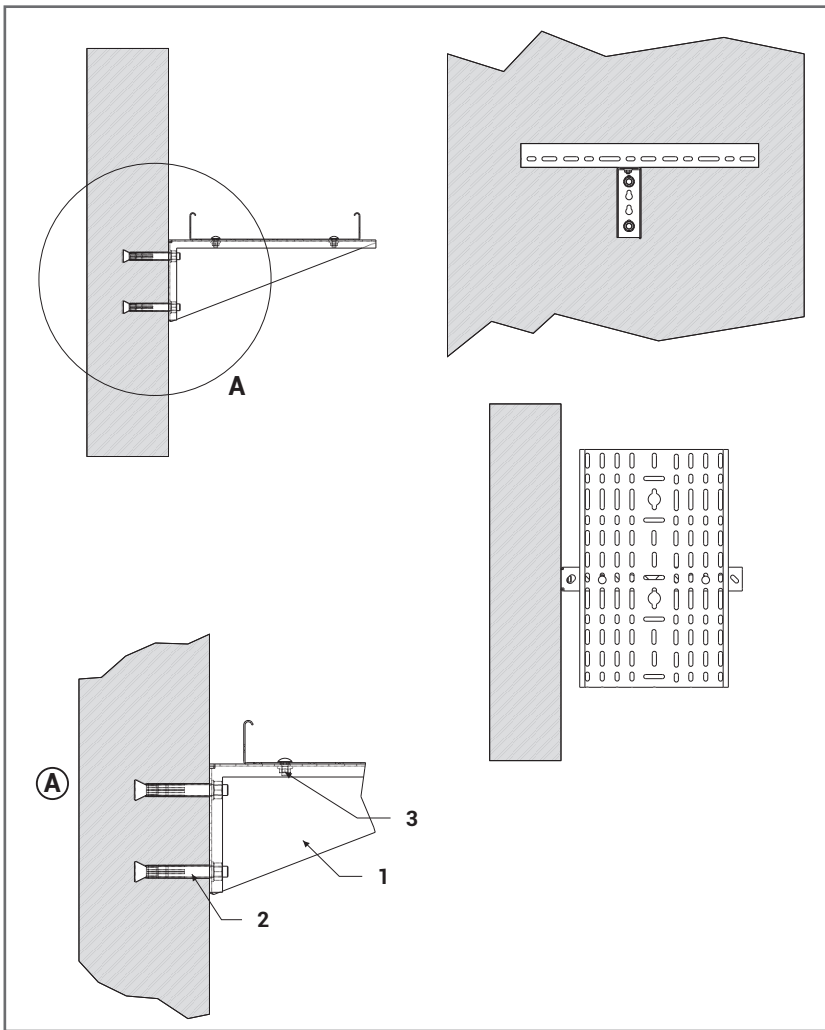
TP 102

No	Description	Number of pieces in the system	Remark	Ref. Page
1	EAE Steel Dowel	2	M10	Refer to page 80.
2	STS-D Console	1	Available for 100-160 mm width.	Refer to page 62.
3	M8 X 20 Bolt	1	-	Refer to page 79.
4	M8 Washer	1	-	Refer to page 79.
5	M8 Nut	1	-	Refer to page 79.
6	KO Universal Retainer	1	-	Refer to page 83.

▶▶ WALL MOUNTED BRACKET SYSTEMS

▶ MODEL APPLICATIONS

TP 103

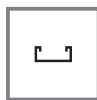


Application:



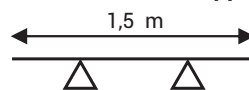
Wall

Used Product:



Cable Tray

Recommended Support Range



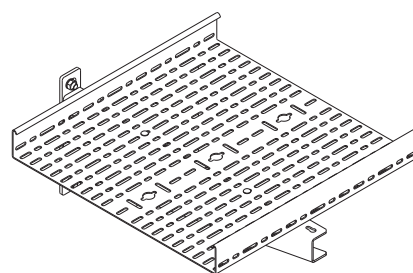
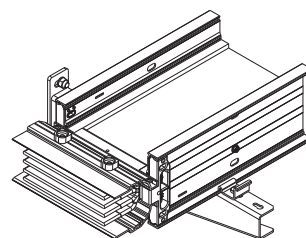
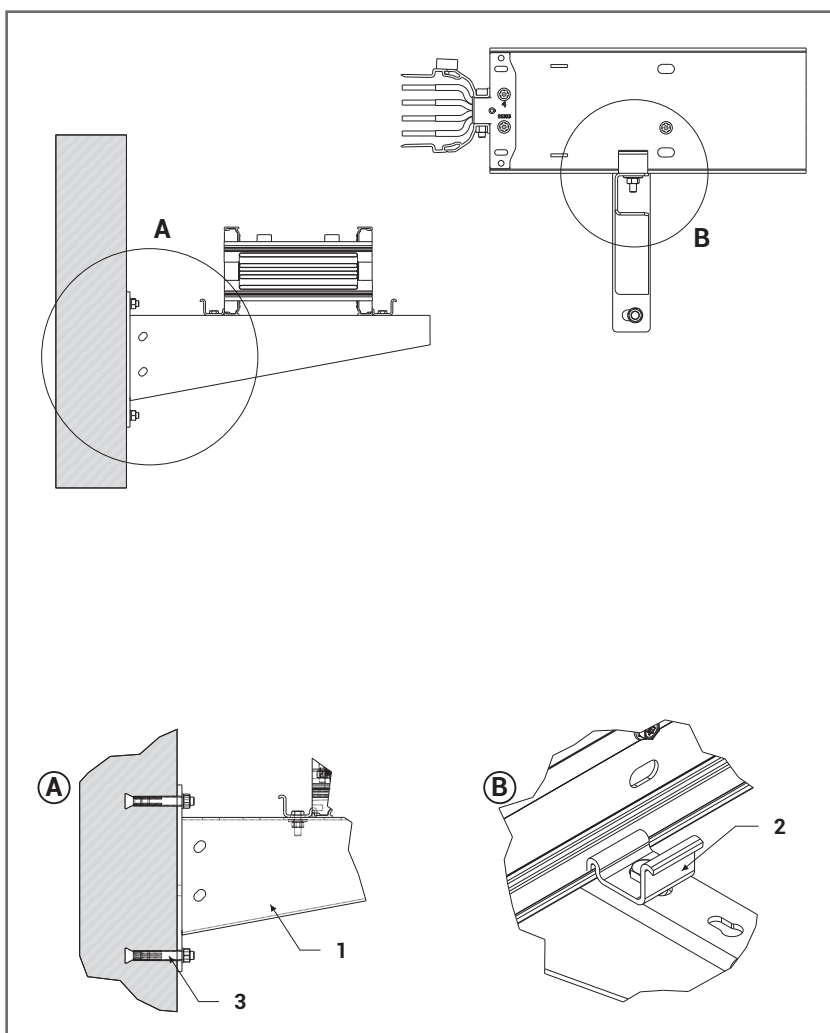
TP 103

No	Description	Number of pieces in the system	Remark	Ref. Page
1	TS Support Fittings	1	Available for 050-600 mm width.	Refer to page 80.
2	Steel Dowel	2	M8/M10	Refer to page 80.
3	M6x12 Bolt Set	2	-	Refer to page 82.

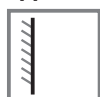
▶▶ WALL MOUNTED BRACKET SYSTEMS

▶ MODEL APPLICATIONS

TP 104



Application:



Wall

Used Product:

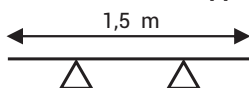


Busbar



Cable Tray

Recommended Support Range



Warning:

■ Max. available up to KXA2500A and KXC2000A. It is not applicable for bigger busbars.

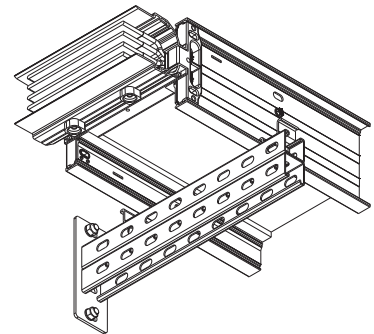
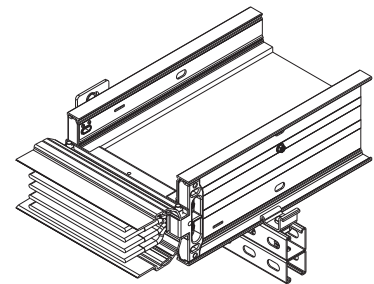
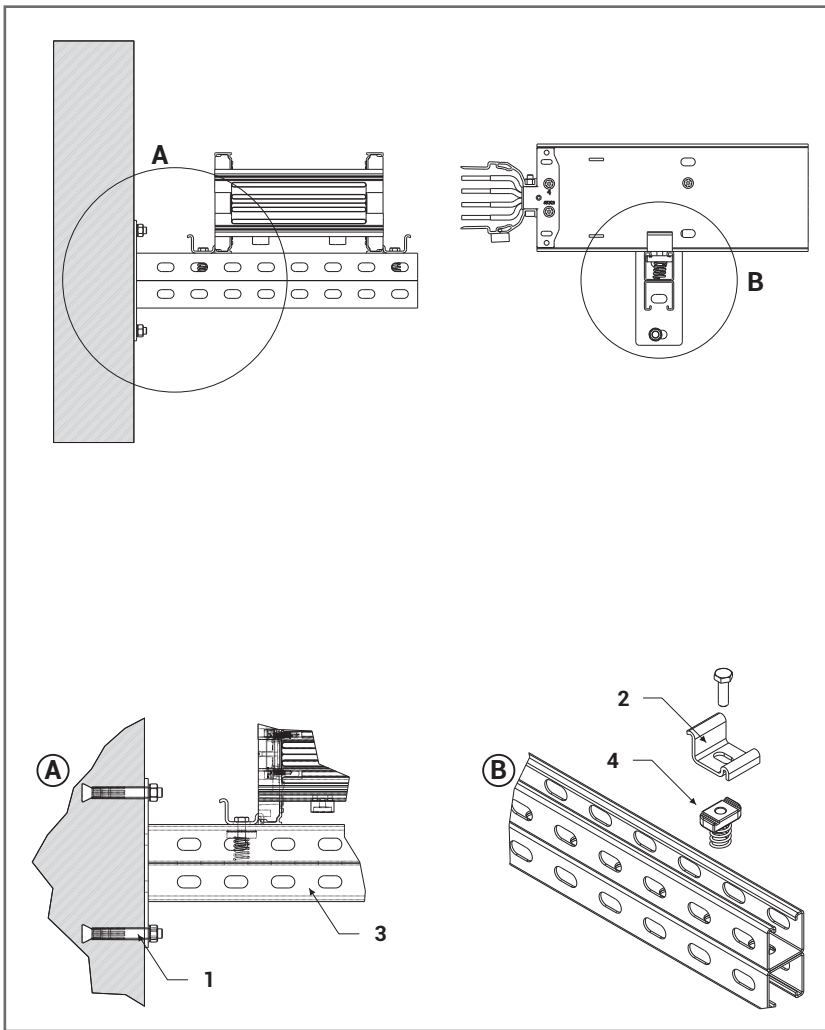
TP 104

No	Description	Number of pieces in the system	Remark	Ref. Page
1	A-STS-D Console	1	Available for 210-1010 mm width.	Refer to page 63.
2	KX Angle Bracket Fittings	2	-	Refer to page 83.
3	EAE Steel Dowel	2	M10	Refer to page 80.

▶▶ WALL MOUNTED BRACKET SYSTEMS

▶ MODEL APPLICATIONS

TP 105



Application:



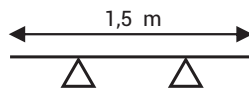
Wall

Used Product:



Busbar

Recommended Support Range



Warning:

- Max. available up to KXA2500A and KXC2000A. It is not applicable for bigger busbars.

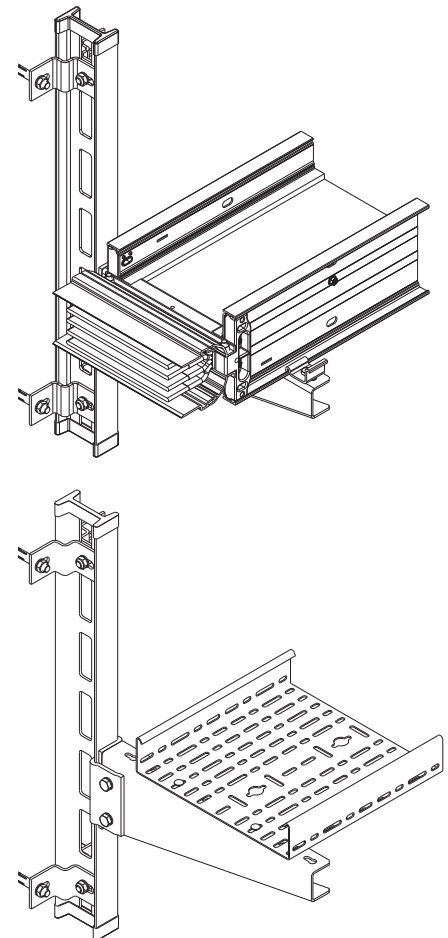
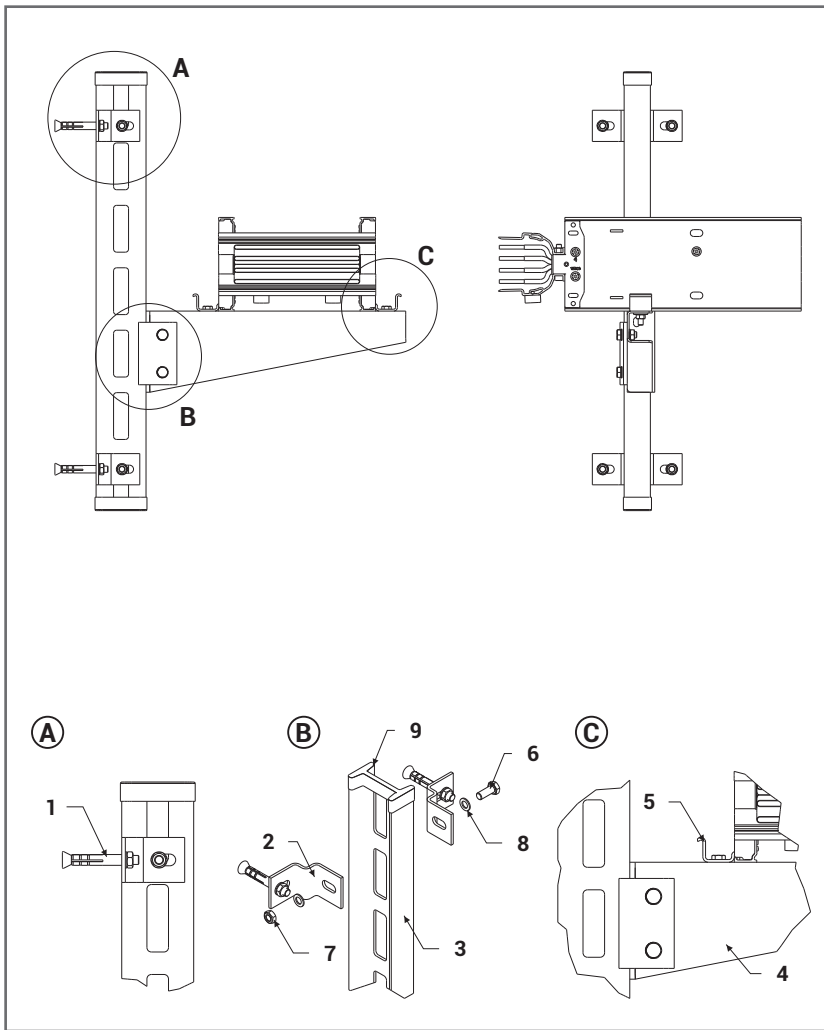
TP 105

No	Description	Number of pieces in the system	Remark	Ref. Page
1	EAE Steel Dowel	2	M10	Refer to page 80.
2	KX Angle Bracket Fittings	2	-	Refer to page 83.
3	BR 6-D Console	1	A console with a size of 100-600 mm can be selected.	Refer to page 64.
4	Spring Traverse Nut	2	M10	Refer to page 79.

▶▶ WALL MOUNTED BRACKET SYSTEMS

▶ MODEL APPLICATIONS

TP 106



Application:

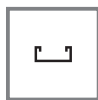


Wall

Used Product:

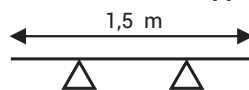


Busbar



Cable Tray

Recommended Support Range



Warning:

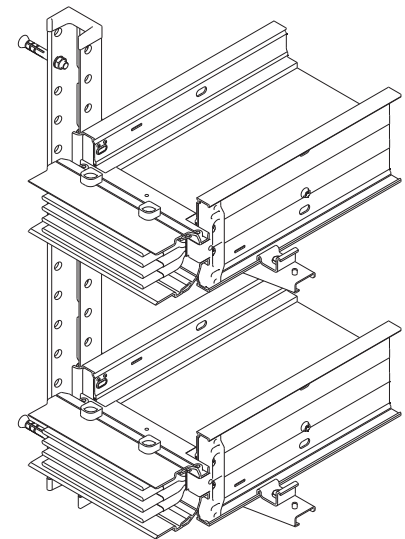
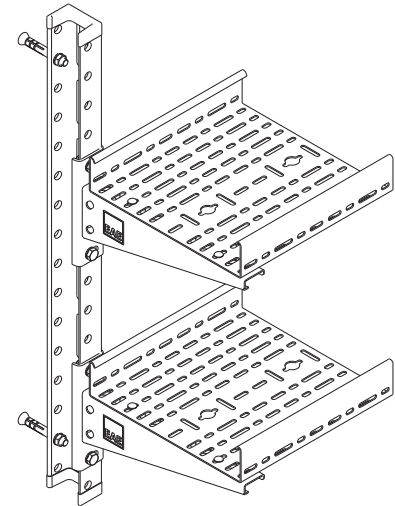
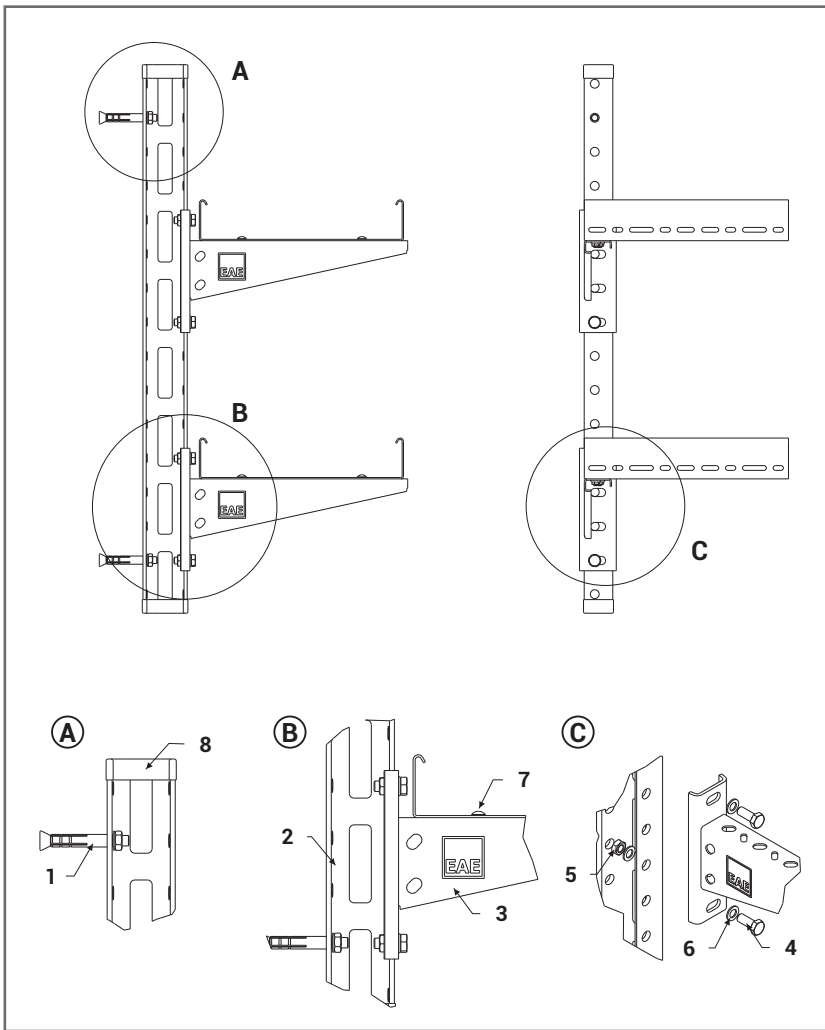
- M6X12 bolt assembly should be ordered if cable tray installation is to be performed in the system.
- Max. available up to KXA2500A and KXC2000A. It is not applicable for bigger busbars.

TP 106

No	Description	Number of pieces in the system	Remark	Ref. Page
1	EAE Steel Dowel	4	M10-M12	Refer to page 80.
2	IDK Conduit Joint	4	Number of IDY springs may increase according to the console length.	Refer to page 72.
3	IDY Console	1	Length may vary up to 3000 mm according to demand and requirement.	Refer to page 65.
4	A-STK Console	1	Available for 210-1010 mm width.	Refer to page 64.
5	KX angle Bracket Fittings	2	-	Refer to page 83.
6	M10 X 30 Washer	2	-	Refer to page 79.
7	M10 Nut	2	-	Refer to page 79.
8	M10 Washer	4	-	Refer to page 79.
9	IDY Protective Cap	2	-	Refer to page 72.

▶▶ WALL MOUNTED BRACKET SYSTEMS

▶ MODEL APPLICATIONS



Application:

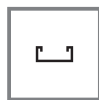


Wall

Used Product:

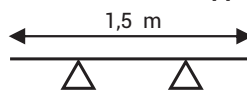


Busbar



Cable Tray

Recommended Support Range

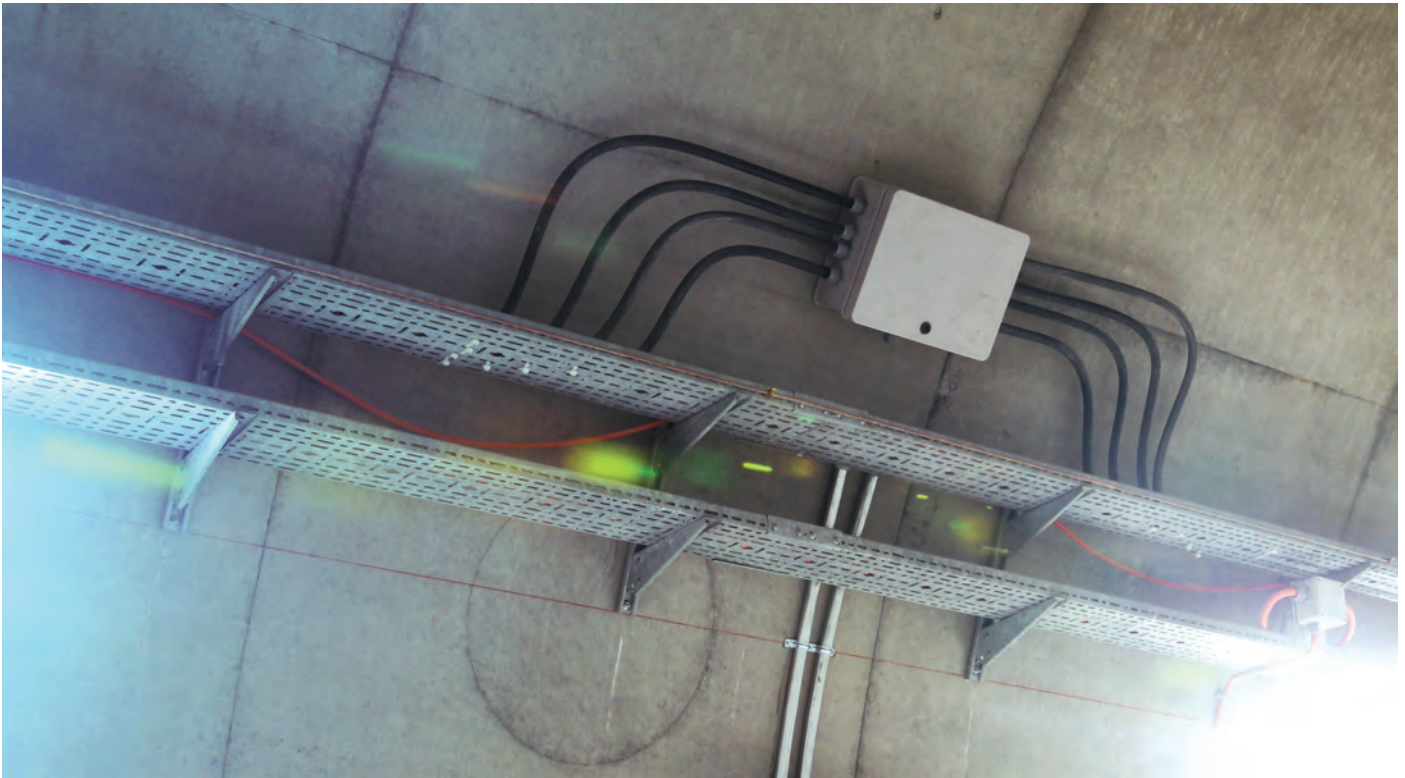


Warning:

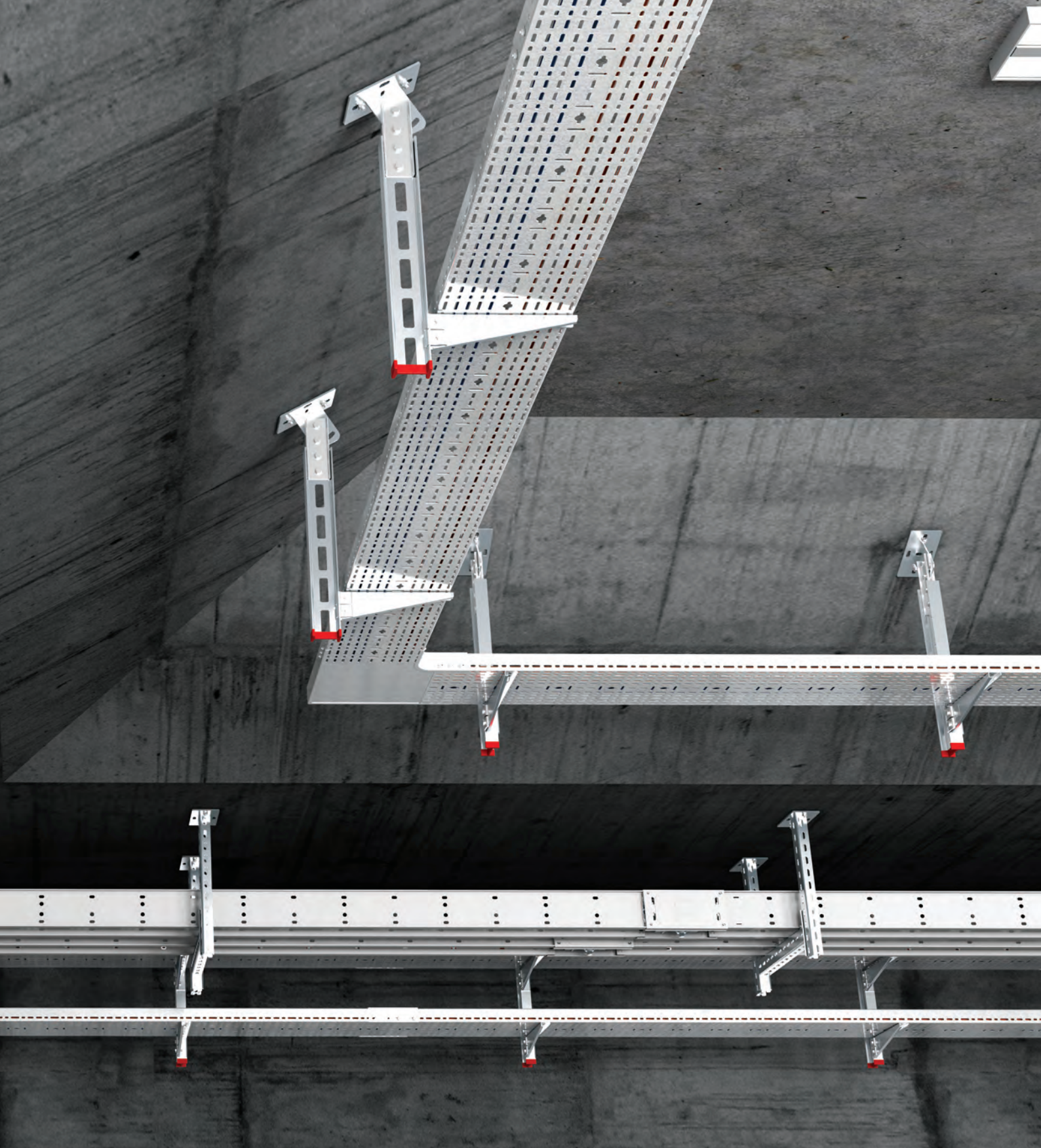
- KX angle bracket fittings can be ordered when a busbar will be installed to the system.
- Max. available up to KXA2500A and KXC2000A. It is not applicable for bigger busbars.
- The number of steel dowels can be increased according to the UDY console 2.

TP 107

No	Description	Number of pieces in the system	Remark	Ref. Page
1	EAE Steel Dowel	2	M8/M10	Refer to page 80.
2	UDY Console	1	Length may be extended up to 3000 mm according to weight and use.	Refer to page 65.
3	STS Console	2	Available for 100-160 mm width.	Refer to page 66.
4	M10 Bolt	4	-	Refer to page 79.
5	M10 Nut	4	-	Refer to page 79.
6	M10 Washer	8	-	Refer to page 79.
7	M6 X 12 Extension Bolt	2	-	Refer to page 82.
8	UDY Protective Cap	2	-	Refer to page 73.





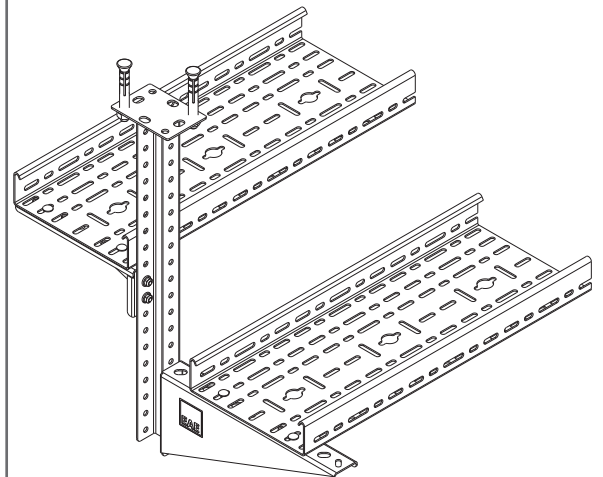
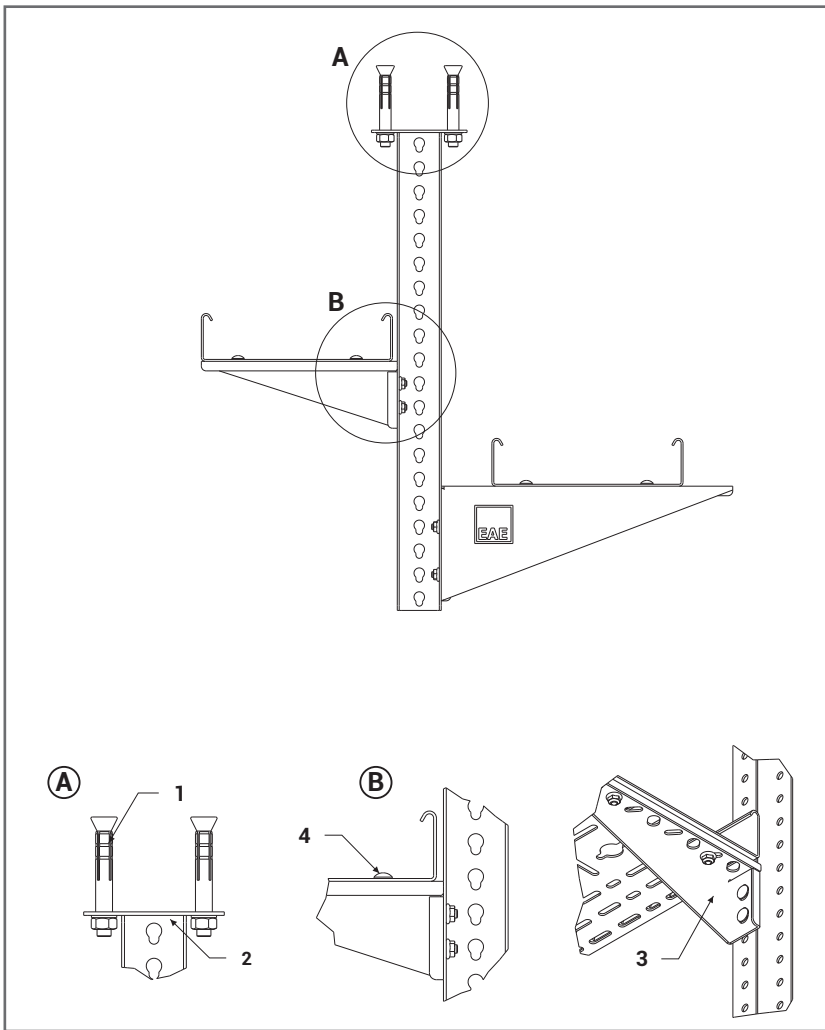


CEILING TYPE BRACKET SYSTEMS

►► CEILING TYPE BRACKET SYSTEMS

► MODEL APPLICATIONS

TP 108



Application:



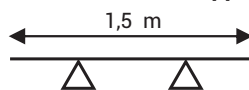
Roof

Used Product:



Cable Tray

Recommended Support Range

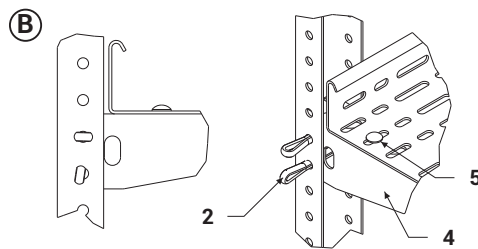
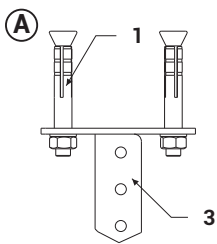
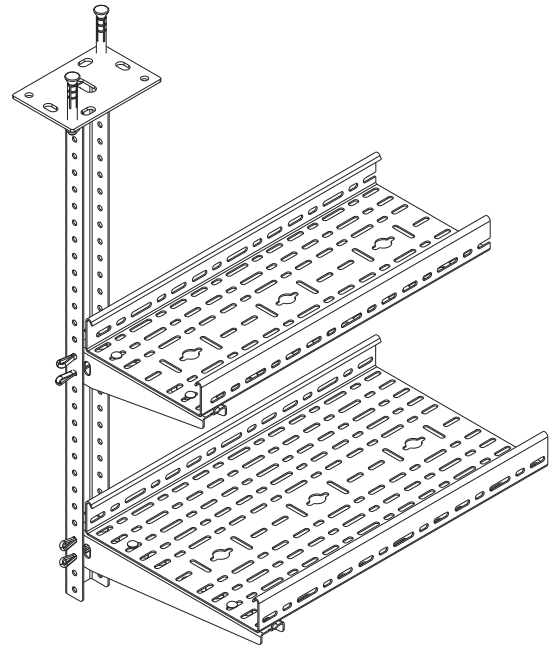
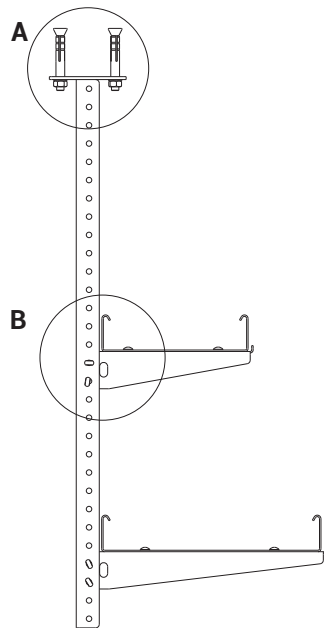


Warning:

- If the length of the product # 2 is more than 1 m, a load calculation is required

TP 108

No	Description	Number of pieces in the system	Remark	Ref. Page
1	EAE Steel Dowel	2	M8/M10	Refer to page 80.
2	TMP 42 Ceiling Support Unit	1	The length "L" may vary.	Refer to page 67.
3	TS Console	2	Available for 050-600 mm width.	Refer to page 63.
4	M6 x 12 Extension Bolt	8	-	Refer to page 82.

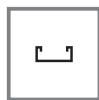


Application:



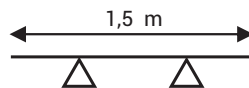
Roof

Used Product:



Cable Tray

Recommended Support Range



Warning:

- If the length of the product # 3 is more than 1 m, a load calculation is required

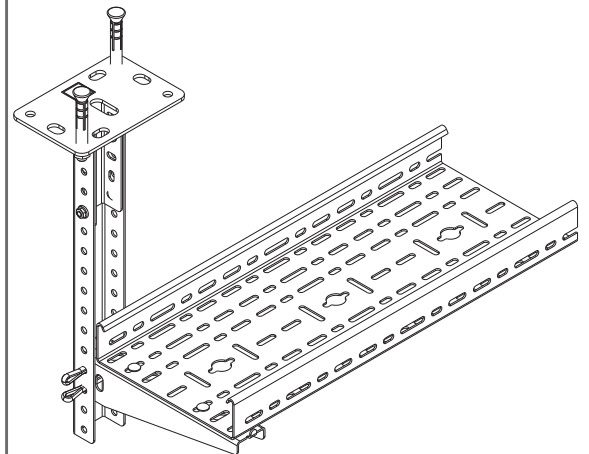
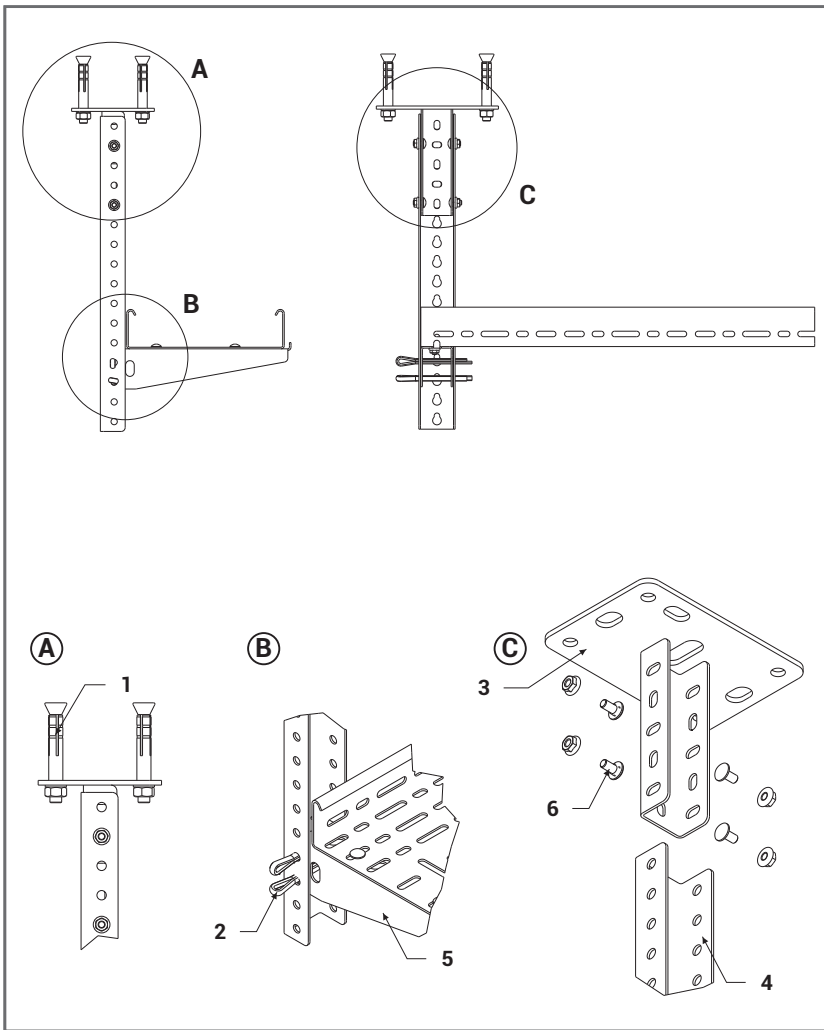
TP 109

No	Description	Number of pieces in the system	Remark	Ref. Page
1	EAE Steel Dowel	2	M10	Refer to page 80.
2	Cotter Pin	4	M6 x 12 Extension Bolt can also be used.	Refer to page 82.
3	TMP 44 Ceiling Support Unit	1	The length "L" may vary.	Refer to page 67.
4	KT Console	2	Available for 050-600 mm width.	Refer to page 66.
5	M6 x 12 Extension Bolt	4	-	Refer to page 82.

▶▶ CEILING TYPE BRACKET SYSTEMS

▶ MODEL APPLICATIONS

TP 110

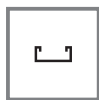


Application:



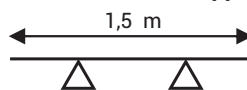
Roof

Used Product:



Cable Tray

Recommended Support Range



Warning:

- If the length of the ASU 2A is more than 1 m, a load calculation is required.

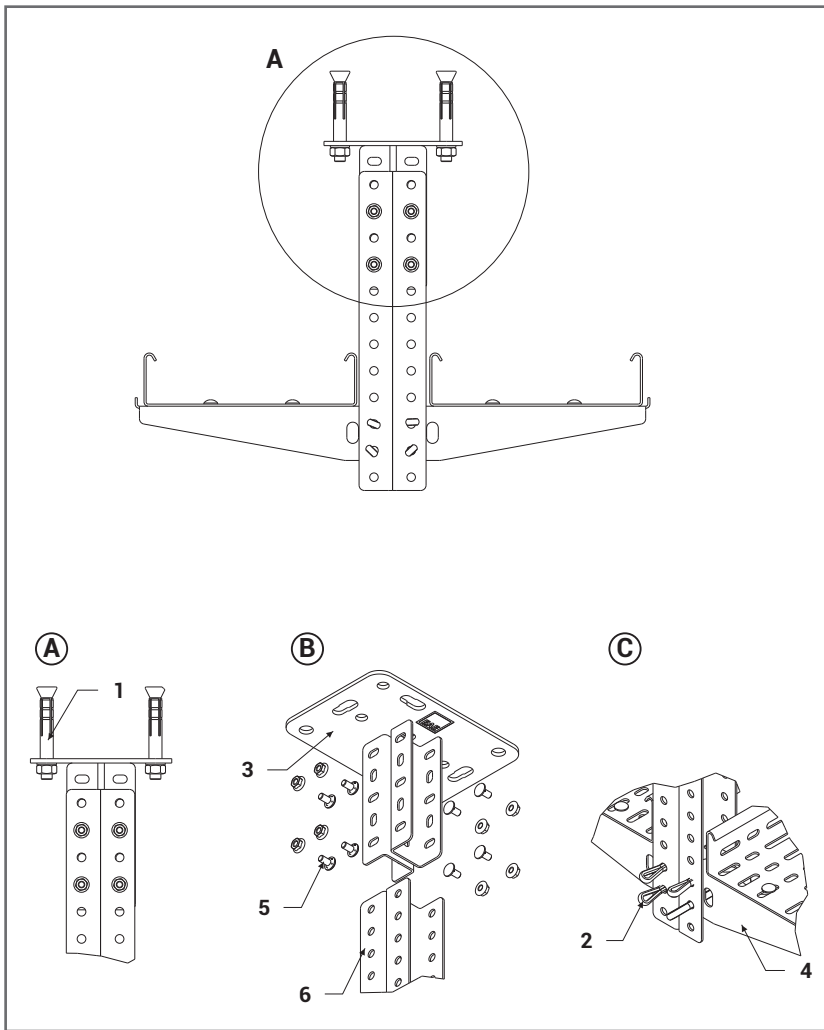
TP 110

No	Description	Number of pieces in the system	Remark	Ref. Page
1	EAE Steel Dowel	2	M10	Refer to page 80.
2	Cotter Pin	2	M6 x 12 Extension Bolt can also be used.	Refer to page 82.
3	TMP8 Ceiling Support Unit	1	-	Refer to page 67.
4	ASU 2A-4	1	The length "L" may vary.	Refer to page 68.
5	KT Console	1	Available for 050-600 mm width.	Refer to page 66.
6	M6 x 12 Extension Bolt	6	-	Refer to page 82.

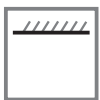
▶▶ CEILING TYPE BRACKET SYSTEMS

▶ MODEL APPLICATIONS

TP 111

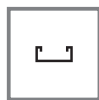


Application:



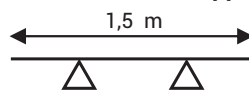
Roof

Used Product:



Cable Tray

Recommended Support Range



Warning:

- If the length of the product # 3 is more than 1 m, a load calculation is required

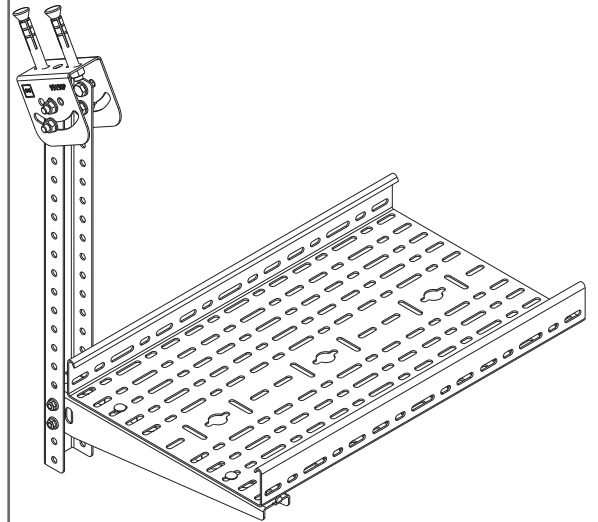
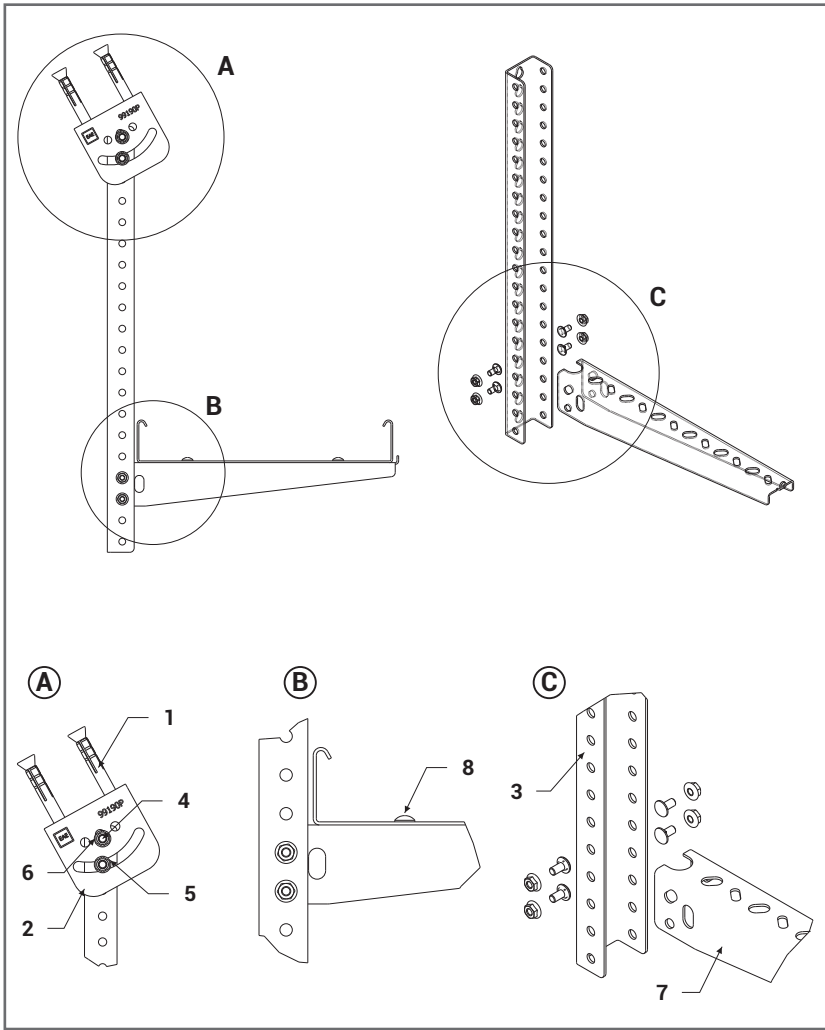
TP 111

No	Description	Number of pieces in the system	Remark	Ref. Page
1	EAE Steel Dowel	2	M10	Refer to page 80.
2	Cotter Pin	4	M6 x 12 Extension Bolt can also be used.	Refer to page 82.
3	TMP9 Ceiling Support Unit	1	-	Refer to page 67.
4	KT Console	2	Its length may vary between 50-600 mm according to the tray width.	Refer to page 66.
5	M6 x 12 Extension Bolt	12	-	Refer to page 82.
6	ASU 2A-4	2	The length "L" may vary.	Refer to page 68.

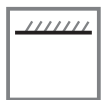
▶▶ CEILING TYPE BRACKET SYSTEMS

▶ MODEL APPLICATIONS

TP 112



Application:



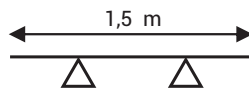
Roof

Used Product:



Cable Tray

Recommended Support Range



Warning:

- If the length of the ASU 2A is more than 1 m, a load calculation is required.

TP 112

No	Description	Number of pieces in the system	Remark	Ref. Page
1	EAE Steel Dowel	2	M10	Refer to page 80.
2	TMP6 Ceiling Support Unit	1	It can also be selected as 4 mm.	Refer to page 69.
3	ASU 2A	1	The length "L" may vary.	Refer to page 68.
4	M8X20 Bolt	4	-	Refer to page 79.
5	M8 Nut	4	-	Refer to page 79.
6	M8 Washer	8	-	Refer to page 79.
7	KT Console	1	Its length may vary between 50-600mm according to the tray width.	Refer to page 66.
8	M6 x 12 Extension Bolt	6	-	Refer to page 82.

► MODEL APPLICATIONS

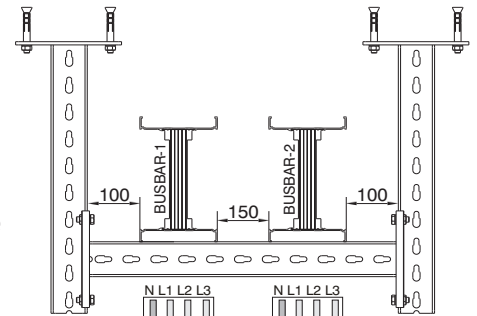
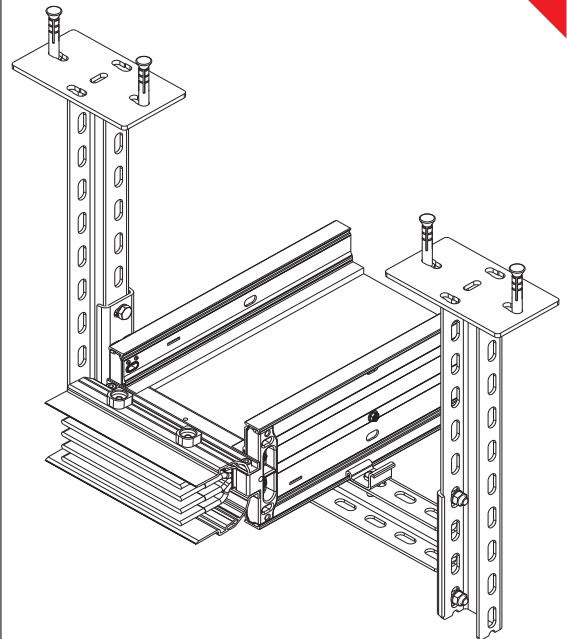
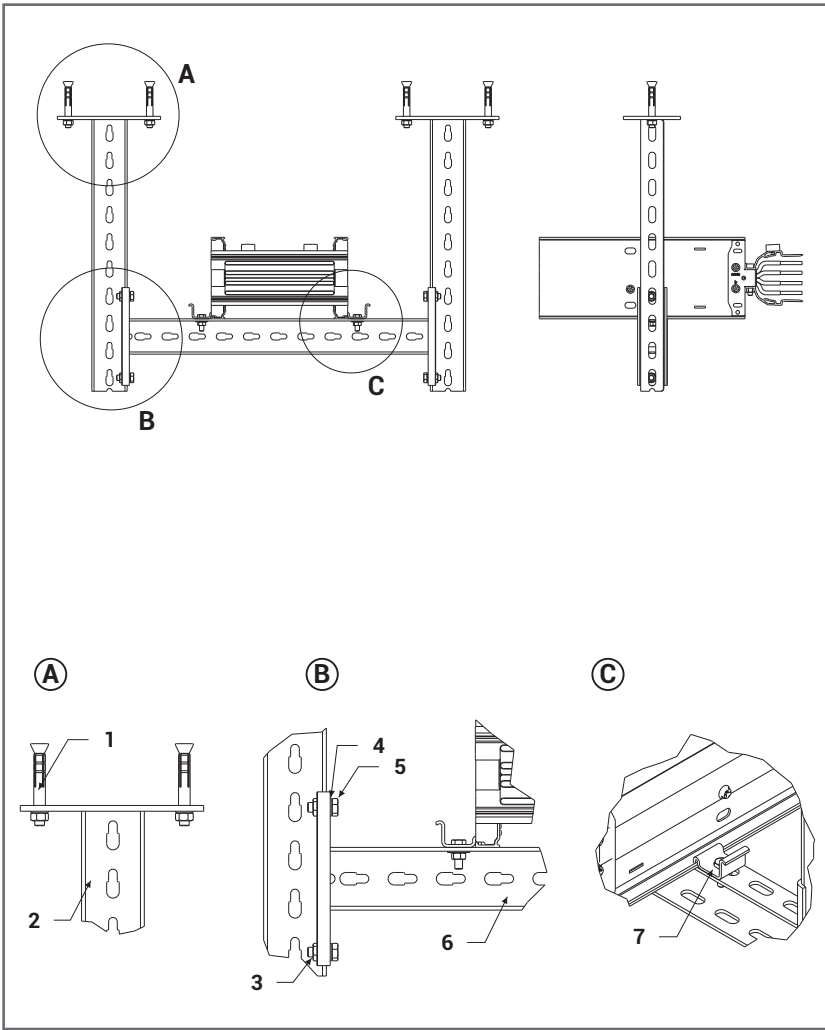


Figure 1

Application:



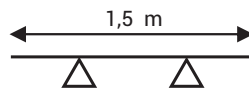
Roof

Used Product:



Busbar

Recommended Support Range



Warning:

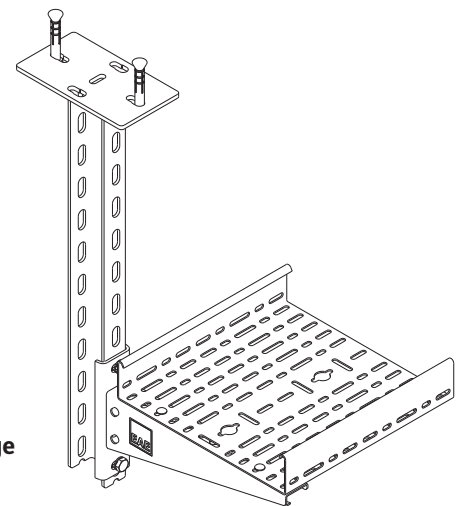
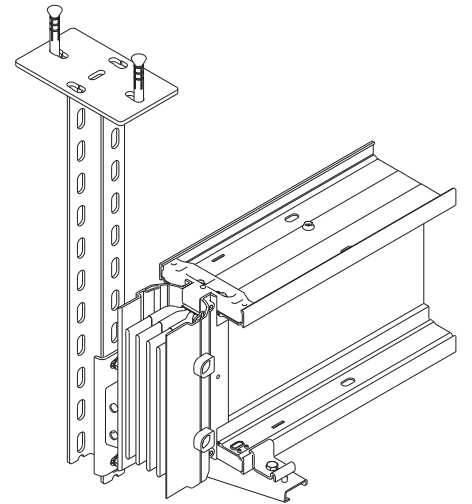
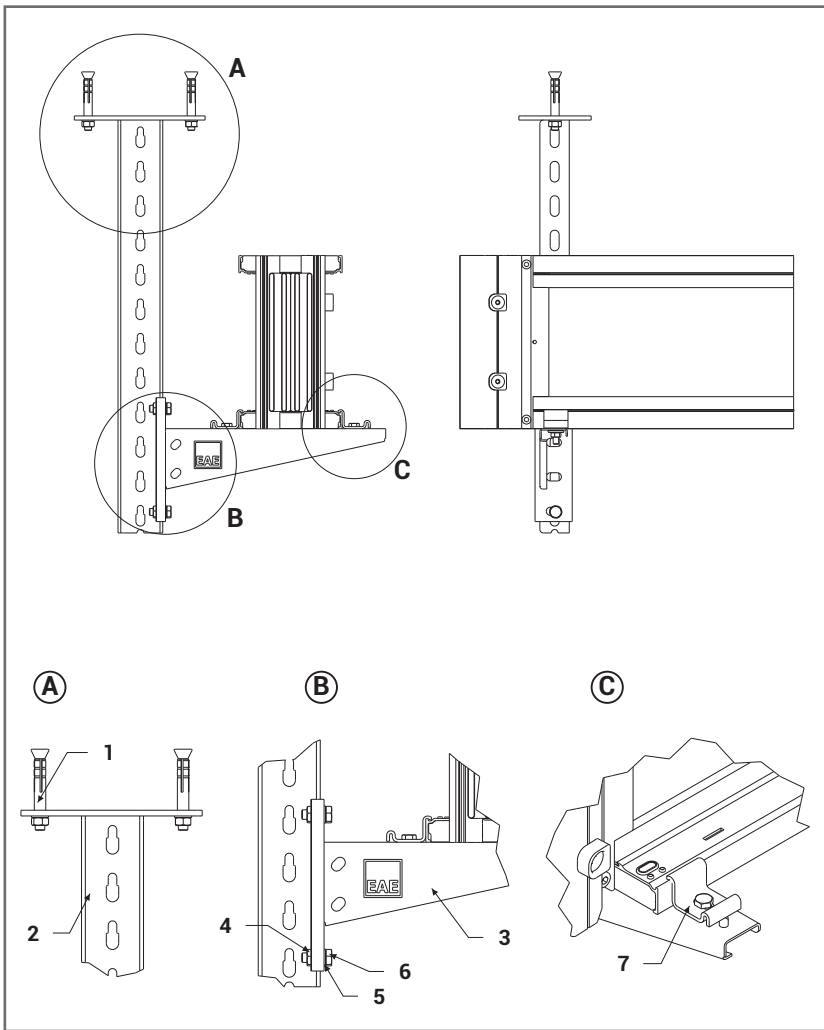
■ Where 2 or more busbars are to be used side by side, the installation spacing rules in Figure 1 should be followed.

TP 113

No	Description	Number of pieces in the system	Remark	Ref. Page
1	EAE Steel Dowel	4	(M10-M12)	Refer to page 80.
2	UPD Ceiling Support Unit	2	Length may vary between 300mm-3000mm	Refer to page 69.
3	M10 Nut	4	-	Refer to page 79.
4	M10 Washer	8	-	Refer to page 79.
5	M10 Bolt	4	-	Refer to page 79.
6	UDYB Console	1	300mm-1000mm may vary according to requirement	Refer to page 69.
7	KX Angle Bracket Fittings	2	-	Refer to page 83.

►► CEILING TYPE BRACKET SYSTEMS

► MODEL APPLICATIONS



Application:

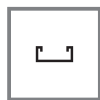


Roof

Used Product:

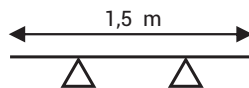


Busbar



Cable Tray

Recommended Support Range



Warning:

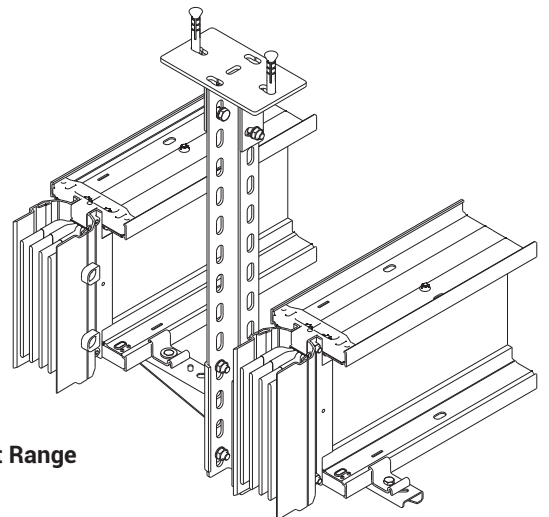
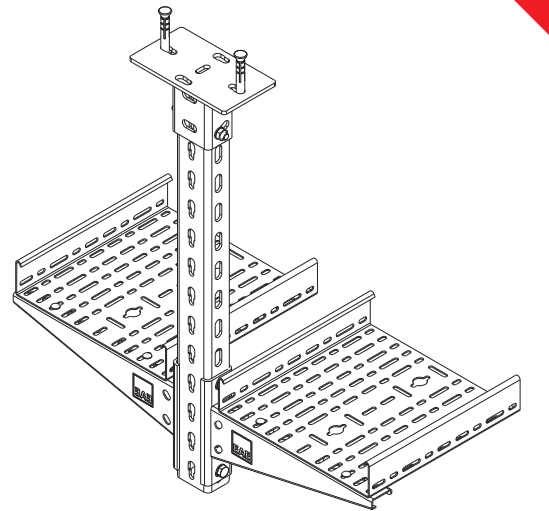
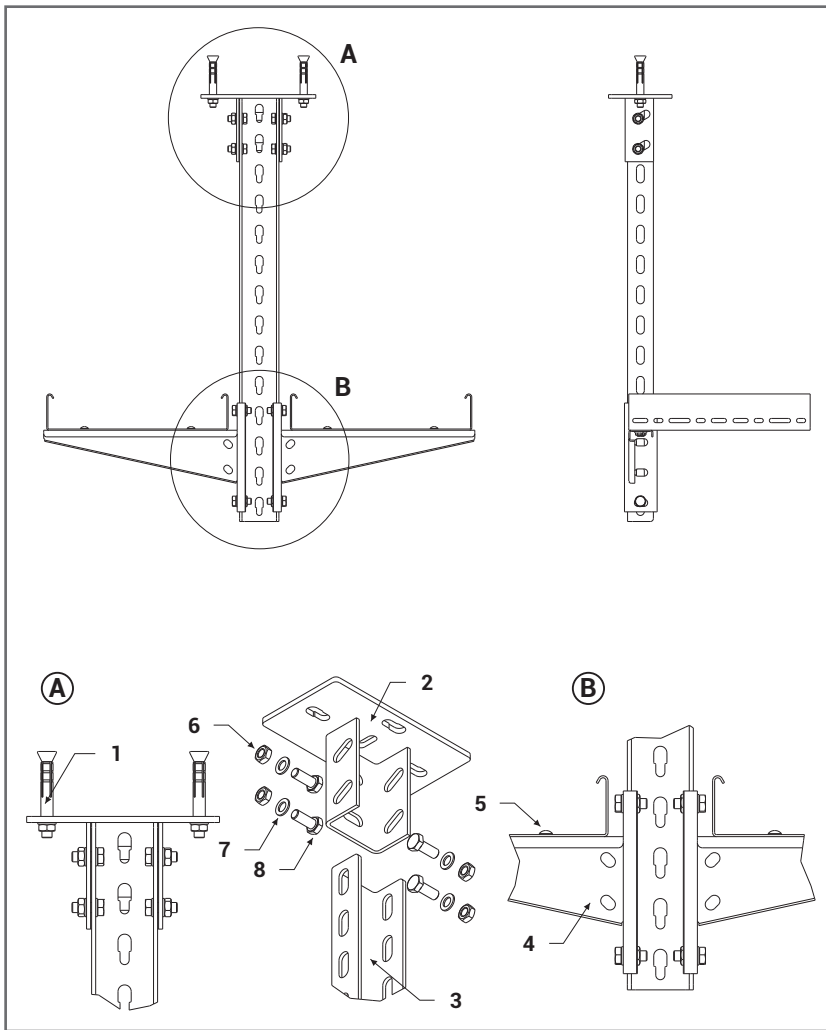
- M6X12 bolt assembly should be ordered if cable tray installation is to be performed in the system.
- Max. available up to KXA2500A and KXC2000A. It is not applicable for bigger busbars.
- If the length of the UPD is more than 1 m, a load calculation is required.

TP 114

No	Description	Number of pieces in the system	Remark	Ref. Page
1	EAE Steel Dowel	2	M10-M12	Refer to page 80.
2	UPD Ceiling Fixing Element	1	Length may vary between 300 mm - 3000 mm	Refer to page 69.
3	STS Console	1	A console with a size of 100-600mm can be selected.	Refer to page 66.
4	M10 Nut	2	-	Refer to page 79.
5	M10 Washer	4	-	Refer to page 79.
6	M10 Bolt	2	-	Refer to page 79.
7	KX Angle Bracket Fittings	2	-	Refer to page 83.

►► CEILING TYPE BRACKET SYSTEMS

► MODEL APPLICATIONS



Application:

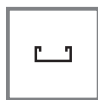


Roof

Used Product:

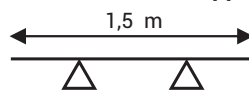


Busbar



Cable Tray

Recommended Support Range



Warning:

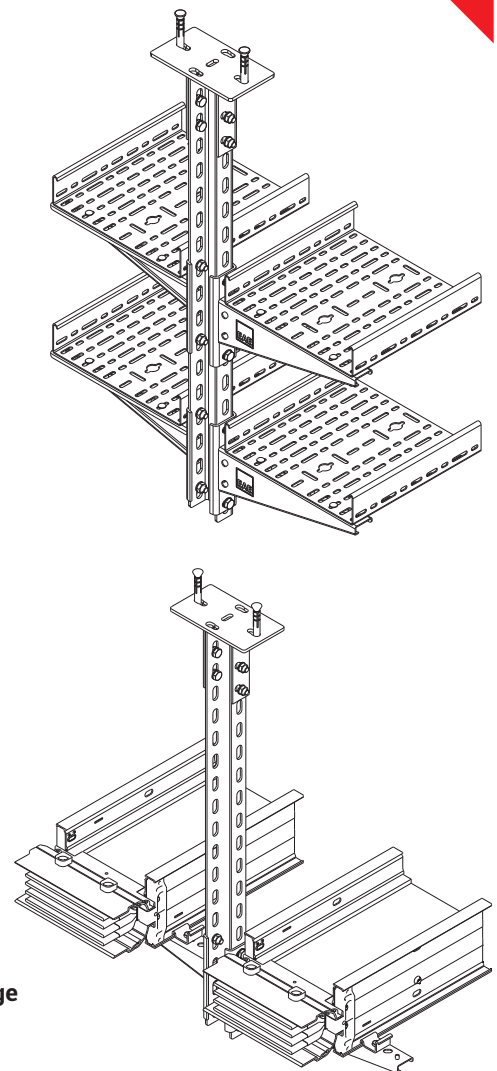
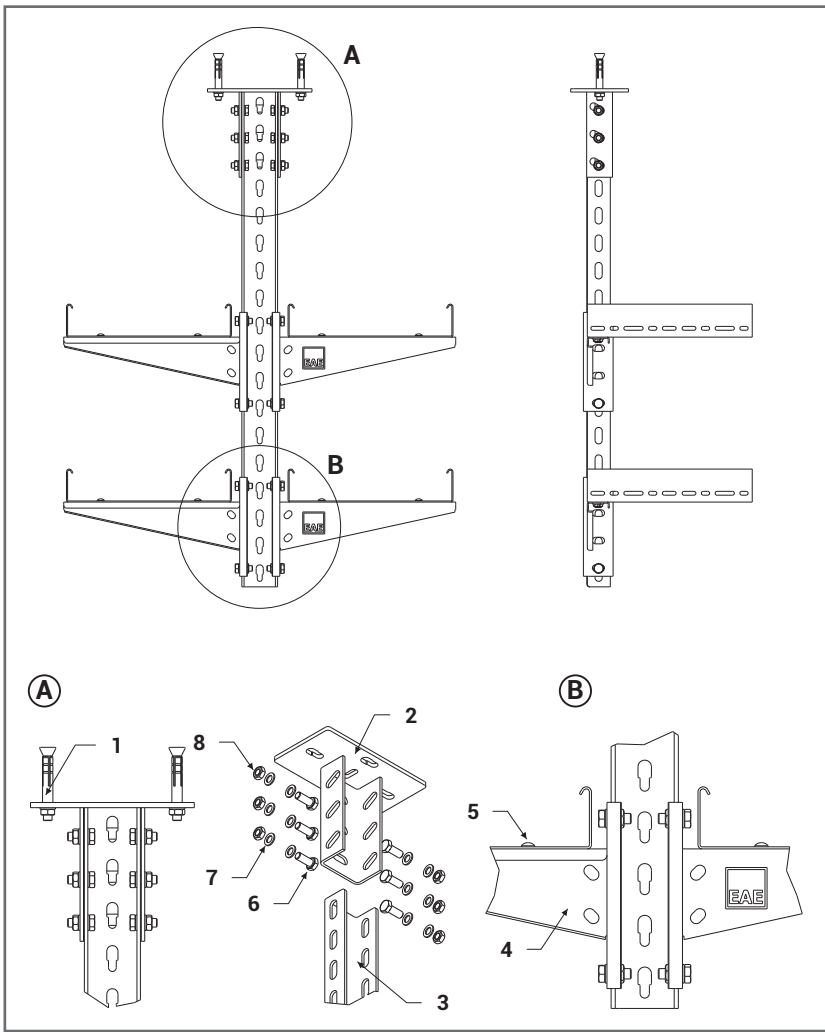
- KX angle bracket fittings should be ordered when a busbar will be installed to the system.
- Max. available up to KXA2500A and KXC2000A. It is not applicable for bigger busbars.
- If the length of the UPY console length is more than 1 m, a load calculation is required.

TP 115

No	Description	Number of pieces in the system	Remark	Ref. Page
1	EAE Steel Dowel	2	M10-M12	Refer to page 80.
2	TMP 2 Ceiling Fixing Element	1	-	Refer to page 67.
3	UPY Console	1	Length may vary up to 3000 mm according to demand and requirement.	Refer to page 70.
4	STS Console	2	Available for 100-600mm width.	Refer to page 66.
5	M6 X 12 Bolt Set	4	-	Refer to page 82.
6	M10 Nut	8	-	Refer to page 79.
7	M10 Washer	16	-	Refer to page 79.
8	M10 Bolt	8	-	Refer to page 79.

►► CEILING TYPE BRACKET SYSTEMS

► MODEL APPLICATIONS



Application:



Roof

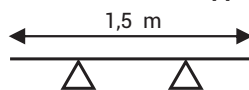
Used Product:



Busbar

Cable Tray

Recommended Support Range



Warning:

- KX angle bracket fittings should be ordered when a busbar will be installed to the system.
- Max. available up to KXA2500A and KXC2000A. It is not applicable for bigger busbars.
- If the length of the UPY console length is more than 1 m, a load calculation is required.

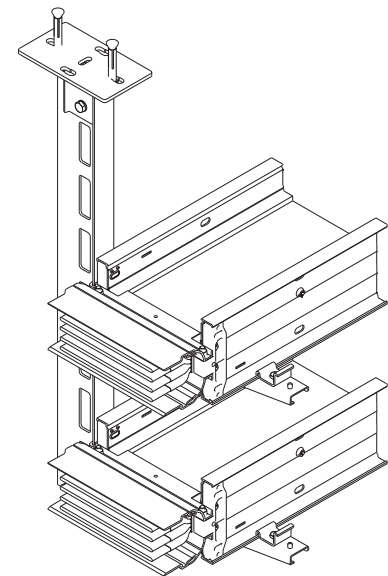
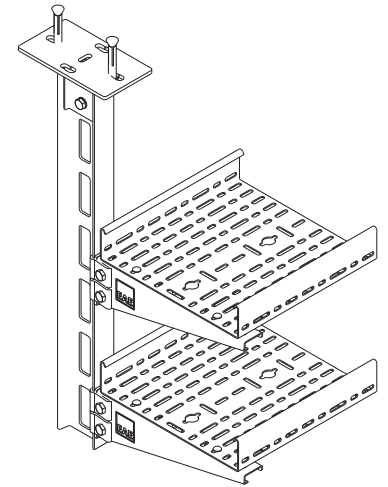
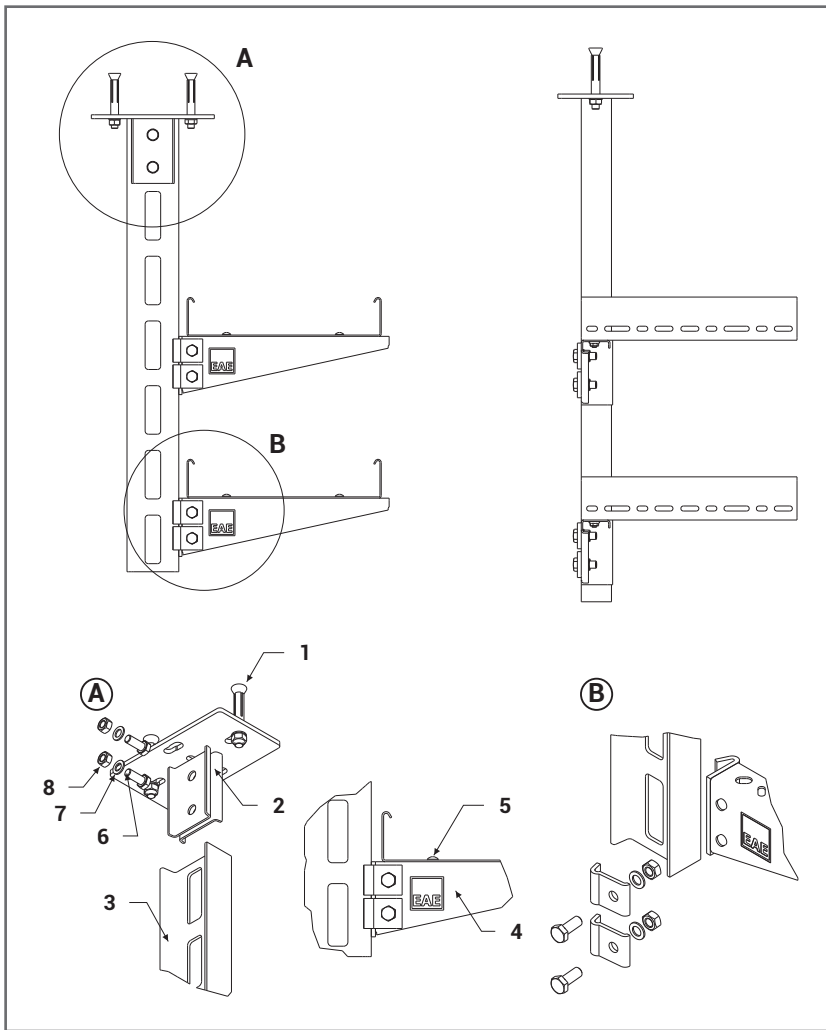
TP 116

No	Description	Number of pieces in the system	Remark	Ref. Page
1	EAE Steel Dowel	2	M10-M12	Refer to page 80.
2	TMP 3 Ceiling Fixing Element	1	-	Refer to page 67.
3	UPY Console	1	Length may vary up to 3000mm according demand and requirement.	Refer to page 70.
4	STS Console	4	Available for 100-600 mm width.	Refer to page 66.
5	M6 X 12 Bolt Set	8	-	Refer to page 82.
6	M10 Bolt	14	-	Refer to page 79.
7	M10 Washer	28	-	Refer to page 79.
8	M10 Nut	14	-	Refer to page 79.

►► CEILING TYPE BRACKET SYSTEMS

► MODEL APPLICATIONS

TP 117



Application:

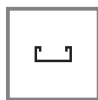


Roof

Used Product:

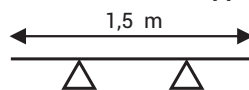


Busbar



Cable Tray

Recommended Support Range



Warning:

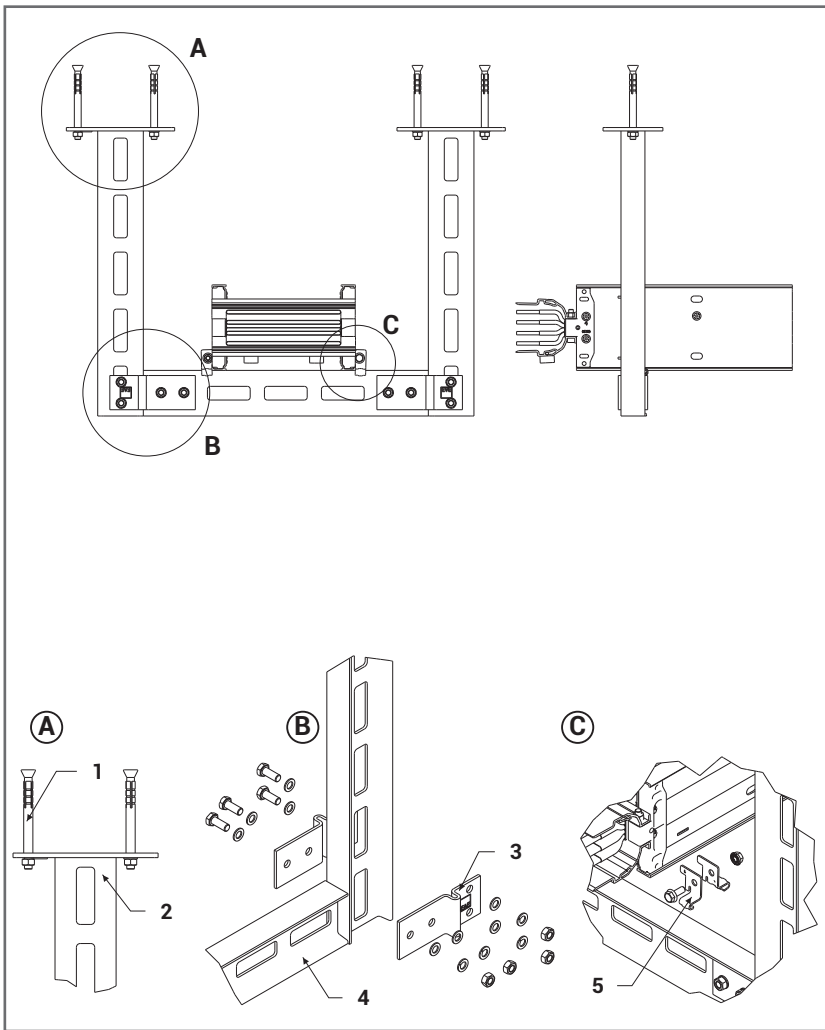
- KX angle bracket fittings should be ordered when a busbar will be installed to the system.
- Max. available up to KXA2500A and KXC2000A. It is not applicable for bigger busbars.
- If the length of the IDY console length is more than 1 m, a load calculation is required.

TP 117

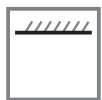
No	Description	Number of pieces in the system	Remark	Ref. Page
1	EAE Steel Dowel	2	M10-M12	Refer to page 80.
2	TMP7	1	-	Refer to page 70.
3	IDY Console	1	Length may vary up to 3000 mm according to demand and requirement.	Refer to page 65.
4	STK Console	2	Available for 100-600 mm width.	Refer to page 71.
5	M6 X 12 Bolt Set	2	-	Refer to page 82.
6	M10 Bolt	2	M10	Refer to page 79.
7	M10 Washer	4	M10	Refer to page 79.
8	M10 Nut	2	M10	Refer to page 79.

►► CEILING TYPE BRACKET SYSTEMS

► MODEL APPLICATIONS



Application:



Roof

Used Product:



Busbar

Recommended Support Range

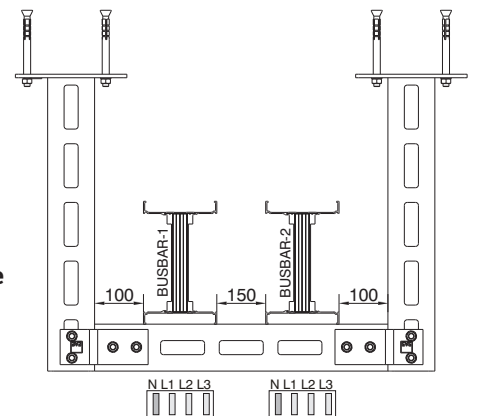
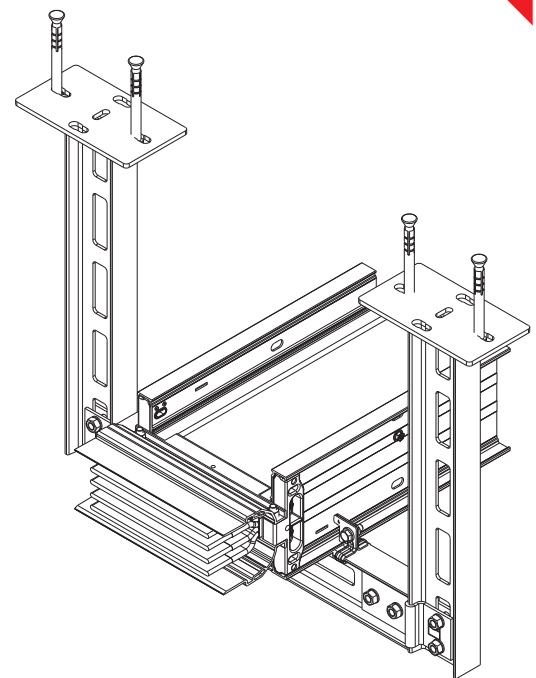
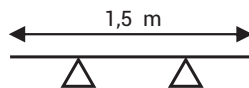


Figure 1

Warning:

- Where 2 or more busbars are to be used side by side, the installation spacing rules in Figure 1 should be followed.

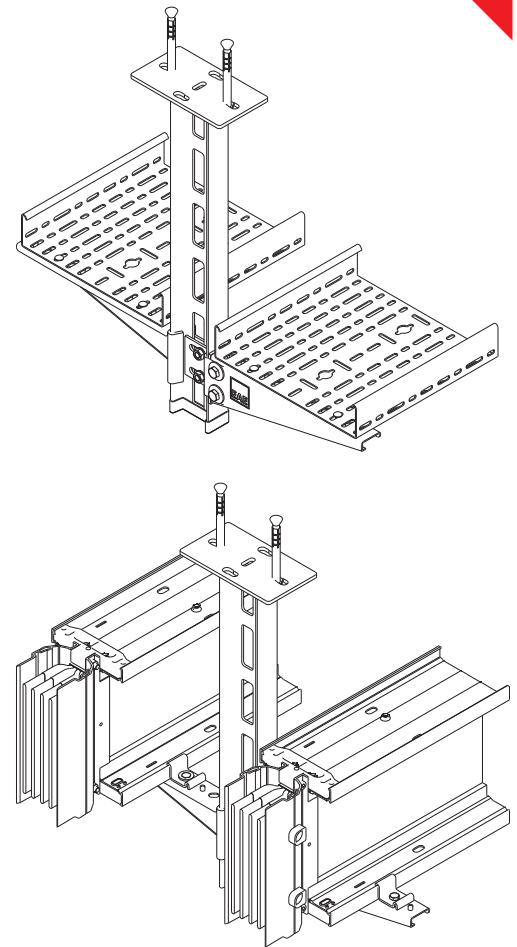
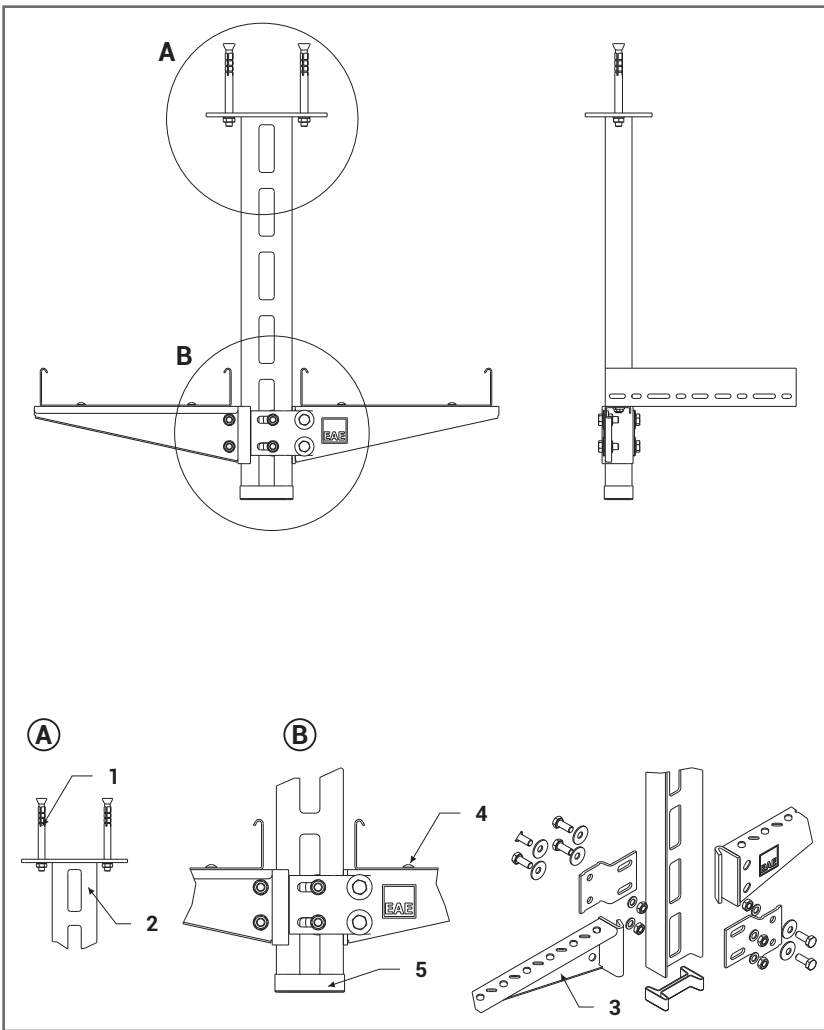
TP 118

No	Description	Number of pieces in the system	Remark	Ref. Page
1	EAE Steel Dowel	4	M10-M12	Refer to page 80.
2	IDD Ceiling Fixing Element	2	Length may vary up to 3000mm according to demand and requirement.	Refer to page 72.
3	IDT Additional Member Set	2	-	Refer to page 72.
4	IDY Console	1	Its length may vary according to the tray width.	Refer to page 65.
5	KX/KB IDY Retaining Kit	2	-	Refer to page 83.

►► CEILING TYPE BRACKET SYSTEMS

► MODEL APPLICATIONS

TP 119



Application:

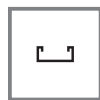


Roof

Used Product:

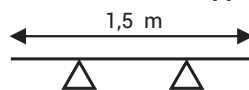


Busbar



Cable Tray

Recommended Support Range



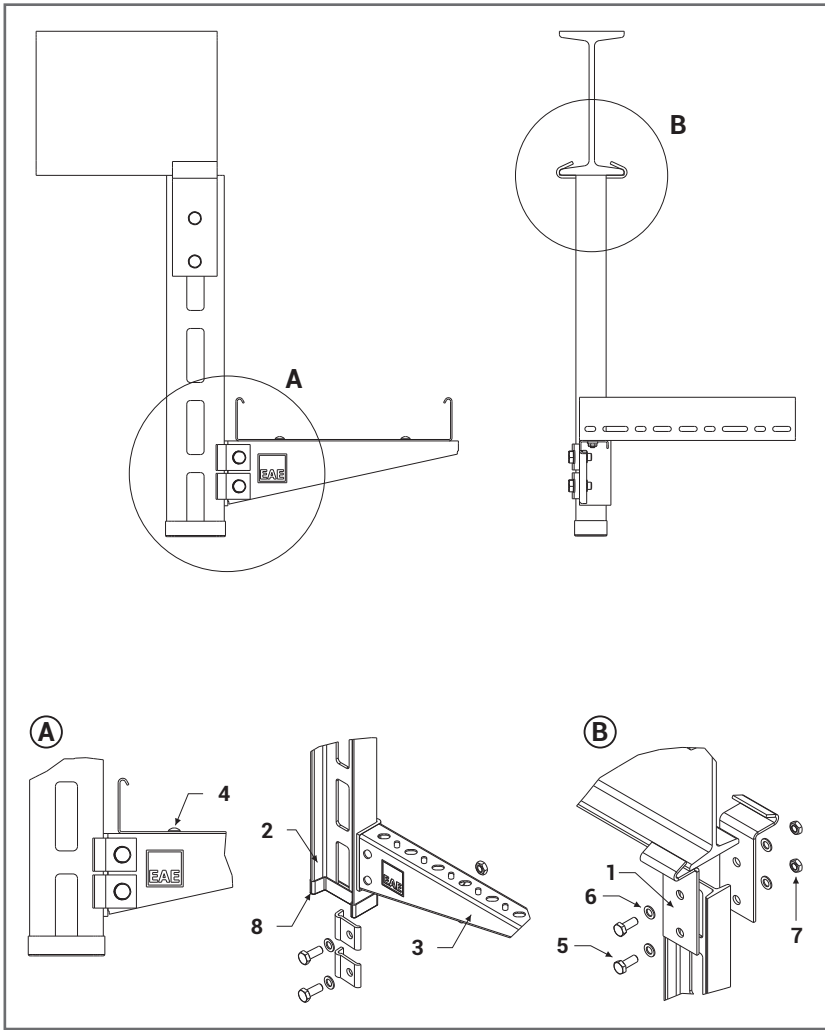
Warning:

■ KX angle bracket fittings should be ordered when a busbar will be installed to the system.

TP 119

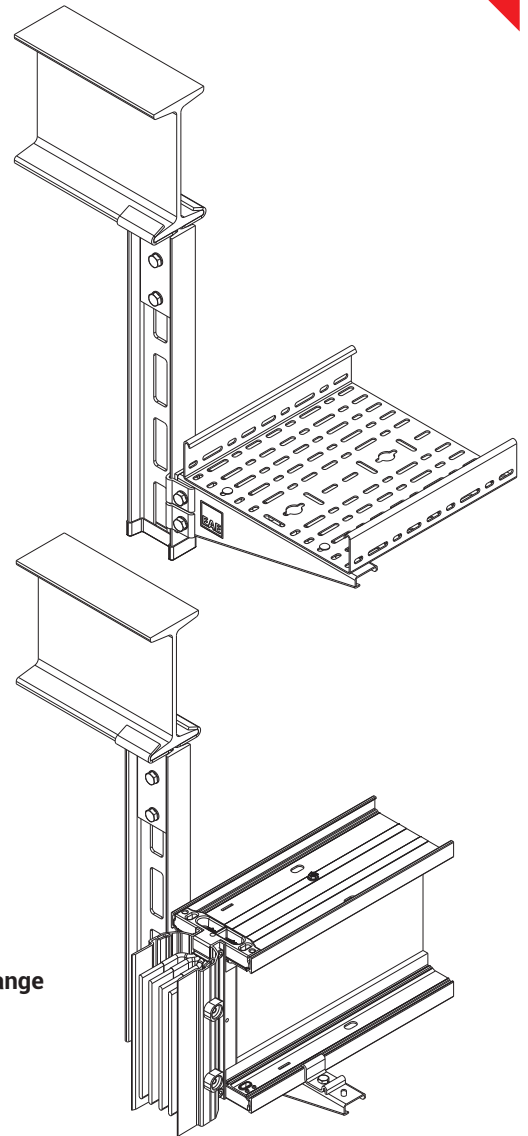
No	Description	Number of pieces in the system	Remark	Ref. Page
1	EAE Steel Dowel	2	M10-M12	Refer to page 80.
2	IDD Ceiling Fixing Element	1	Length may vary up to 3000mm according to demand and requirement.	Refer to page 72.
3	STK-M Console	2	Available for 100-600mm width.	Refer to page 71.
4	M6 X 12 Bolt Set	4	-	Refer to page 82.
5	IDY Protective Cap	1	-	Refer to page 72.

►► CEILING TYPE BRACKET SYSTEMS



► MODEL APPLICATIONS

TP 120



Application:

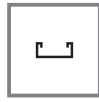


Steel
Construction

Used Product:

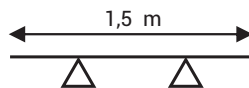


Busbar



Cable Tray

Recommended Support Range



Warning:

- KX angle bracket fittings should be ordered when a busbar will be installed to the system.
- Max. available up to KXA2500A and KXC2000A. It is not applicable for bigger busbars.

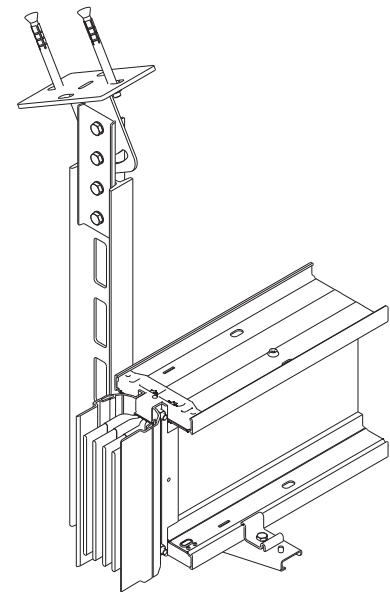
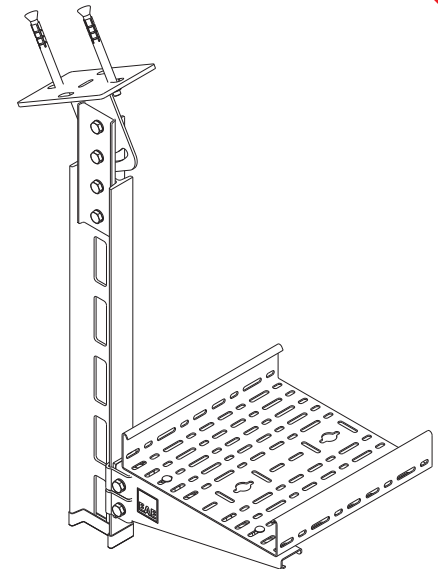
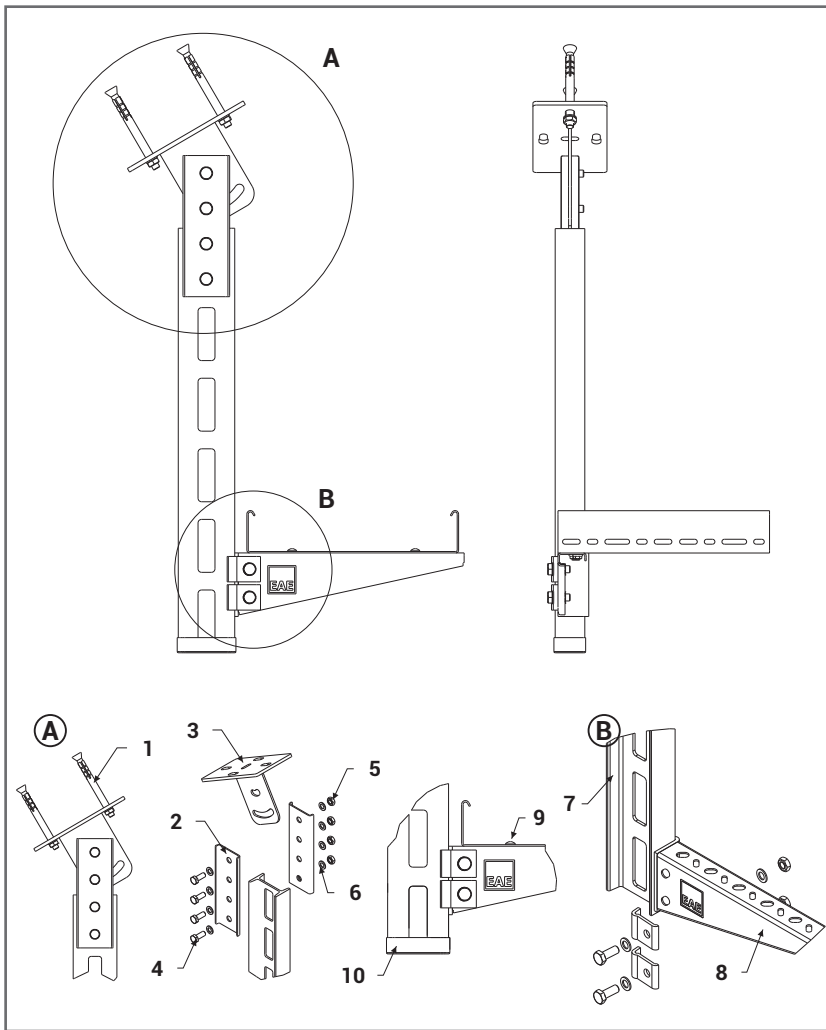
TP 120

No	Description	Number of pieces in the system	Remark	Ref. Page
1	ITP Retainer	1	Production is performed according to the "I" iron width.	Refer to page 72.
2	IDY Console	1	Length may vary up to 3000mm according to demand and requirement.	Refer to page 65.
3	STK Console	1	Available for 100-600mm width.	Refer to page 71.
4	M6X12 Bolt Set	2	-	Refer to page 82.
5	M10X30 Bolt	2	-	Refer to page 79.
6	M10 Washer	4	-	Refer to page 79.
7	M10 Nut	2	-	Refer to page 79.
8	IDY Protective Cap	1	-	Refer to page 72.

►► CEILING TYPE BRACKET SYSTEMS

► MODEL APPLICATIONS

TP 121



Application:

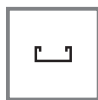


Roof

Used Product:

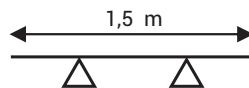


Busbar



Cable Tray

Recommended Support Range



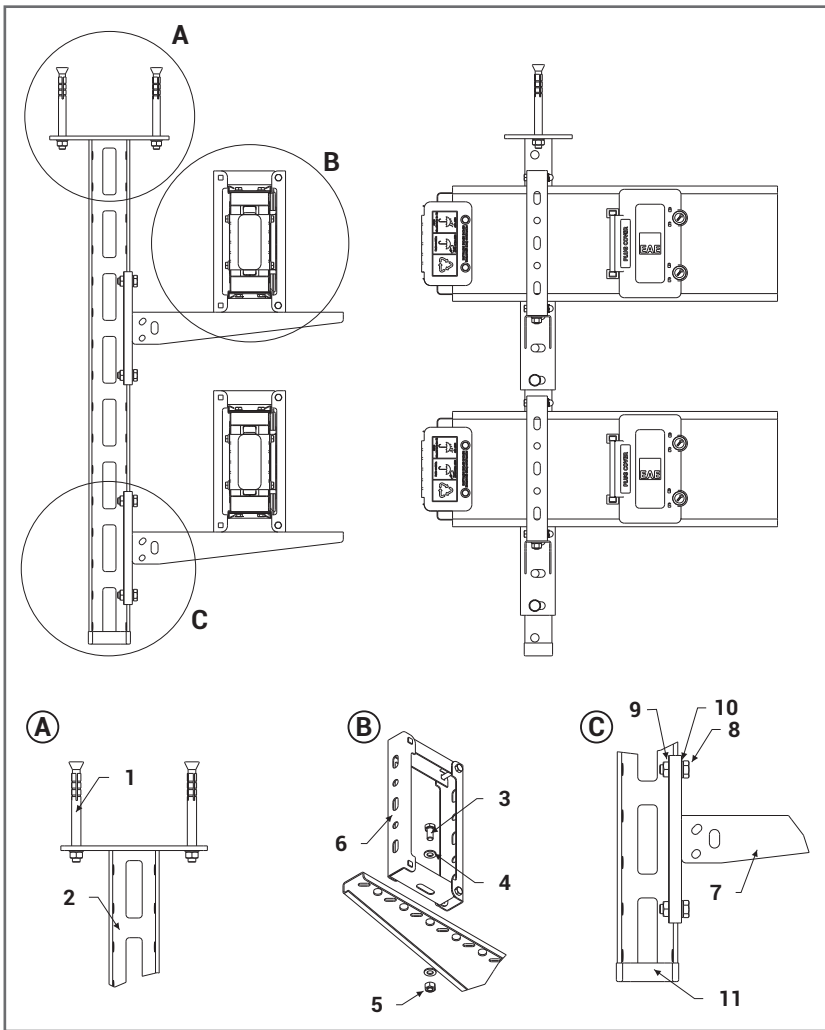
Warning:

- KX angle bracket fittings should be ordered when a busbar will be installed to the system.
- If the length of the IDY console length is more than 1 m, a load calculation is required.

TP 121

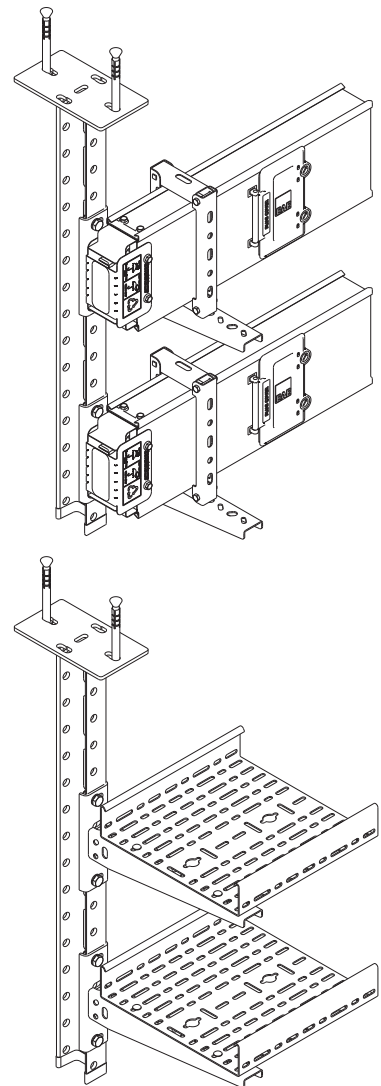
No	Description	Number of pieces in the system	Remark	Ref. Page
1	EAE Steel Dowel	2	M10-M12	Refer to page 80.
2	I-80 "I" Profile Add.	2	-	Refer to page 72.
3	TMP10	1	-	Refer to page 70.
4	M10 Bolt	4	-	Refer to page 79.
5	M10 Nut	4	-	Refer to page 79.
6	M10 Washer	8	-	Refer to page 79.
7	IDY Console	1	Length may be extended up to 3000 mm according to weight and use.	Refer to page 65.
8	STK Console	1	Available for 100-600mm width.	Refer to page 71.
9	M6X12 Bolt Set	2	-	Refer to page 82.
10	IDY Protective Cap	1	-	Refer to page 72.

►► CEILING TYPE BRACKET SYSTEMS



► MODEL APPLICATIONS

TP 122



Application:



Roof

Used Product:

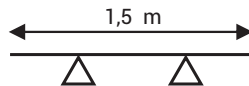


Busbar



Cable Tray

Recommended Support Range



Warning:

- M6X12 bolt assembly should be ordered if cable tray installation is to be performed in the system.
- If the length of the IDY console length is more than 1 m, a load calculation is required.

TP 122

No	Description	Number of pieces in the system	Remark	Ref. Page
1	EAE Steel Dowel	2	M10-M12	Refer to page 80.
2	UDD Console	1	Length may be extended up to 3000 mm according to weight and use.	Refer to page 73.
3	M8 X 20 Bolt	2	-	Refer to page 79.
4	M8 Washer	4	-	Refer to page 79.
5	M8 Nut	2	-	Refer to page 79.
6	KO Universal Retainer	2	-	Refer to page 83.
7	STS Console	2	Available for 100-600mm width.	Refer to page 66.
8	M10 Bolt	4	-	Refer to page 79.
9	M10 Nut	4	-	Refer to page 79.
10	M10 Washer	8	-	Refer to page 79.
11	UDY Protective Cap	1	-	Refer to page 73.

▶▶ CEILING TYPE BRACKET SYSTEMS

▶ MODEL APPLICATIONS

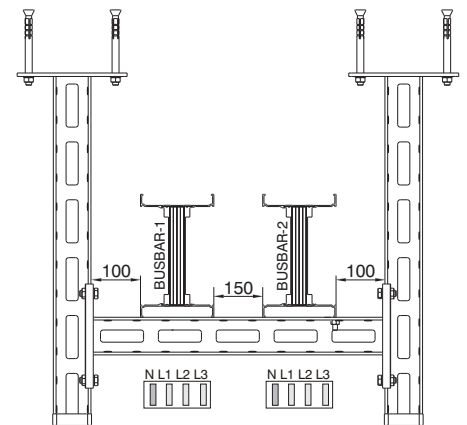
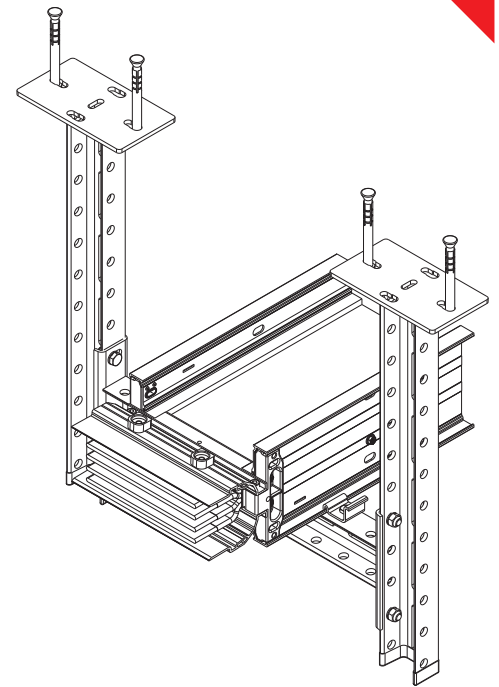
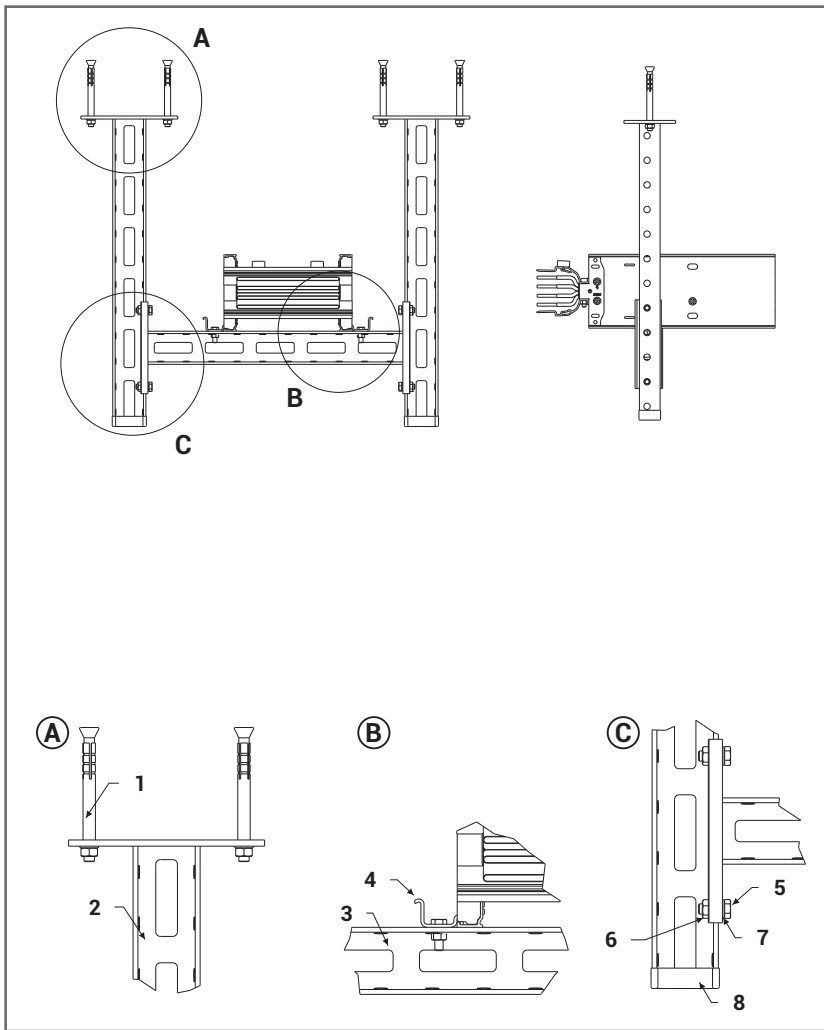


Figure 1

Application:



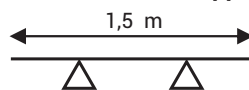
Roof

Used Product:



Busbar

Recommended Support Range



Warning:

■ Where 2 or more busbars are to be used side by side, the installation spacing rules in Figure 1 should be followed.

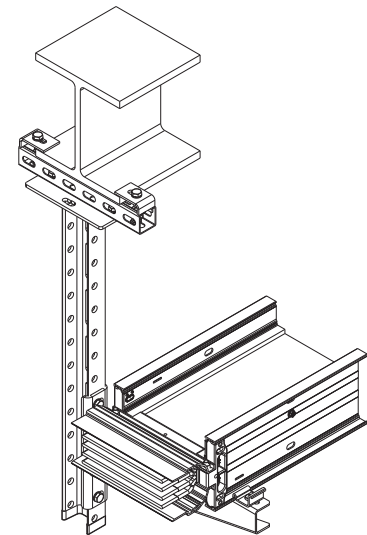
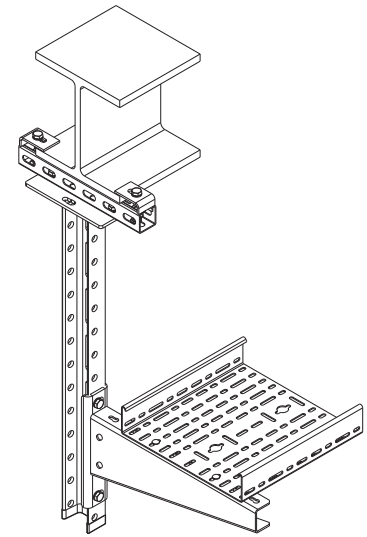
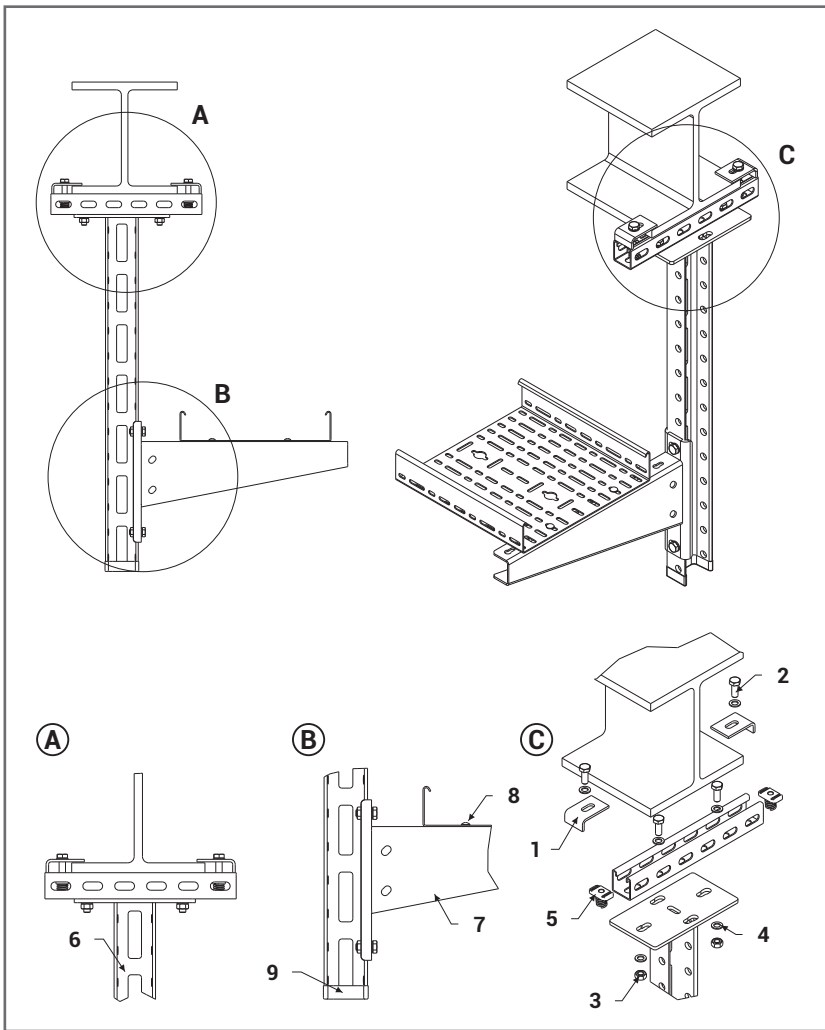
TP 123

No	Description	Number of pieces in the system	Remark	Ref. Page
1	EAE Steel Dowel	4	M10-M12	Refer to page 80.
2	UDD Console	2	Length may be extended up to 3000mm according to weight and use.	Refer to page 73.
3	UDYB Console	1	Width can be extended according to the product width	Refer to page 69.
4	KX Angle Bracket Fittings	2	-	Refer to page 83.
5	M10 Bolt	4	-	Refer to page 79.
6	M10 Nut	4	-	Refer to page 79.
7	M10 Washer	8	-	Refer to page 79.
8	UDY Protective Cap	2	-	Refer to page 73.

►► CEILING TYPE BRACKET SYSTEMS

TP 124

► MODEL APPLICATIONS



Application:

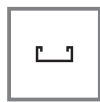


Steel
Construction

Used Product:

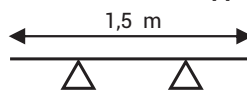


Busbar



Cable Tray

Recommended Support Range



Warning:

- KX angle bracket fittings can be ordered when a busbar will be installed to the system.
- Max. available up to KXA2500A and KXC2000A. It is not applicable for bigger busbars.
- If the length of the UDD console length is more than 1 m, a load calculation is required.

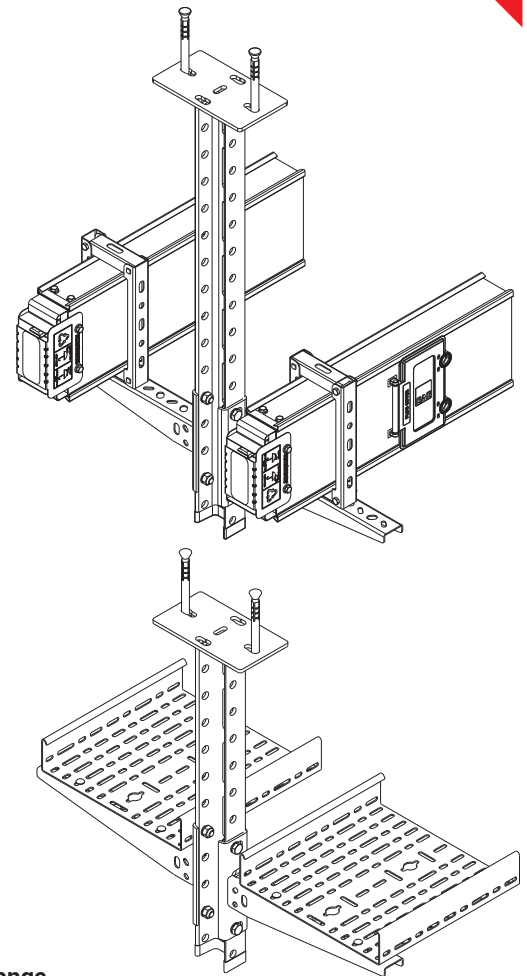
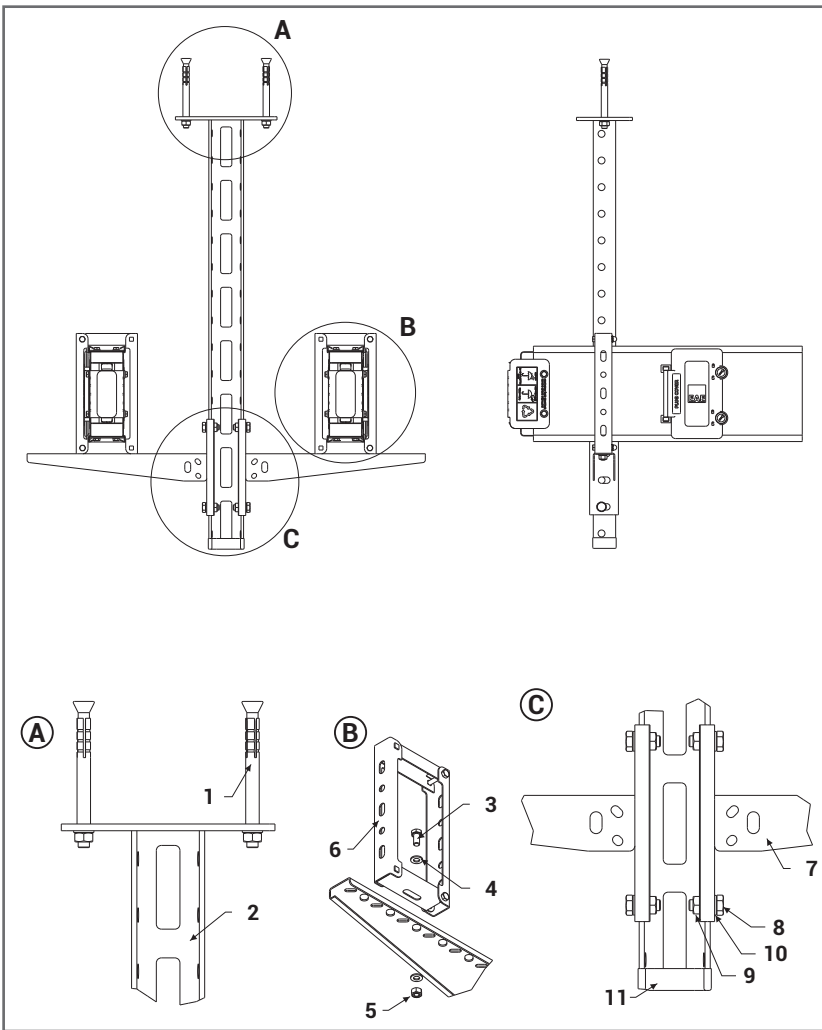
TP 124

No	Description	Number of pieces in the system	Remark	Ref. Page
1	Tp2 Retainer	2	-	Refer to page 72.
2	M10 Bolt	6	-	Refer to page 79.
3	M10 Nut	6	-	Refer to page 79.
4	M10 Washer	10	-	Refer to page 79.
5	M10 Spring Nut	2	-	Refer to page 79.
6	UDD Console	1	Length may be extended up to 3000mm according to weight and use.	Refer to page 73.
7	A-STC Console	1	Available for 210-1010mm width.	Refer to page 63.
8	M6 X 12 Extension Bolt	2	KX angle bracket fittings can be ordered when a busbar will be installed to the system.	Refer to page 82.
9	UDY Protective Cap	1	-	Refer to page 73.

►► CEILING TYPE BRACKET SYSTEMS

► MODEL APPLICATIONS

TP 125



Application:

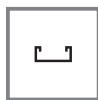


Roof

Used Product:

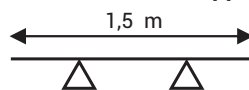


Busbar



Cable Tray

Recommended Support Range



Warning:

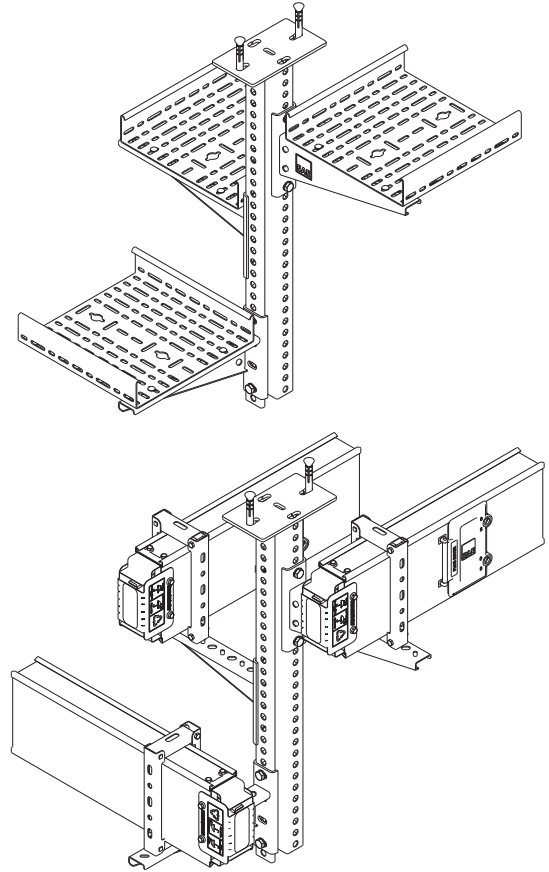
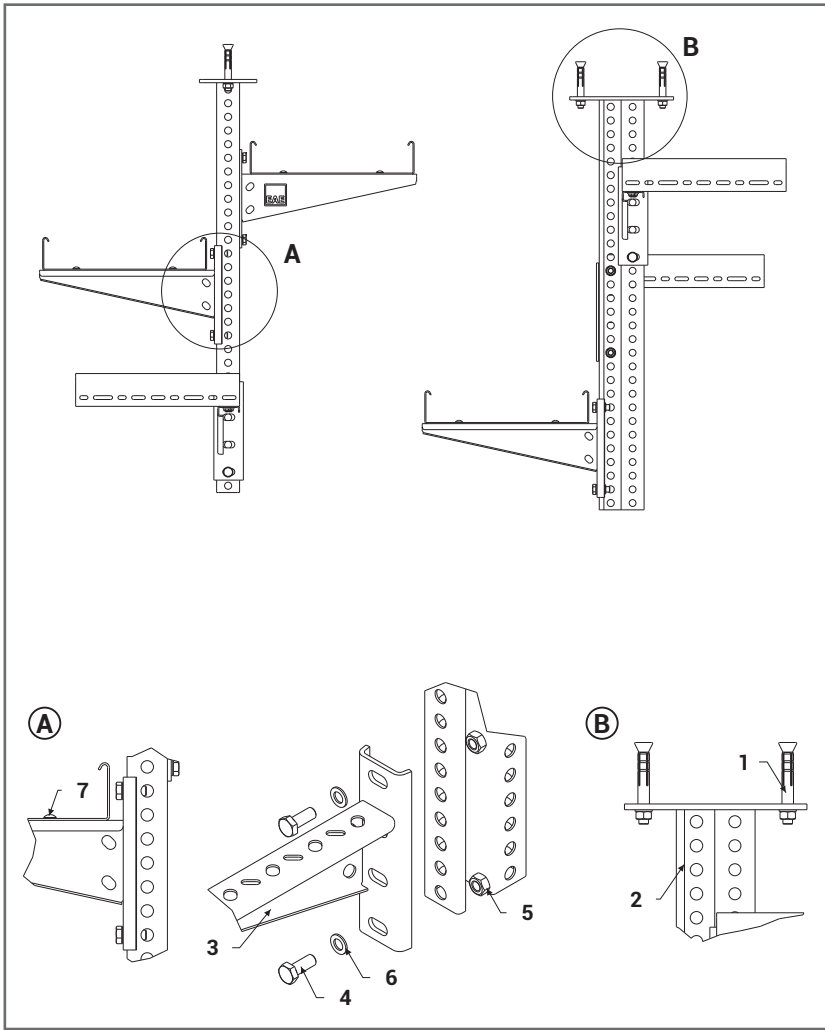
- M6X12 bolt assembly should be ordered if cable tray installation is to be performed in the system.

TP 125

No	Description	Number of pieces in the system	Remark	Ref. Page
1	EAE Steel Dowel	4	(M10-M12)	Refer to page 80.
2	UDD console	2	Length may vary up to 3000mm according to demand and requirement.	Refer to page 73.
3	M8 X 20 bolt	4	-	Refer to page 79.
4	M8 Washer	8	-	Refer to page 79.
5	M8 Nut	4	-	Refer to page 79.
6	KO Universal Retainer	1	Available for 100-600 width.	Refer to page 83.
7	STS Console	2	-	Refer to page 66.
8	M10 Bolt	4	-	Refer to page 79.
9	M10 Nut	4	-	Refer to page 79.
10	M10 Washer	8	-	Refer to page 79.
11	UDY Protective Cap	1	-	Refer to page 73.

►► CEILING TYPE BRACKET SYSTEMS

► MODEL APPLICATIONS



Application:

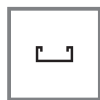


Roof

Used Product:

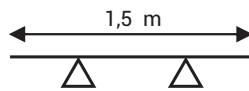


Busbar



Cable Tray

Recommended Support Range



Warning:

- If a busbar is to be installed in the system, M8x20 bolt, M8 nut, M8 washer should be ordered instead of KO Universal retainer and M6x12 bolt.
- If the length of the PDD console length is more than 1 m, a load calculation is required.

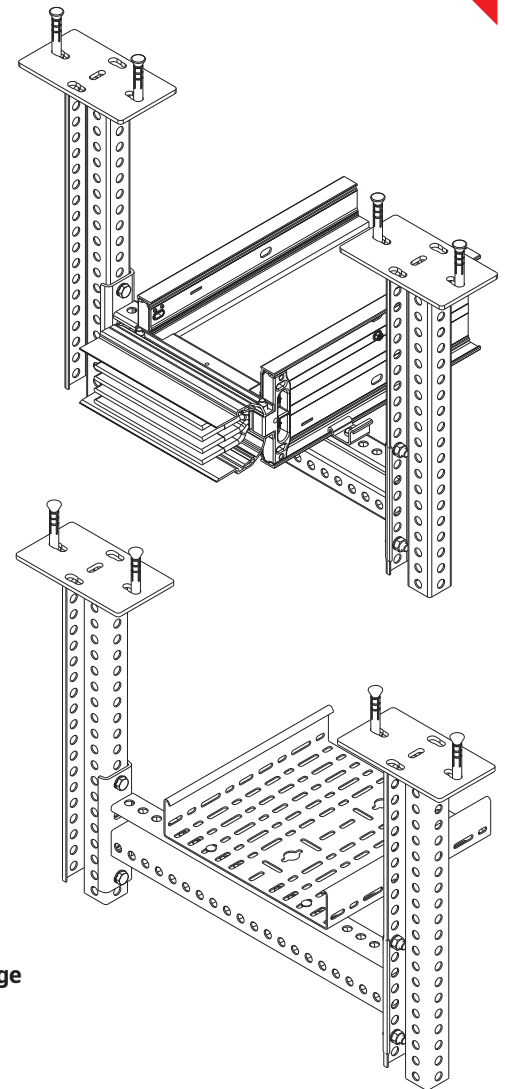
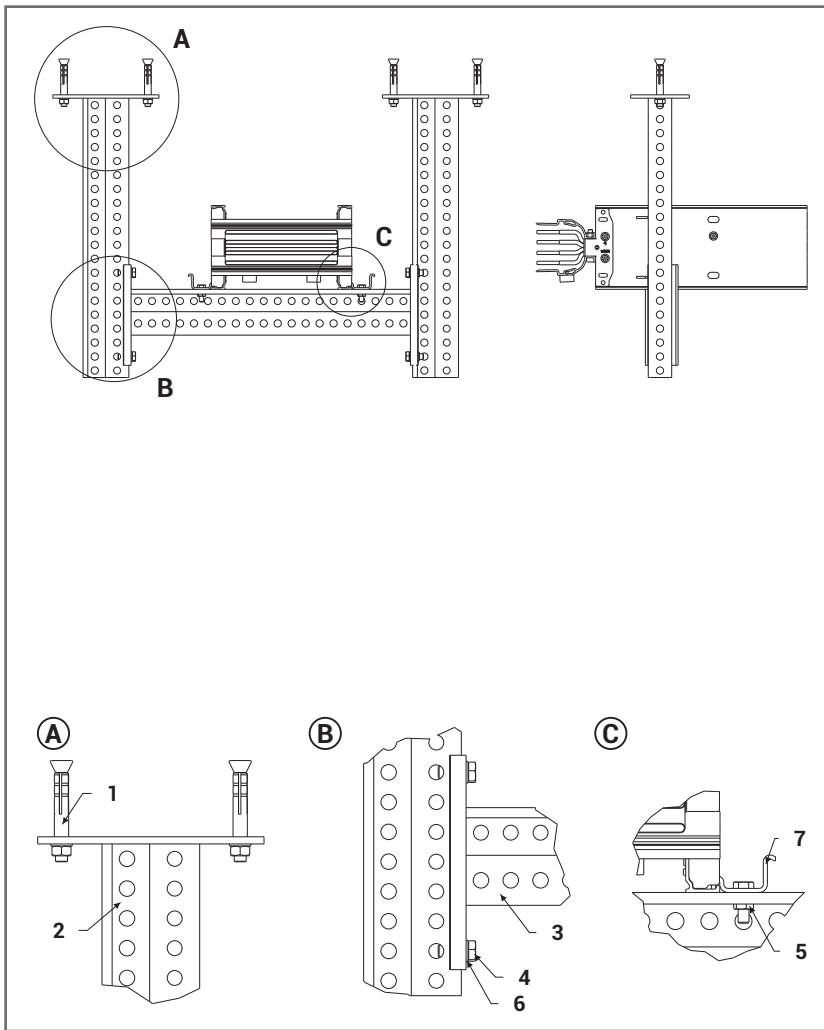
TP 126

No	Description	Number of pieces in the system	Remark	Ref. Page
1	EAE Steel Dowel	2	M10-M12	Refer to page 80.
2	PDD Console	1	Length may be extended up to 2000 mm according to weight and use.	Refer to page 74.
3	STS Console	3	Available for 100-600mm width.	Refer to page 66.
4	M10 Bolt	6	-	Refer to page 79.
5	M10 Nut	6	-	Refer to page 79.
6	M10 Washer	12	-	Refer to page 79.
7	M6 X 12 Extension Bolt	6	Used for mounting the cable tray on the console.	Refer to page 82.

▶▶ CEILING TYPE BRACKET SYSTEMS

▶ MODEL APPLICATIONS

TP 127



Application:

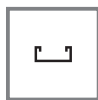


Roof

Used Product:

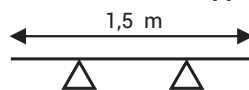


Busbar



Cable Tray

Recommended Support Range



Warning:

- M6X12 bolt assembly should be ordered if cable tray installation is to be performed in the system.

TP 127

No	Description	Number of pieces in the system	Remark	Ref. Page
1	EAE Steel Dowel	4	M10-M12	Refer to page 80.
2	PDD Console	2	Length may be extended up to 2000 mm according to weight and use.	Refer to page 74.
3	PDDB Console	1	Width can be extended according to the product width	Refer to page 74.
4	M10 Bolt	4	-	Refer to page 79.
5	M10 Nut	4	-	Refer to page 79.
6	M10 Washer	8	-	Refer to page 79.
7	KX Angle Bracket Fittings	2	-	Refer to page 83.



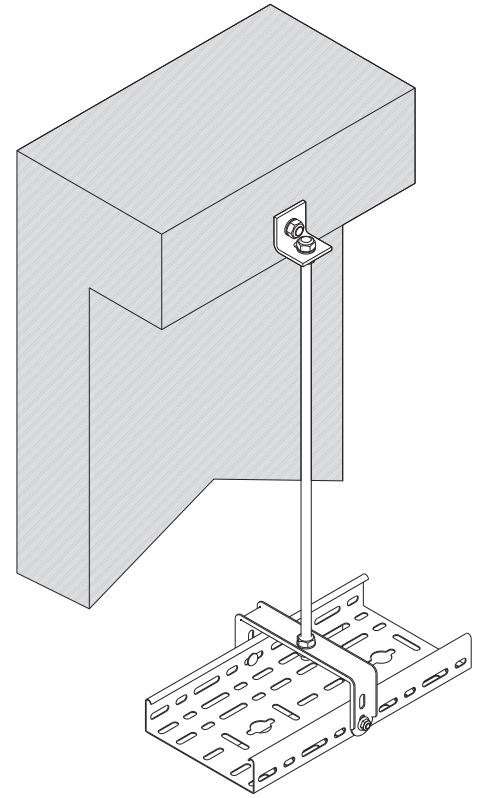
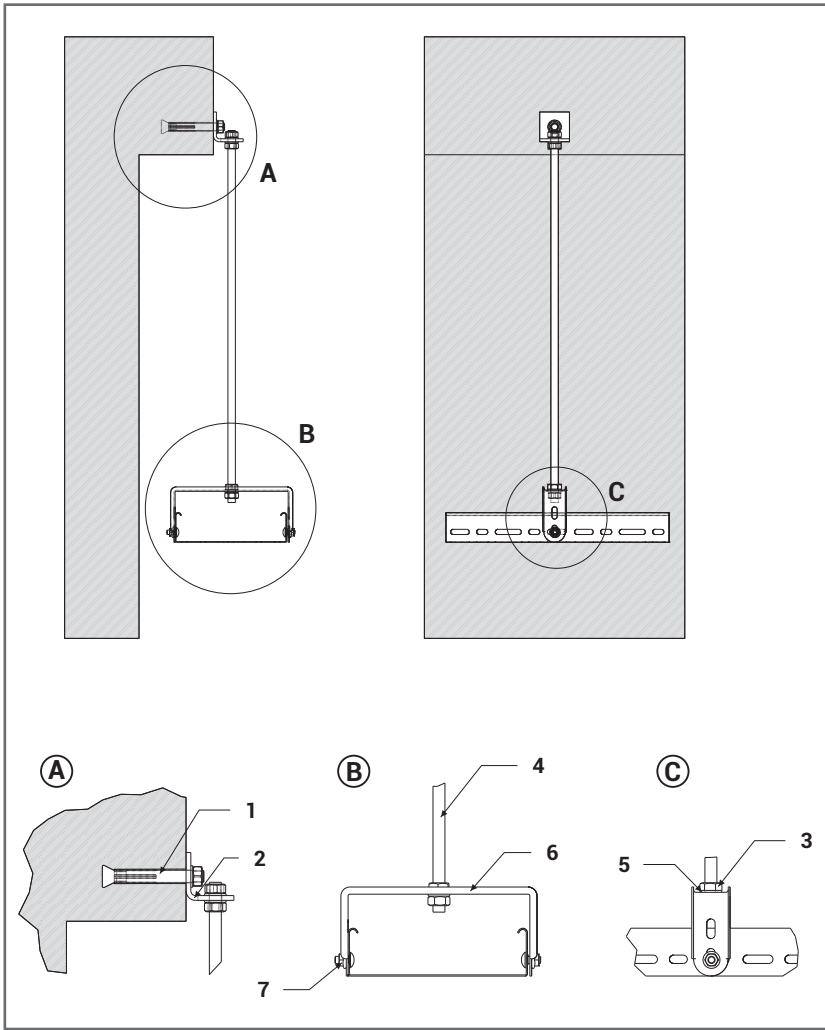


SINGLE ROD TYPE BRACKET SYSTEMS

▶▶ SINGLE ROD TYPE BRACKET SYSTEMS

▶ MODEL APPLICATIONS

TP 128



Application:



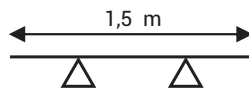
Wall

Used Product:



Cable Tray

Recommended Support Range



Warning:

- In this system trays with a maximum H = 60 (height) W = 200 (width) can be used.
- Notify the length of the rod when ordering.

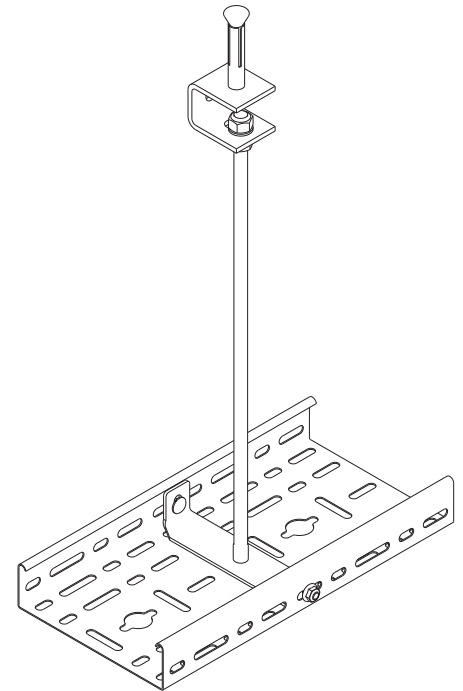
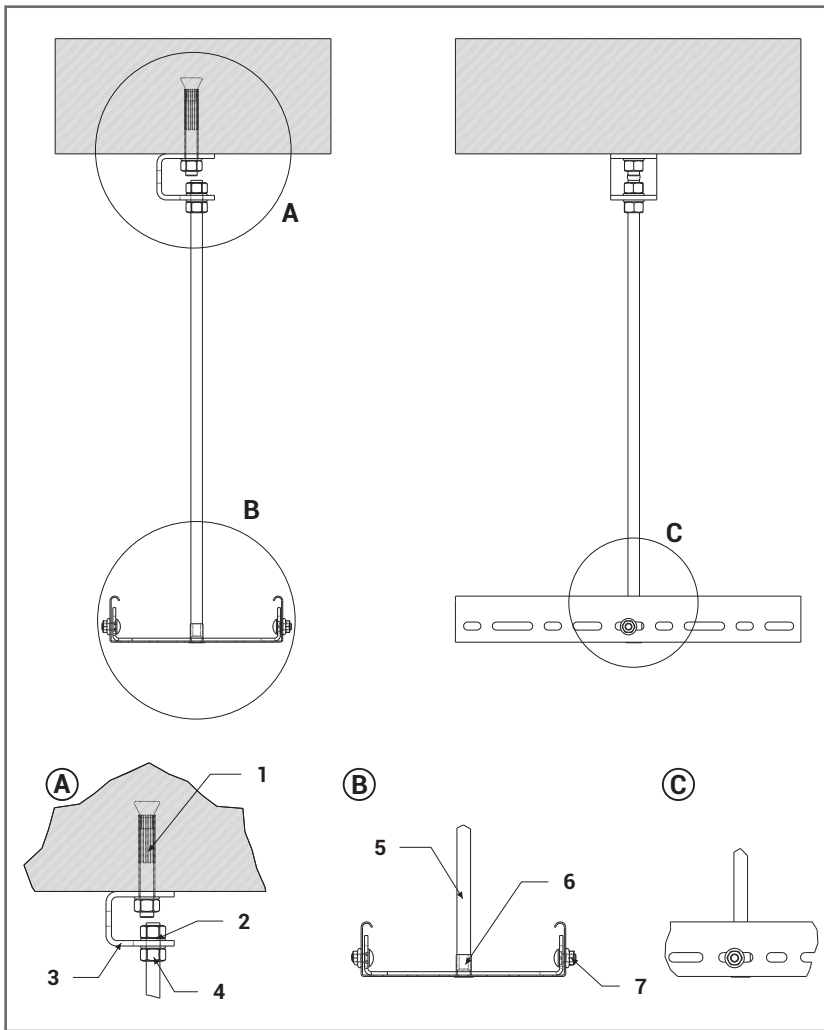
TP 128

No	Description	Number of pieces in the system	Remark	Ref. Page
1	EAE Steel Dowel	1	M10	Refer to page 80.
2	'L' Ceiling Retainer.	1	-	Refer to page 76.
3	Nut	4	M8/M10	Refer to page 79.
4	Rod	1	M8/M10	Refer to page 79.
5	Washer	4	M8/M10	Refer to page 79.
6	AT3	1	Its length may vary according to the tray width.	Refer to page 76.
7	M6 x 12 Extension Bolt	2	-	Refer to page 82.

▶▶ SINGLE ROD TYPE BRACKET SYSTEMS

▶ MODEL APPLICATIONS

TP 129

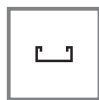


Application:



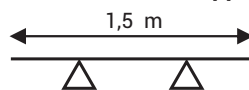
Roof

Used Product:



Cable Tray

Recommended Support Range



Warning:

- In this system trays with a maximum H = 60 (height) W = 200 (width) can be used
- Notify the length of the rod when ordering.

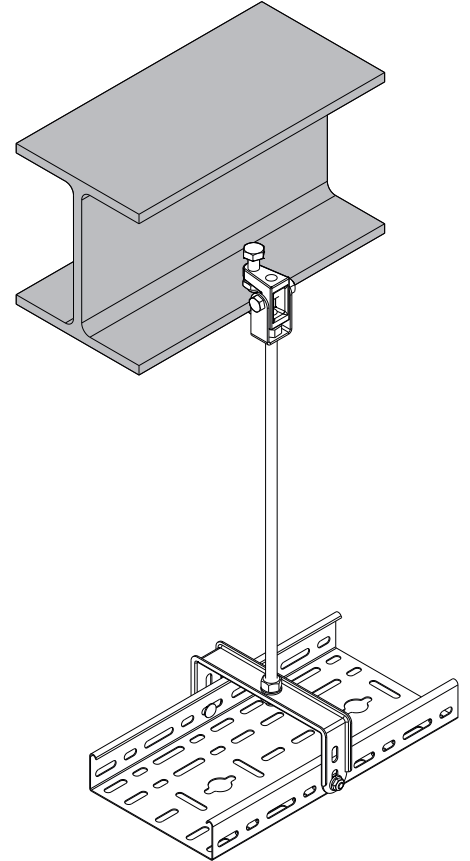
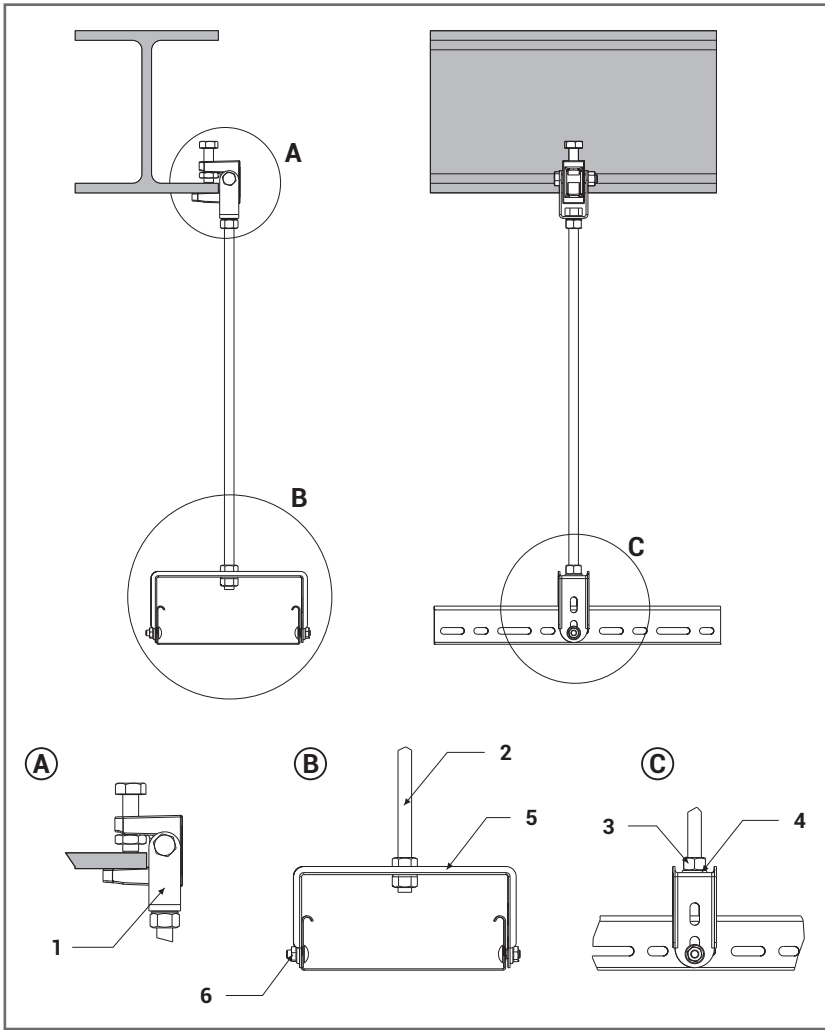
TP 129

No	Description	Number of pieces in the system	Remark	Ref. Page
1	EAE Steel Dowel	1	M10	Refer to page 80.
2	Washer	2	M8/M10	Refer to page 79.
3	'U' Ceiling Retainer.	1	-	Refer to page 76.
4	Nut	2	M8/M10	Refer to page 79.
5	Rod	1	M8/M10	Refer to page 79.
6	AT5	1	Its length may vary according to the tray width.	Refer to page 76.
7	M6 x 12 Extension Bolt	2	-	Refer to page 82.

▶▶ SINGLE ROD TYPE BRACKET SYSTEMS

▶ MODEL APPLICATIONS

TP 130

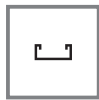


Application:



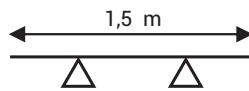
Steel
Construction

Used Product:



Cable Tray

Recommended Support Range



Warning:

- In this system trays with a maximum H = 60 (height) W = 300 (width) can be used
- Notify the length of the rod when ordering.

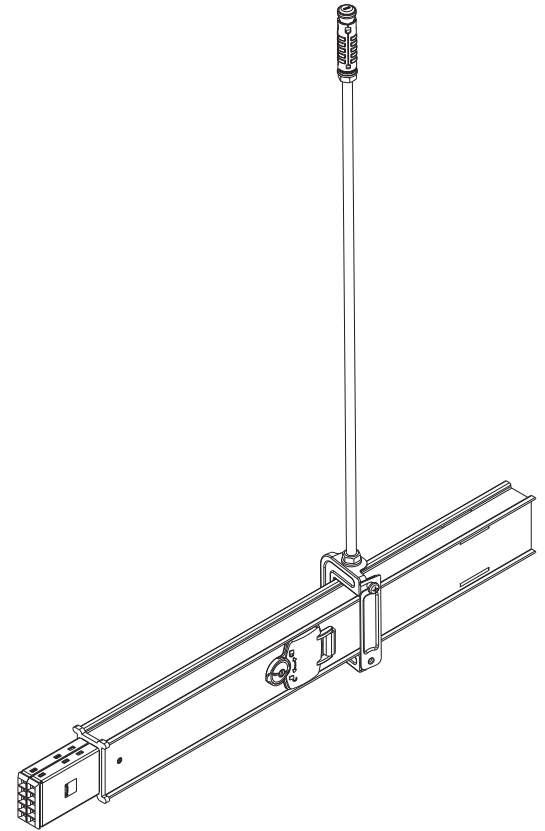
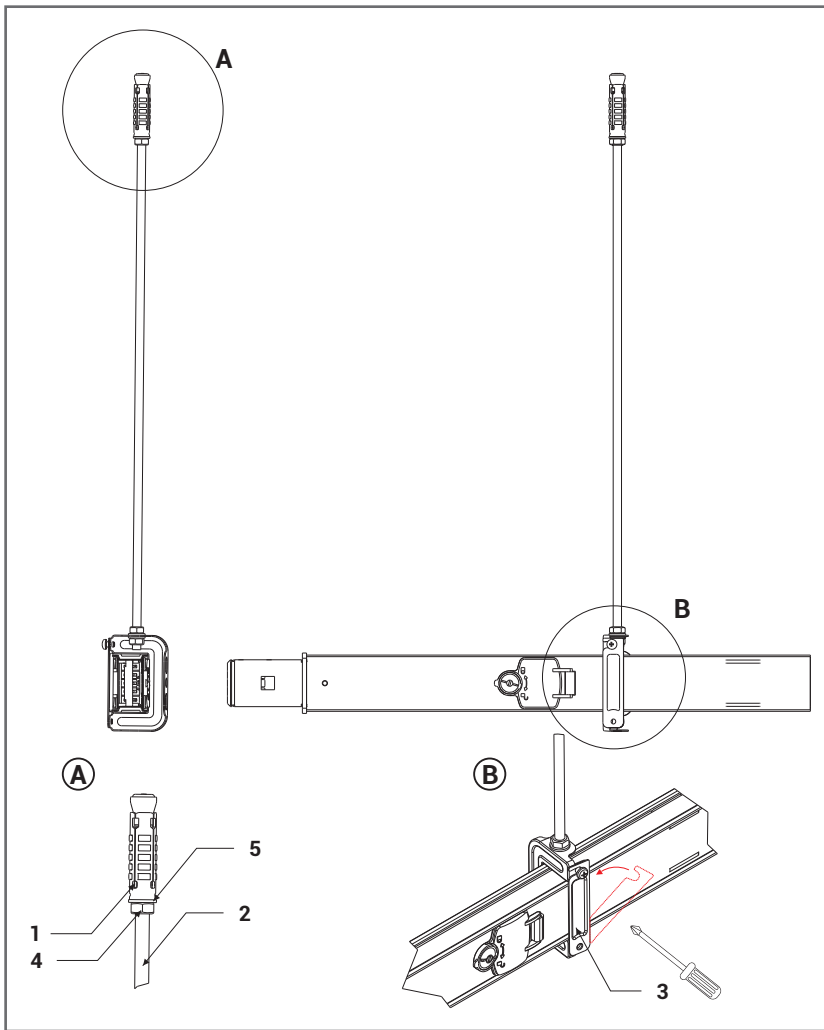
TP 130

No	Description	Number of pieces in the system	Remark	Ref. Page
1	Joint Clamp	4	M8/M10	Refer to page 82.
2	Rod	2	M8/M10	Refer to page 79.
3	Nut	4	M8/M10	Refer to page 79.
4	Washer	8	M8/M10	Refer to page 79.
5	AT3	4	Its length may vary according to the tray width.	Refer to page 76.
6	M6 x 12 Extension Bolt	1	-	Refer to page 82.

▶▶ SINGLE ROD TYPE BRACKET SYSTEMS

▶ MODEL APPLICATIONS

TP 131



Application:



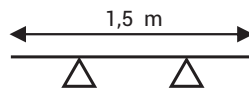
Roof

Used Product:



Busbar

Recommended Support Range



Warning:

- Notify the length of the rod when ordering.

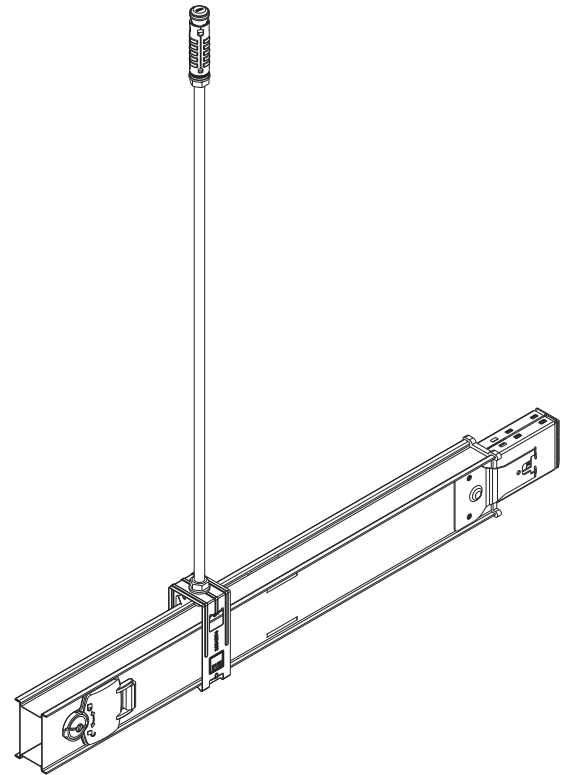
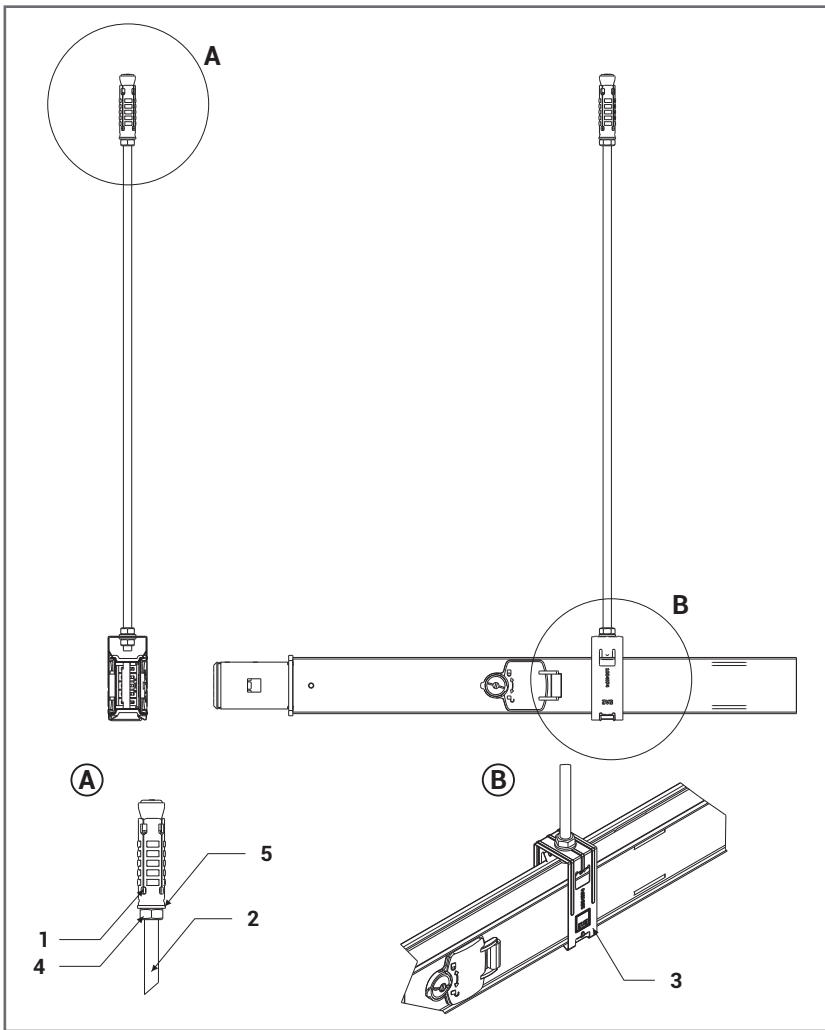
TP 131

No	Description	Number of pieces in the system	Remark	Ref. Page
1	EAE "S" Type Draw-in Anchor	1	M8	Refer to page 80.
2	Rod	1	M8	Refer to page 79.
3	'DL' Frame Bracket	1	Coated/Uncoated	Refer to page 84.
4	Nut	3	M8	Refer to page 79.
5	Washer	3	M8	Refer to page 79.

▶▶ SINGLE ROD TYPE BRACKET SYSTEMS

▶ MODEL APPLICATIONS

TP 132



Application:



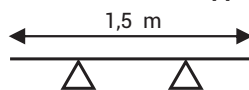
Roof

Used Product:



Busbar

Recommended Support Range



Warning:

- Notify the length of the rod when ordering.

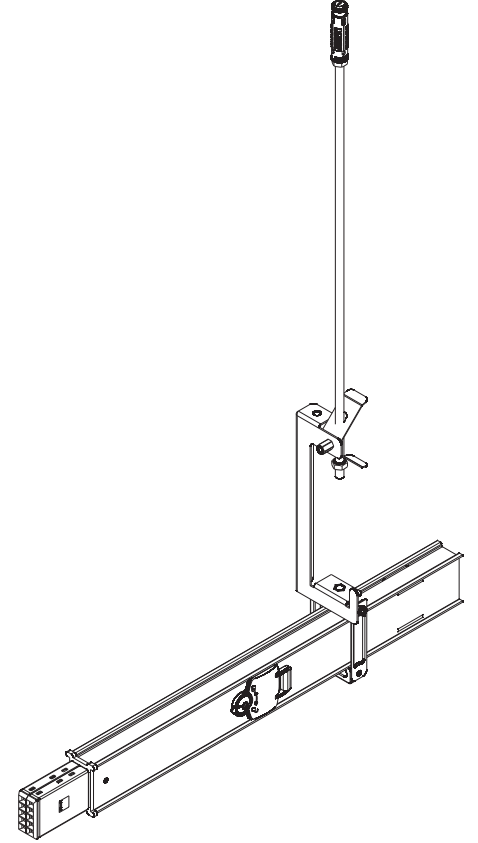
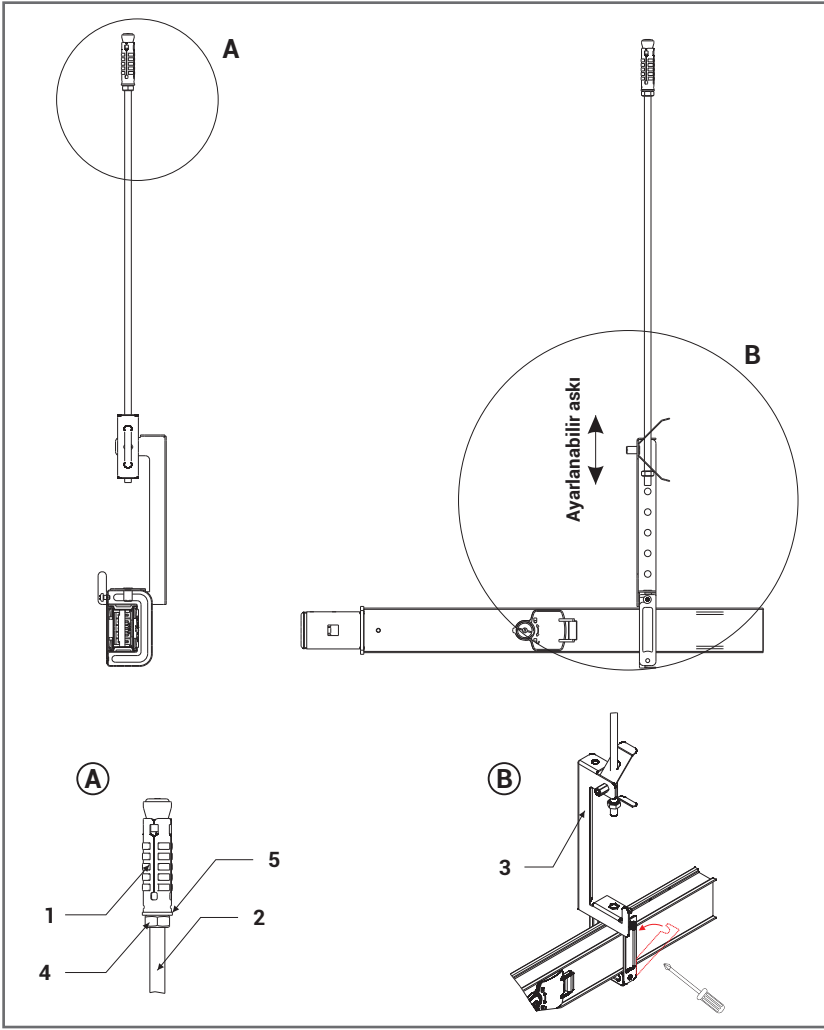
TP 132

No	Description	Number of pieces in the system	Remark	Ref. Page
1	EAE "S" Type Draw-in Anchor	1	M8	Refer to page 80.
2	Rod	1	M8	Refer to page 79.
3	DL "U" Bracket	1	Coated/Uncoated	Refer to page 84.
4	Nut	3	M8	Refer to page 79.
5	Washer	3	M8	Refer to page 79.

►► SINGLE ROD TYPE BRACKET SYSTEMS

► MODEL APPLICATIONS

TP 133



Application:



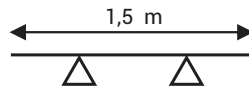
Roof

Used Product:



Busbar

Recommended Support Range



Warning:

- Notify the length of the rod when ordering.

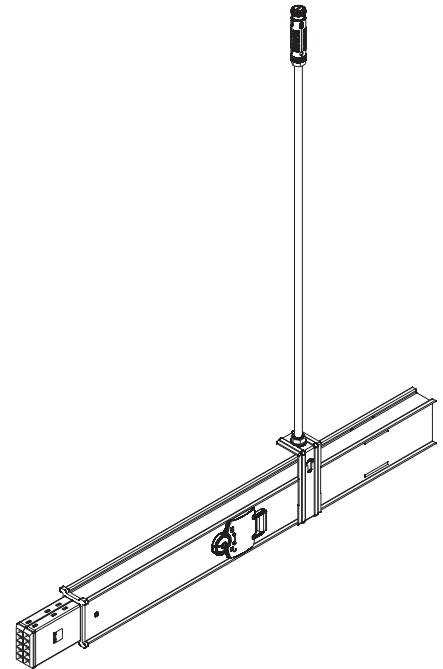
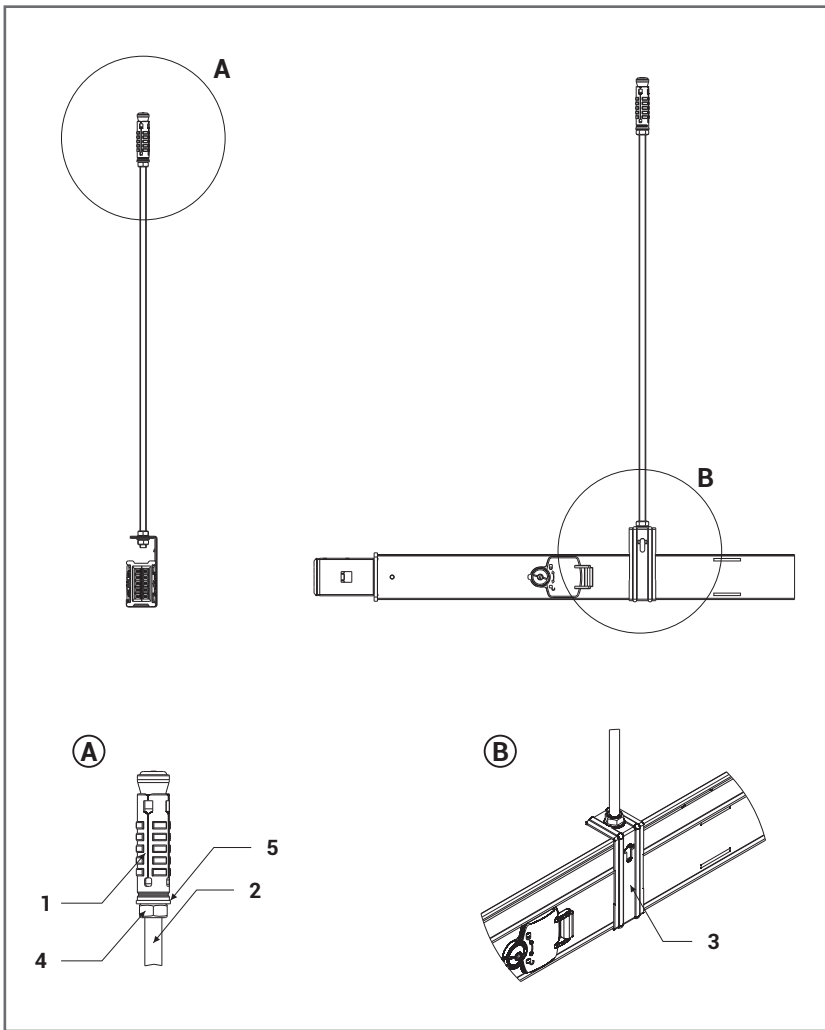
TP 133

No	Description	Number of pieces in the system	Remark	Ref. Page
1	EAE "S" type draw-in anchor	1	M8	Refer to page 80.
2	Rod	1	M8	Refer to page 79.
3	DL/SL Multifunctional Bracket	1	Coated/Uncoated	Refer to page 84.
4	Nut	2	M8	Refer to page 79.
5	Washer	2	M8	Refer to page 79.

▶▶ SINGLE ROD TYPE BRACKET SYSTEMS

▶ MODEL APPLICATIONS

TP 134



Application:



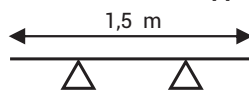
Roof

Used Product:



Busbar

Recommended Support Range



Warning:

- Notify the length of the rod when ordering.

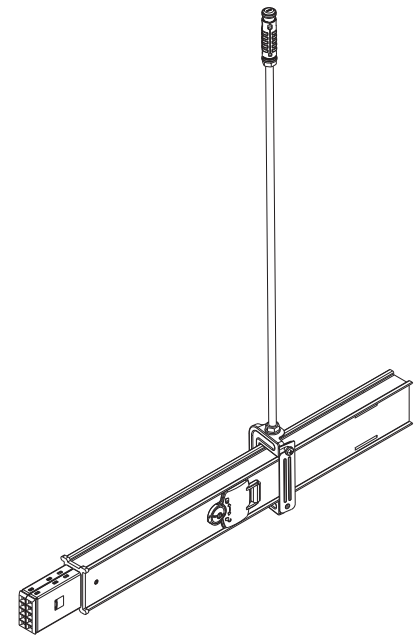
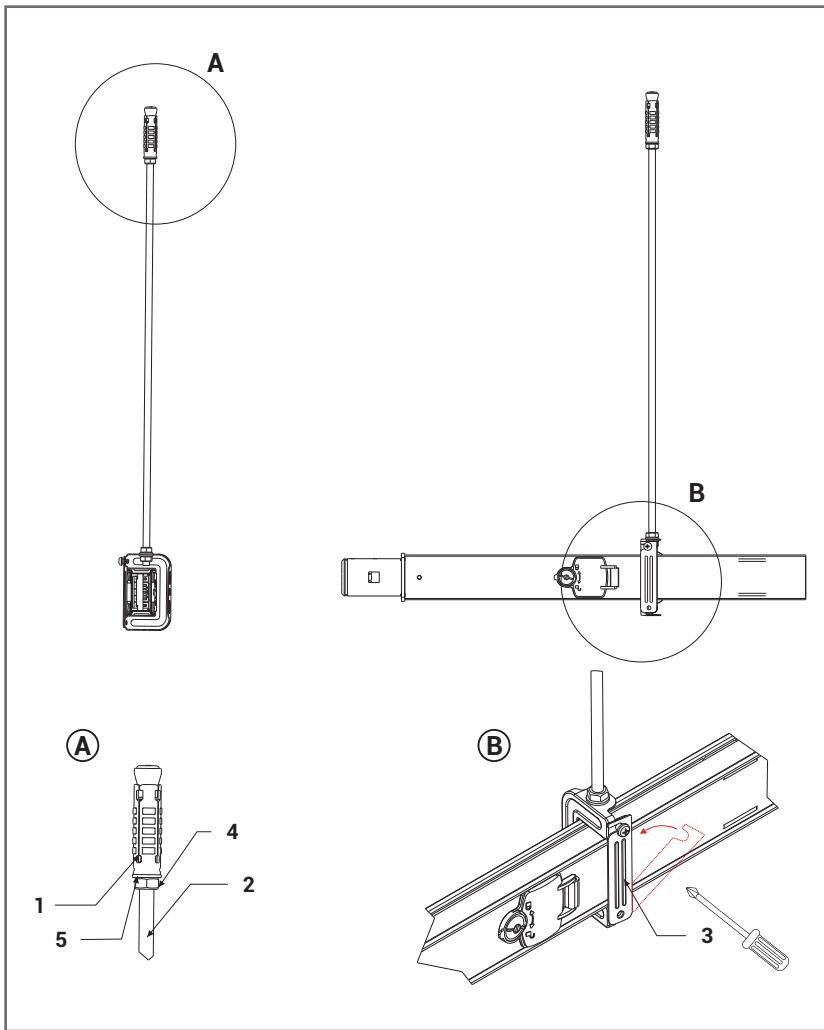
TP 134

No	Description	Number of pieces in the system	Remark	Ref. Page
1	EAE "S" Type Draw-in Anchor	1	M8	Refer to page 80.
2	Rod	1	M8	Refer to page 79.
3	DL "L" Bracket	1	Coated/Uncoated	Refer to page 84.
4	Nut	3	M8	Refer to page 79.
5	Washer	3	M8	Refer to page 79.

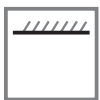
▶▶ SINGLE ROD TYPE BRACKET SYSTEMS

▶ MODEL APPLICATIONS

TP 135



Application:



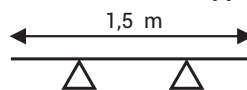
Roof

Used Product:



Busbar

Recommended Support Range



Warning:

- Notify the length of the rod when ordering.

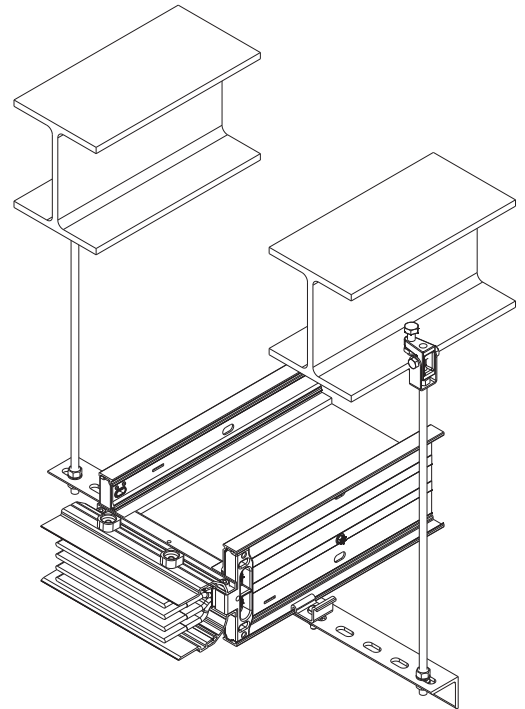
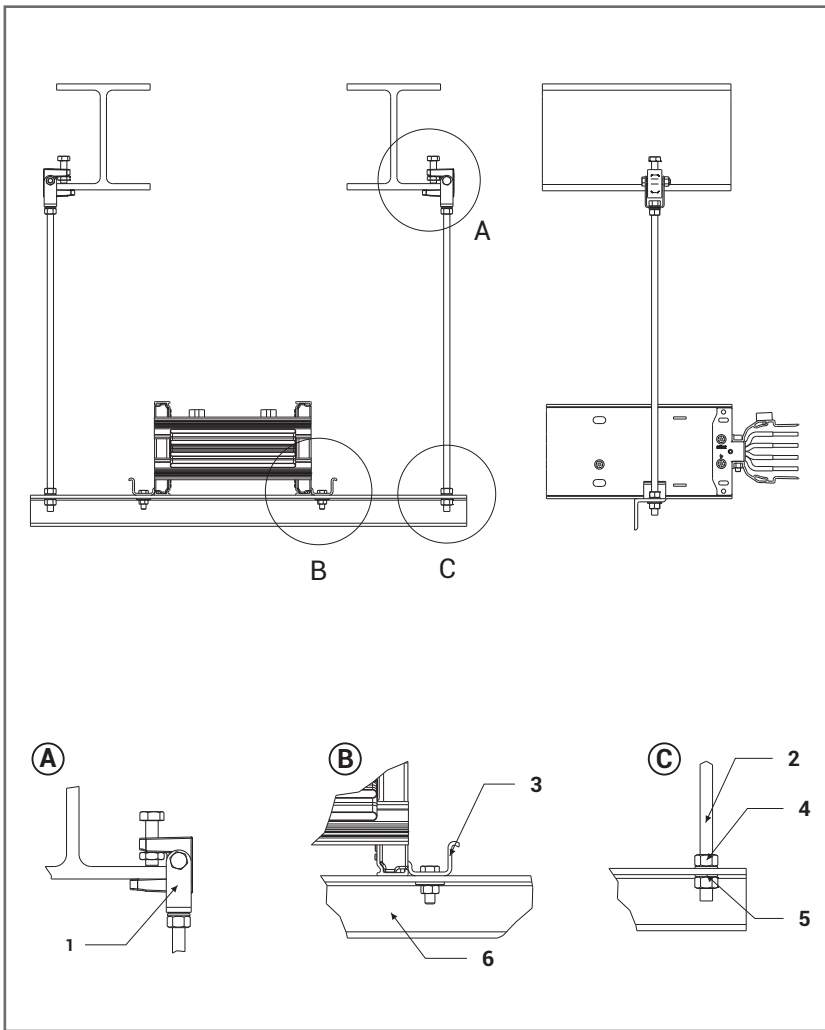
TP 135

No	Description	Number of pieces in the system	Remark	Ref. Page
1	EAE "S" Type Draw-in Anchor	1	M8	Refer to page 80.
2	Rod	1	M8	Refer to page 79.
3	KAM" Frame Bracket	1	Coated/Uncoated	Refer to page 84.
4	Nut	3	M8	Refer to page 79.
5	Washer	3	M8	Refer to page 79.

►► DUAL RODS TYPE BRACKET SYSTEMS

► MODEL APPLICATIONS

TP 136



Application:



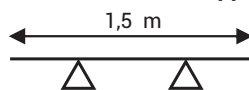
Steel
Construction

Used Product:



Busbar

Recommended Support Range



Warning:

- M12 should be used for 1600A and.
- Notify the length of the rod when ordering.

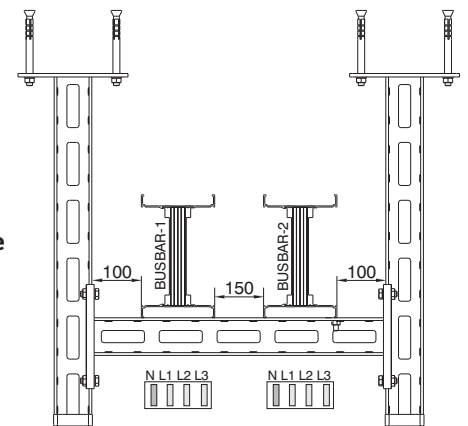
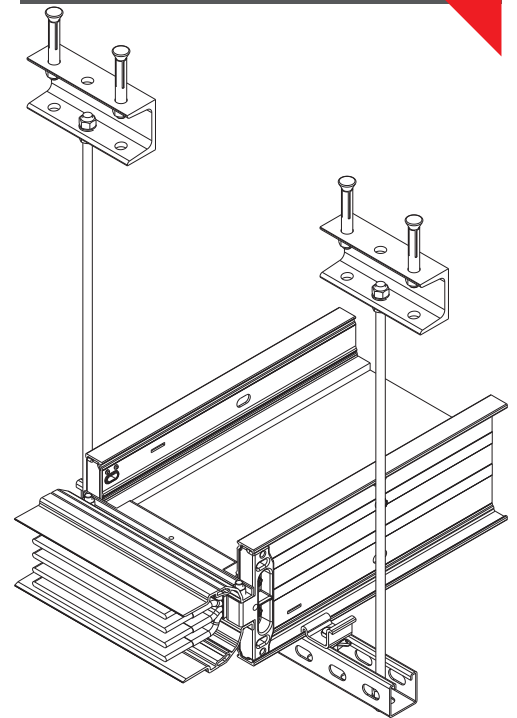
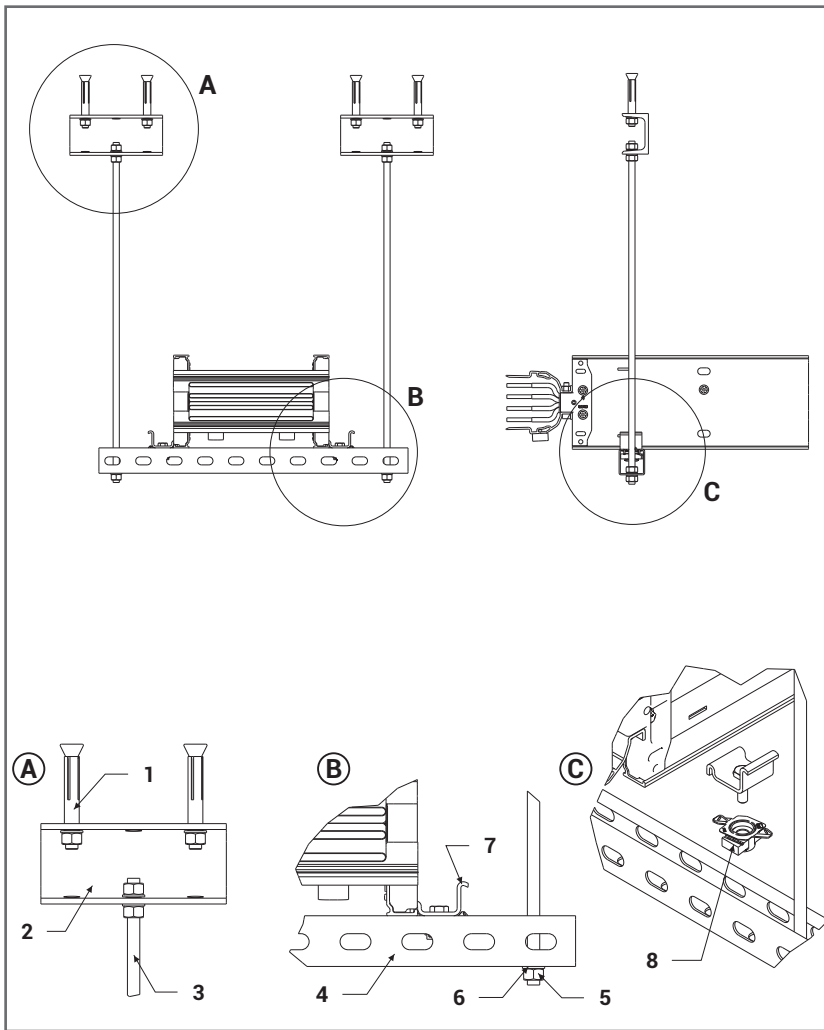
TP 136

No	Description	Number of pieces in the system	Remark	Ref. Page
1	Joint Clamp	2	M10 / M12	Refer to page 82.
2	Rod	2	M10 / M12	Refer to page 79.
3	KX Angle Bracket Fittings	2	-	Refer to page 83.
4	Nut	6	M10 / M12	Refer to page 79.
5	Washer	6	M10 / M12	Refer to page 79.
6	UAS-K5	1	Its length may vary according to the tray width.	Refer to page 77.

►► DUAL RODS TYPE BRACKET SYSTEMS

► MODEL APPLICATIONS

TP137



Application:



Roof

Used Product:



Busbar

Recommended Support Range

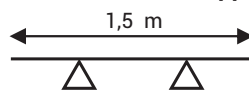


Figure 1

Warning:

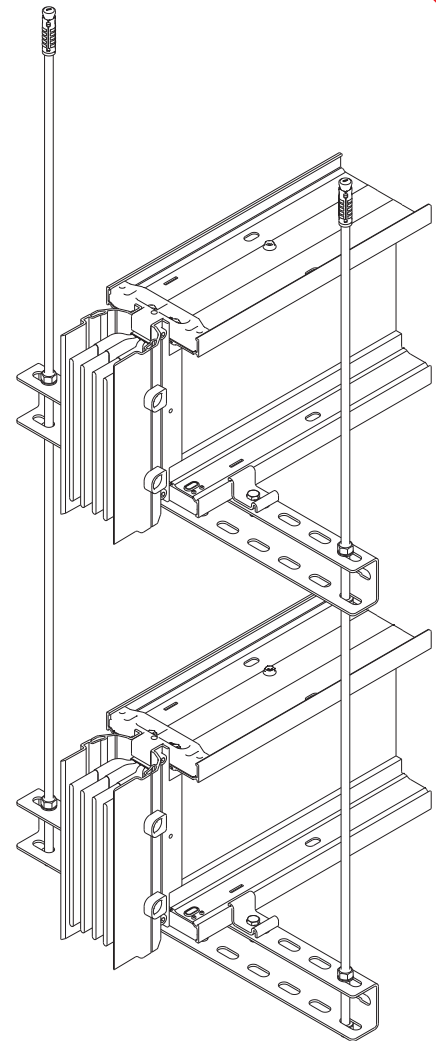
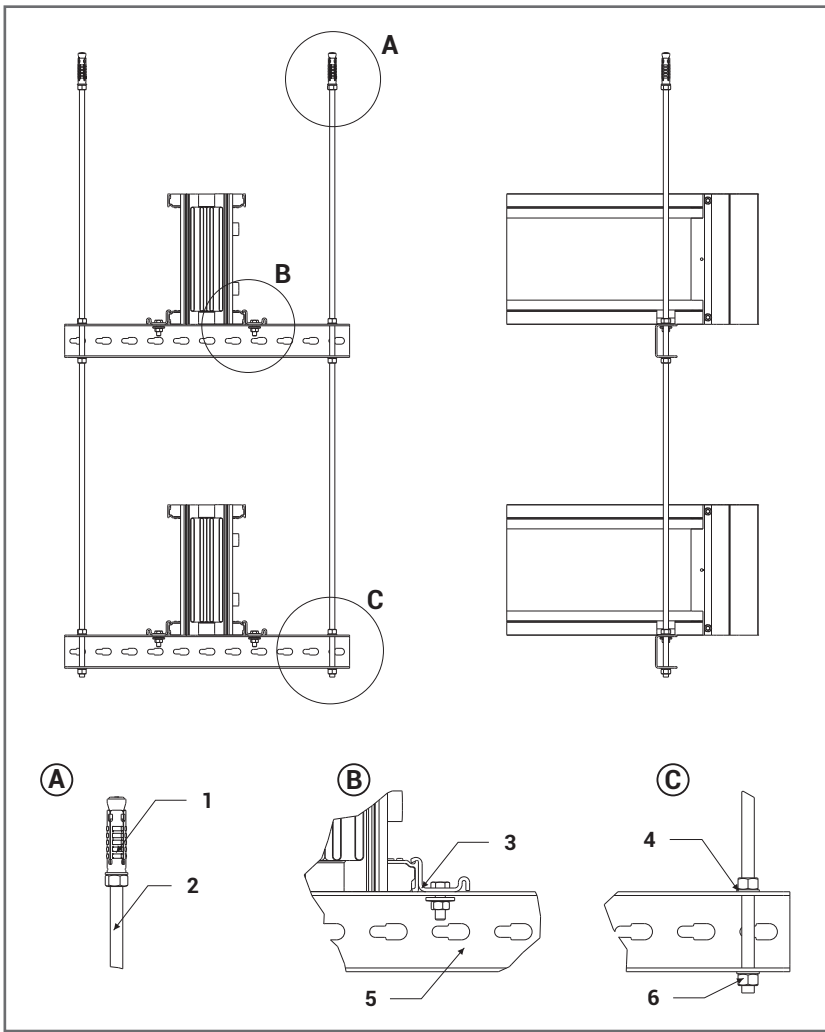
- M12 should be used for 1600A and above busbar systems.
- Notify the length of the rod when ordering.
- Where 2 or more busbars are to be used side by side, the installation spacing rules in Figure 1 should be followed.

TP 137

No	Description	Number of pieces in the system	Remark	Ref. Page
1	EAE Steel Dowel	4	M10	Refer to page 80.
2	UDY 150	2	-	Refer to page 65.
3	Rod	2	M10/M12	Refer to page 79.
4	BR 452	1	This product is used for busbar mounting between floors.	Refer to page 78.
5	Nut	8	M10/M12	Refer to page 79.
6	Washer	8	M10/M12	Refer to page 79.
7	KX Angle Bracket Fittings	2	-	Refer to page 83.
8	Fast Binrak Nut	2	M10/M12	Refer to page 81.

►► DUAL RODS TYPE BRACKET SYSTEMS

► MODEL APPLICATIONS



Application:



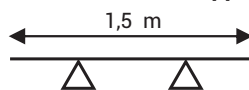
Roof

Used Product:



Busbar

Recommended Support Range



Warning:

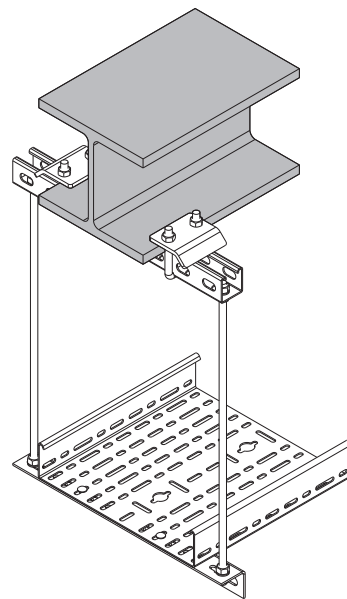
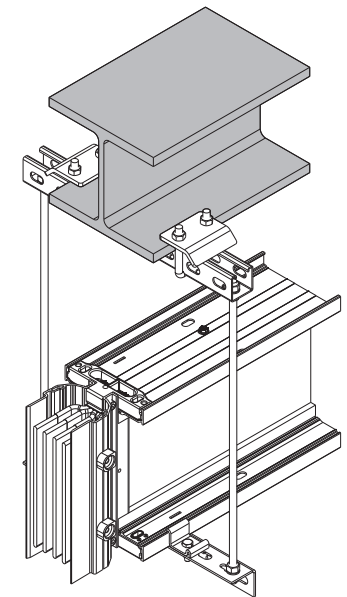
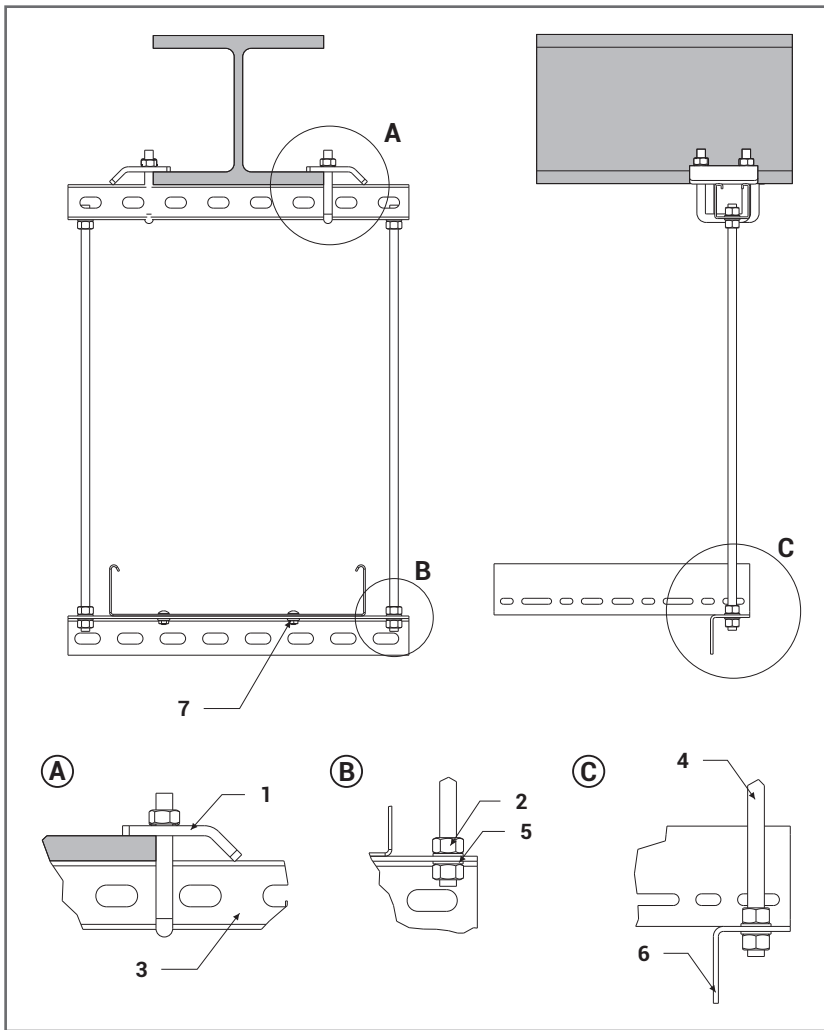
- M12 should be used for 1600A and above busbar systems.
- Notify the length of the rod when ordering.

TP 138

No	Description	Number of pieces in the system	Remark	Ref. Page
1	Steel "S" type Dowel "I"	2	M10/M12	Refer to page 80.
2	Rod	2	M10/M12	Refer to page 79.
3	KX angle Bracket Fittings	4	-	Refer to page 83.
4	Washer	10	M10/M12	Refer to page 79.
5	UPY Console	2	Its length may vary according to the tray width.	Refer to page 79.
6	Nut	10	M10/M12	Refer to page 79.

►► DUAL RODS TYPE BRACKET SYSTEMS

► MODEL APPLICATIONS



Application:



Steel
Construction

Used Product:

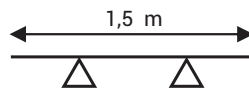


Busbar



Cable Tray

Recommended Support Range



Warning:

- KX angle bracket fittings should be ordered when a busbar will be installed to the systems.
- 1M12 should be used for 1600A and above busbar systems.
- Notify the length of the rod when ordering.

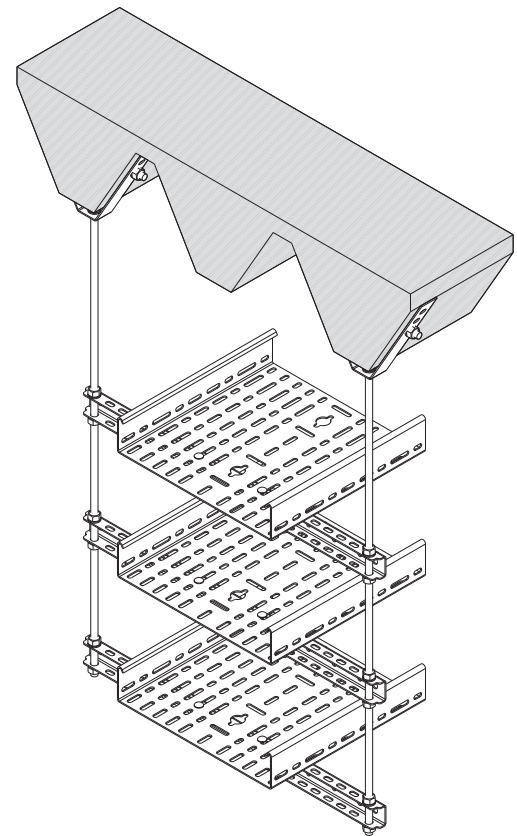
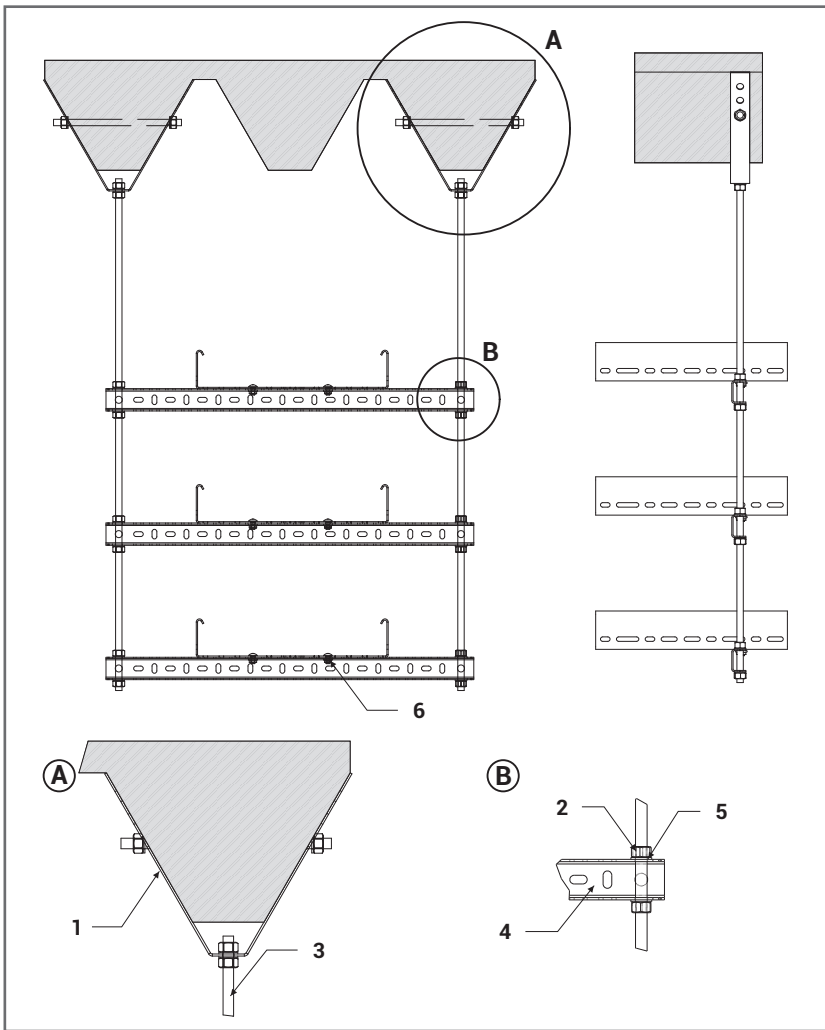
TP 139

No	Description	Number of pieces in the system	Remark	Ref. Page
1	BR1-33 Beam Retaining (41 x 41)	1	This product should be used in double row binraks as BR1-34	Refer to page 78.
2	Nut	2	M10/M12	Refer to page 79.
3	BR 452	1	This product load volue and vary between tray width.	Refer to page 79.
4	Rod	2	M10/M12	Refer to page 79.
5	Washer	1	M10/M12	Refer to page 79.
6	LP3	1	This product load volue and vary between tray width.	Refer to page 75.
7	M6 x 12 Extension Bolt	2	-	Refer to page 82.

►► DUAL RODS TYPE BRACKET SYSTEMS

► MODEL APPLICATIONS

TP 140



Application:



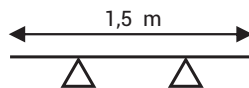
Prefabricated Roof

Used Product:



Cable Tray

Recommended Support Range



Warning:

- Instead of the horizontal console # 4, products such as AT4, MKT, LP2, LP3 profile can be used according to weight or preference.
- Notify the length of the rod when ordering.

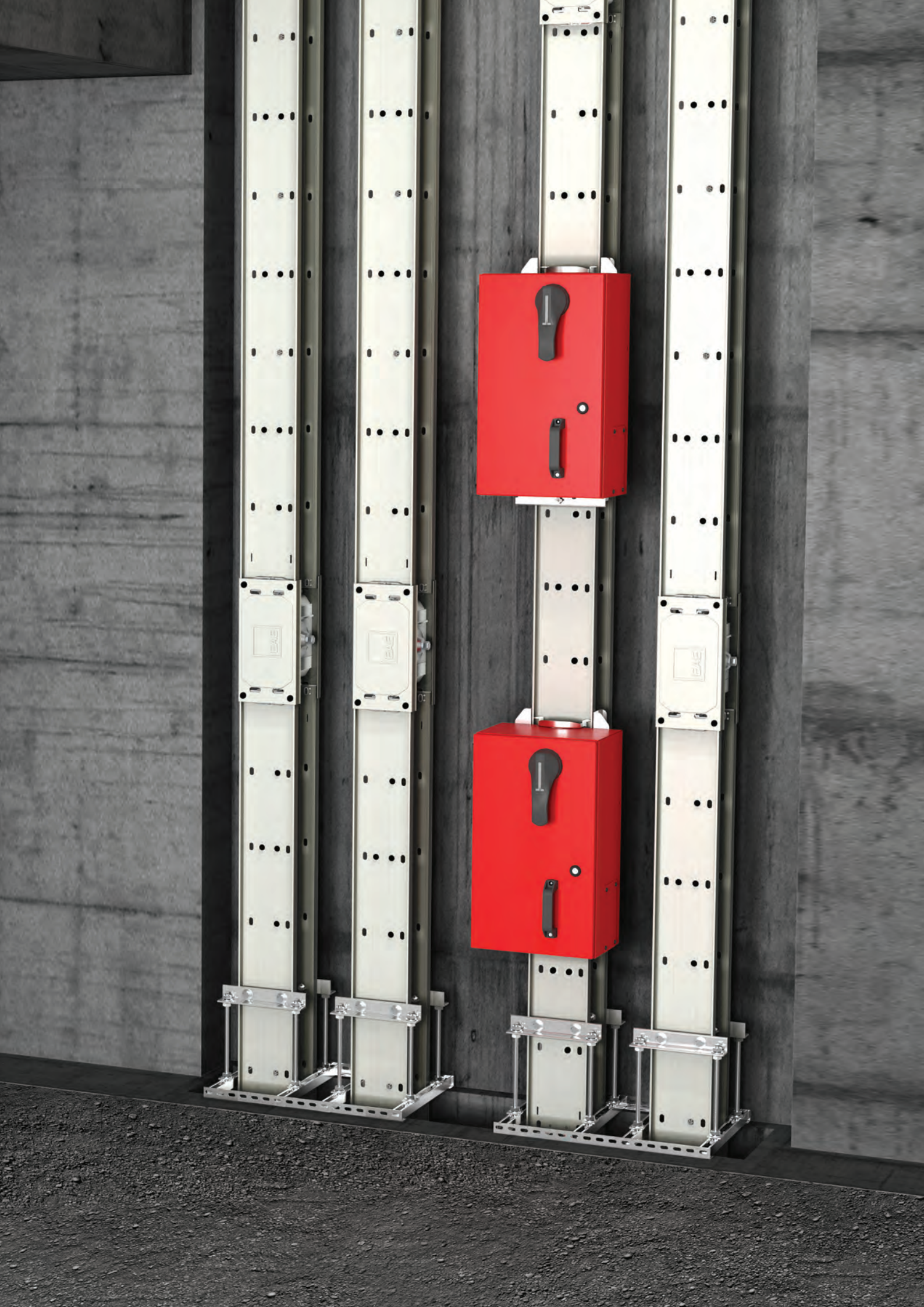
TP 140

No	Description	Number of pieces in the system	Remark	Ref. Page
1	V-Support	2	-	Refer to page 78.
2	Nut	20	M10	Refer to page 79.
3	Rod	2	M10	Refer to page 79.
4	AT4	3	Its length may vary according to the tray width.	Refer to page 79.
5	Washer	20	M10	Refer to page 79.
6	M6 x 12 Extension Bolt	6	-	Refer to page 82.





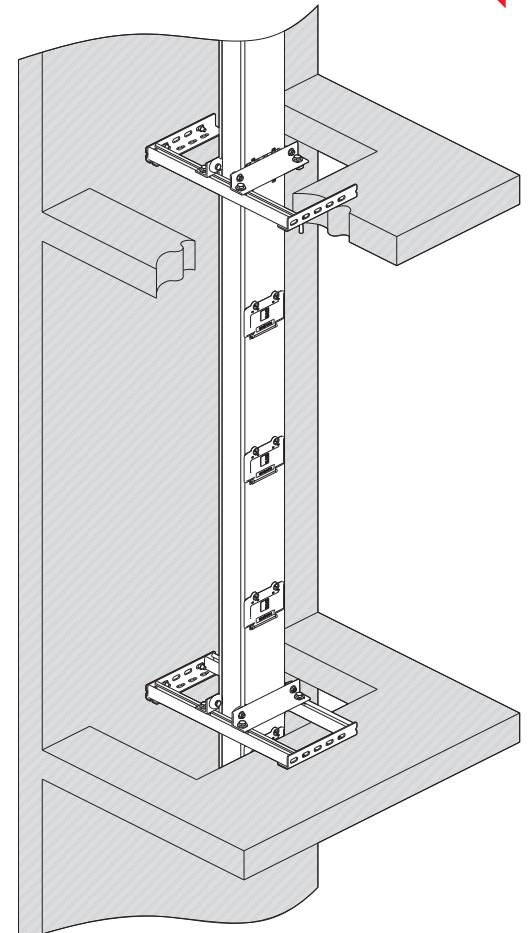
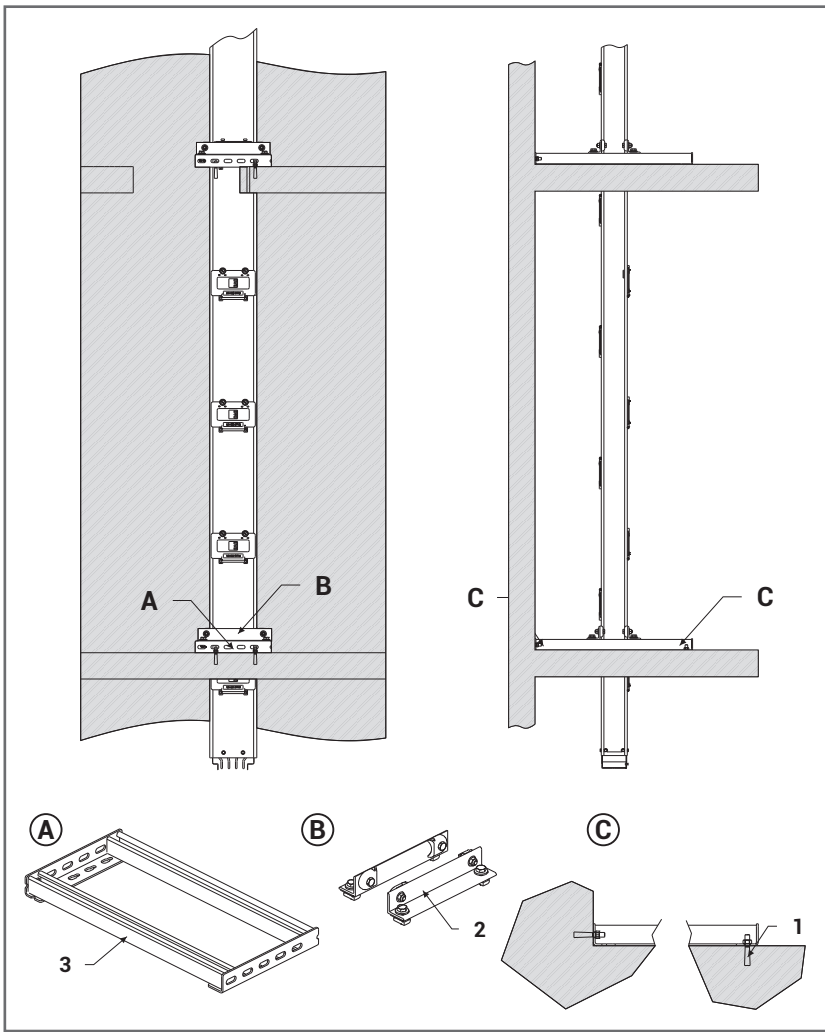
VERTICAL SHAFT BRACKET SYSTEMS



▶▶ VERTICAL SHAFT BRACKET SYSTEMS

▶ MODEL APPLICATIONS

TP 141



Application:



Shaft Space

Used Product:



Busbar

Recommended Support Range

For shafts with a floor height 4.5 mm and above brackets shall be mounted between floors

Warning:

- This product is used for busbar mounting between floors.

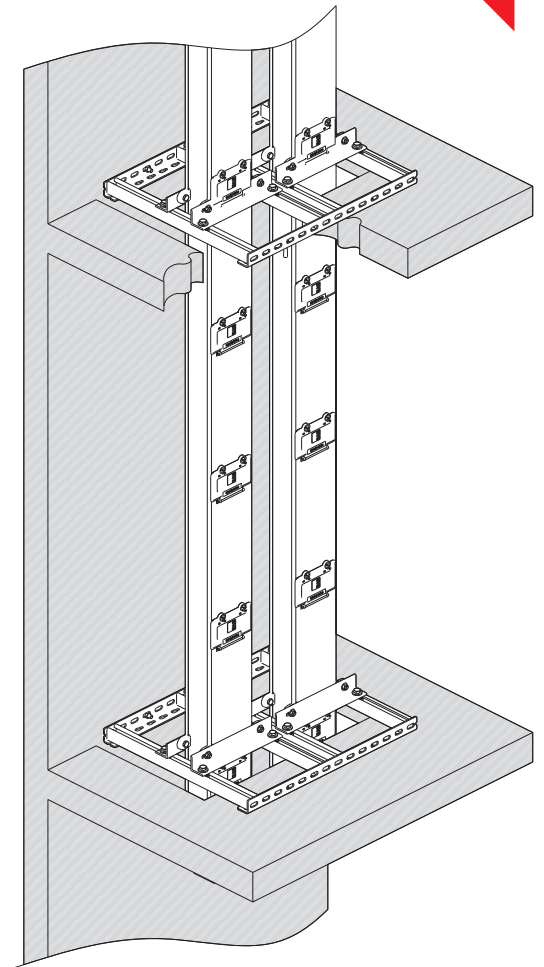
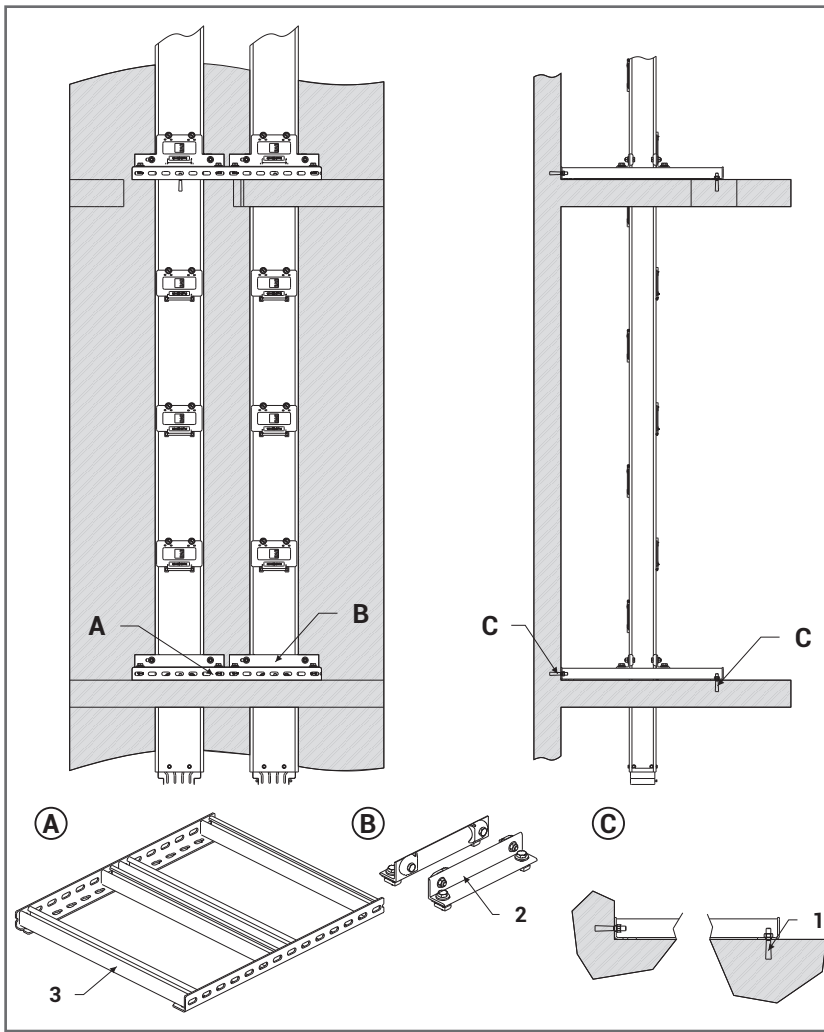
TP 141

No	Description	Number of pieces in the system	Remark	Ref. Page
1	EAE M12 Steel Dowel	4	M10 - M12	Refer to page 80.
2	KO II Vertical Shaft Bracket Retaining Kit 280mm	1	-	Refer to page 83.
3	VERTICAL SHAFT BRACKET FRAME B:290 C:280	1	Length may vary up to according demand and requirement.	Refer to page 85.

▶▶ VERTICAL SHAFT BRACKET SYSTEMS

▶ MODEL APPLICATIONS

TP 142



Application:



Shaft Space

Used Product:



Busbar

Recommended Support Range

For shafts with a floor height 4.5 mm and above brackets shall be mounted between floors

Warning:

- This product is used for busbar mounting between floors.

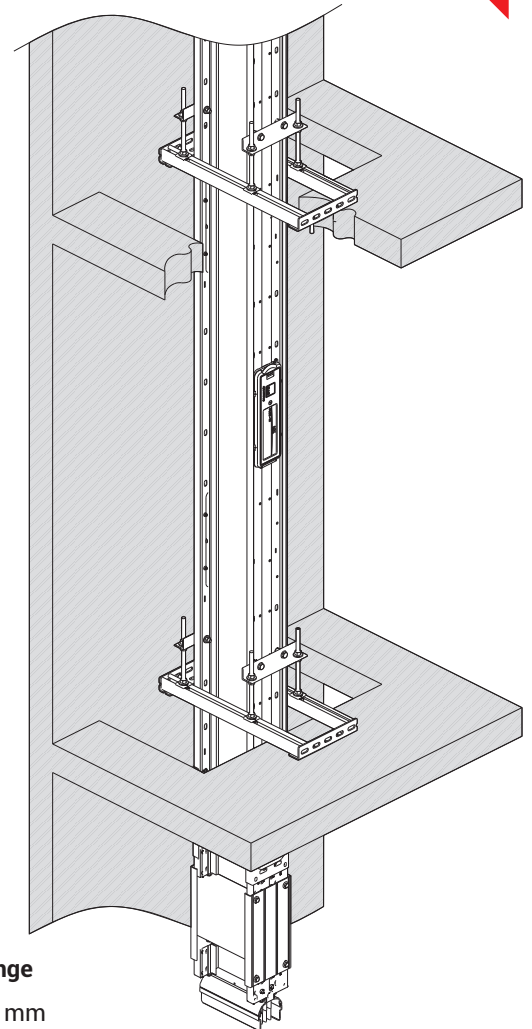
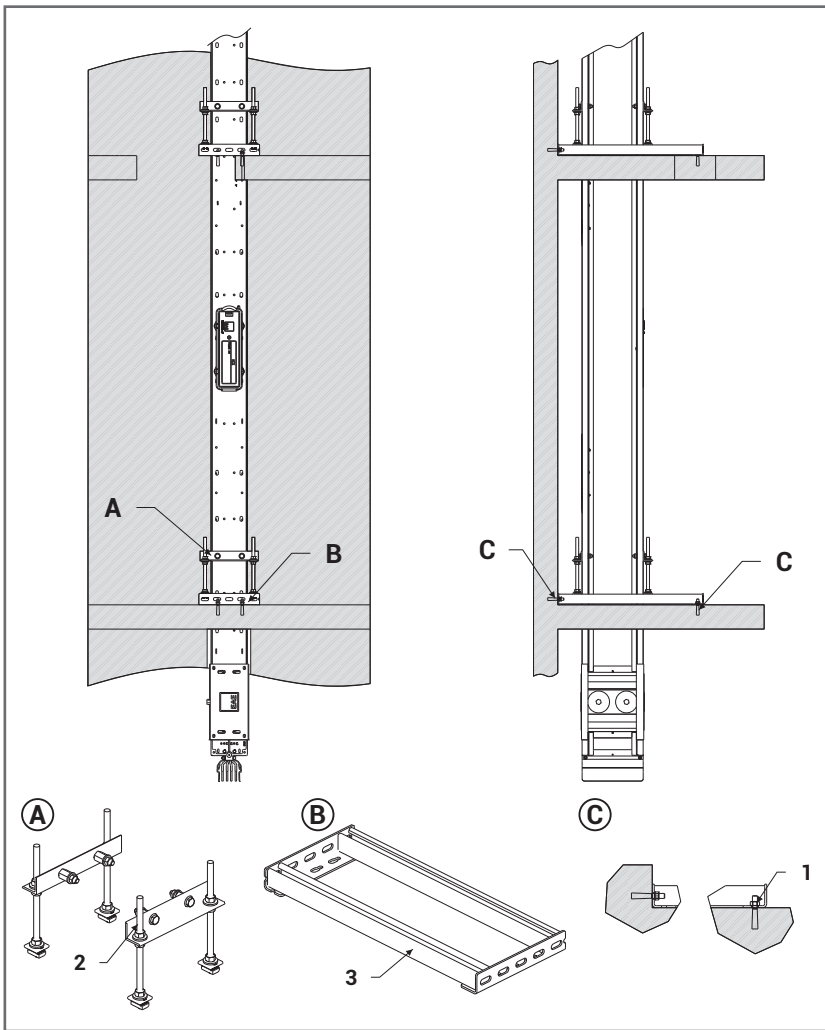
TP 142

No	Description	Number of pieces in the system	Remark	Ref. Page
1	EAE M12 Steel Dowel	4	M10 - M12	Refer to page 80.
2	KO II Vertical Shaft Bracket Retaining Kit 330mm	1	-	Refer to page 83.
3	VERTICAL SHAFT BRACKET FRAME B:700 C:350	1	Length may vary up to according demand and requirement.	Refer to page 85.

►► VERTICAL SHAFT BRACKET SYSTEMS

► MODEL APPLICATIONS

TP 143



Application:



Shaft Space

Used Product:



Busbar

Recommended Support Range

For shafts with a floor height 4.5 mm and above brackets shall be mounted between floors

Warning:

- This product is used for busbar mounting between floors.

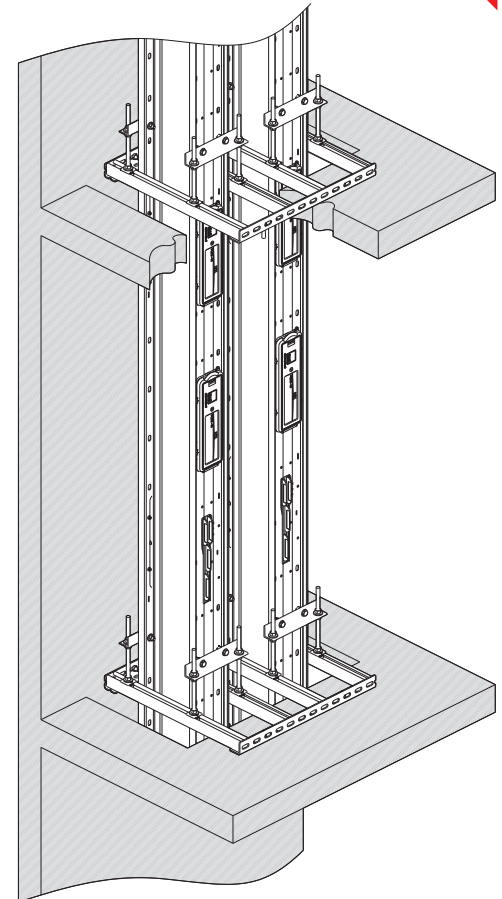
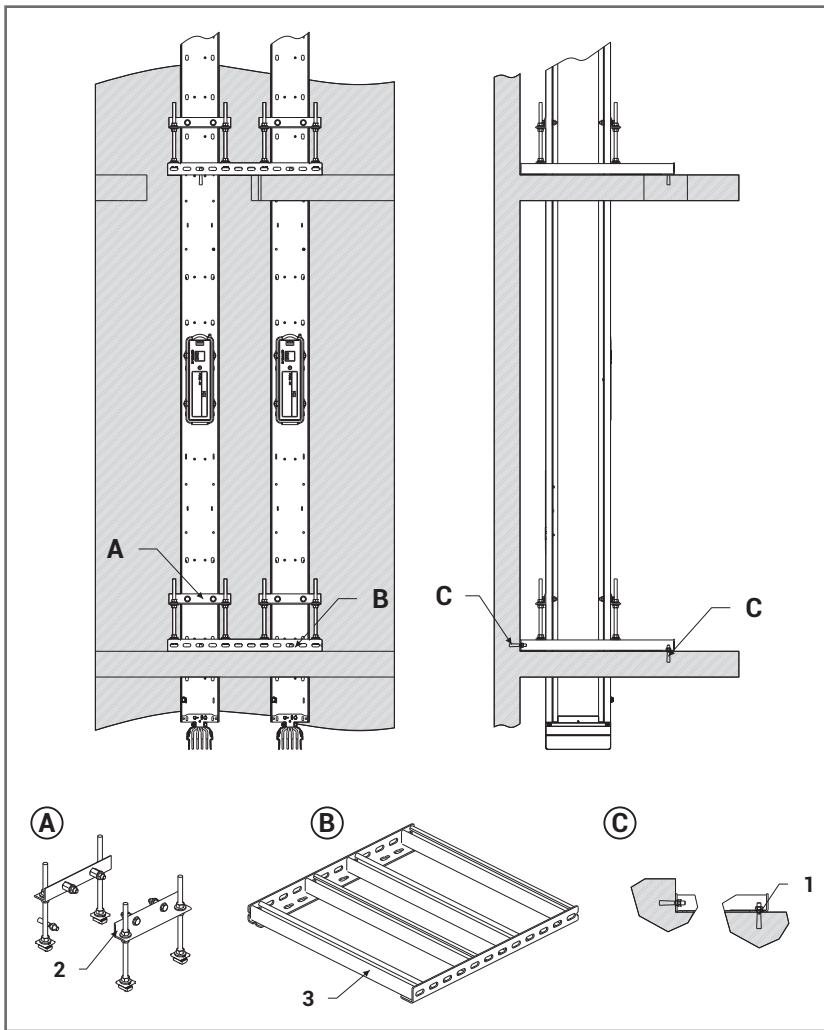
TP 143

No	Description	Number of pieces in the system	Remark	Ref. Page
1	EAE Steel Dowel	4	M10 - M12	Refer to page 80.
2	Vertical Shaft Bracket Retaining Kit 240mm	1	-	Refer to page 83.
3	VERTICAL SHAFT BRACKET FRAME B:250 C:240	1	Length may vary up to according to demand and requirement.	Refer to page 85.

▶▶ VERTICAL SHAFT BRACKET SYSTEMS

▶ MODEL APPLICATIONS

TP 144



Application:



Shaft Space

Used Product:



Busbar

Recommended Support Range

For shafts with a floor height 4.5 mm and above brackets shall be mounted between floors

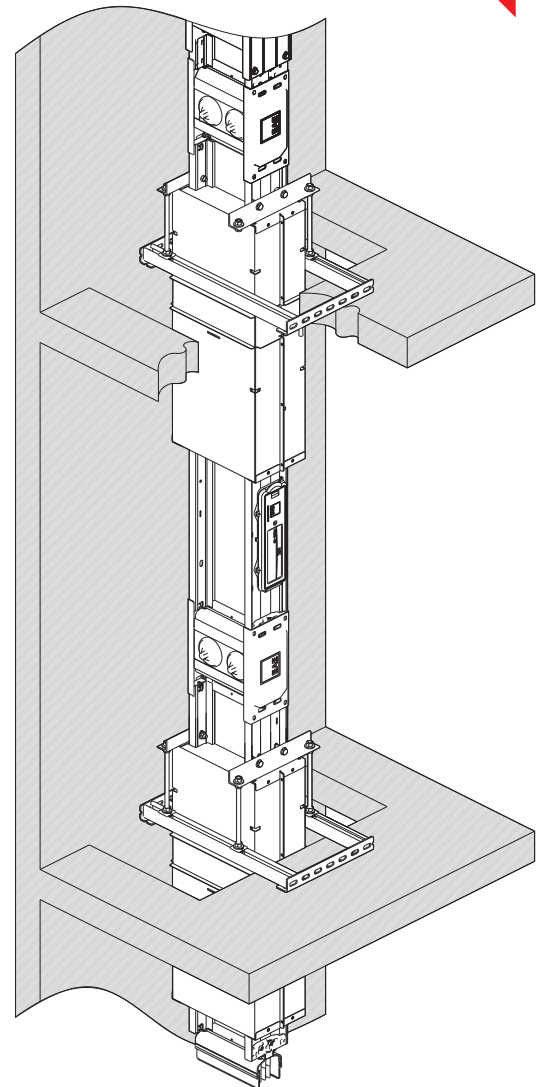
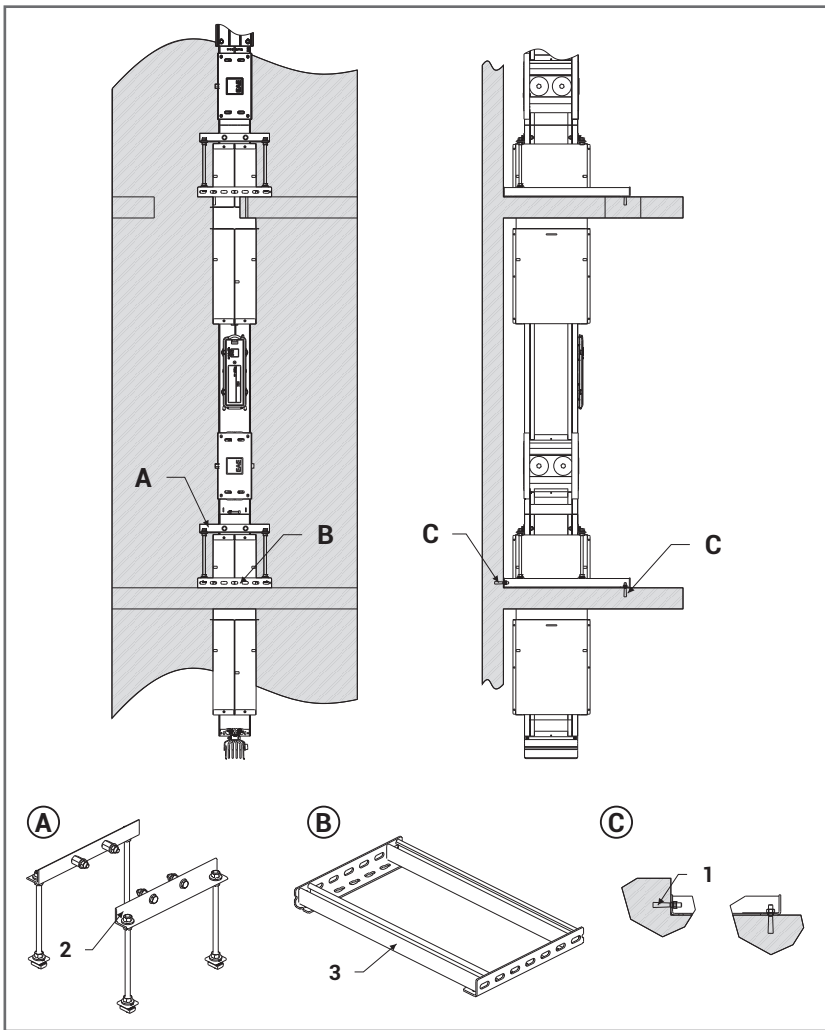
Warning:

- This product is used for busbar mounting between floors.

TP 144

No	Description	Number of pieces in the system	Remark	Ref. Page
1	EAE Steel Dowel	4	M10 - M12	Refer to page 80.
2	Vertical Shaft Bracket Frame B:600 C:240	1	-	Refer to page 83.
3	VERTICAL SHAFT BRACKET FRAME B:600 C:350	1	Length may vary up to according to demand and requirement.	Refer to page 85.

► MODEL APPLICATIONS



Application:



Shaft Space

Used Product:



Busbar

Recommended Support Range

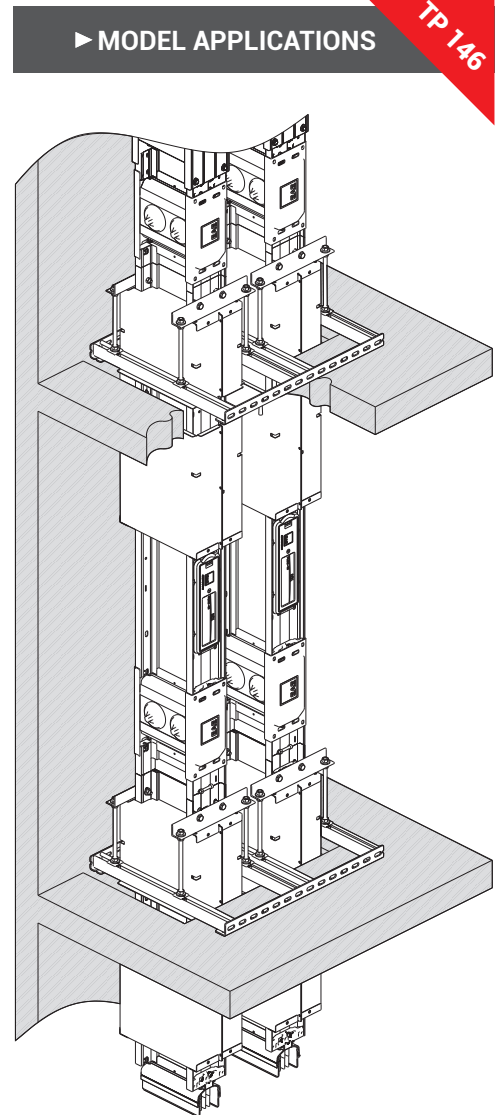
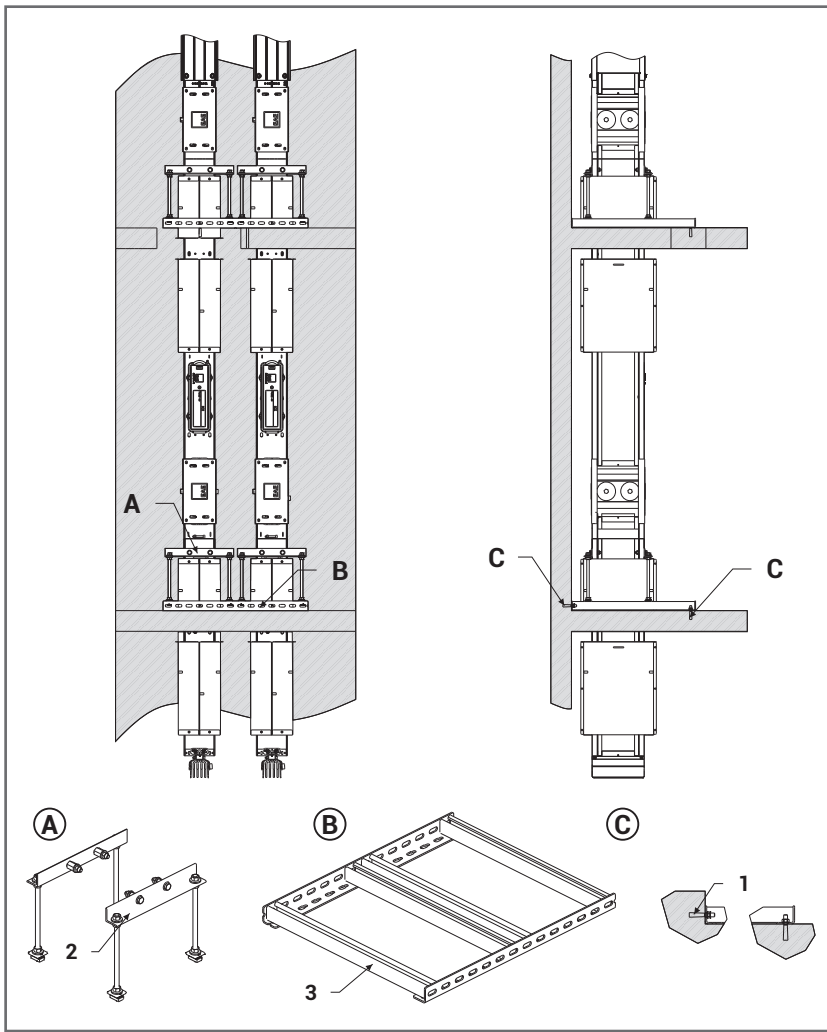
For shafts with a floor height 4.5 mm and above brackets shall be mounted between floors

Warning:

- This product is used for busbar mounting between floors.

TP 145

No	Description	Number of pieces in the system	Remark	Ref. Page
1	EAE M12 Steel Dowel	4	M12	Refer to page 80.
2	KX Vertical Shaft Bracket Retaining Kit 330mm	1	-	Refer to page 83.
3	VERTICAL SHAFT BRACKET FRAME B:250 C:330	1	Length may vary up to according to demand and requirement.	Refer to page 85.



Application:



Shaft Space

Used Product:



Busbar

Recommended Support Range

For shafts with a floor height 4.5 mm and above brackets shall be mounted between floors

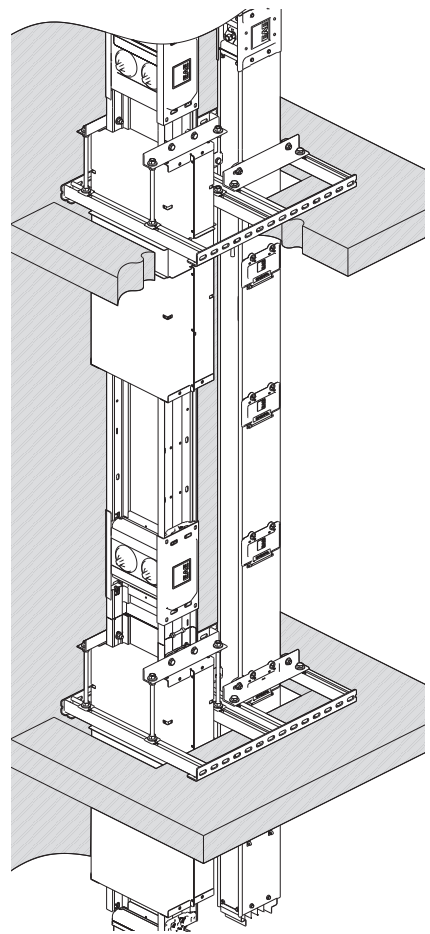
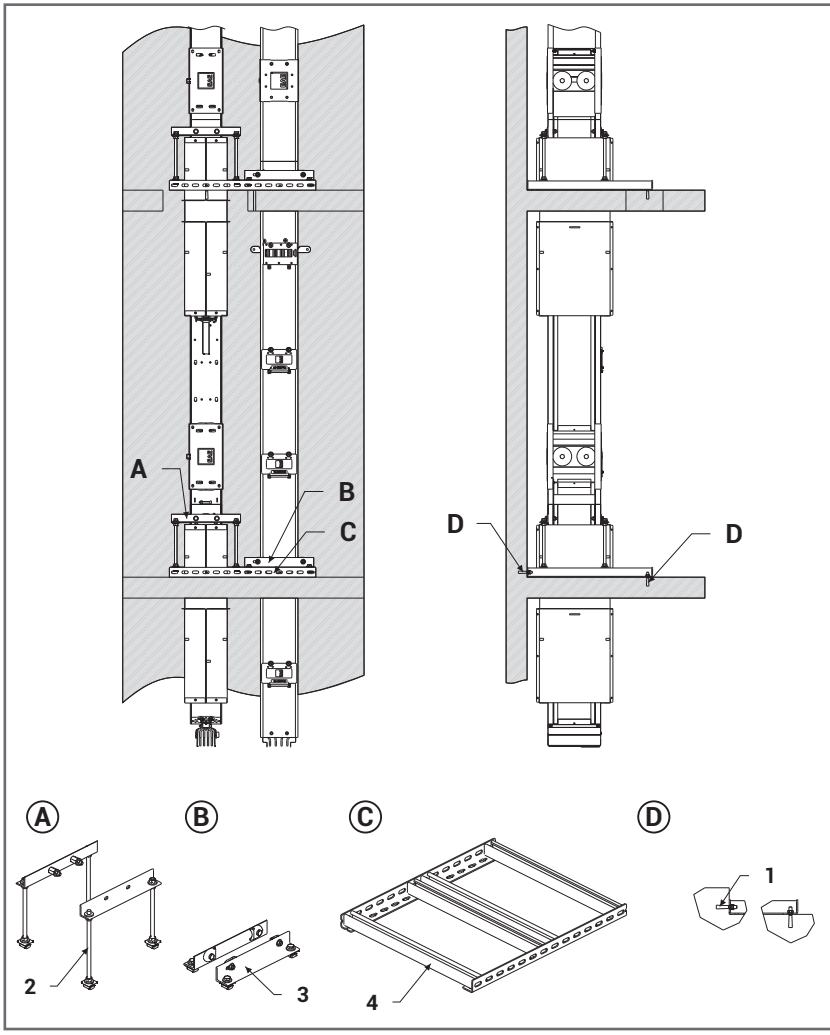
Warning:

- This product is used for busbar mounting between floors.

TP 146

No	Description	Number of pieces in the system	Remark	Ref. Page
1	EAE M12 Steel Dowel	4	M12	Refer to page 80.
2	KX Vertical Shaft Bracket Retaining Kit 330mm	1	-	Refer to page 83.
3	VERTICAL SHAFT BRACKET FRAME B:700 C:350	1	Length may vary up to according to demand and requirement.	Refer to page 85.

► MODEL APPLICATIONS



Application:



Shaft Space

Used Product:



Busbar

Recommended Support Range

For shafts with a floor height 4.5 m and above brackets shall be mounted between floors

Warning:


■ This product is used for busbar mounting between floors.

TP 147

No	Description	Number of pieces in the system	Remark	Ref. Page
1	EAE M12 Steel Dowel	4	M12	Refer to page 80.
2	KX Vertical Shaft Bracket Retaining Kit 330mm	1	-	Refer to page 83.
3	KX Vertical Shaft Bracket Retaining Kit 330mm	1	-	Refer to page 83.
4	VERTICAL SHAFT BRACKET FRAME B:700 C:350	1	Length may vary up to according to demand and requirement.	Refer to page 85.



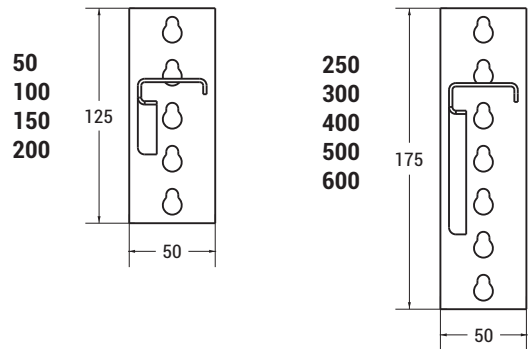
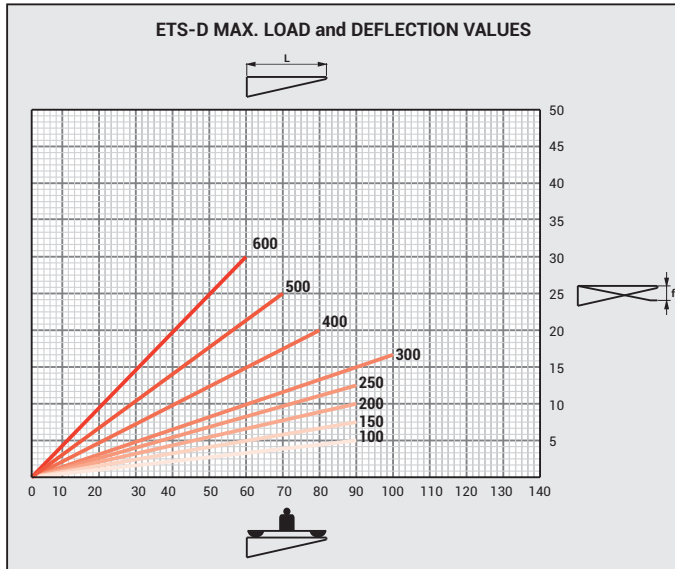
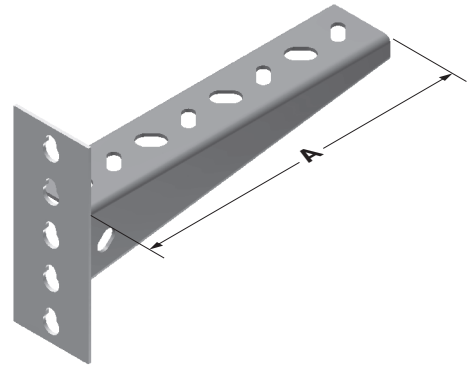
► Design Form

	Component List		
Item	Component	Quantity	Prepared by
			Company : Project : Project No :
			Name : Date : Signature :
			

Please duplicate this page for your own use.

► ETS-D SUPPORT

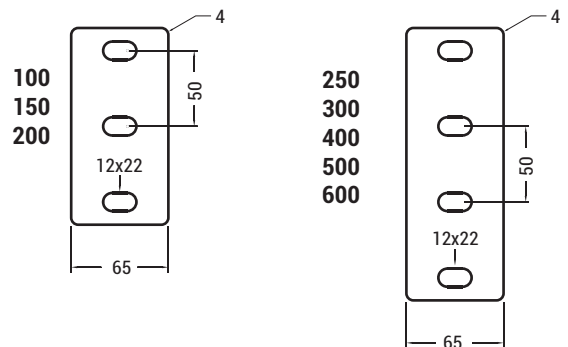
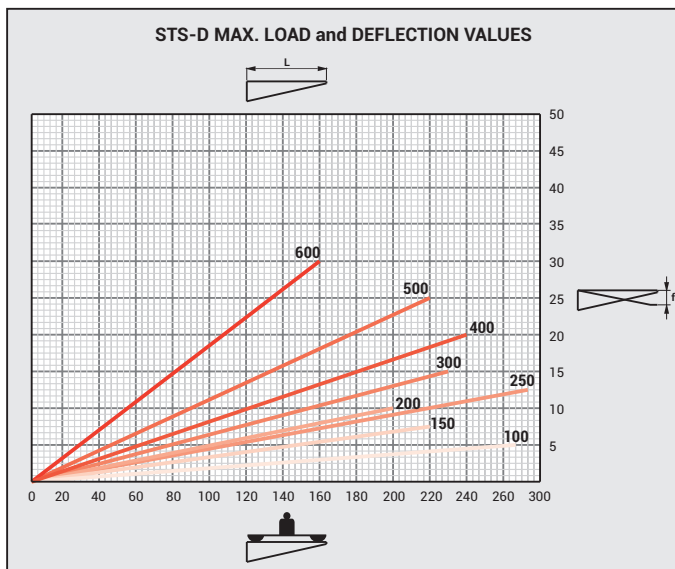
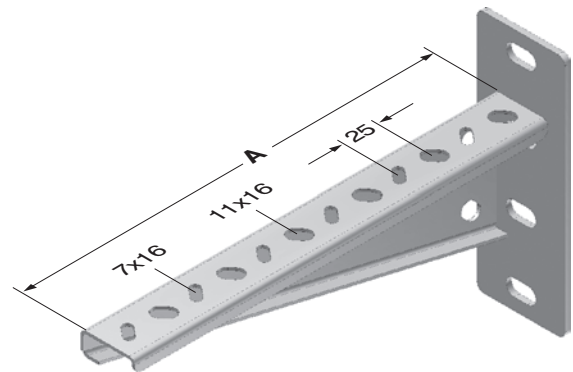
Description	Width (A)	Thickness (T)	Weight (kg/ad)	Hot Dip Order Code
ETS-D 050 SUPPORT FITTINGS	70	2	0,191	3048986
ETS-D 100 SUPPORT FITTINGS	120	2	0,256	3048987
ETS-D 150 SUPPORT FITTINGS	170	2	0,325	3048988
ETS-D 200 SUPPORT FITTINGS	220	2	0,392	3048989
ETS-D 300 SUPPORT FITTINGS	320	2	0,679	3048990
ETS-D 400 SUPPORT FITTINGS	420	2	0,850	3048991
ETS-D 500 SUPPORT FITTINGS	520	2	1,021	3048992
ETS-D 600 SUPPORT FITTINGS	620	2	1,192	3048993



	Max. allowed load value in kg.
	Console length (mm)
	Under the console load allowed, the bending (mm) at the end of the hanger support

► STS-D TRAY SUPPORT

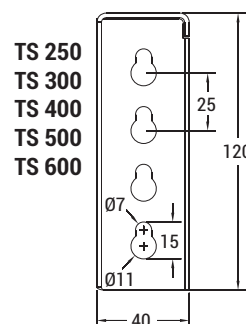
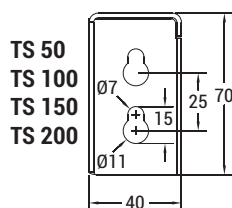
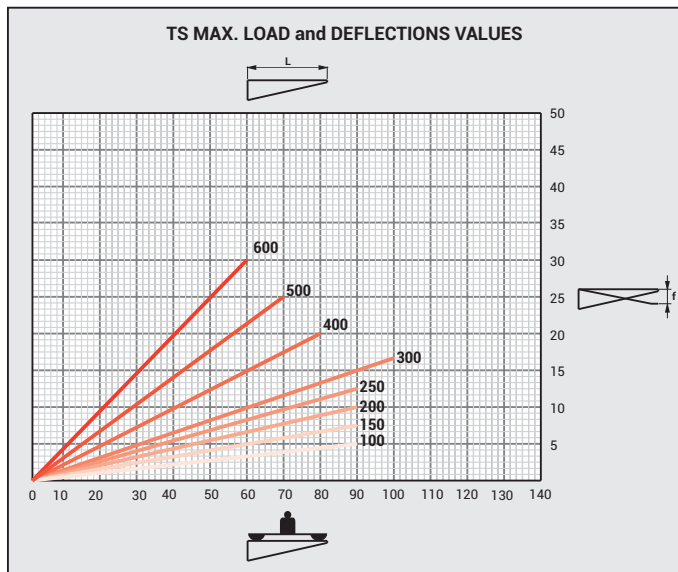
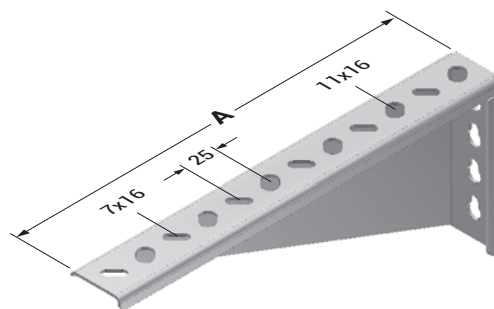
Description	Width (A)	Thickness (T)	Weight (kg/ad)	Hot Dip Order Code
STS-D 100 SUPPORT FITTINGS	120	2	0,429	3007933
STS-D 150 SUPPORT FITTINGS	170	2	0,466	3007932
STS-D 200 SUPPORT FITTINGS	220	2	0,530	3007931
STS-D 250 SUPPORT FITTINGS	270	2	0,811	3007930
STS-D 300 SUPPORT FITTINGS	320	2	0,917	3007929
STS-D 400 SUPPORT FITTINGS	420	2	1,089	3007928
STS-D 500 SUPPORT FITTINGS	520	2	1,266	3007927
STS-D 600 SUPPORT FITTINGS	620	2	1,419	3007926



	Max. allowed load value in kg.
	Console length (mm)
	Under the console load allowed, the bending (mm) at the end of the hanger support

► TS TRAY SUPPORTS

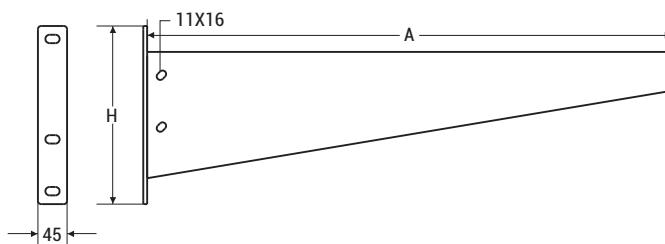
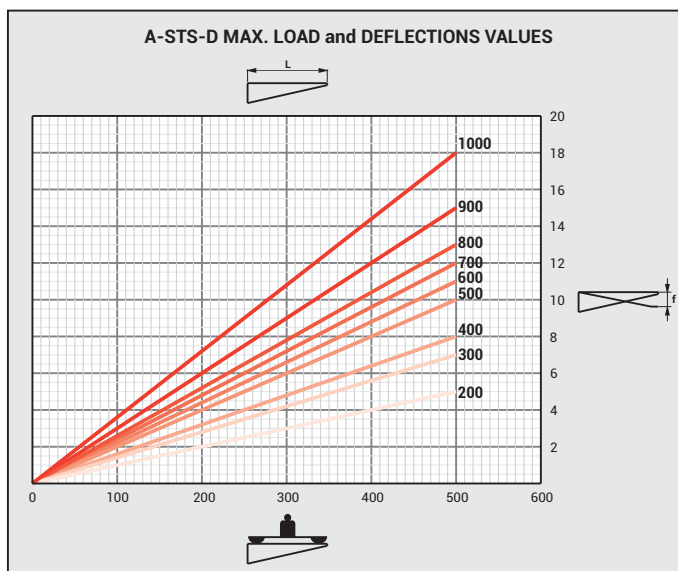
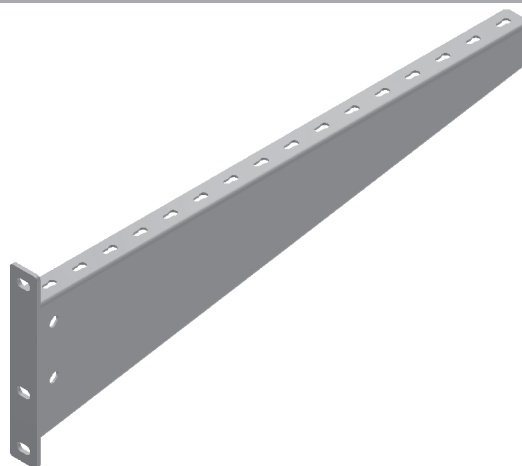
Description	Width (A)	Thickness (A)	Weight (kg/ad)	Pregalvanized Order Code	Weight (kg/ad)	Hot Dip Order Code
TS 050	55	2	0,107	3008556	0,118	3008557
TS 100	105	2	0,165	3008554	0,182	3008555
TS 150	155	2	0,224	3008552	0,246	3008553
TS 200	205	2	0,283	3008550	0,311	3008551
TS 250	255	2	0,474	3008548	0,521	3008549
TS 300	305	2	0,552	3008546	0,607	3008547
TS 400	405	2	0,710	3008544	0,781	3008545
TS 500	505	2	0,868	3008542	0,955	3008543
TS 600	605	2	1,025	3005827	1,128	3005828



	Max. allowed load value in kg.
	Console length (mm)
	Under the console load allowed, the bending (mm) at the end of the hanger support

► A-STSD HEAVY DUTY SUPPORTS

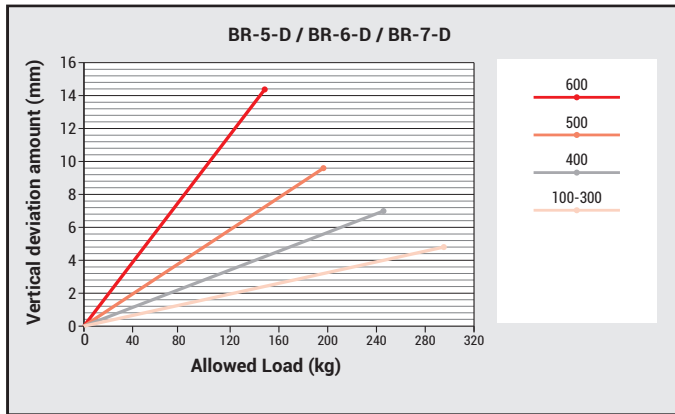
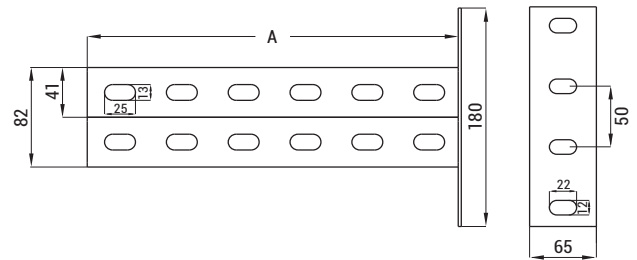
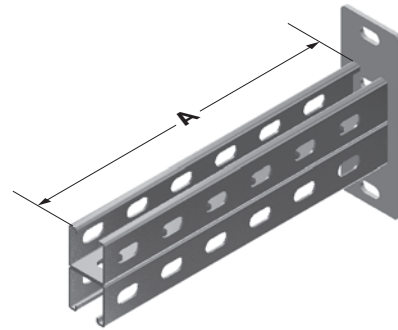
Description	Width (A)	Height (H)	Thickness (T)	Weight (kg/ad)	Hot Dip Order Code
A-STSD 210	210	190	3	1,149	3109007
A-STSD 310	310	190	3	1,586	3109008
A-STSD 410	410	240	3	2,190	3109009
A-STSD 510	510	240	3	2,869	3109010
A-STSD 610	610	240	3	3,455	3109011
A-STSD 710	710	290	3	4,431	3109012
A-STSD 810	810	290	3	4,933	3109013
A-STSD 910	910	290	3	5,435	3109014
A-STSD 1010	1010	290	3	5,936	3109015



	Max. allowed load value in kg.
	Console length (mm)
	Under the console load allowed, the bending (mm) at the end of the hanger support

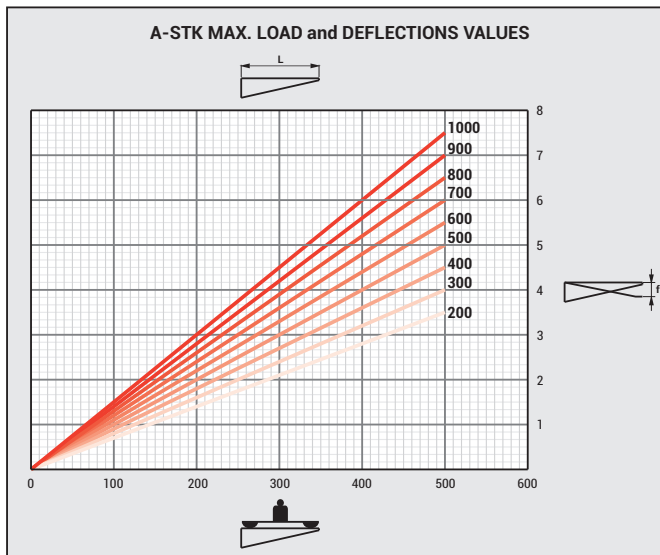
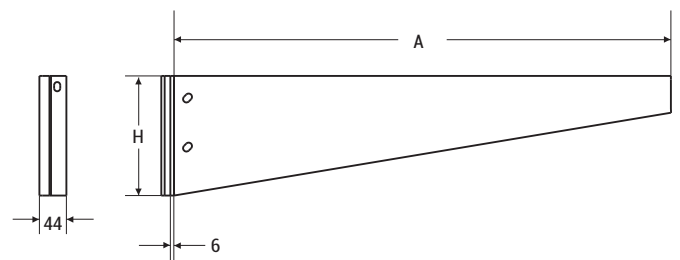
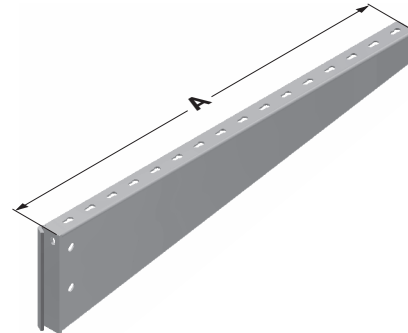
► **BINRAK DOUBLE SUPPORT WITH SINGLE HOLES**

Description	Width (A)	Thickness (T)	Weight (kg/ad)	Hot Dip Order Code
BR 6-D-100	150	2	1,069	3110961
BR 6-D-150	200	2	1,302	3110962
BR 6-D-200	250	2	1,535	3110963
BR 6-D-250	300	2	1,768	3110964
BR 6-D-300	350	2	2,001	3110965
BR 6-D-400	450	2	2,467	3110966
BR 6-D-500	550	2	2,933	3110967
BR 6-D-600	650	2	3,399	3110968



► **A-STK HEAVY DUTY SUPPORTS**

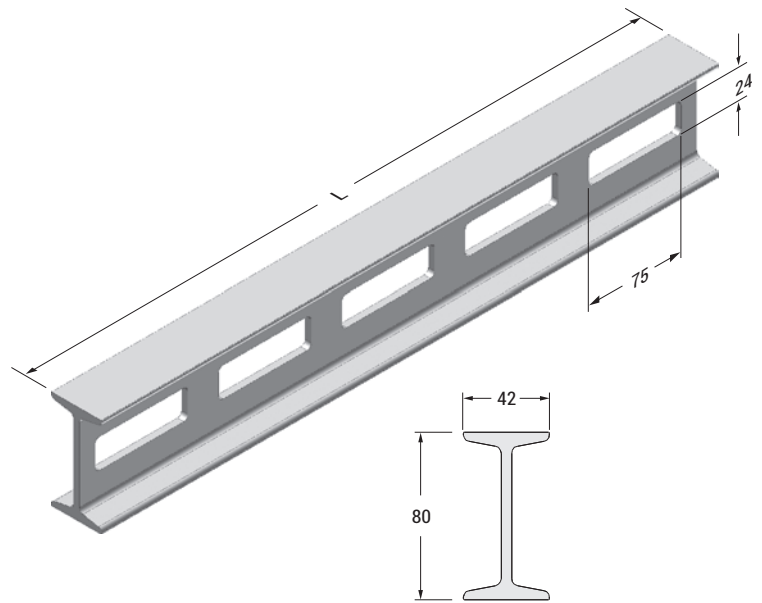
Description	Width (A)	Height (H)	Thickness (T)	Weight (kg/ad)	Hot Dip Order Code
A-STK 200	210	90	3	1,463	3108826
A-STK 300	310	110	3	2,002	3108827
A-STK 400	410	130	3	2,627	3108828
A-STK 500	510	145	3	3,254	3108829
A-STK 600	610	165	3	3,904	3108830
A-STK 700	710	195	3	4,897	3108831
A-STK 800	810	195	3	5,398	3108832
A-STK 900	910	195	3	5,900	3108833
A-STK 1000	1010	195	3	6,401	3108834



	Max. allowed load value in kg.
	Console length (mm)
	Under the console load allowed, the bending (mm) at the end of the hanger support

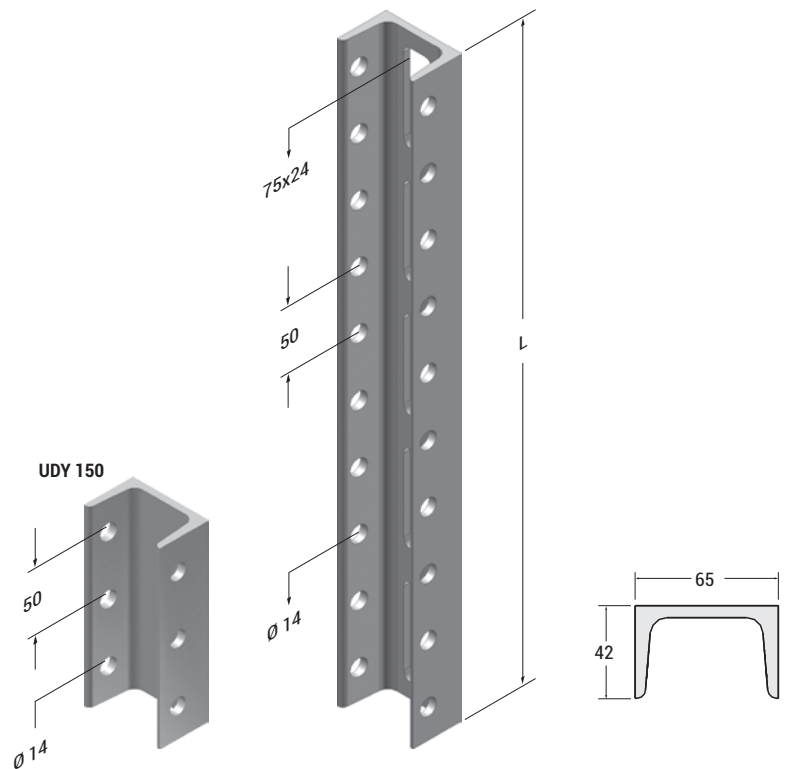
► IDY HEAVY DUTY SUPPORTS (I)

Description	Length (L)	Weight (kg/ad)	Hot Dip Order Code
IDY 300	300	1,700	3008242
IDY 400	400	2,100	3008290
IDY 500	500	2,600	3008289
IDY 600	600	3,300	3008288
IDY 700	700	3,700	3008287
IDY 800	800	4,200	3008286
IDY 900	900	4,700	3008285
IDY 1000	1000	5,300	3008284
IDY 1100	1100	5,700	3008283
IDY 1200	1200	6,200	3008282
IDY 1300	1300	6,900	3008236
IDY 1400	1400	7,300	3008281
IDY 1500	1500	7,900	3008280
IDY 1600	1600	8,500	3008241
IDY 1700	1700	8,900	3008240
IDY 1800	1800	9,400	3008239
IDY 1900	1900	9,900	3008238
IDY 2000	2000	10,500	3008237
IDY 3000	3000	15,700	3030391



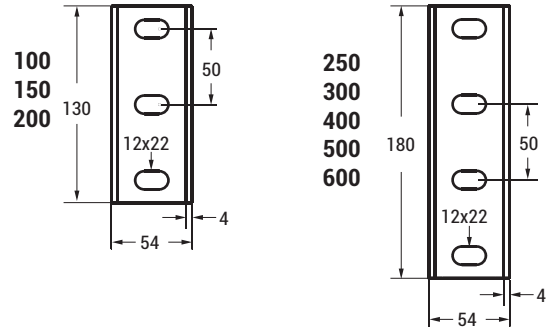
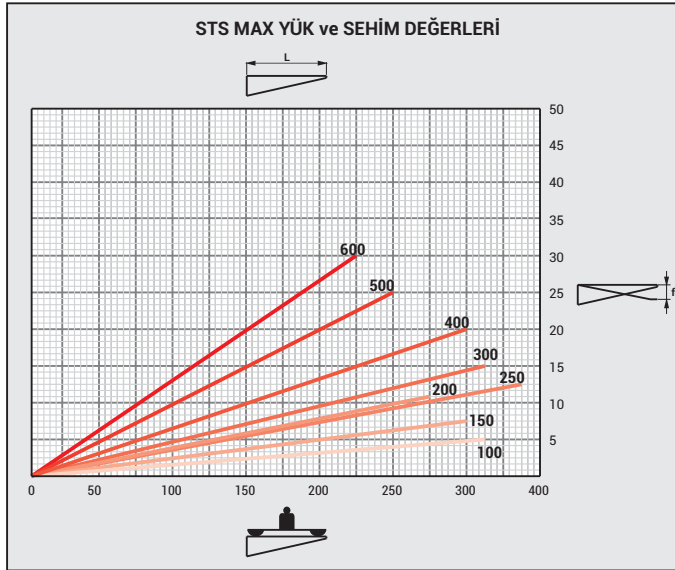
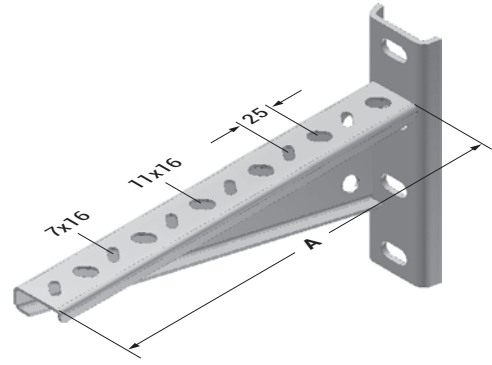
► UDY HEAVY DUTY SUPPORTS (U)

Description	Length (L)	Weight (kg/ad)	Hot Dip Order Code
UDY 150	150	0,900	3008376
UDY 300	300	1,800	3008023
UDY 400	400	2,400	3008024
UDY 500	500	3,000	3008025
UDY 600	600	3,600	3008026
UDY 700	700	4,200	3008027
UDY 800	800	4,800	3008028
UDY 900	900	5,400	3008029
UDY 1000	1000	6,000	3008030
UDY 1100	1100	6,600	3008031
UDY 1200	1200	7,200	3008032
UDY 1300	1300	7,800	3008033
UDY 1400	1400	8,400	3008034
UDY 1500	1500	8,900	3008035
UDY 1600	1600	9,600	3008036
UDY 1700	1700	10,200	3008037
UDY 1800	1800	10,800	3008038
UDY 1900	1900	11,400	3008039
UDY 2000	2000	12,000	3008040



► STS HEAVY DUTY SUPPORTS

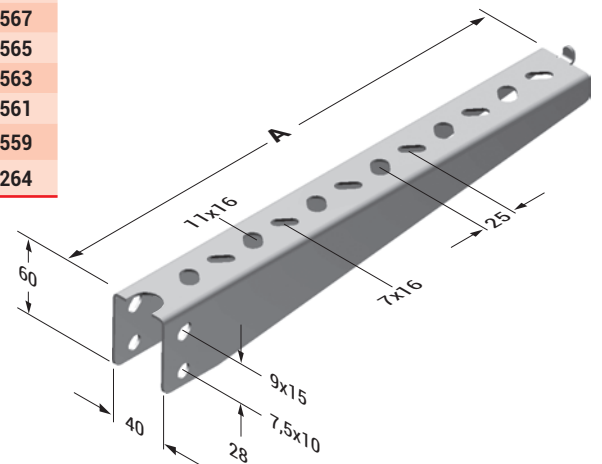
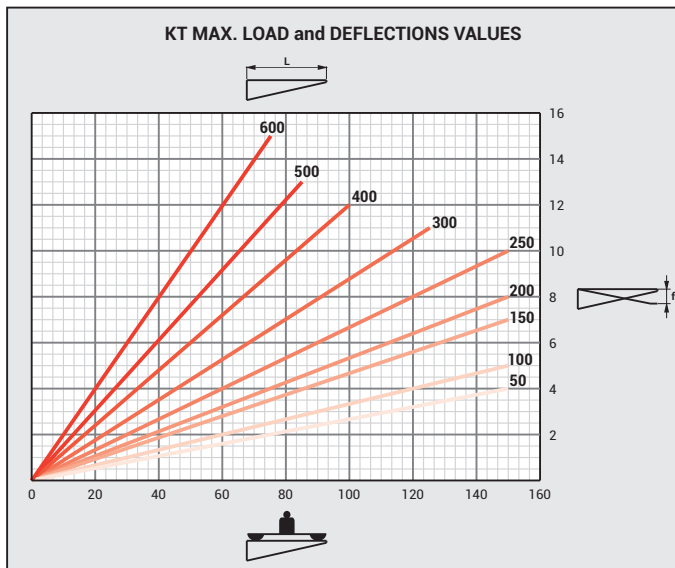
Description	Width (A)	Thickness (T)	Weight (kg/ad)	Hot Dip Order Code
STS 100 SUPPORT FITTINGS	120	2	0,398	3008015
STS 150 SUPPORT FITTINGS	170	2	0,474	3008016
STS 200 SUPPORT FITTINGS	220	2	0,539	3008017
STS 250 SUPPORT FITTINGS	270	2	0,814	3008018
STS 300 SUPPORT FITTINGS	320	2	0,920	3008019
STS 400 SUPPORT FITTINGS	420	2	1,026	3008020
STS 500 SUPPORT FITTINGS	520	2	1,262	3008021
STS 600 SUPPORT FITTINGS	620	2	1,425	3008022



	Max. allowed load value in kg.
	Console length (mm)
	Under the console load allowed, the bending (mm) at the end of the hanger support

► KT TRAY SUPPORTS

Description	Width (A)	Thickness (T)	Weight (kg/ad)	Pregalvanized Order code	Weight (kg/ad)	Hot Dip Order Code
KT 050	90	1,5	0,115	3008572	0,126	3008573
KT 100	140	1,5	0,170	3008570	0,187	3008571
KT 150	190	1,5	0,224	3008568	0,246	3008569
KT 200	240	1,5	0,281	3008566	0,309	3008567
KT 250	290	1,5	0,337	3008564	0,370	3008565
KT 300	340	1,5	0,428	3008562	0,470	3008563
KT 400	440	2	0,682	3008560	0,750	3008561
KT 500	540	2	0,840	3008558	0,924	3008559
KT 600	640	2	0,997	3008263	1,097	3008264

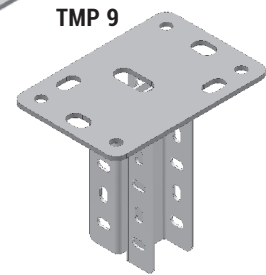
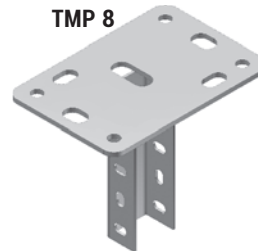
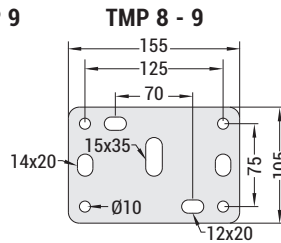
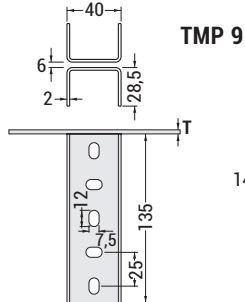
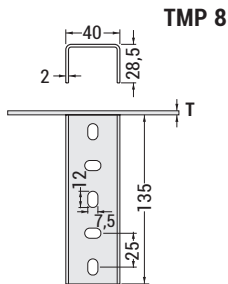
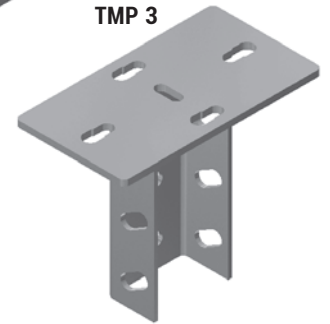
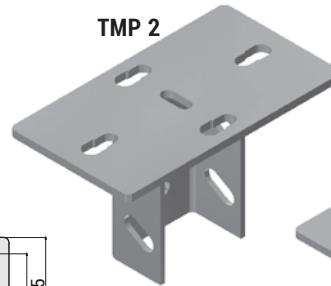
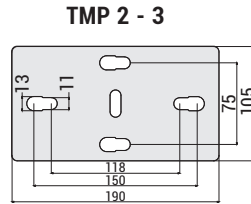
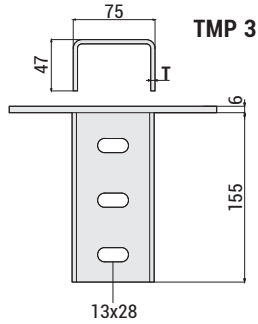
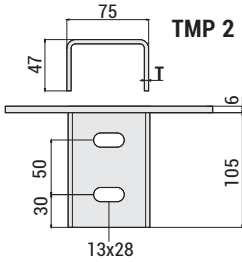


In KT Mounting
Up to A measurement 90-140-190-240 single joiner pin,
From 290 up to 640 double joiner pin is recommended to be used.

	Max. allowed load value in kg.
	Console length (mm)
	Under the console load allowed, the bending (mm) at the end of the hanger support

► CEILING FIXING ELEMENT

Description	Thickness (T)	Tensile Load (kg)	Weight (kg/ad)	Hot Dip Order Code
TMP 2	4	900	1,454	3086553
TMP 3	4	900	1,689	3086554
TMP 8	4	500	0,688	3008382
TMP 9	4	500	0,877	3008383



► CEILING FIXING ELEMENT

Description	Length (L)	Thickness (T)	Tensile Load (kg/pc)	Weight (kg/ad)	Hot Dip Order Code
TMP41 Ceiling Support Unit	70	2	500	0,318	3008232
TMP42 Ceiling Support Unit	120	2	500	0,487	3008233
TMP43 Ceiling Support Unit	170	2	500	0,856	3008234
TMP44 Ceiling Support Unit	220	2	500	1,936	3008235
TMP45 Ceiling Support Unit	320	2	500	3,413	3007952

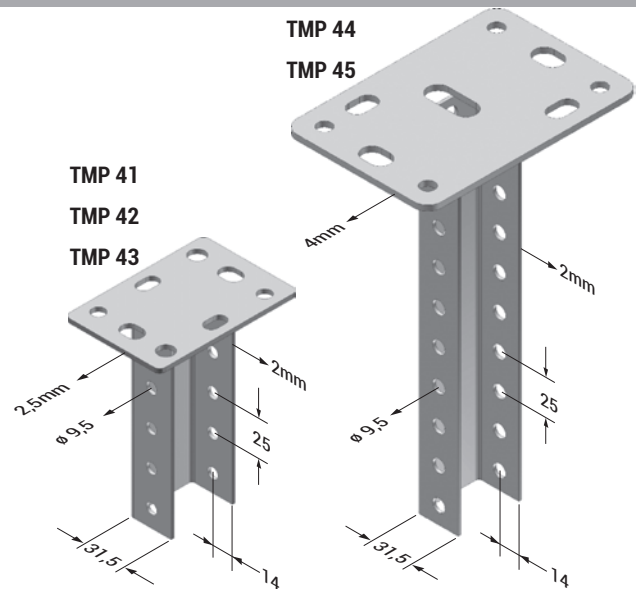
TMP 44

TMP 45

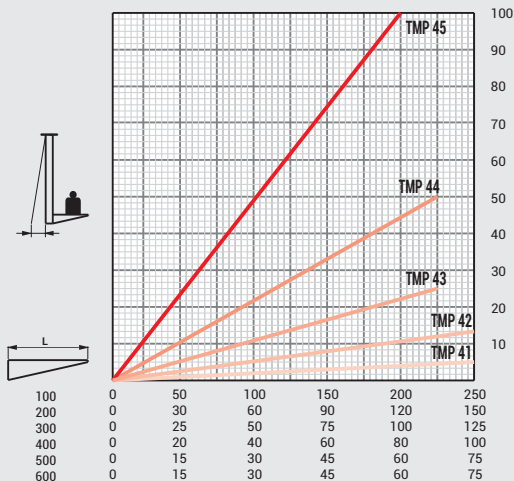
TMP 41

TMP 42

TMP 43



TMP 41-42-43-44-45 MAX. LOAD and DEFLECTIONS VALUES

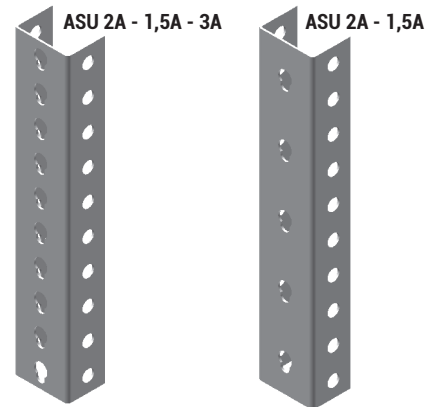


	Max. allowed load value in kg.
	Console length (mm)
	Hanger support distances as indicated in our product Standard
	Under the console load allowed, the bending (mm) at the end of the hanger support

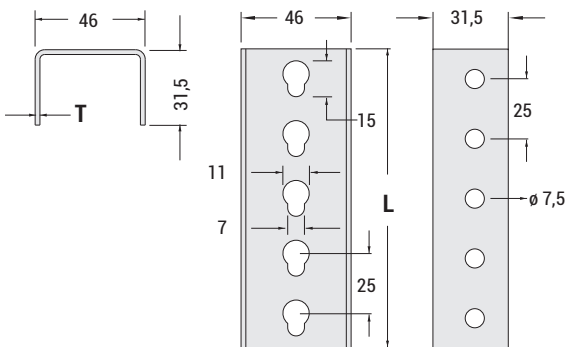
Load values on the table have been specified based on the TS EN 61537 Standard.

▶ SUPPORT EXTENSION UNITS

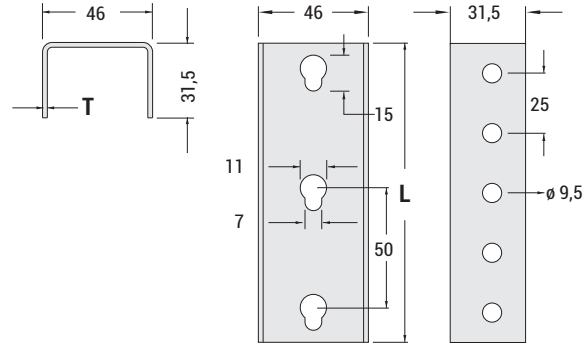
Description	Length (L)	Thickness (T)	Weight (kg/ad)	Pregalvanized Order Code	Weight (kg/ad)	Hot Dip Order Code
ASU 2A-1	125	2	0,200	3008588	0,220	3008589
ASU 2A-2	250	2	0,367	3008586	0,404	3008587
ASU 2A-3	500	2	0,738	3008584	0,812	3008585
ASU 2A-4	1000	2	1,477	3008582	1,625	3008583
ASU 2A-5	2000	2	2,953	3008167	3,248	3008168
ASU 2A-6	3000	2	4,430	3008174	4,873	3008175
ASU 1,5A-4	1000	1,5	1,103	3086455	1,213	3086459
ASU 1,5A-5	2000	1,5	2,206	3086457	2,427	3086460
ASU 1,5A-6	3000	1,5	3,309	3086458	3,640	3086461
ASU 3A-4	1000	3	-	-	2,455	3086433
ASU 3A-5	2000	3	-	-	4,911	3086434
ASU 3A-6	3000	3	-	-	7,365	3086435



ASU 2A - 1,5A - 3A

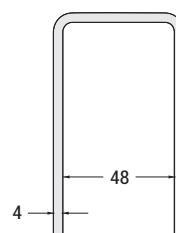
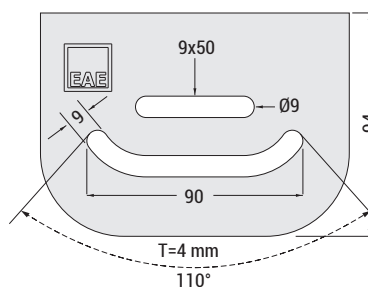
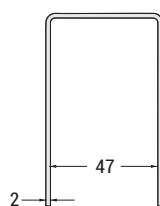
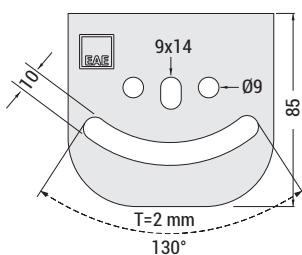
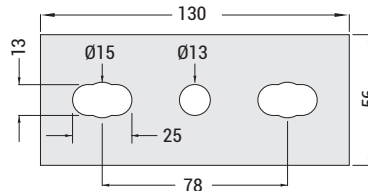
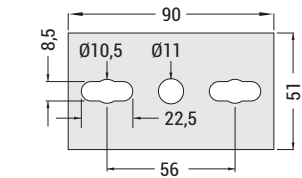


ASU 2A - 1,5A (Hot Dip)



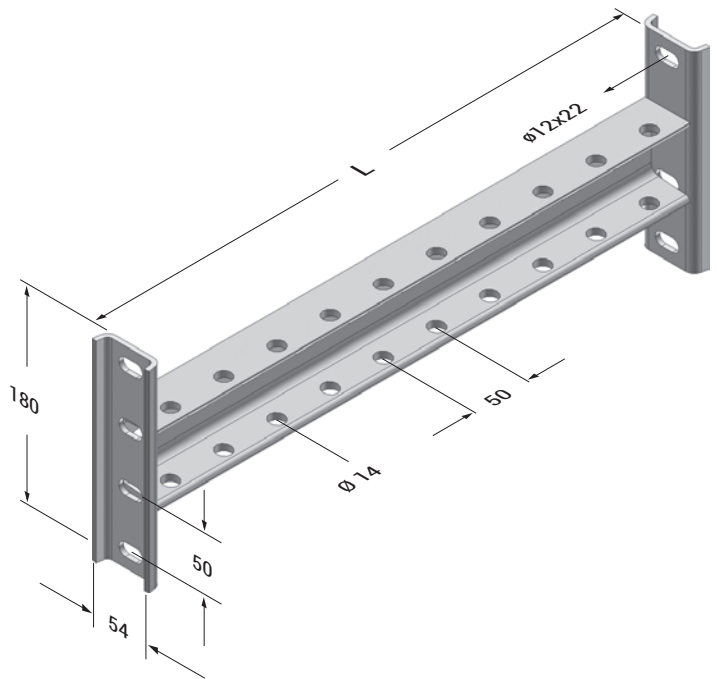
▶ CEILING MOUNTING FITTINGS

Description	Thickness (T)	Weight (kg/ad)	Pregalvanized Order Code	Weight (kg/ad)	Hot Dip Order Code
TMP 6 Ceiling Fixing Modules	2	0269	3008379	0,296	3008380
TMP 6 Ceiling Fixing Modules	4	-	-	0,884	3006349



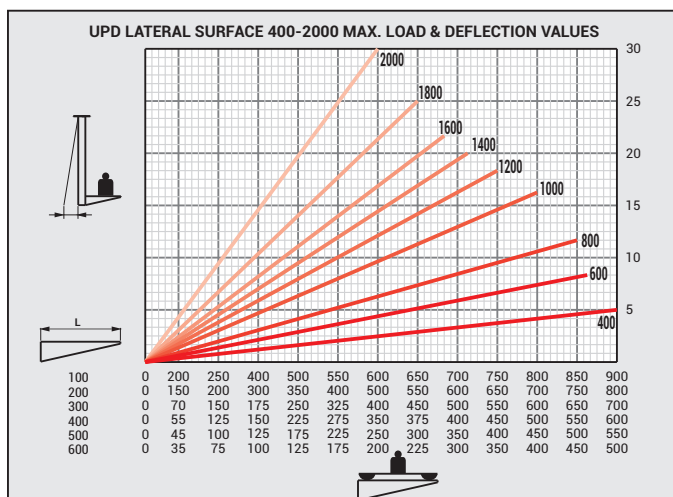
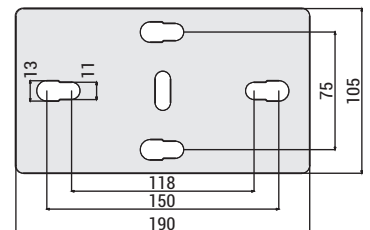
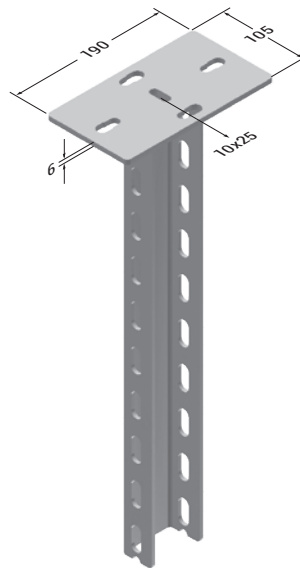
► **UDBY HEAVY DUTY SUPPORTS (U)**

Description	Length (L)	Weight (kg/ad)	Hot Dip Order Code
UDYB 300	350	2,866	3007989
UDYB 400	450	3,458	3007990
UDYB 500	550	4,048	3007991
UDYB 600	650	4,640	3007992
UDYB 700	750	5,237	3007993
UDYB 800	850	5,856	3007994
UDYB 900	950	6,433	3007995
UDYB 1000	1050	7,031	3007996



► **UPD HEAVY DUTY TYPE SUPPORTS**

Description	Length (A)	Tensile Load (kg)	Weight (kg/ad)	Hot Dip Order Code
UPD 300	300	900	2,101	3004510
UPD 400	400	900	2,497	3004512
UPD 500	500	900	2,882	3004514
UPD 600	600	900	3,267	3004516
UPD 700	700	900	3,674	3004518
UPD 800	800	900	4,056	3004519
UPD 900	900	900	4,451	3004520
UPD 1000	1000	900	4,837	3004521
UPD 1100	1100	900	5,226	3004522
UPD 1200	1200	900	5,610	3004523
UPD 1300	1300	900	6,006	3004524
UPD 1400	1400	900	6,391	3004525
UPD 1500	1500	900	6,787	3004526
UPD 1600	1600	900	7,172	3004527
UPD 1700	1700	900	7,570	3004528
UPD 1800	1800	900	7,960	3004529
UPD 1900	1900	900	8,349	3004530
UPD 2000	2000	900	8,741	3004531
UPD 3000	3000	900	12,645	3030393

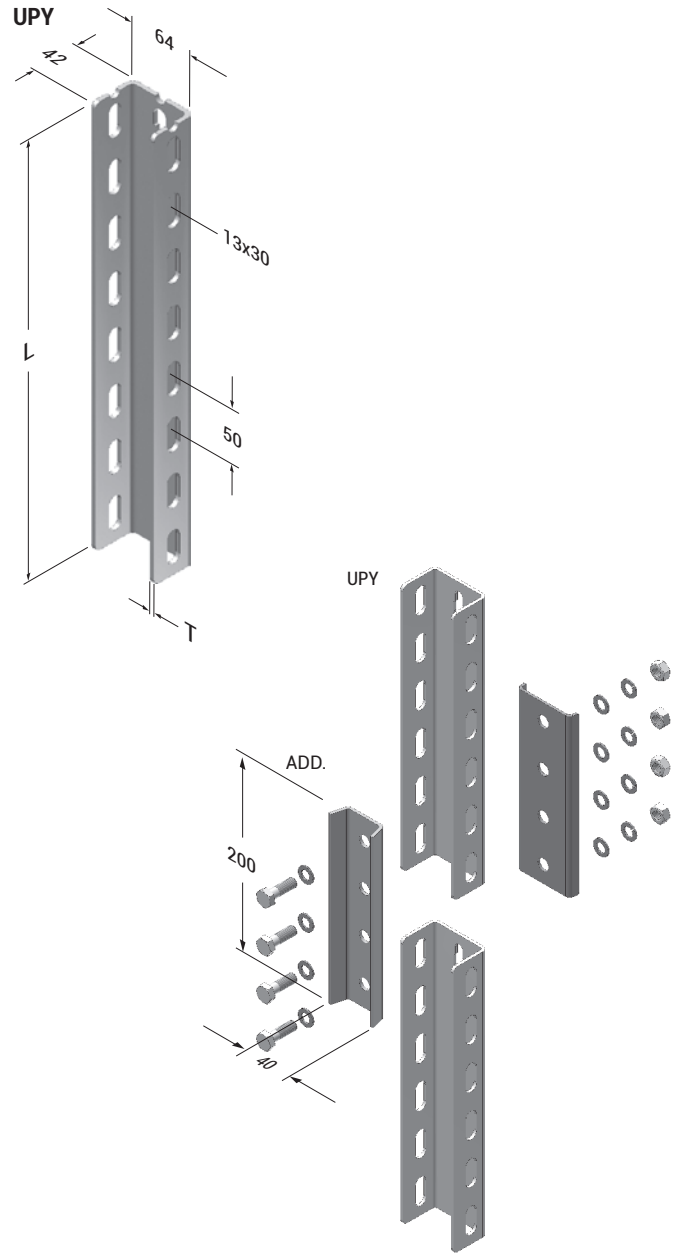


	Max. allowed load value in kg.
	Console length (mm)
	Hanger support distances as indicated in our product Standard
	Under the allowed console load Deflection at the support bracket end (mm)

Load values on the table have been specified based on the TS EN 61537 Standard.

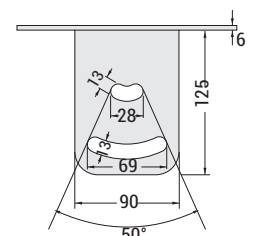
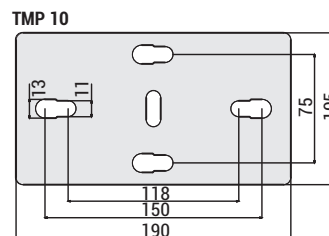
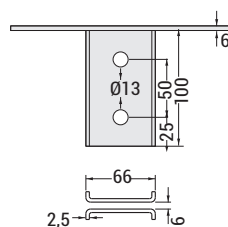
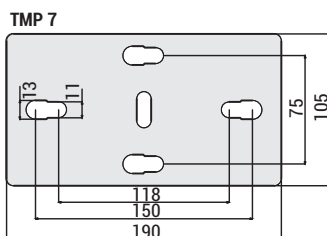
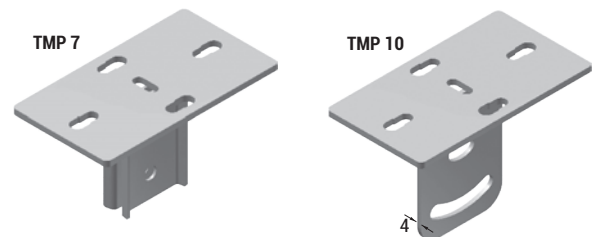
▶ UPY HEAVY DUTY SUPPORTS (U)

Description	Thickness (T)	Length (L)	Weight (kg/ad)	Hot Dip Order Code
UPY 150	3	150	0,451	3004419
UPY 300	3	300	0,902	3004420
UPY 400	3	400	1,203	3004422
UPY 500	3	500	1,507	3004424
UPY 600	3	600	1,804	3004426
UPY 700	3	700	2,112	3004428
UPY 800	3	800	2,398	3004429
UPY 900	3	900	2,695	3004430
UPY 1000	3	1000	3,037	3004431
UPY 1100	3	1100	3,307	3004432
UPY 1200	3	1200	3,608	3004433
UPY 1300	3	1300	3,905	3004434
UPY 1400	3	1400	4,202	3004435
UPY 1500	3	1500	4,555	3004436
UPY 1600	3	1600	4,818	3004437
UPY 1700	3	1700	5,115	3004438
UPY 1800	3	1800	5,412	3004439
UPY 1900	3	1900	5,712	3004440
UPY 2000	3	2000	6,012	3004441
UPY 3000	3	3000	9,020	3001953
UPY 150	4	150	0,586	3004486
UPY 300	4	300	1,172	3004487
UPY 400	4	400	1,562	3004489
UPY 500	4	500	1,956	3004491
UPY 600	4	600	2,343	3004493
UPY 700	4	700	2,728	3004495
UPY 800	4	800	3,124	3004496
UPY 900	4	900	3,515	3004497
UPY 1000	4	1000	3,945	3004498
UPY 1100	4	1100	4,296	3004499
UPY 1200	4	1200	4,686	3004500
UPY 1300	4	1300	5,071	3004501
UPY 1400	4	1400	5,467	3004502
UPY 1500	4	1500	5,917	3004503
UPY 1600	4	1600	6,248	3004504
UPY 1700	4	1700	6,633	3004505
UPY 1800	4	1800	7,029	3004506
UPY 1900	4	1900	7,414	3004507
UPY 2000	4	2000	7,811	3004508
UPY 3000	4	3000	11,716	3001954



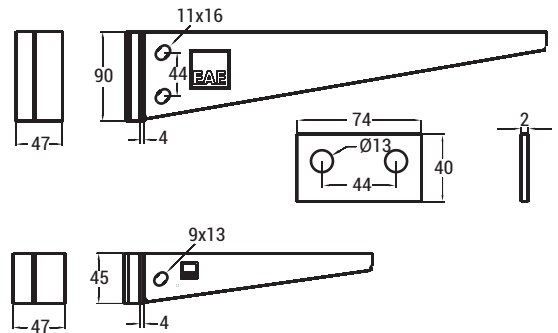
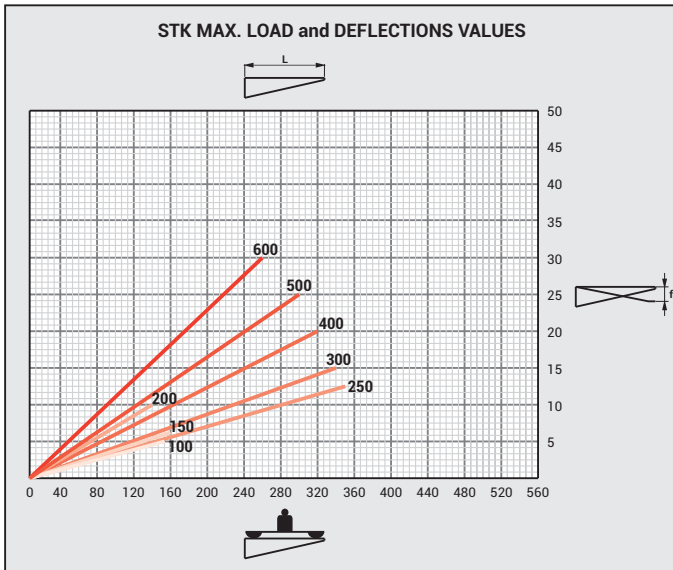
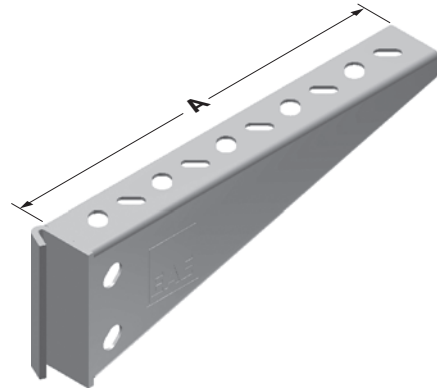
▶ CEILING MOUNTING FITTINGS

Description	Weight (kg/ad)	Hot Dip Order Code
TMP 7 Ceiling Support Unit	1,218	3008381
TMP 10 Ceiling Support Unit	1,298	3007922



► **STK HEAVY DUTY SUPPORTS**

Description	Width (A)	Thickness (T)	Weight (kg/ad)	Hot Dip Order Code
STK 100	120	2	0,350	3008198
STK 150	170	2	0,417	3008114
STK 200	220	2	0,519	3008296
STK 250	270	2	0,892	3008295
STK 300	320	2	1,044	3008294
STK 400	420	2	1,215	3008293
STK 500	520	2	1,387	3008292
STK 600	620	2	1,557	3008291

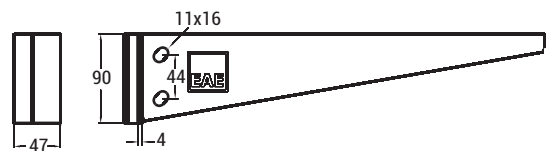
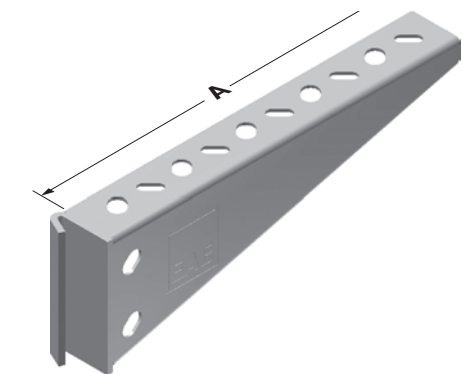
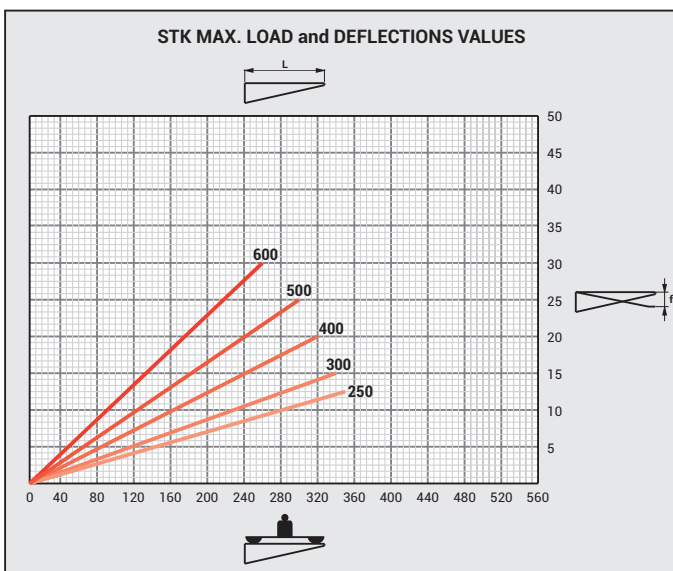


	Max. allowed load value in kg.
	Console length (mm)
	Under the console load allowed, the bending (mm) at the end of the hanger support

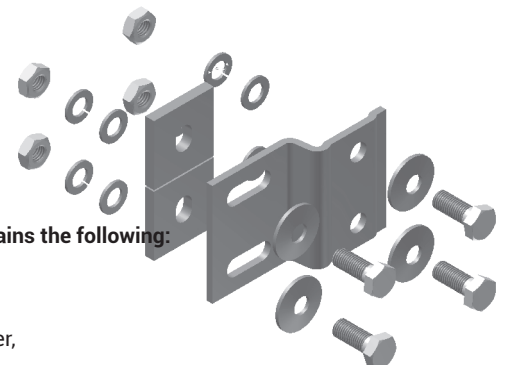
► **STK-M HEAVY DUTY SUPPORTS**

Description	Width (A)	Thickness (T)	Weight (kg/ad)	Hot Dip Order Code
STK-M 250	270	2	1,277	3110215
STK-M 300	320	2	1,363	3110216
STK-M 400	420	2	1,534	3110217
STK-M 500	520	2	1,706	3110218
STK-M 600	620	2	1,876	3110219

■ STK-M Bolt set is provided with the product.

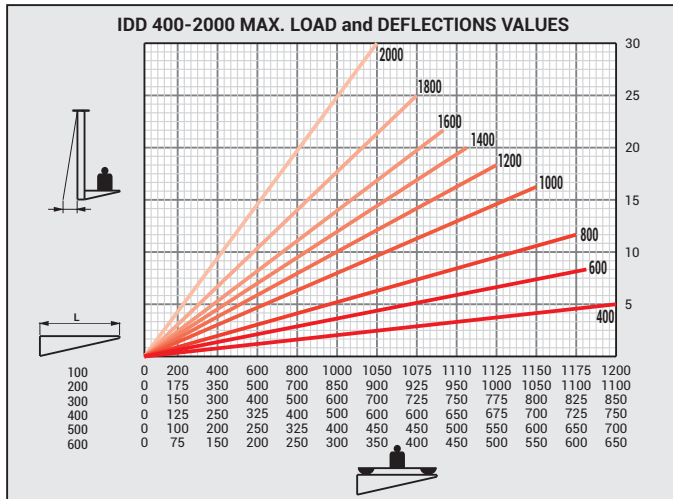
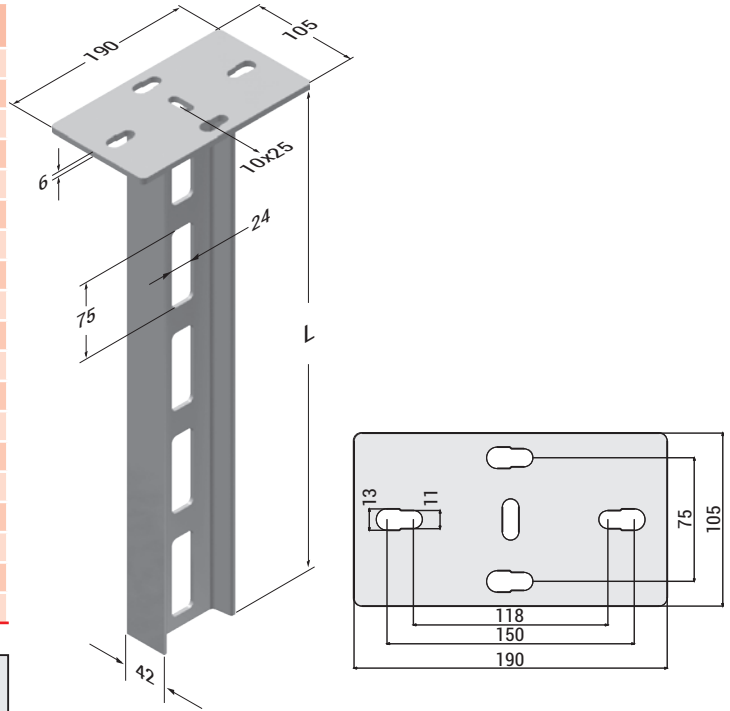


STK-M Bolt Set contains the following:
 4 x M10x35 Bolt,
 4 x M10 Cup Washer,
 4 x M10 Washer,
 4 x M10 Plain Washer,
 4 x M10 Nut,
 2 x BR1-1 Square Washer, 1 x STK-M Tab



► **IDD HEAVY DUTY TYPE SUPPORTS**

Description	Length (L)	Tensile Load (kg)	Weight (kg/ad)	Hot Dip Order Code
IDD 300	300	1200	2,650	3008314
IDD 400	400	1200	3,050	3008313
IDD 500	500	1200	3,550	3008312
IDD 600	600	1200	4,250	3008311
IDD 700	700	1200	4,650	3008310
IDD 800	800	1200	5,150	3008309
IDD 900	900	1200	5,650	3008308
IDD 1000	1000	1200	6,250	3008307
IDD 1100	1100	1200	6,650	3008306
IDD 1200	1200	1200	7,150	3008305
IDD 1300	1300	1200	7,850	3008304
IDD 1400	1400	1200	8,250	3008303
IDD 1500	1500	1200	8,850	3008302
IDD 1600	1600	1200	9,450	3008301
IDD 1700	1700	1200	9,850	3008300
IDD 1800	1800	1200	10,350	3008299
IDD 1900	1900	1200	10,850	3008298
IDD 2000	2000	1200	11,450	3008297
IDD 3000	3000	1200	16,650	3030392

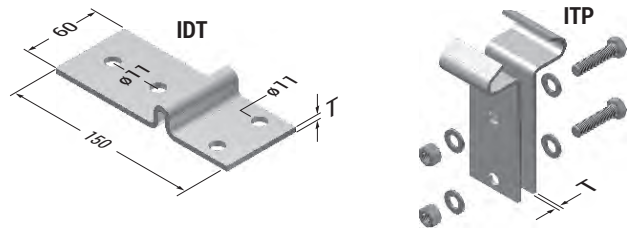


	Max. allowed load value in kg.
	Console length (mm)
	Hanger support distances as indicated in our product Standard
	Under the console load allowed, the bending (mm) at the end of the hanger support

Load values on the table have been specified based on the TS EN 61537 Standard.

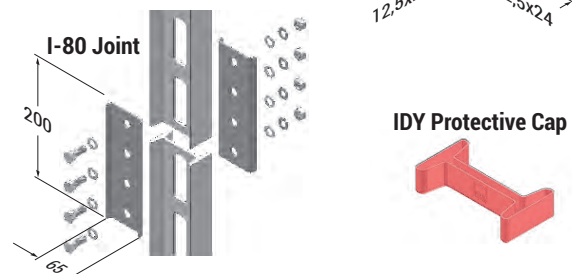
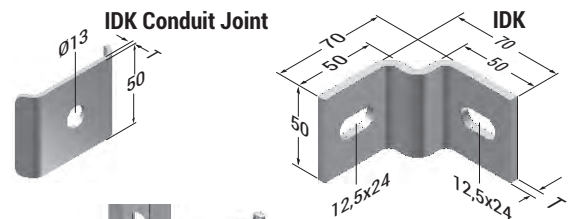
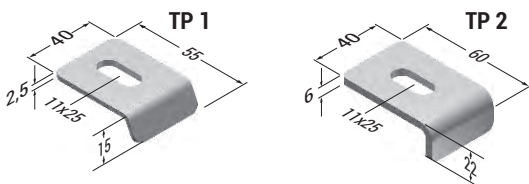
► **SUPPORT FITTINGS**

Description	Thickness (T)	Weight (kg/ad)	Hot Dip Order Code	Pack (pc)
IDT Support Fittings	4	0,815	3008279	10
ITP Retainer	4	0,801	3004336	10
IDK Support Fittings	4	0,226	3008278	20
IDK Conduit Joint	2,5	0,081	3006348	-
I-80 I Profile Add.	2,5	0,312	3008231	20
IDY Protective Cap	-	-	1002278	-



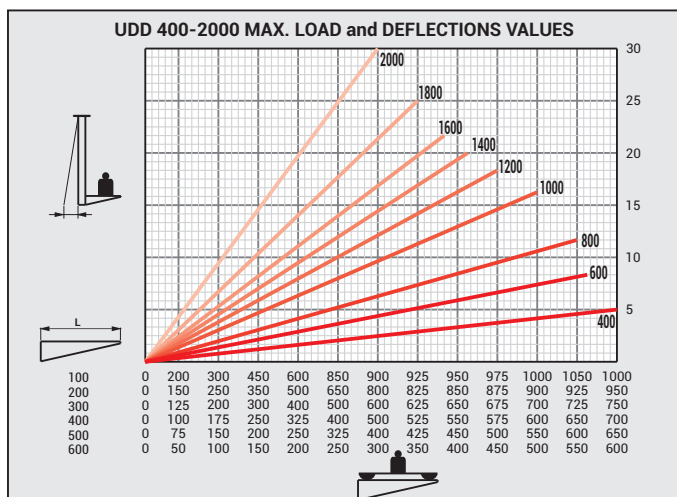
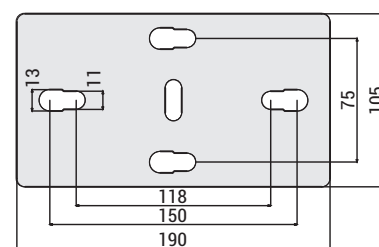
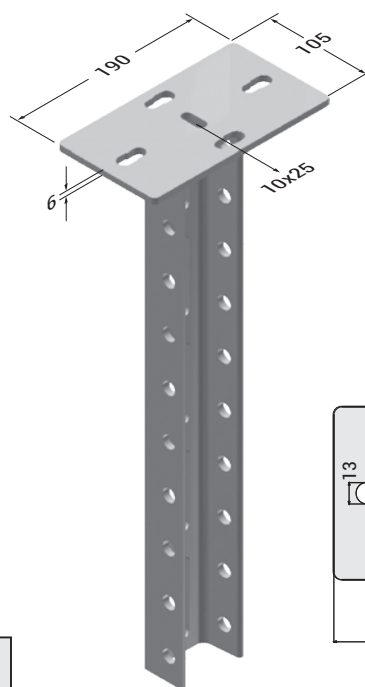
► **SUPPORT FITTINGS (Alkali Zinc)**

Description	Thickness (T)	Weight (kg/ad)	Alkali Zinc Order Code
TP 1 Tespit Parçası	2,5	0,050	3006649
TP 2 Tespit Parçası	6	0,134	3006350



► UDD HEAVY DUTY SUPPORTS

Description	Length (L)	Tensile Load (kg)	Weight (kg/ad)	Hot Dip Order Code
UDD 300	300	1000	2,750	3007997
UDD 400	400	1000	3,350	3007998
UDD 500	500	1000	3,950	3007999
UDD 600	600	1000	4,550	3008000
UDD 700	700	1000	5,150	3008001
UDD 800	800	1000	5,750	3008002
UDD 900	900	1000	6,350	3008003
UDD 1000	1000	1000	6,950	3008004
UDD 1100	1100	1000	7,550	3008005
UDD 1200	1200	1000	8,150	3008006
UDD 1300	1300	1000	8,750	3008007
UDD 1400	1400	1000	9,350	3008008
UDD 1500	1500	1000	9,850	3008009
UDD 1600	1600	1000	10,550	3008010
UDD 1700	1700	1000	11,150	3008011
UDD 1800	1800	1000	11,750	3008012
UDD 1900	1900	1000	12,350	3008013
UDD 2000	2000	1000	12,950	3008014



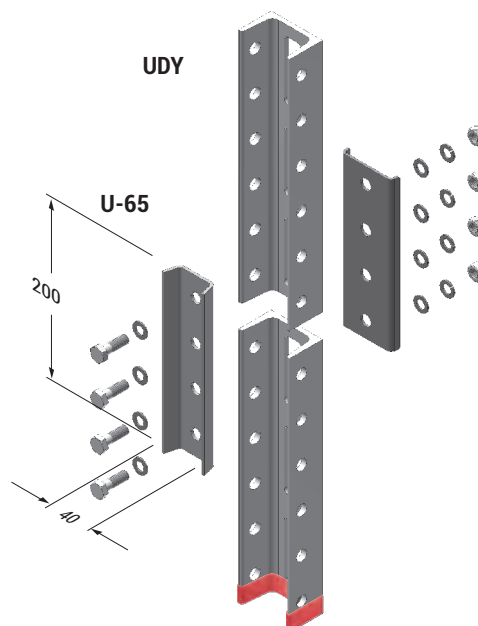
	Max. allowed load value in kg.
	Console length (mm)
	Hanger support distances as indicated in our product Standard
	Under the console load allowed, the bending (mm) at the end of the hanger support

Load values on the table have been specified based on the TS EN 61537 Standard.

► CEILING MOUNTING FITTINGS

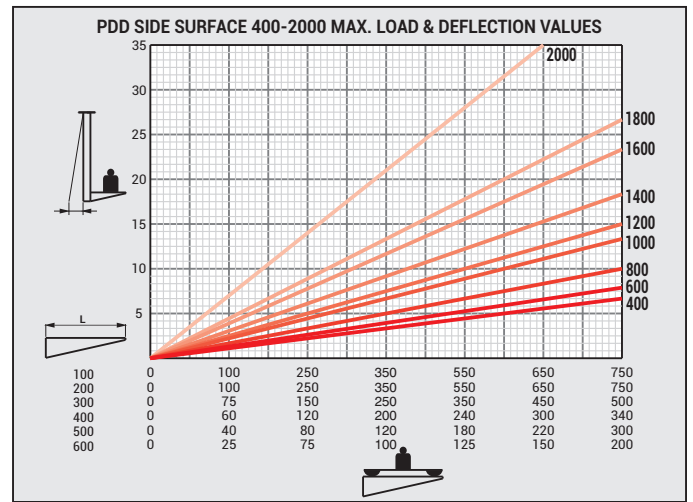
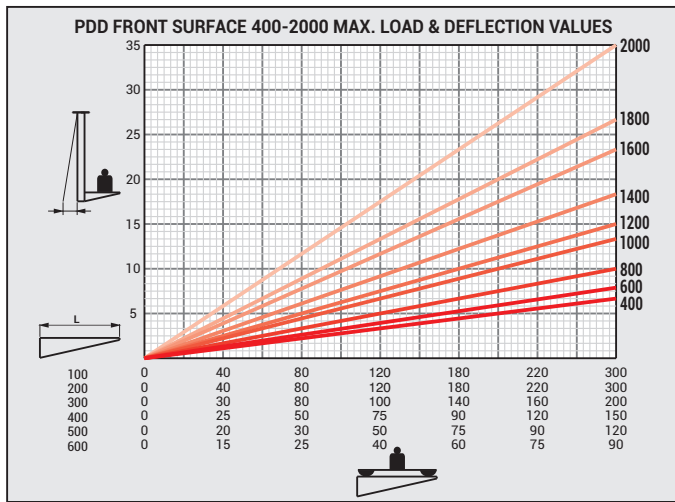
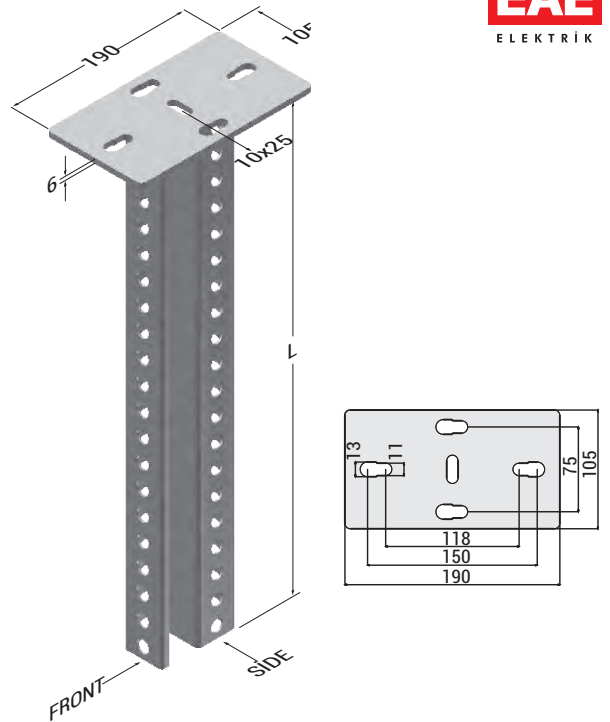
Description	Thickness (T)	Weight (kg/ad)	Hot Dip Order Code
U-65 U Profile Add. Fittings	2,5	0,191	3006642
UDY Protective Cover	-	0,256	1002279

UDY Protective Cover



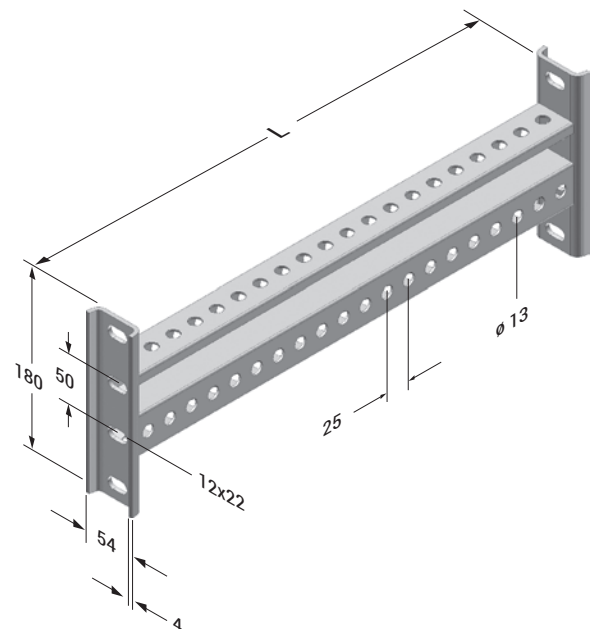
▶ PDD UNIVERSAL SUPPORTS

Description	Thickness (T)	Length (L)	Tensile Load Front (kg)	Tensile Load Side (kg)	Weight (kg/ad)	Hot Dip Order Code
PDD 300	2	300	500	750	1,909	3007953
PDD 400	2	400	500	750	2,230	3007954
PDD 500	2	500	500	750	2,553	3007955
PDD 600	2	600	500	750	2,871	3007956
PDD 700	2	700	500	750	3,518	3007957
PDD 800	2	800	500	750	3,841	3007958
PDD 900	2	900	500	750	4,160	3007959
PDD 1000	2	1000	500	750	4,485	3007960
PDD 1100	2	1100	500	750	4,807	3007961
PDD 1200	2	1200	500	750	5,129	3007962
PDD 1300	2	1300	500	750	5,451	3007963
PDD 1400	2	1400	500	750	5,773	3007964
PDD 1500	2	1500	500	750	6,093	3007965
PDD 1600	2	1600	500	750	6,421	3007966
PDD 1700	2	1700	500	750	6,737	3007967
PDD 1800	2	1800	500	750	7,059	3007968
PDD 1900	2	1900	500	750	7,381	3007969
PDD 2000	2	2000	500	750	7,703	3007970



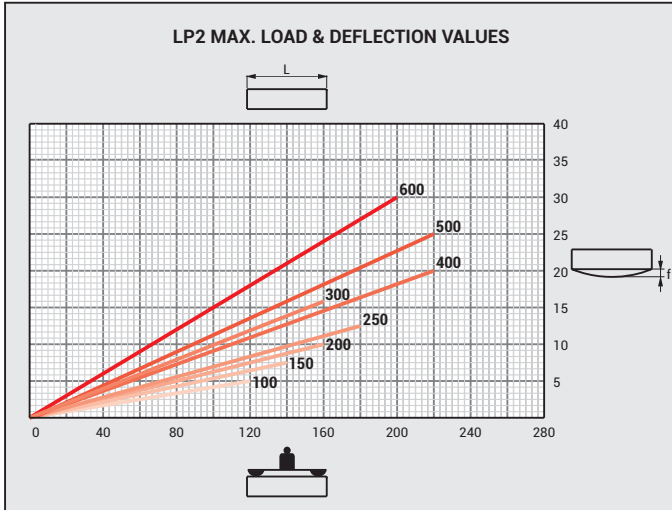
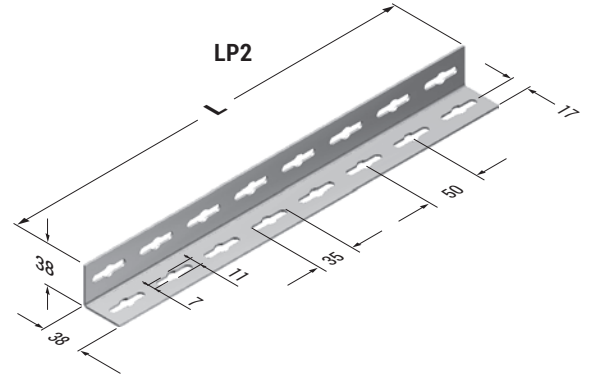
▶ UNIVERSAL SUPPORTS

Description	Thickness (T)	Length (L)	Weight (kg/ad)	Hot Dip Order Code
Pddb 300	2	350	1,898	3007971
Pddb 400	2	450	2,226	3007972
Pddb 500	2	550	2,552	3007973
Pddb 600	2	650	2,879	3007974
Pddb 700	2	750	3,207	3007975
Pddb 800	2	850	3,534	3007976
Pddb 900	2	950	3,861	3007977
Pddb 1000	2	1050	4,188	3007978



► TRAY SUPPORTS FOR THREADED RODS (L)

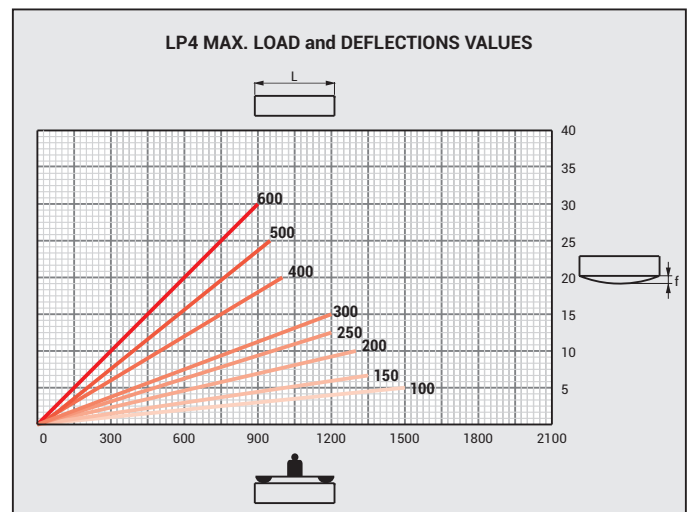
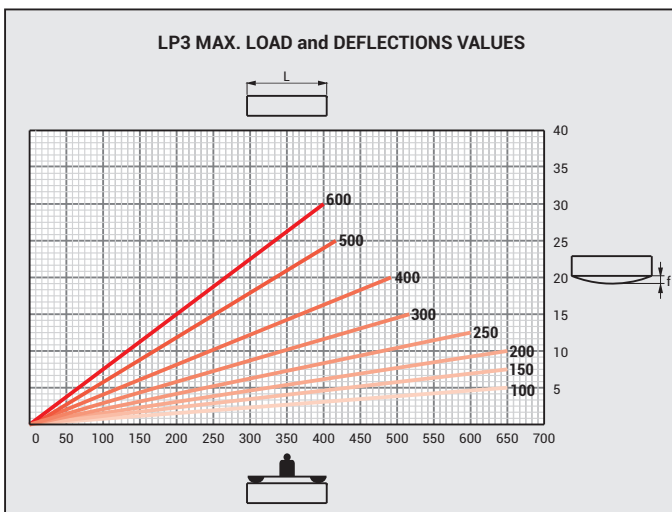
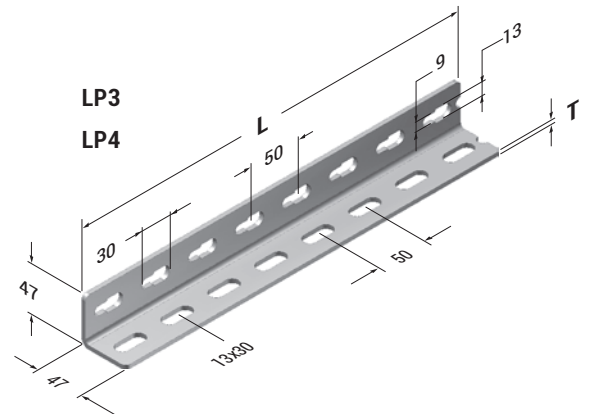
Description	Thickness (T)	Length (L)	Weight (kg/ad)	Pregalvanized Order Code	Weight (kg/ad)	Hot Dip Order Code
LP2 1000	2	1000	0,980	3001959	1,078	3001960
LP2 2000	2	2000	1,959	3001961	2,155	3001962
LP2 3000	2	3000	2,939	3001963	3,233	3001964



	Max. allowed load value in kg.
	Console length (mm)
	Under the allowed console load Deflection at the support bracket end (mm)

► HEAVY DUTY SUPPORTS (L)

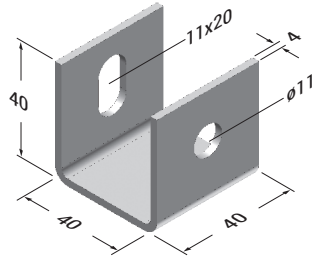
Description	Thickness (T)	Length (L)	Weight (kg/ad)	Hot Dip Order Code
LP3 1000	3	1000	1,781	3004563
LP3 2000	3	2000	3,566	3004565
LP3 3000	3	3000	5,350	3004566
LP4 1000	4	1000	2,323	3004568
LP4 2000	4	2000	4,651	3004570
LP4 3000	4	3000	6,979	3004571



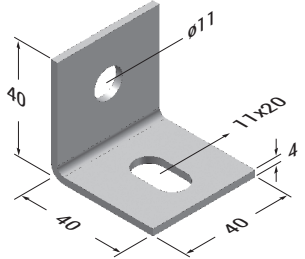
► CEILING MOUNTING FITTINGS

Description	Capacity (kg)	Weight (kg/ad)	Alkali Zinc Order Code
"U" Ceiling Mounting Fitting	70	0,191	3048986
"L" Ceiling Mounting Fitting	120	0,256	3048987

"U" Ceiling Mounting Fitting

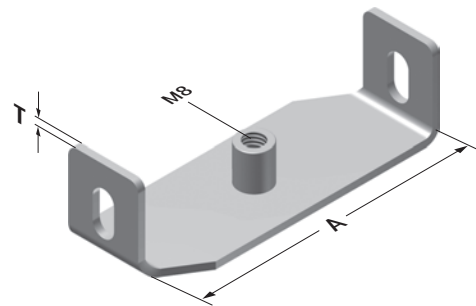
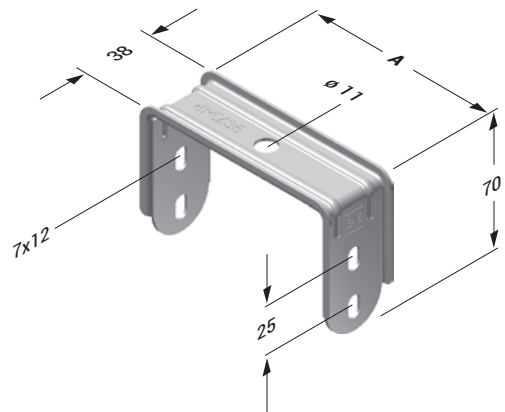
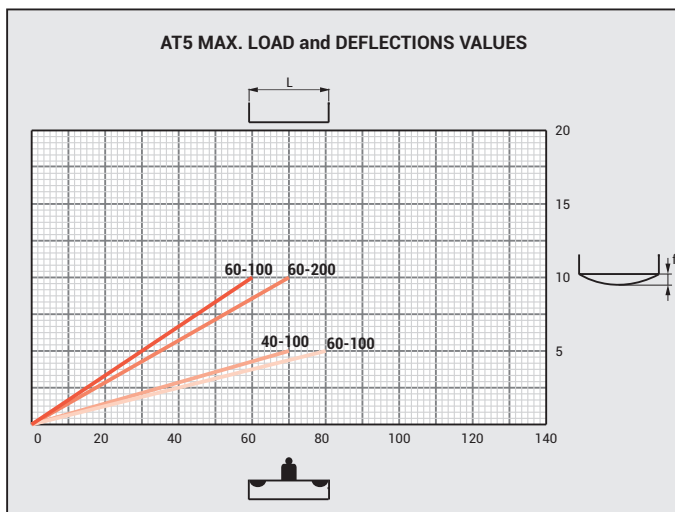
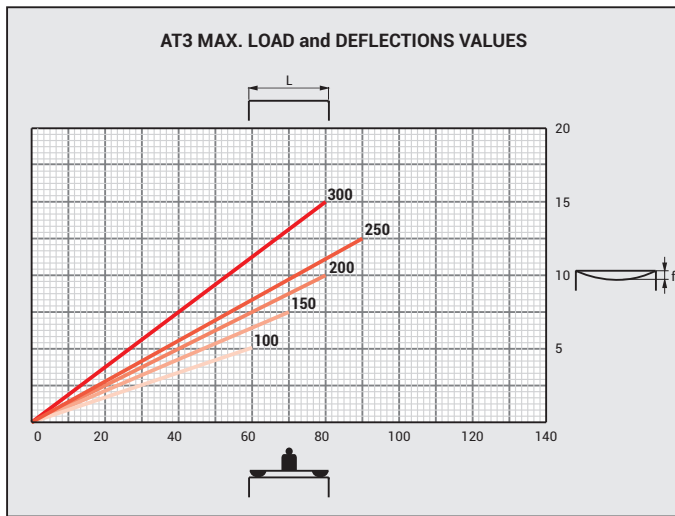


"L" Ceiling Mounting Fitting



► TRAY SUPPORTS FOR THREADED RODS

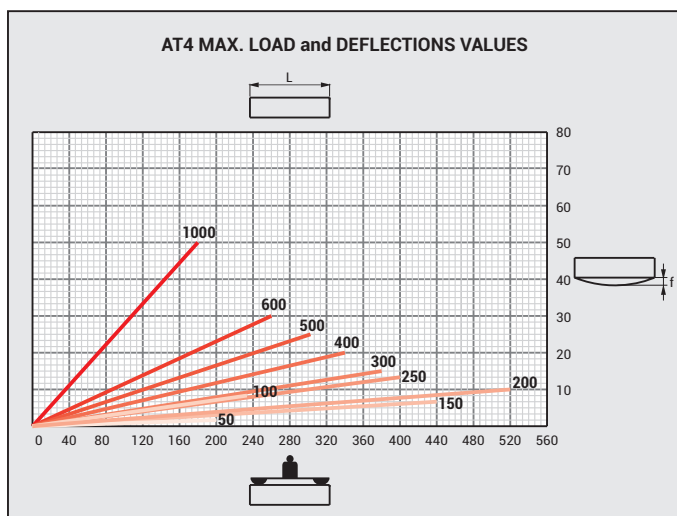
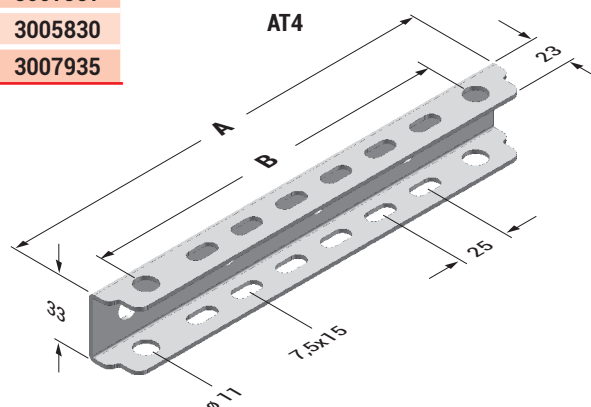
Description	Thickness (T)	Width (A)	Weight (kg/ad)	Pregalvanized Order Code	Weight (kg/ad)	Hot Dip Order Code
AT3 050	1,5	50	0,091	3008276	0,100	3008277
AT3 100	1,5	100	0,100	3008274	0,110	3008275
AT3 150	1,5	150	0,130	3008272	0,143	3008273
AT3 200	1,5	200	0,155	3008270	0,171	3008271
AT3 250	1,5	250	0,179	3008268	0,197	3008269
AT3 300	1,5	300	0,203	3008266	0,223	3008267
040 AT5 100	2,5	97	0,080	3006412	-	-
040 AT5 200	2,5	197	0,149	3006413	-	-
060 AT5 100	2,5	97	0,100	3006415	-	-
060 AT5 200	2,5	197	0,168	3006416	-	-



	Max. allowed load value in kg.
	Console length (mm)
	Under the console load allowed, the bending (mm) at the end of the hanger support

► TRAY SUPPORTS FOR THREADED RODS (L)

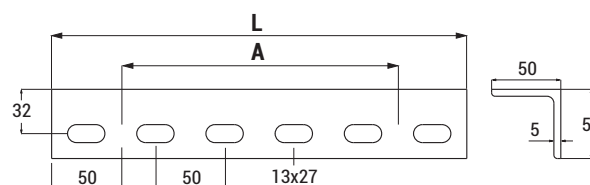
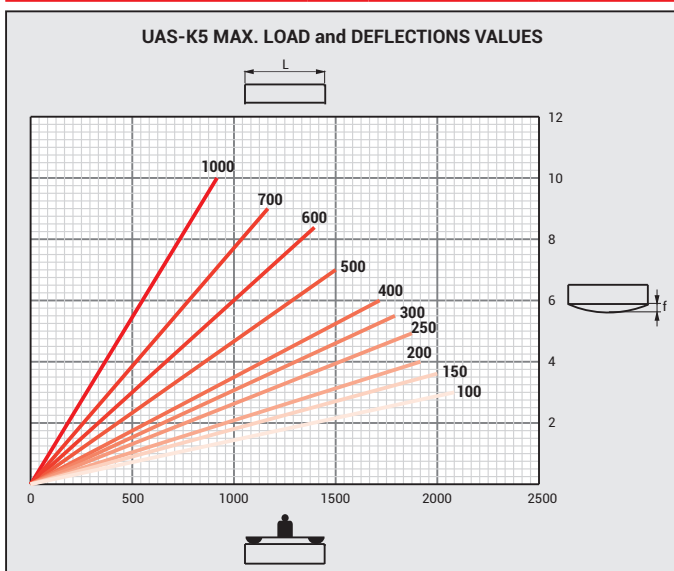
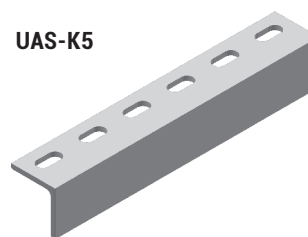
Description	A (mm)	B (mm)	Thickness (T)	Weight (kg/ad)	Pregalvanized Order Code	Weight (kg/ad)	Hot Dip Order Code
AT4 050	125	85	2	0,120	3007950	0,132	3007951
AT4 100	175	135	2	0,168	3007948	0,184	3007949
AT4 150	225	185	2	0,215	3007946	0,236	3007947
AT4 200	275	235	2	0,262	3007944	0,288	3007945
AT4 250	325	285	2	0,310	3007942	0,341	3007943
AT4 300	375	335	2	0,357	3007940	0,392	3007941
AT4 400	475	435	2	0,457	3007938	0,502	3007939
AT4 500	575	535	2	0,557	3007936	0,601	3007937
AT4 600	675	635	2	0,642	3005829	0,706	3005830
AT4 1000	1075	1035	2	1,021	3007934	1,123	3007935



	Max. allowed load value in kg.
	Console length (mm)
	Under the console load allowed, the bending (mm) at the end of the hanger support

► UNIVERSAL SUPPORTS

Description	Length (L)	Thickness (T)	Weight (kg/ad)	Hot Dip Order Code
UAS-K5 SUPPORT (1)	200	5	0,751	3005324
UAS-K5 SUPPORT (2)	250	5	0,938	3005323
UAS-K5 SUPPORT (3)	300	5	1,126	3005322
UAS-K5 SUPPORT (4)	350	5	1,313	3005321
UAS-K5 SUPPORT (5)	400	5	1,501	3005320
UAS-K5 SUPPORT (6)	500	5	1,876	3005319
UAS-K5 SUPPORT (7)	600	5	2,252	3005318
UAS-K5 SUPPORT (8)	700	5	2,627	3005317
UAS-K5 SUPPORT (9)	1100	5	4,129	3005316

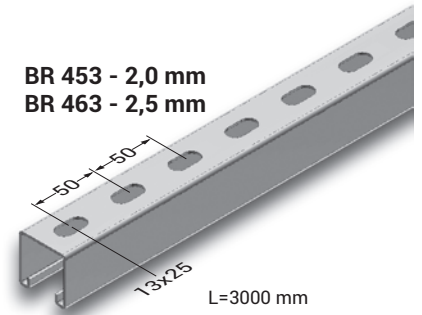
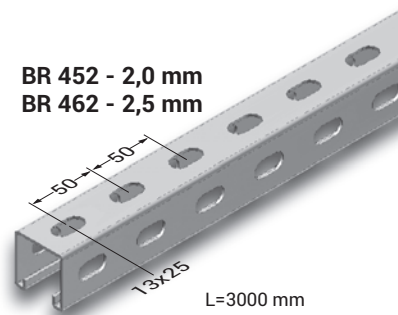
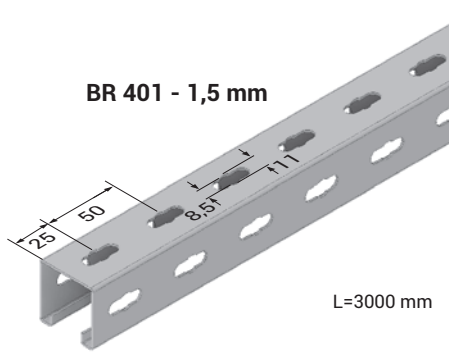
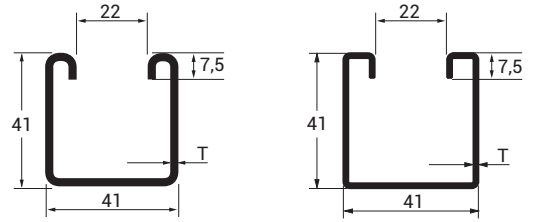


A= Cable Tray size

	Max. allowed load value in kg.
	Console length (mm)
	Under the console load allowed, the bending (mm) at the end of the hanger support

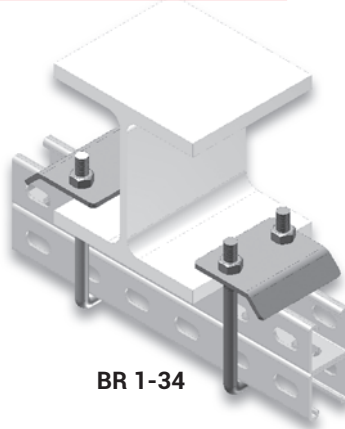
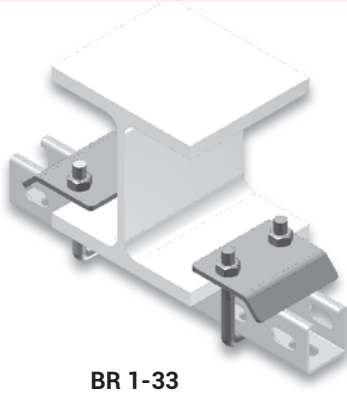
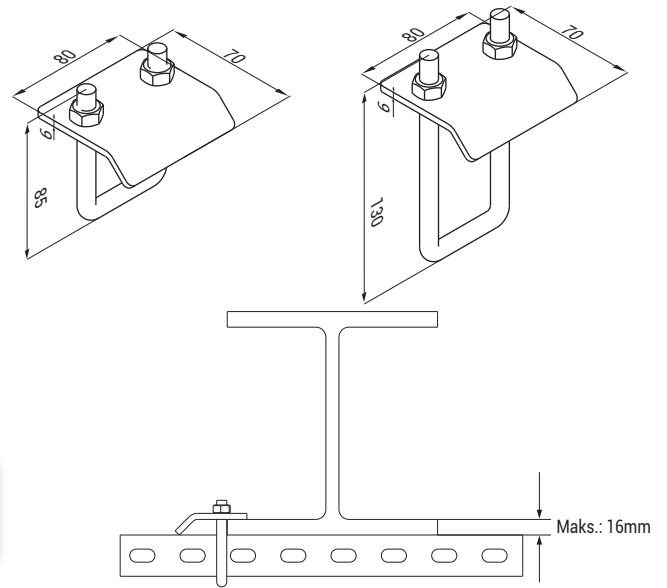
► **BINRAK CHANNEL (41x41mm)**

Description	Thickness (T)	Weight (kg/ad)	Pregalvanized Order Code	Weight (kg/ad)	Hot Dip Order Code
BR 401 BİNRAK	1,5	2	3008328	0,191	3048986
BR 452 BİNRAK	2,0	2	3005312	0,256	3048987
BR 462 BİNRAK	2,5	2	3005314	0,325	3048988
BR 453 BİNRAK	2,0	2	3006383	0,392	3048989
BR 463 BİNRAK	2,5	2	3006385	0,679	3048990



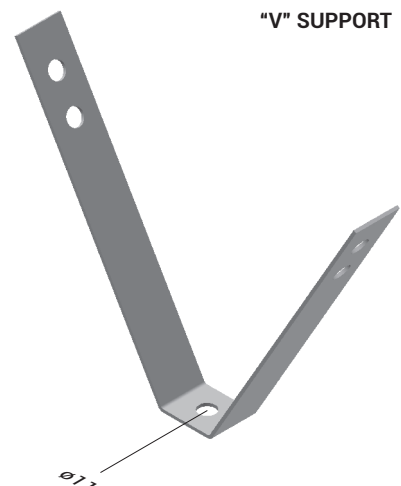
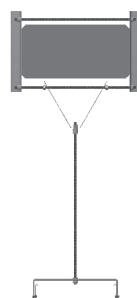
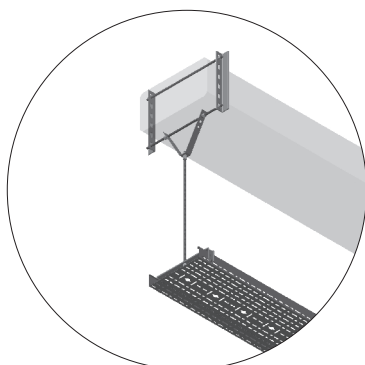
► **BINRAK FIXING ACCESSORIES**

Description	Thickness (T)	Weight (kg/ad)	Hot Dip Order Code
BR 1-33 Beam Clamp (41x41mm)	6	0,473	3000207
BR 1-34 Beam Clamp (41x82mm)	6	0,563	3000213



► **V SUPPORT**

Description	Weight (kg/ad)	Pregalvanized Order Code
V Support Fittings	0,193	3063023



► FIXING ACCESSORIES

Description	Weight (kg/ad)	Order Code
Hex. Head Bolt (M6x20)	0,007	1000550
Hex. Head Bolt (M8x20)	0,012	1000559
Hex. Head Bolt (M10x30)	0,027	1000566
Hex. Head Bolt (M12x30)	0,039	1000695
M6 Spring Traverse Nut	0,030	1004216
M8 Spring Traverse Nut	0,028	1001311
M10 Spring Traverse Nut	0,039	1001312
M12 Spring Traverse Nut	0,038	1001313
M6 Traverse Nut	0,020	1003108
M8 Traverse Nut	0,025	1003105
M10 Traverse Nut	0,035	1003106
M12 Traverse Nut	0,038	1003107
Extension Nut (M8)	0,030	1004313
Extension Nut (M10)	0,070	1004312
Extension Nut (M12)	0,115	1004282
"T" Support (M8x500)	0,145	5000039
"T" Support (M8x1000)	0,295	5000038
"T" Support (M8x1500)	0,440	5000035
"T" Support (M8x2000)	0,600	5000036
"T" Support (M8x3000)	0,897	5000006
"T" Support (M10x500)	0,245	5000037
"T" Support (M10x1000)	0,490	5000032
"T" Support (M10x1500)	0,735	5000031
"T" Support (M10x2000)	1,030	5000030
"T" Support (M10x3000)	1,520	5000029
"T" Support (M12x500)	0,350	5000026
"T" Support (M12x1000)	0,700	5000034
"T" Support (M12x1500)	1,010	5000025
"T" Support (M12x2000)	1,300	5000024
"T" Support (M12x3000)	2,100	5000000
Rod Bracket (M6x1000) Electro galvanized	0,222	5000357
Rod Bracket (M6x2000) Electro galvanized	0,444	5000358
Rod Bracket (M6x3000) Electro galvanized	0,666	5000359
Rod Bracket (M8x500) Electro galvanized	0,145	5000169
Rod Bracket (M8x1000) Electro galvanized	0,295	5000170
Rod Bracket (M8x1500) Electro galvanized	0,440	5000171
Rod Bracket (M8x2000) Electro galvanized	0,600	1004220
Rod Bracket (M8x3000) Electro galvanized	0,897	5000302
Rod Bracket (M10x500) Electro galvanized	0,245	5000172
Rod Bracket (M10x1000) Electro galvanized	0,490	5000173
Rod Bracket (M10x1500) Electro galvanized	0,735	5000174
Rod Bracket (M10x2000) Electro galvanized	1,030	5000175
Rod Bracket (M10x3000) Electro galvanized	1,571	5000301
Rod Bracket (M12x500) Electro galvanized	0,350	5000176
M6 Steel Nut	0,004	1000520
M8 Steel Nut	0,005	1000521
M10 Steel Nut	0,010	1000522
M12 Steel Nut	0,015	1000964
M6 Flanged Nut	0,007	1001091
M8 Flanged Nut	0,013	1001181
M10 Flanged Nut	0,020	1000182
M12 Flanged Nut	0,027	1005927
M6 Washer	0,001	1000501
M8 Washer	0,002	1000502
M10 Washer	0,003	1000504
M12 Washer	0,005	1000505
M6 Spring Washer	0,001	1000506
M8 Spring Washer	0,001	1000507
M10 Spring Washer	0,002	1000508
M12 Spring Washer	0,003	1000509

Hex. Head Bolt



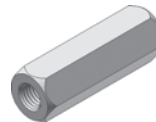
Spring Traverse Nut



Traverse Nut

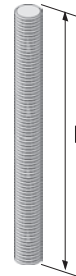


Extension Nut



(Lacquered)

Rod Bracket



Nut



(Lacquered)

Flange Nut



(Lacquered)

Washer



(Lacquered)

Spring Washer



(Lacquered)

► FIXING ACCESSORIES

Description	Weight (A)	Order Code
EAE Pull-off Dowel (M6)	0,028	5000027
EAE Pull-off Dowel (M8)	0,030	5000033
EAE Pull-off Dowel (M10)	0,070	5000023
EAE Pull-off Dowel (M12)	0,120	5000022
Driven Dowel (M8)	0,010	5000018
Driven Dowel (M10)	0,020	5000017
Pull Dowel (Jacketed) (M6)	0,033	5000007
Pull Dowel (Jacketed) (M8)	0,030	5000008
Pull Dowel (Jacketed) (M10)	0,070	5000009
Pull Dowel (Jacketed) (M12)	0,120	5000010
Pull Dowel "S" Type (M6)	0,011	5000011
Pull Dowel "S" Type (M8)	0,016	5000012
Pull Dowel "S" Type (M10)	0,031	5000013
Pull Dowel "S" Type (M12)	0,053	5000014

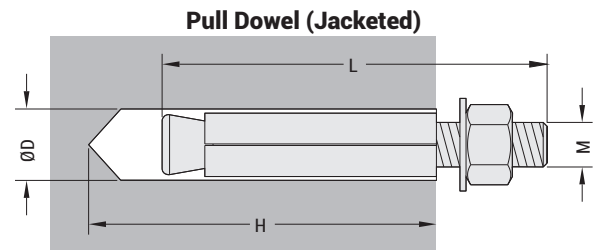


EAE Pull-off Pull Dowel (Pipe Type)

M	L (mm)	ØD (mm)	H (mm)
M6	65	10	75
M8	60	11	70
M10	85	15	95
M12	90	16	100

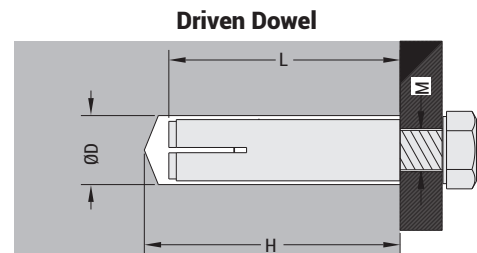
Pull Dowel (Jacketed)

M	L (mm)	ØD (mm)	H (mm)
M6	46	8	55
M8	75	10	80
M10	85	12	95
M12	90	16	100



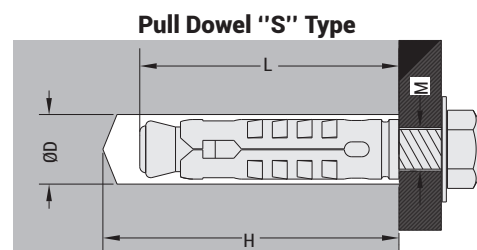
Driven Dowel

M	L (mm)	ØD (mm)	H (mm)
M6	30	10	30
M8	40	12	40



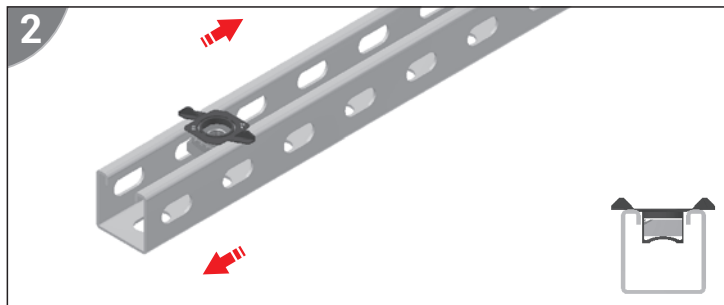
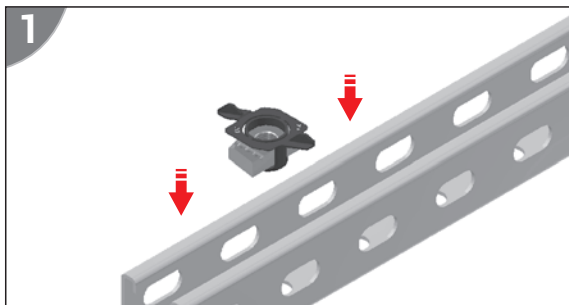
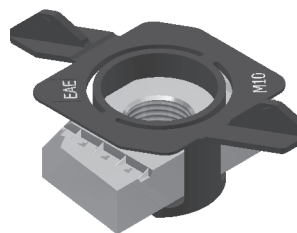
Pull Dowel "S" Type

M	L (mm)	ØD (mm)	H (mm)
M6	45	10	50
M8	57	12	60
M10	63	15	70
M12	75	18	85

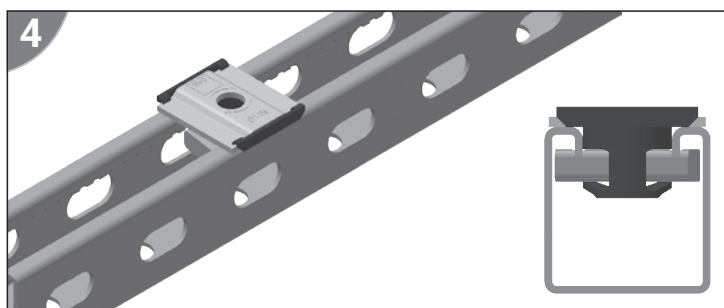
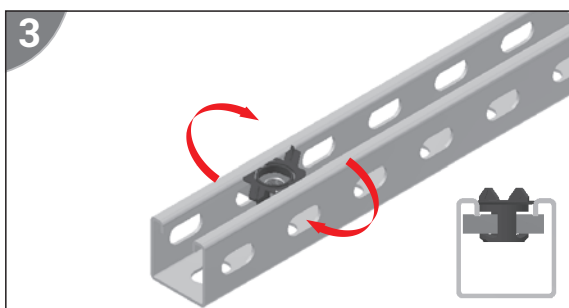


► QUICK BINRAK NUT

Description	Weight (kg/ad)	Order Code
M6 Quick Binrak Nut	0,028	1021244
M8 Quick Binrak Nut	0,027	1021245
M10 Quick Binrak Nut	0,034	1021246
M12 H Quick Binrak Nut	0,032	1021247



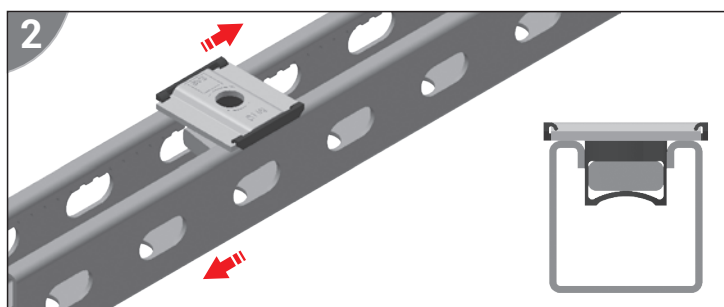
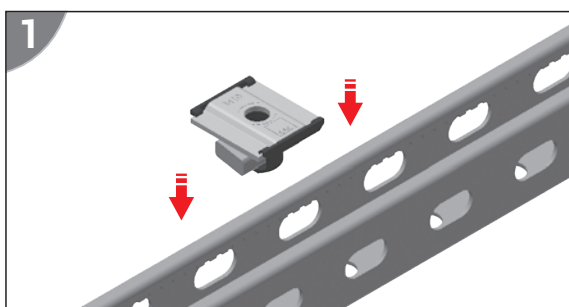
1-2. Place the Quick Nut into Binrak Duct.



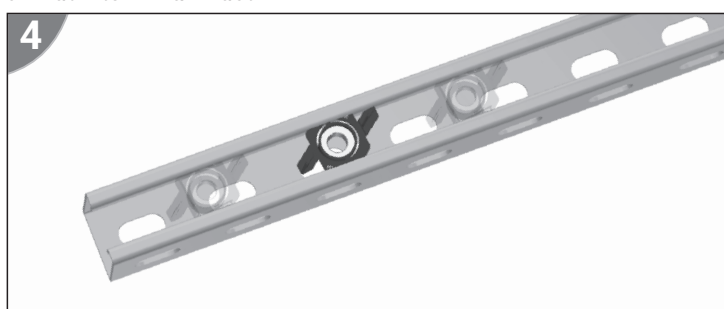
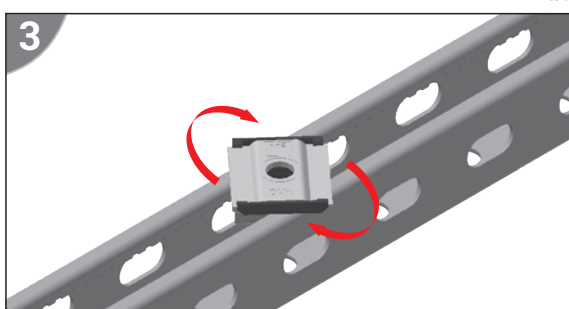
3-4. Place the Quick Nut into Binrak Duct.

► QUICK TRAVERSE NUT

Description	Weight (kg/ad)	Order Code
M8 Quick Traverse Nut	0,084	1004993
M10 Quick Traverse Nut	0,081	1004994
M12 Quick Traverse Nut	0,078	1004995



1-2. Place the Quick Nut into Binrak Duct.



3-4. By turning the Quick Nut in the direction of the arrow, select its position on the Binrak duct.

► FIXING ACCESSORIES

Description	Weight (kg/ad)	Order Code
Joiner pin	0,025	1004310
Cable Tray Extension Bolt M6x12	0,009	1004314
Binrak Extension Bolt M8x15	0,010	1004285
One-sided Tray Connection Gasket	0,070	1001414
Double-sided Tray Connection Gasket	0,140	1001454
M8 Clamp	0,170	5000004
M10 Clamp	0,180	5000005
M8 Joint Clamp	0,220	5000001
M10 Joint Clamp	0,230	5000002
M12 Joint Clamp	0,340	5000003
BR 41x41 Protector	0,008	1020339
EAE Zinc Tube Spray		1000172
Zinga Coating (1kg)		1015740
Zinga Coating (5kg)		1015741

Kupilya



(Lac Coated)

M6x12



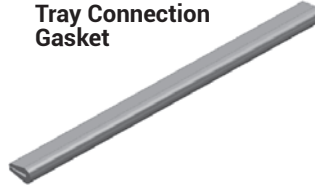
(Lac Coated)

M8x15

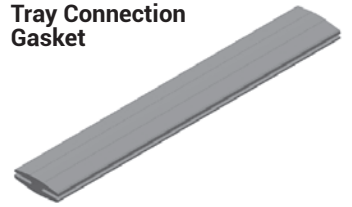


(Lac Coated)

One-sided Tray Connection Gasket

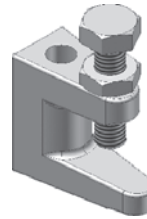


Double-sided Tray Connection Gasket



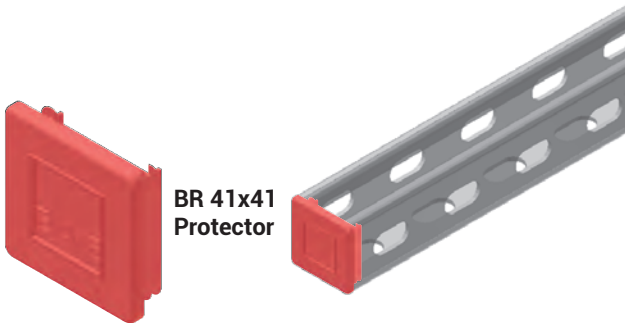
Clamp

M8
M10



Joint Clamp

M8
M10
M12



BR 41x41 Protector

Zinga Coating



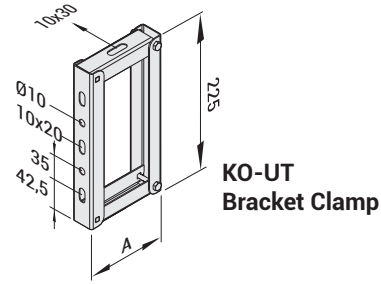
EAE Zinc Tube Spray

400ml



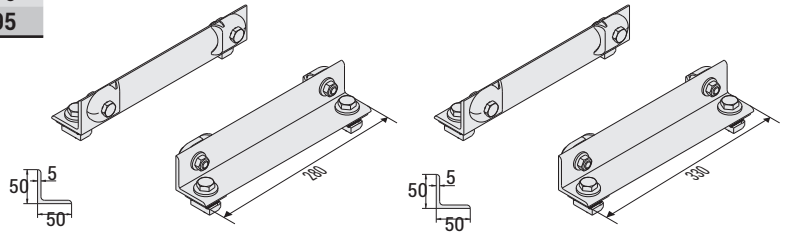
► KO SUPPORT ELEMENT

Açıklama	Current	A (mm)	Order Code
KOA - 1 UT Clamp	160	115	1004275
KOA - 2 UT Clamp	250	120	1004278
KOA - 3 UT Clamp	315	125	1004274
KOA - 4 UT Clamp	400	145	1004277
KOA - 5 UT Clamp	500	157	1004265
KOA - 6 UT Clamp	600	170	1004276
KOA - 8 UT Clamp	800	205	1007573
KOC - 2 UT Clamp	250	115	1004275
KOC - 4 UT Clamp	400	125	1004274
KOC - 6 UT Clamp	600	145	1004277
KOC - 8 UT Clamp	800	170	1004276



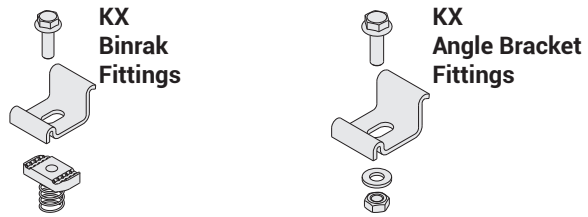
► KO SUPPORTS

Description	Order Code
KO-II Vertical Shaft Bracket Retaining Kit	3048476
KO-II Vertical Shaft Bracket Retaining Kit (Fire Barrier)	3048995



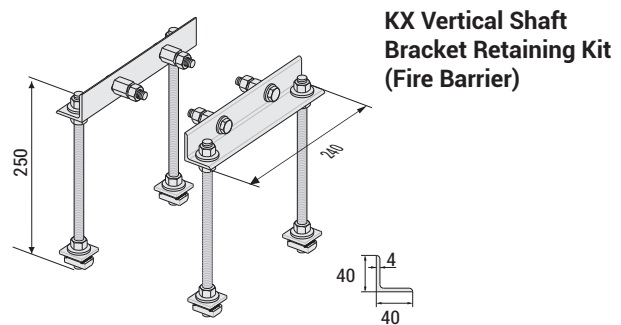
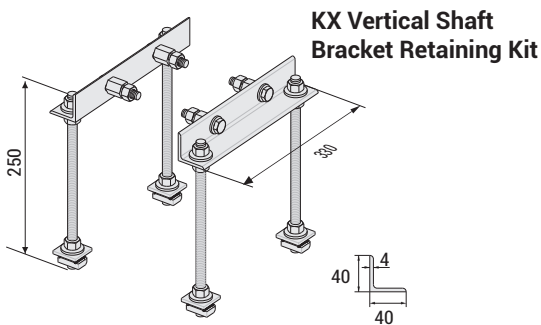
► KX FITTINGS

Description	Order Code
KX Binrak Fittings	2011227
KX Angle Bracket Fittings	2011226



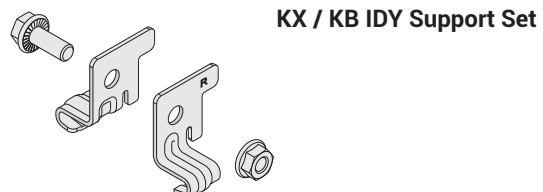
► KX SUPPORTS

Description	Order Code
KX Vertical Shaft Bracket Retaining Kit	3048475
KX Vertical Shaft Bracket Retaining Kit (Fire Barrier)	3048709



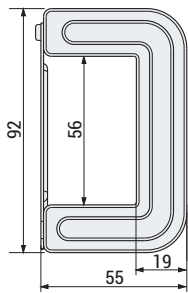
► RETAINER KIT

Description	Order Code
KX / KB IDY Support Set	2054590

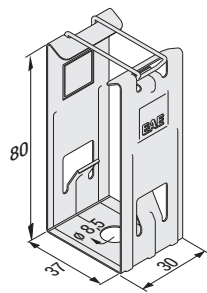


► DL SUPPORT FITTINGS

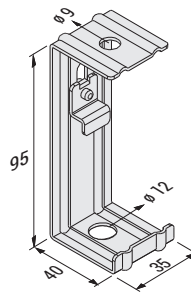
Description	Order Code
Frame Bracket - Uncoated	1004189
Frame Bracket - Coated	2033519
"U" Bracket - Uncoated	1004874
"U" Bracket - Coated	2037294
"L" Bracket - Uncoated	1004283
"L" Bracket - Coated	2037295
DL/SL DL/SL Multifunctional Bracket- Uncoated	3122646
DL/SL Multifunctional Bracket - Coated	3122647



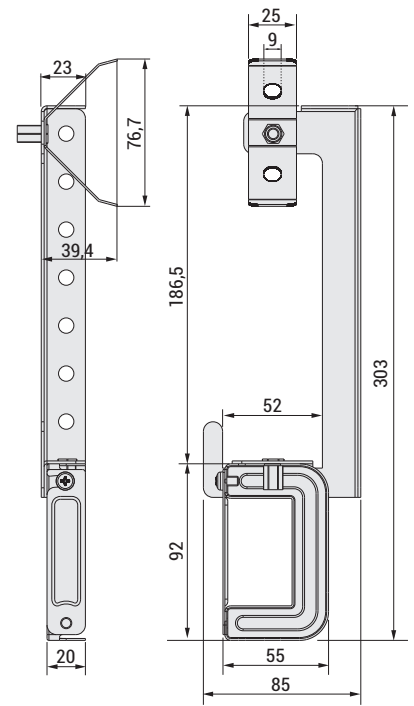
Frame Bracket



"U" Bracket



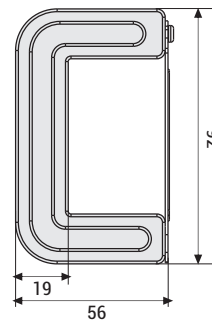
"L" Bracket



DL / SL Multifunctional Bracket

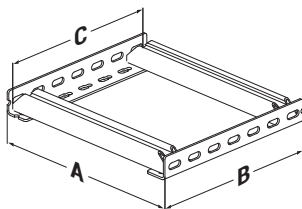
► KAM/KAP SUPPORT MEMBER

Description	Order Code
KAM/KAP Frame Bracket - Uncoated	1004190
KAM/KAP Frame Bracket - Coated	2037293

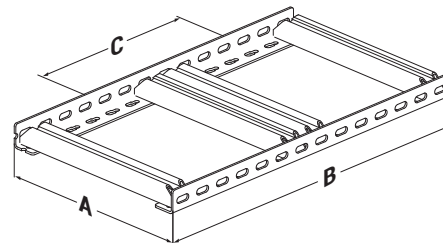


► VERTICAL SHAFT BRACKET FRAME

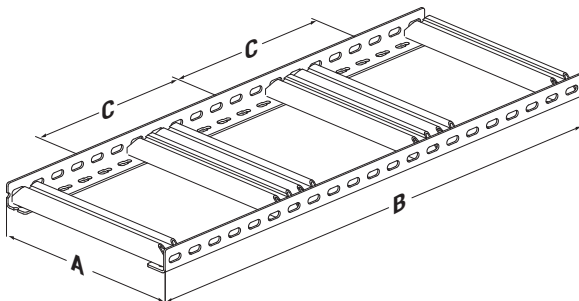
Description	Frame Type	Busbar	Fire Barrier	Order Code
VERTICAL SHAFT BRACKET FRAME B:250 C:240	Type 1	KB - KX	-	3047874
VERTICAL SHAFT BRACKET FRAME B:290 C:280	Type 1	KO	-	3047875
VERTICAL SHAFT BRACKET FRAME B:350 C:330	Type 1	KB - KX - KO	Usable	3047876
VERTICAL SHAFT BRACKET FRAME B:500 C:250	Type 2	KB - KX	-	3047877
VERTICAL SHAFT BRACKET FRAME B:550 C:300	Type 2	KB - KX	-	3047878
VERTICAL SHAFT BRACKET FRAME B:600 C:350	Type 2	KB - KX	-	3047879
VERTICAL SHAFT BRACKET FRAME B:650 C:400	Type 2	KB - KX	-	3047880
VERTICAL SHAFT BRACKET FRAME B:700 C:350	Type 2	KB - KX - KO	Usable	3047881
VERTICAL SHAFT BRACKET FRAME B:750 C:400	Type 2	KB - KX - KO	Usable	3047882
VERTICAL SHAFT BRACKET FRAME B:750 C:250	Type 3	KB - KX	-	3047883
VERTICAL SHAFT BRACKET FRAME B:850 C:300	Type 3	KB - KX	-	3047884
VERTICAL SHAFT BRACKET FRAME B:950 C:350	Type 3	KB - KX	-	3047885
VERTICAL SHAFT BRACKET FRAME B:1050 C:400	Type 3	KB - KX	-	3047886
VERTICAL SHAFT BRACKET FRAME B:1050 C:350	Type 3	KB - KX - KO	Usable	3047887
VERTICAL SHAFT BRACKET FRAME B:1150 C:400	Type 3	KB - KX - KO	Usable	3047888
VERTICAL SHAFT BRACKET FRAME B:1000 C:250	Type 4	KB - KX	-	3047889
VERTICAL SHAFT BRACKET FRAME B:1150 C:300	Type 4	KB - KX	-	3047890
VERTICAL SHAFT BRACKET FRAME B:1300 C:350	Type 4	KB - KX	-	3047891
VERTICAL SHAFT BRACKET FRAME B:1450 C:400	Type 4	KB - KX	-	3047892
VERTICAL SHAFT BRACKET FRAME B:1400 C:350	Type 4	KB - KX - KO	Usable	3047894
VERTICAL SHAFT BRACKET FRAME B:1550 C:400	Type 4	KB - KX - KO	Usable	3047895



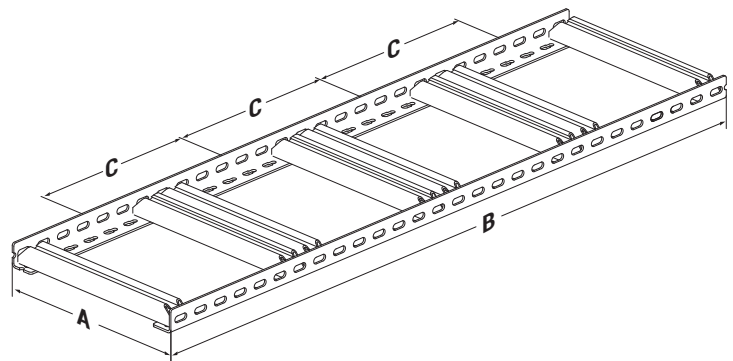
Type 1



Type 2



Type 3




Type 4

Remark: "A measurement varies according to the area used."

► Design Form

Item	Component List	Quantity


Company :	Project :	Project No :
Prepared by		
Name :	Date :	Signature :



Please duplicate this page for your own use.

► Design Form

Item	Component List	Quantity
Company : Project : Project No :		
Prepared by : Name : Date : Signature :		



Please duplicate this page for your own use.

EAE Elektrik A.Ş.
Akcaburgaz Mahallesi,
3114. Sokak, No:10 34522
Esenyurt-Istanbul-TURKEY
Tel: +90 (212) 866 20 00
Fax: +90 (212) 886 24 20

EAE Elektrik Gebze Fabrika
Gebze IV İstanbul Makine ve
Sanayicileri Organize Bölgesi
6.Cadde No.2 Demirciler Köyü
Dilovası - KOCAELİ
Tel: +90 (262) 502 05 65
Faks: +90 (262) 502 05 70

Please visit our website for the updated version of our catalogues.
www.eaeelectric.com



Catalogue 49-Eng. / Rev 00 500 pcs. 23/01/2020
S.S.

EAE has full right to make any revisions or changes on this catalogue without any prior notice.

