



E-LINENDK

Modular and Compact Solutions for Under floor and Raised Flooring



MODULAR and
COMPACT SOLUTIONS

E-LINE NDK

Please visit our website for the updated version of our catalogues.
www.eaeelectric.com



CONTENTS

▶▶ E-LINE NDK

E-LINE NDK MX 1 Floor Outlet Box	2
E-LINE NDK MX 2 Floor Outlet Box	3
E-LINE NDK-MX 1 and E-LINE NDK-MX 2 Screed Application.....	4
E-LINE NDK-MX 1 and E-LINE NDK-MX 2 Raised Floor Application.....	5
E-LINE NDK-F Screed and Raised Flooring Solutions	6
E-LINE NDK CX1 - CX2 Compact Solutions Floor Outlet Box.....	7
E-LINE NDK-CX Mini Compact Solutions Floor Outlet Box	8
E-LINE NDK-CX Stainless Steel Covered Compact Outlet Box and Order Codes	9
E-LINE DKM-P Stainless Steel Covered Outlet Box.....	10
E-LINE NDK-GRM New Multi-Functional Plastic Grommet (6 Modules).....	11-12
E-LINE DKY-GRM Mini Grommet Outlet Box (3 Modules).....	13
E-LINE DKY-GRM Mini Grommet Outlet Box (Cover Modules).....	14
E-LINE NDK-GRM IP66 Plastic Grommet Outlet Box Flooring Solutions.....	15
E-LINE NDK-MINI IP-66 C-Box Outlet Box (6 Modules).....	16
E-LINE NDK-MINI IP-66 R-Box Outlet Box (6 Modules).....	17
E-LINE NDK-MINI IP-66 P-Box Outlet Box (6 Modules).....	18
E-LINE NDK-SM FLEX Backbone Channel and Cable Pass Modules	19-20
E-LINE DB-DKL Exit and Pull Box Solutions.....	21
E-LINE DB-DKL Cable Channels and Order Codes	22-23
E-LINE DB-DKL S Types of In-Floor Junction Box Varieties and Order Codes	24
E-LINE DB-YA Height-Adjustable In-Floor Junction Boxes and Cable Channels.....	25
OUTLETS / ACCESSORIES Order Codes	26-28
E-LINE NDK General Product Specifications.....	29
Certificates	30-31
CE Declaration of Conformity.....	32

E-LINE NDK-MX



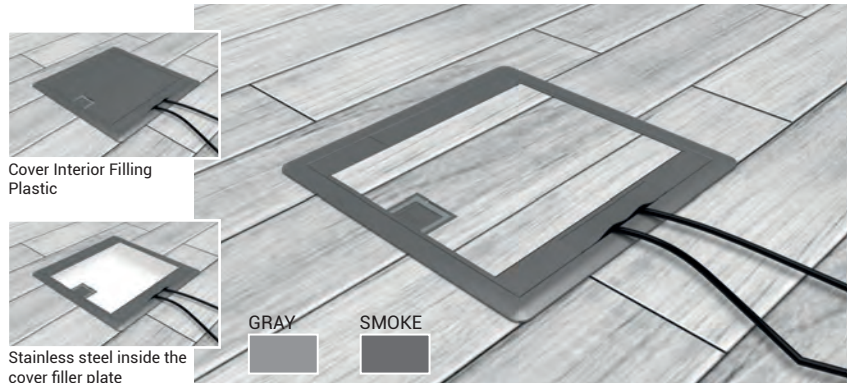
►► FLOOR OUTLET BOXES

► Screed and Raised Flooring Solutions

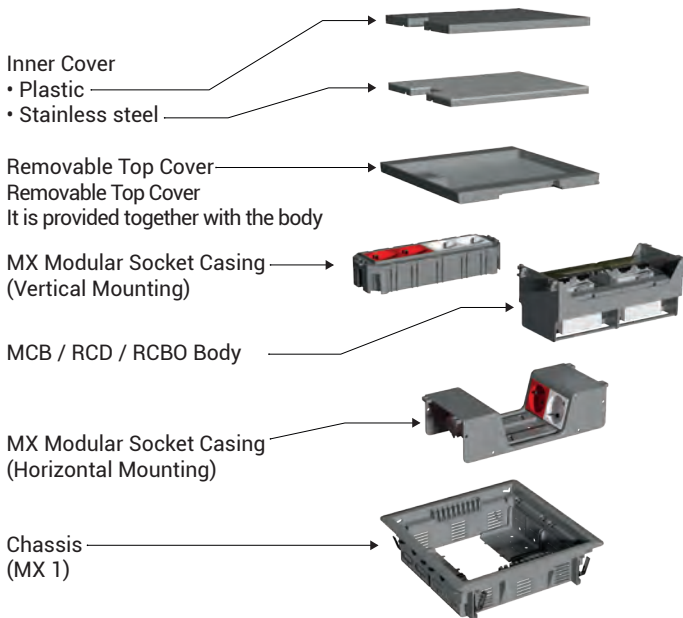
E-LINE NDK-MX1; The new series of outlet boxes, with two different models, offers rich, comfortable, and aesthetic options for both screed and raised flooring applications. It offers practical solutions with a box body and a cover compatible with the filling plastic or stainless filling plate, suitable for the floor.

- **NDK-MX 1**; 250x250mm (16 and 24 Modules)

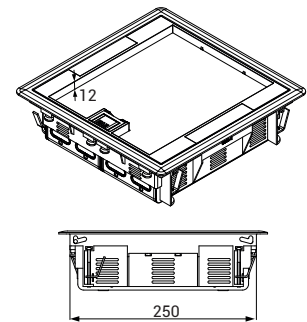
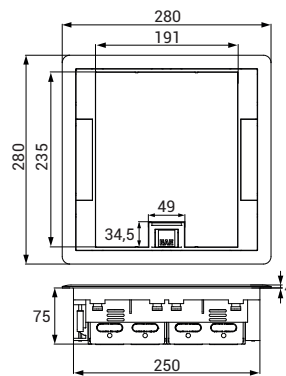
(Minimum Screed Height; 70mm)



► General Construction



Order Codes		
Description	Gray	Smoke
NDK-MX 1 Socket Box, 16 Modules, Complete	3122702	3122703
NDK-MX 1 Socket Box, 24 Modules, Complete	3122704	3122705
NDK-MX 1 Cover Interior Filling Plastic	2057342	2057345
NDK-MX 1 Stainless Steel Cover Inner Filling Plate	2057339	



■ Dimensions are in millimeters.

► Flexibility of Use

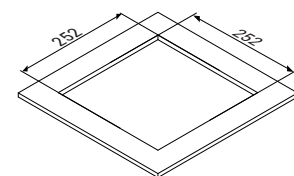


Screed Bottom Application
Min: 70mm
Max: 100mm



Raised Flooring Application
Min: 75mm

► Floor Cutting Dimension



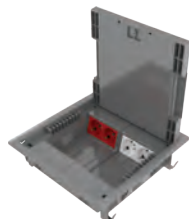
■ Dimensions are in millimeters.

► NDK-MX 1 (24 Modules) Vertical Mount Usage



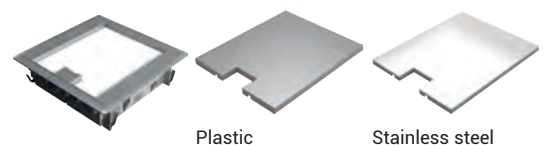
Using 3 vertical-type socket enclosures, a total capacity of 24 modules is achieved through 'vertical' socket installation

► NDK-MX 1 (16 Modules) Horizontal Mount Usage



Using 2 modular socket enclosures, a total capacity of 16 modules is achieved through 'horizontal' socket installation.

► NDK-MX 1 (16 ve 24 Modules) Inner Cover



The inside depth of the cover is 12 mm, and the flooring material can be cut to fit within these dimensions for use as cover interior filling. If needed, stainless steel or plastic cover filling plates can also be ordered and used.

- The plastic material is 'Halogen-free'
- Except for all kinds of sockets. Determine your needs from pages 26 and 27 and place a separate order
- Except for all kinds of junction boxes and channels. Determine your needs from pages 24 and 25 and place a separate order.

E-LINE NDK-MX



►► FLOOR SOCKET BOXES

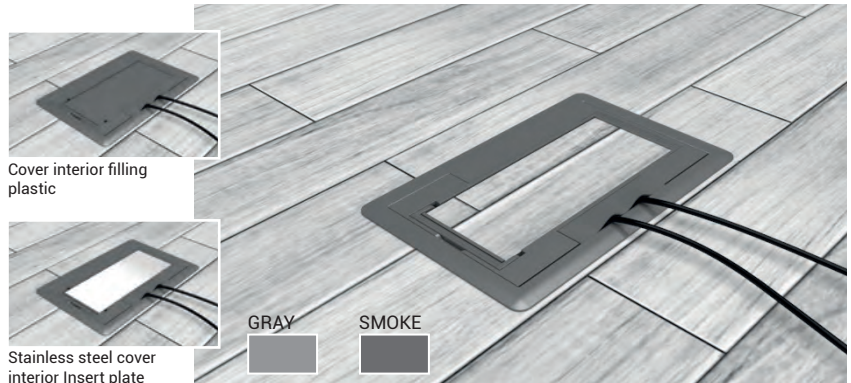
► Subfloor and Raised Flooring Solutions

E-LINE DK-MX2; The new series of socket boxes offers rich, comfortable, and aesthetic options for both subfloor and raised floor applications with its two different models.

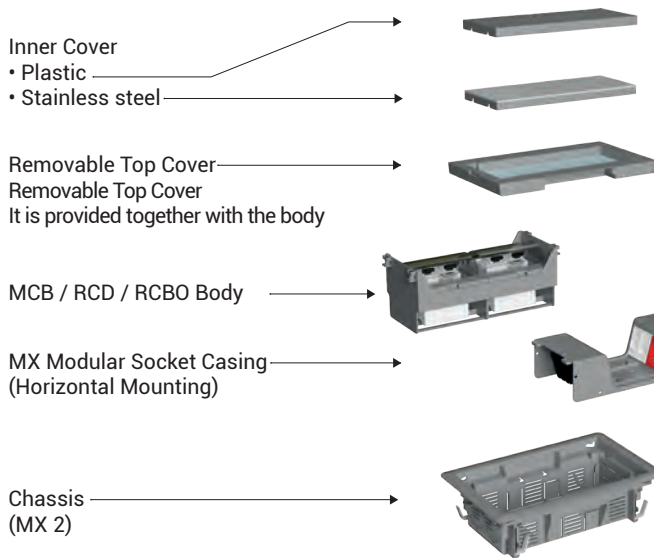
It offers practical solutions that are compatible with the box body and the flooring, using cover interior filling plastic or stainless steel filling plates.

- **NDK-MX 2;** 146x250mm (8 Modules)

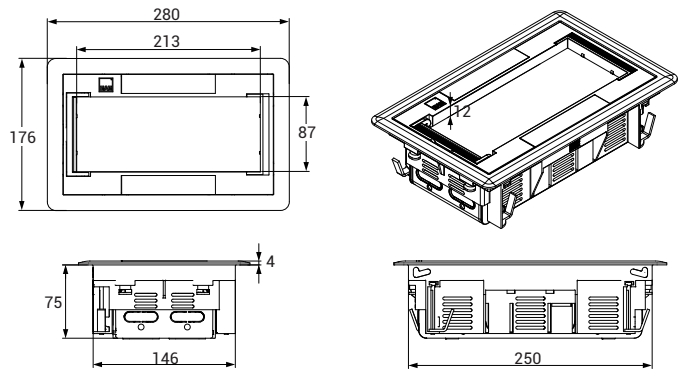
(Minimum Screed Height; 70mm)



► General Construction



Order Codes		
Description	Gray	Smoke
NDK-MX 2 Socket Box, 8 Modules, Complete	3122709	3122711
NDK-MX 2 MCB/RCD/RCBO Casing Complete	3336231	3336232
NDK-MX 2 Cover Interior Filling Plastic	2065384	2065387
NDK-MX 2 Stainless Steel Cover Inner Filling Plate	2065388	



■ Dimensions are in millimeters.

► Flexibility of Use



Screed Bottom Application

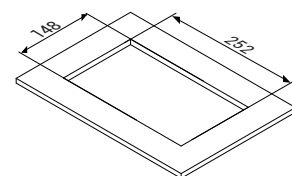
Min: 70mm
Max: 100mm



Raised Flooring Application

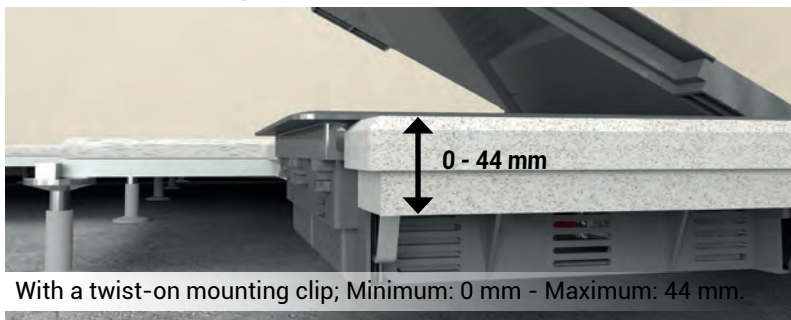
Min: 75mm

► Floor Cutting Dimension



■ Dimensions are in millimeters.

► Elevated Flooring Thicknesses



With a twist-on mounting clip; Minimum: 0 mm - Maximum: 44 mm.

► NDK-MX 2 (8 Modules) Inner Cover

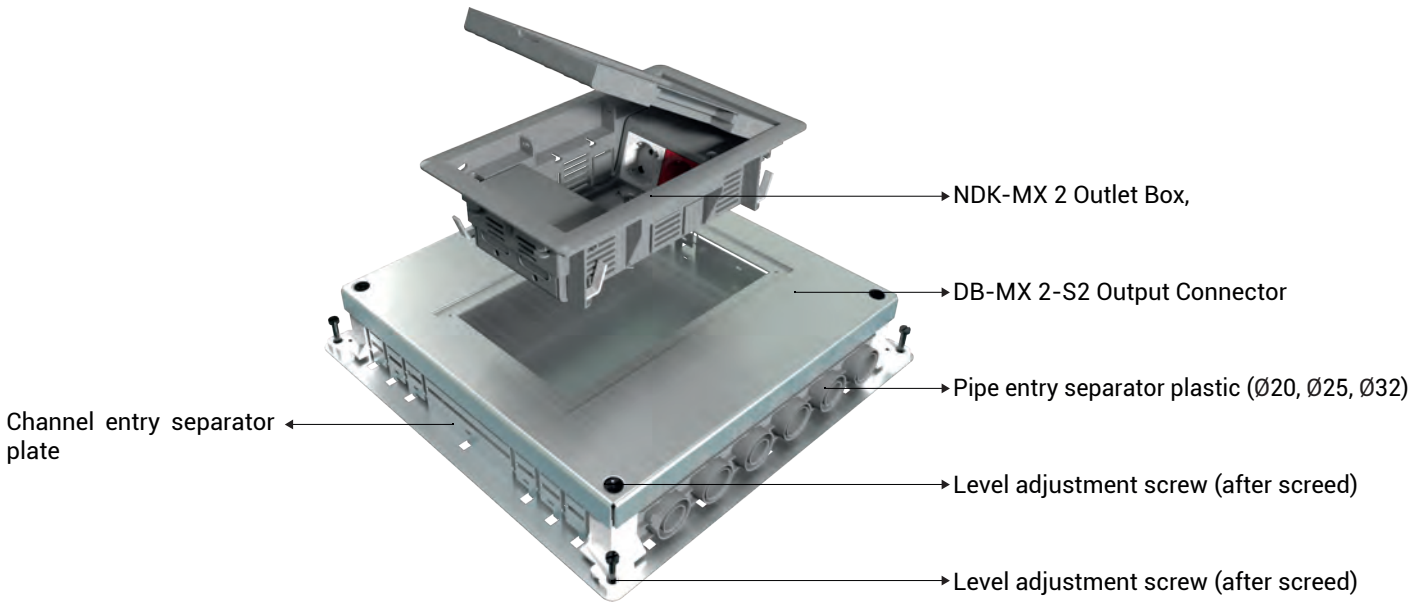
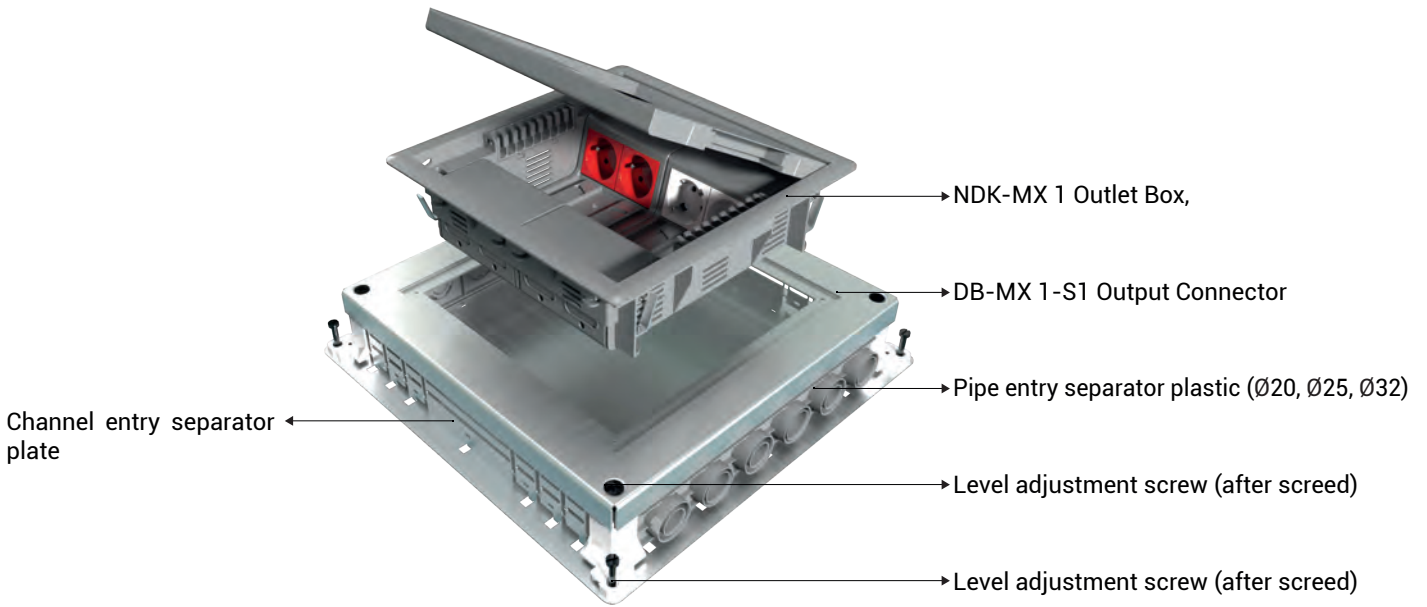


- Please specify your mounting clip option according to the floor thickness exceeding 44 mm. Otherwise, a twist-on type mounting clip will be provided
- The plastic material is 'Halogen-free'
- Except for all kinds of sockets. Determine your needs from pages 26 and 27 and place a separate order
- Except for all kinds of junction boxes and channels. Determine your needs from pages 24 and 25 and place a separate order.

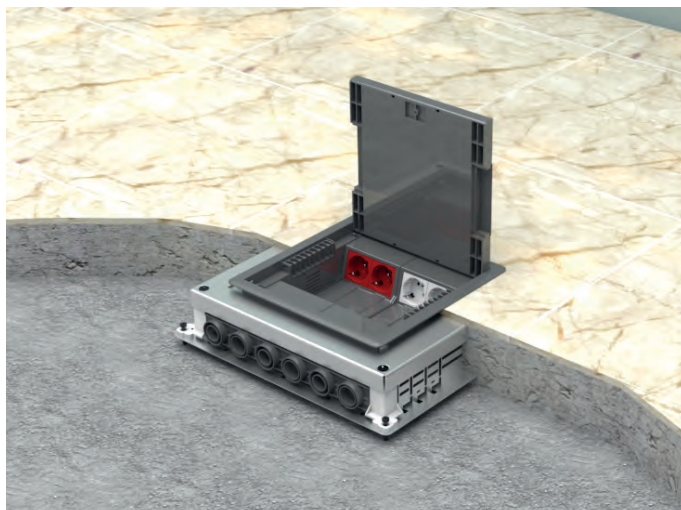
E-LINE NDK-MX

►► FLOOR SOCKET BOXES

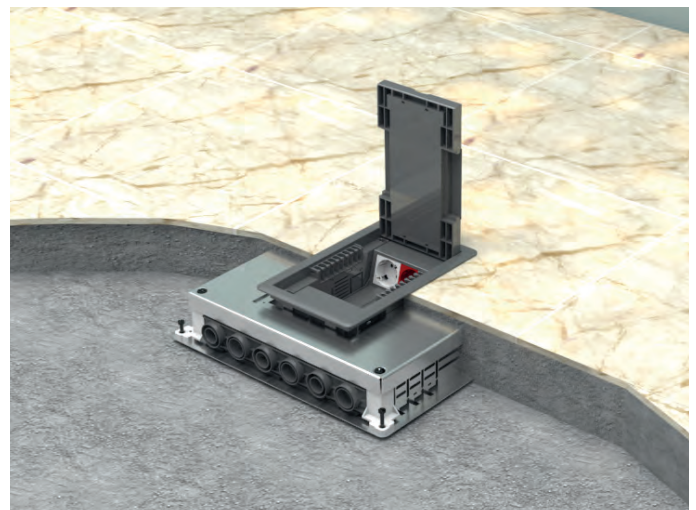
► NDK-MX Underfloor Application



► NDK-MX 1 Underfloor Application Example



► NDK-MX 2 Underfloor Application Example



E-LINE NDK-MX

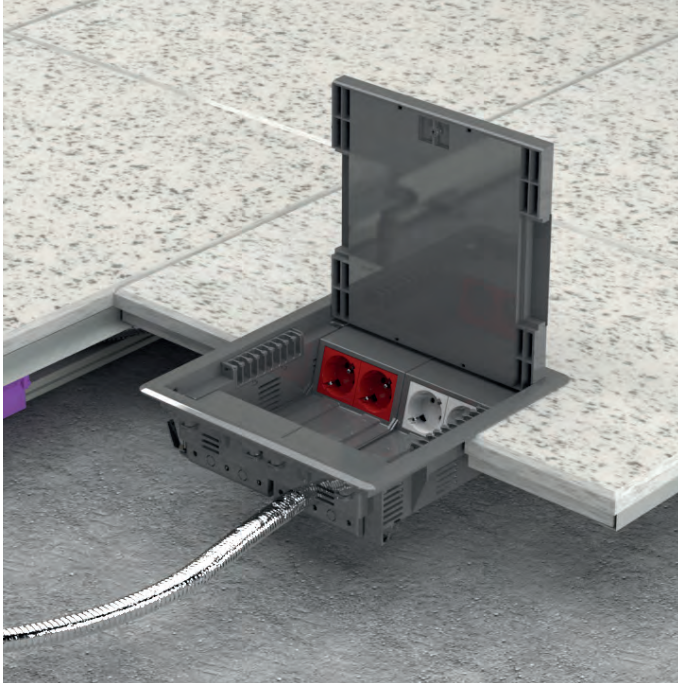
►► FLOOR SOCKET BOXES

► NDK-MX Raised Floor Application



► NDK-MX 1

Raised Floor Application Example



► NDK-MX 2

Raised Floor Application Example



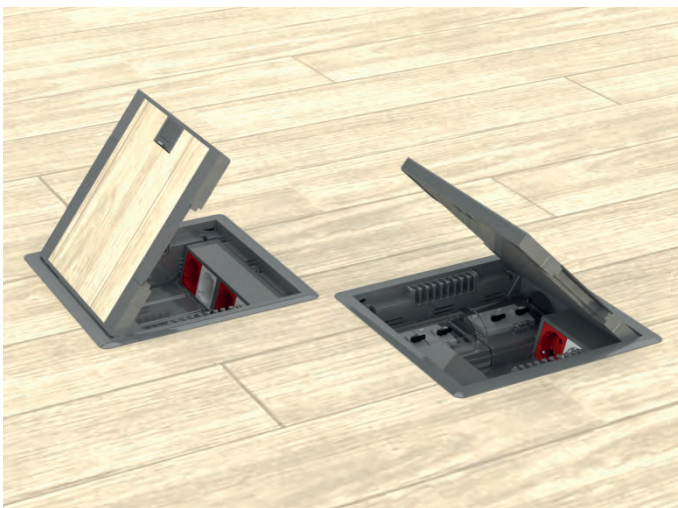
■ Raised floor thickness (h);

- With twist-on mounting clip; min: 0 - max: 44mm.
- With flat mounting clip; it can be between min: 25mm and max: 65mm. Please specify this detail in your order.

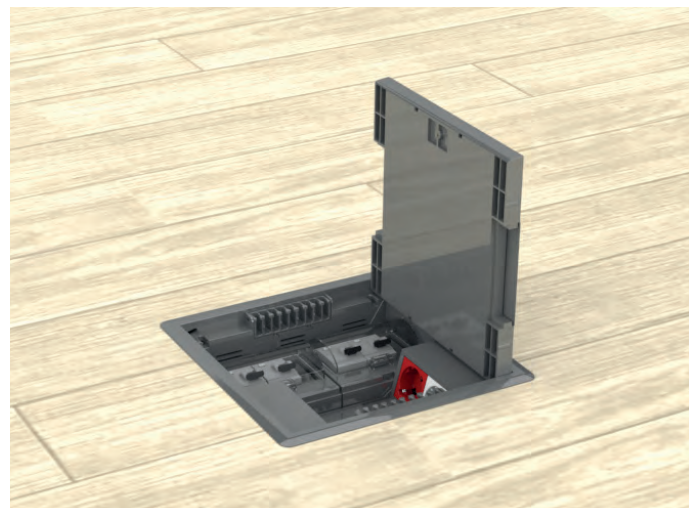
► E-LINE NDK-MX (Raised Floor Usage)

The NDK-MX series outlet boxes can be easily used for raised floor applications. There is no need for a connector or housing. They can be easily mounted using metal fixing clips.

► Two-Way Cover Installation



► Use with MCB or RCBO Housing



E-LINE NDK-F



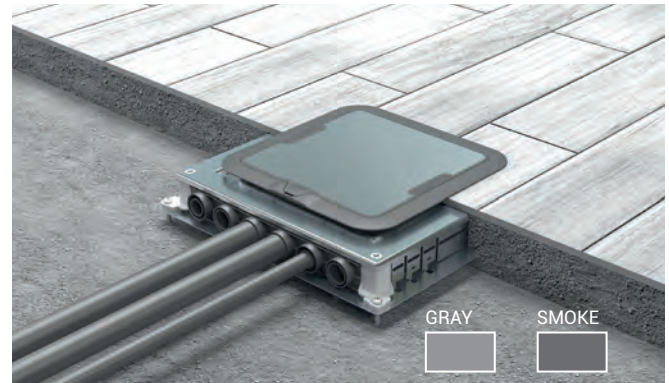
▶▶ FLOOR SOCKET BOXES

▶ Subfloor and Raised Flooring Solutions

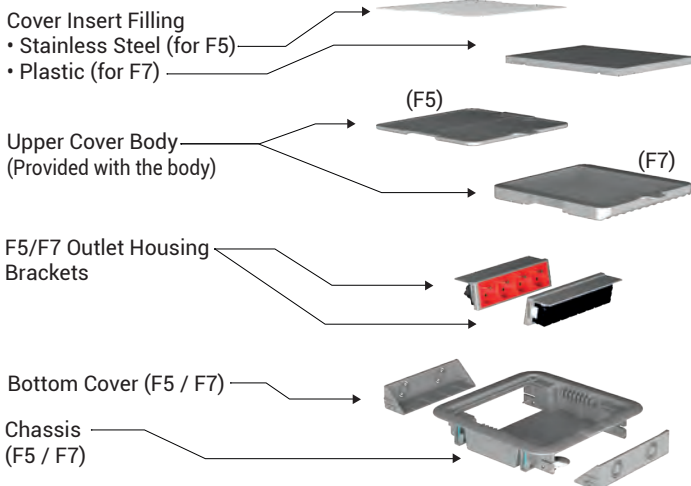
E-LINE NDK-F; The new series of outlet boxes, with two different models, offer rich, convenient, and aesthetic options for both screed and raised floor applications. The new and slim design of the DK-F5 outlet box, which can be used with 5 cm screed heights, also provides significant cost-saving advantages in terms of reducing building costs associated with screed expenses.

The cover insert plastic or stainless steel filling plate, along with the box body, offers practical solutions that are compatible with the floor and provide convenience.

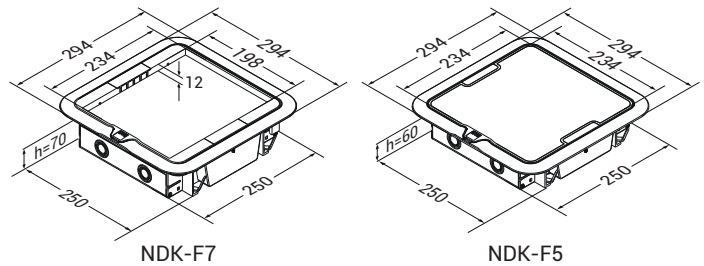
- **NDK-F 5;** 250x250mm (16 Modules), 60mm min. screed height
- **NDK-F 7;** 250x250mm (16 Modules), 70mm min. screed height



▶ General Construction



Order Codes		
Description	Gray	Smoke
NDK-F 5 Compact Socket Box, 16 Modules, Complete	3137097	3137100
NDK-F 7 Compact Socket Box, 16 Modules, Complete	3137282	3137285
NDK-F 7 Cover Interior Filling Plastic	2067319	2067322



■ Dimensions are in millimeters.

■ Excluding all types of outlets, please specify your needs from pages 36 and 37 and place a separate order.

▶ Flexibility of Use

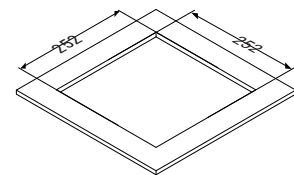


Under Floor Application
For NDK-F7;
 Min:70mm
 Max:100mm
NDK-F5 for;
 Min:60mm
 Max:75mm



Raised Flooring Application
NDK-F5 for;
 Min:60mm
NDK-F7 for;
 Min:70mm

▶ Floor Cut Measurement

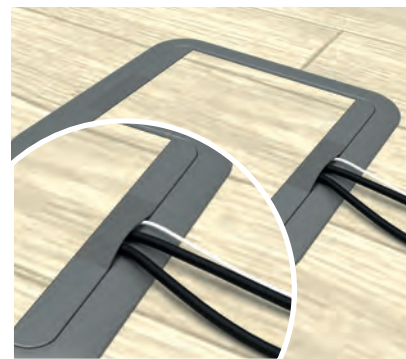


■ Dimensions are in millimeters.

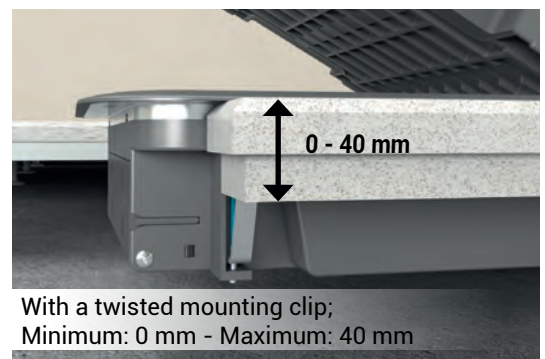
▶ 180° Degree Opening Top Lid



▶ Aesthetic Outlet Window



▶ Mounting Clips



■ The plastic material is 'Halogen-free'

■ Except for all kinds of sockets. Determine your needs from pages 26 and 27 and place a separate order

■ Except for all kinds of junction boxes and channels. Determine your needs from pages 24 and 25 and place a separate order.

E-LINE NDK-CX

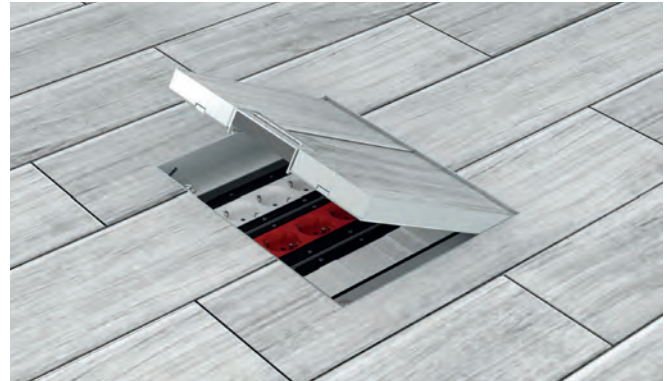
▶▶ STAINLESS STEEL COVERED COMPACT OUTLET BOXES

▶ Compact Solutions for Underfloor and Raised Flooring

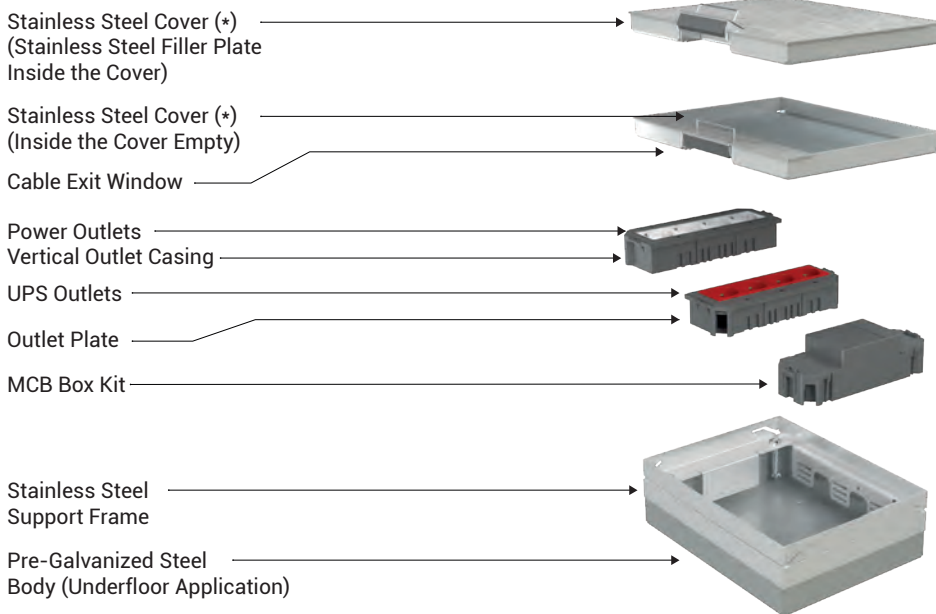
E-LINE NDK-CX; The new series of compact outlet boxes offers heavy-duty and alternative solution options for both underfloor and raised flooring applications with its galvanized steel body and reinforced stainless steel cover structure.

It provides practical solutions that are compatible with the box body thanks to the stainless steel filler plate inside the cover.

- **NDK-CX Mini;** 140x140x96mm (8 Modules)
- **NDK-CX 1;** 244x244x96mm (16 Modules)
- **NDK-CX 2;** 320x244x96mm (24 Modules)



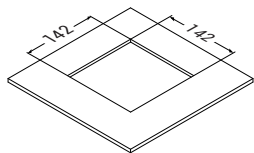
▶ General Construction



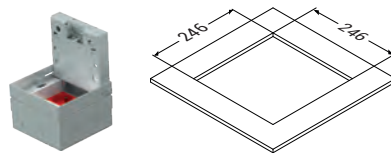
■ Except for all kinds of sockets, determine your needs from pages 36 and 37 and place an additional order.

▶ 3 Different Capacity Options

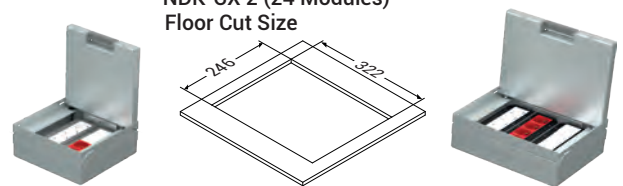
NDK-CX Mini (8 Module)
Floor Cut Size



NDK-CX 1 (16 Modules)
Floor Cut Size



NDK-CX 2 (24 Modules)
Floor Cut Size



■ Dimensions are in millimeters.

▶ Height Adjustment



The minimum screed height should be determined taking into account the thickness of the top covering material.

The total height of the top covering, together with the screed, cannot exceed the maximum heights provided on page 13. NDK-CX type compact socket boxes, thanks to their height adjustment screws, offer adjustment options at a single point both before and after screeding.

▶ Inside Cover Height



The inside cover height of NDK-CX type compact socket boxes is a standard 20mm.

(*) It can be manufactured in the desired dimensions according to the type and thickness of the floor.

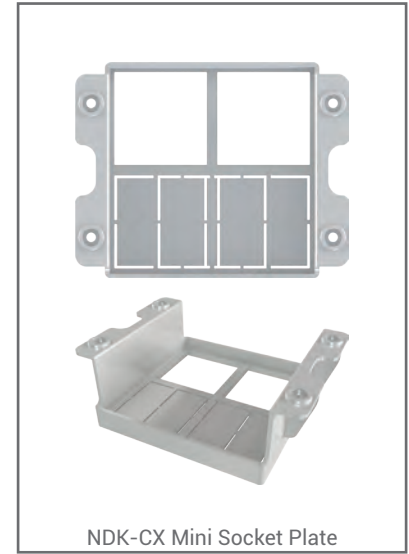
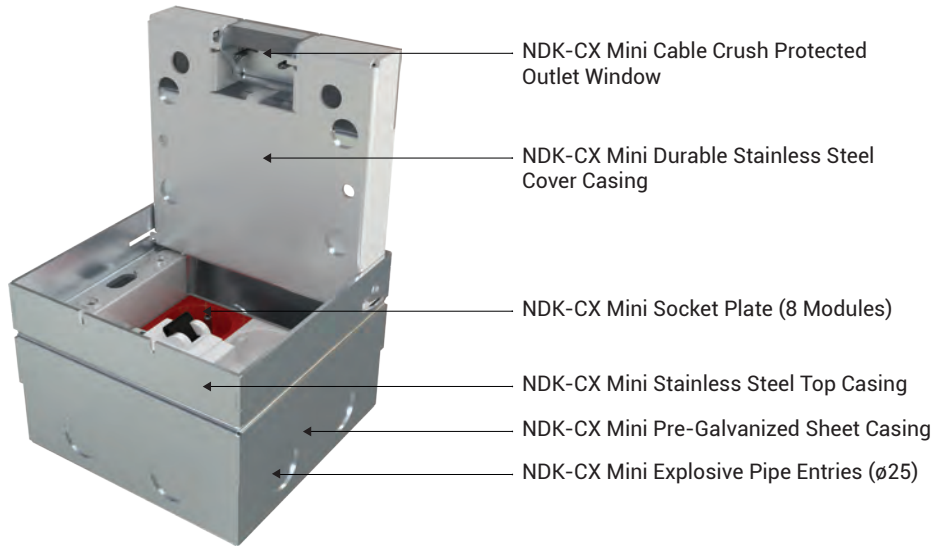
■ The plastic material is 'Halogen-free'

■ Except for all types of sockets. Please order sockets separately according to your needs from the relevant page.

E-LINE NDK-CX

►► FLOOR SOCKET BOXES

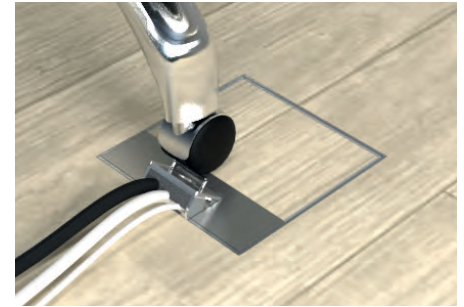
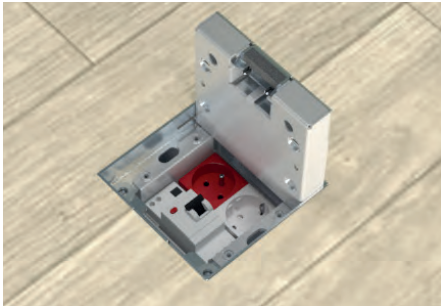
► NDK-CX Mini



► Other Features

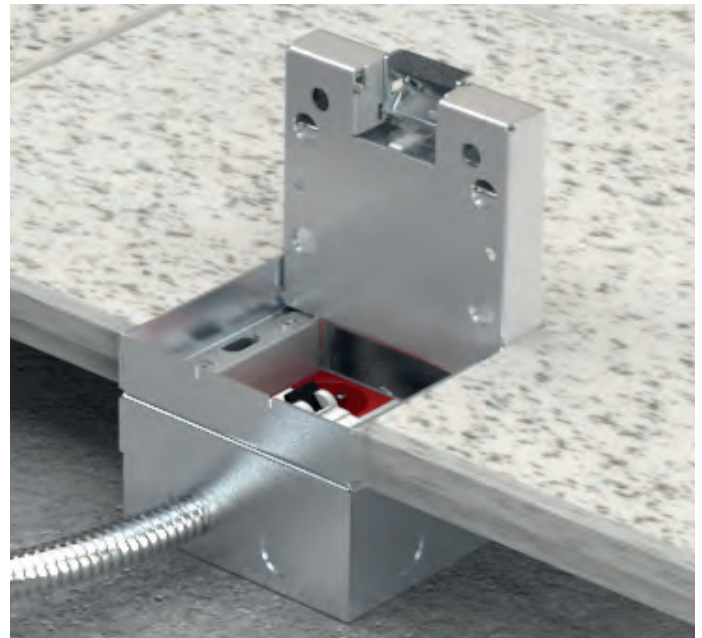
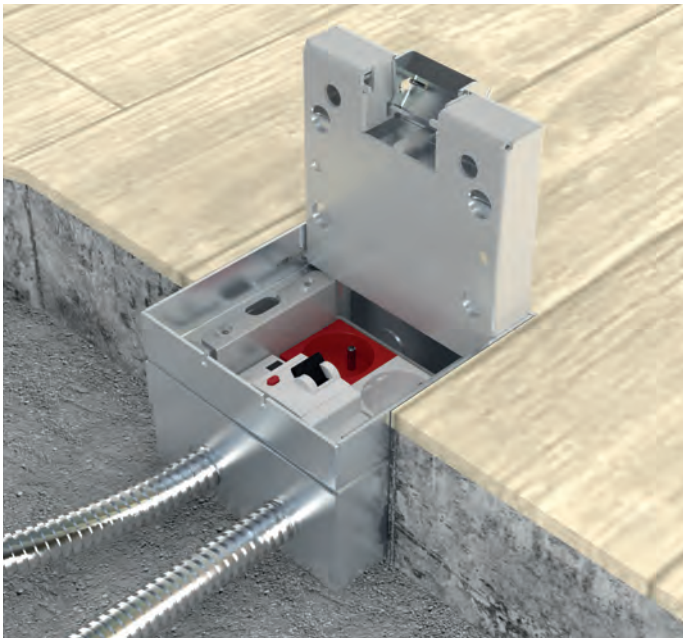
► Fuse Module

► Different Unbreakable Cover Options & Protected Cable Outlet Window



► NDK-CX Mini Under-Screed Application Example

► NDK-CX Mini Raised Floor Application Examp



E-LINE NDK-CX

►► FLOOR SOCKET BOXES

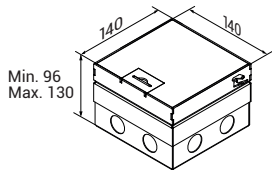
► CX Stainless Steel Cover Compact Socket Box and Ordering Codes



NDK-CX Mini D

Stainless Steel Filling Cover,
Compact Socket Box, Under-Screed

8 Modules, 140x140x96mm

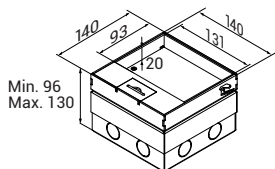


Order Code **3136718**

NDK-CX Mini

Stainless Steel Cover, Compact,
Socket Box, Under-Screed

8 Modules, 140x140x96mm

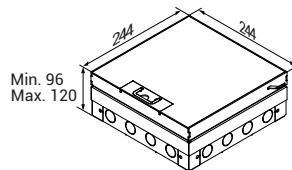
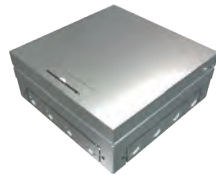


Order Code **3133897**

NDK-CX 1D

Stainless Steel Filling Cover, Compact,
Socket Box, Under-Screed

16 Modules, 244x244x96mm

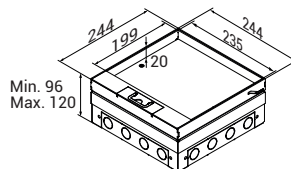
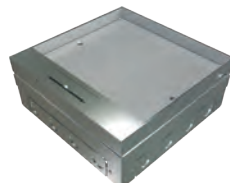


Order Code **3122682**

NDK-CX 1

Stainless Steel Cover, Compact,
Socket Box, Under-Screed

16 Modules, 244x244x96mm

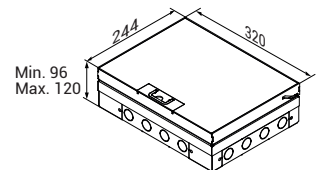
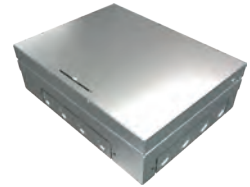


Order Code **3122681**

NDK-CX 2D

Stainless Steel Filling Cover, Compact,
Socket Box, Under-Screed

24 Modules, 320x244x96mm

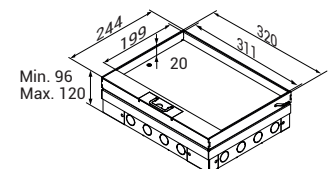
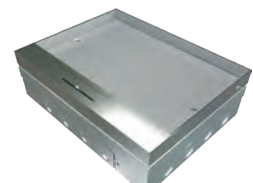


Order Code **3122686**

NDK-CX 2

Stainless Steel Cover, Compact,
Socket Box, Under-Screed

24 Modules, 320x244x96mm



Order Code **3122685**

■ Dimensions are in millimeters.

► NDK-CX Under-Screed Application Example

► NDK-CX Raised Floor Application Example



- NDK-CX 1 and NDK-CX 2 compact socket boxes have explosive side walls compatible with both pipe (ø25) and duct (180x25mm) entries.
- In your orders, please specify the finished floor heights for under-screed or raised floor applications.
- The socket box and socket plates are included, except for all types of sockets. Please choose the sockets you need and place a separate order from the relevant page.

E-LINE DKM-P



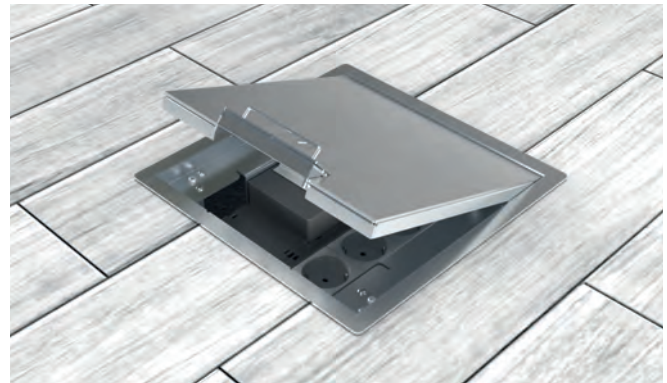
►► STAINLESS STEEL COVER SOCKET BOXES

► Compact Solutions for Under-Screed and Raised Floor Applications

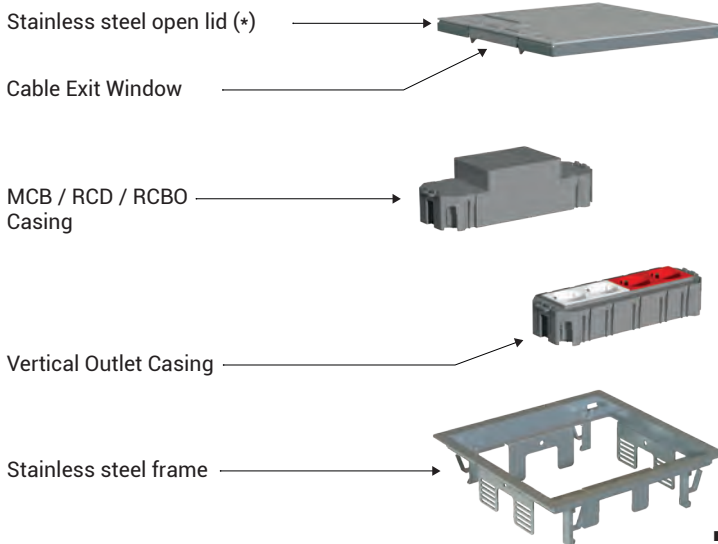
E-LINE DKM-P; E-LINE DKM-P; The new series of compact socket boxes offers alternative solution options with its stainless steel body and reinforced stainless steel cover for both under-screed and raised floor applications.

Especially in areas with heavy foot traffic or where it is subjected to pressure under chairs, it completely eliminates the problem of breakage, serving as a heavy-duty solution.

- **DKM-P;** 234x234x80mm (16 Modules)



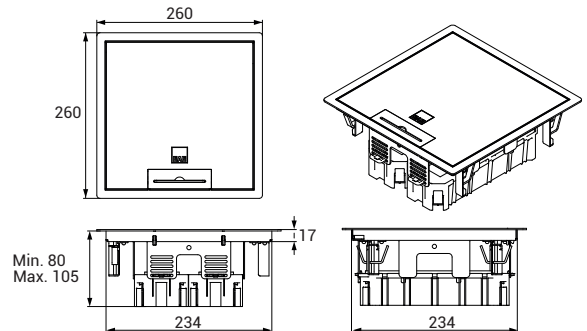
► General Construction



(*) The inside of the cover is made of 4mm pregalvanized sheet steel, reinforced, and there is no internal cavity inside the cover

Order Codes	
Description	Order Code
DKM-P Stainless Compact Socket Box, 16 Modules, 234x234x80, Complete	3134085
DKM-S1 (360X360) Output Connector	3000174

■ The socket casing and plates are included, excluding any type of socket. Please select and order the sockets separately from the relevant page

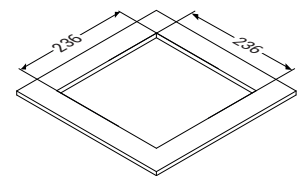


- Measurements are in millimeters
- In the standard product, the raised floor 'h' must be a minimum of 80mm
- The minimum screed height, along with the top covering, should be 80mm
- Measurements are in millimeters

► DKM-P Underfloor Screed and Raised Floor Application Example

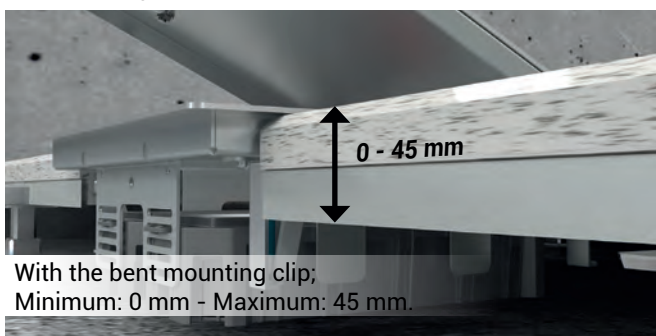


► Floor Cutting Measurement

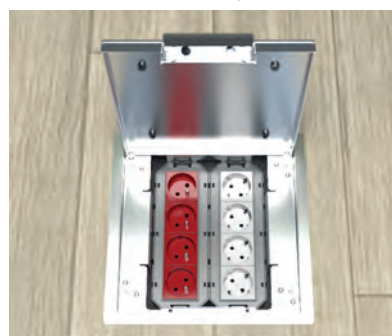


■ Dimensions are in millimeters.

► Assembly Clips



► Module Capacity



DKM-P type compact, stainless steel socket boxes are suitable for vertical socket use and have a capacity of 16 socket modules.

The network and UPS sockets can be used together with low-current sockets such as data and telephone sockets. It is recommended to use L type plugs

E-LINE NDK-GRM

►► NEW PLASTIC GROMMET 6 Modules

► Multi-Function Socket Box

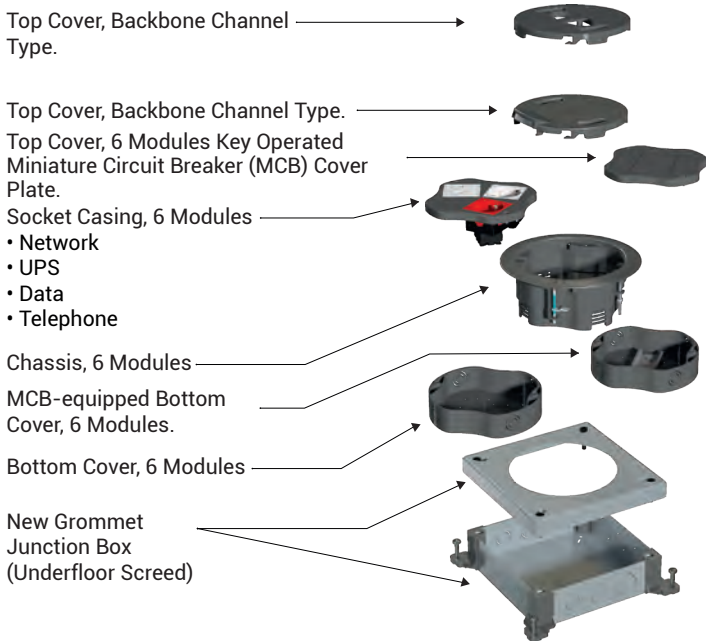
- 6 Module Socket Capacity
- h=75mm/ø180
- Raised Floor and Screed Underfloor Usage Options

The plastic material is 'halogen-free'

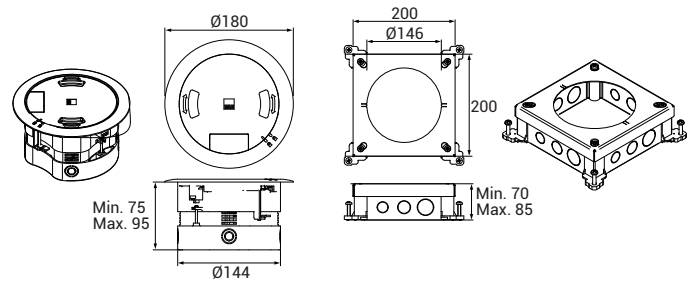
Used as a small and compact 6-module socket box, it can also be used for cable passages from under the floor, on top of the floor, or on the table with a socket plate compatible with MCB, RCD, or RCBO when desired.



► General Structure

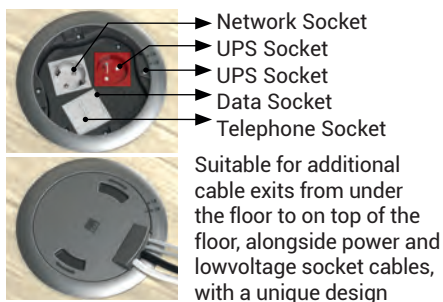


Order Codes		
Description	Gray	Smoke
New Plastic Grommet, 6 Modules, with Socket Plate, Complete	3159337	3159340
New Plastic Grommet, 6 Modules, with MCB Plate, Complete	3159341	3159344
New Plastic Grommet, 6 Modules, with Socket Plate, Backbone Cover	3210162	3210165
New Plastic Grommet, 6 Modules, with MCB Plate, Backbone Cover, Complete	3210166	3210169
GRM New Plastic Grommet, Underfloor Junction Box, 6 Modules	3159345	

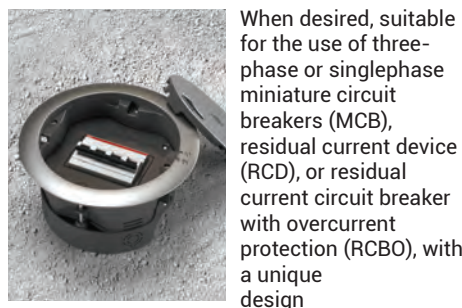


■ Dimensions are in millimeters.

► Multi-Purpose Building



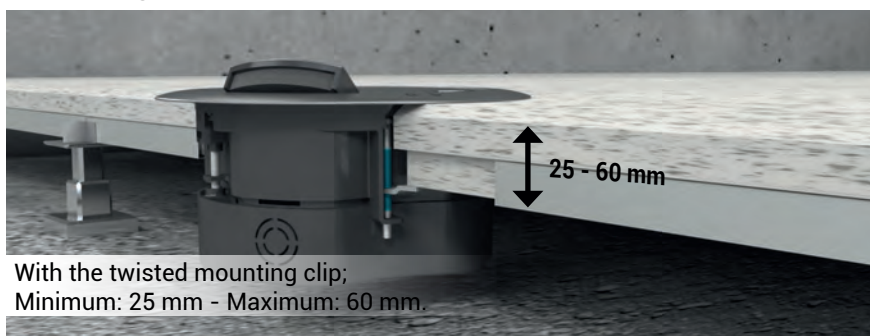
► Usage with MCB



► Integrated Usage with Backbone Channel

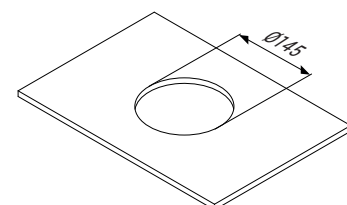


► Mounting Clips



With the twisted mounting clip;
Minimum: 25 mm - Maximum: 60 mm.

► Floor Cutting Dimension



E-LINE NDK-GRM

- ▶▶ NEW PLASTIC GROMMET 6 Module
- ▶ Multi-Function Outlet Box

▶ Raised Floor Application Example



▶ Under Floor Application Example



▶ Application Example with Backbone Channel



▶ Protected Exit Window

A structure with gasket protected windows that allows for easy and secure exit with multiple cables



▶ Ergonomic Cover Structure

A perforated and locking cover structure with a practical grip feature that facilitates opening and closing



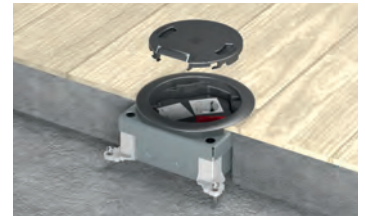
▶ Socket Capacity

A small-sized New Plastic GROMMET that meets network, UPS, data, and telephone needs. It offers versatility in usage with a capacity of 6 modules and an ergonomic interior design.

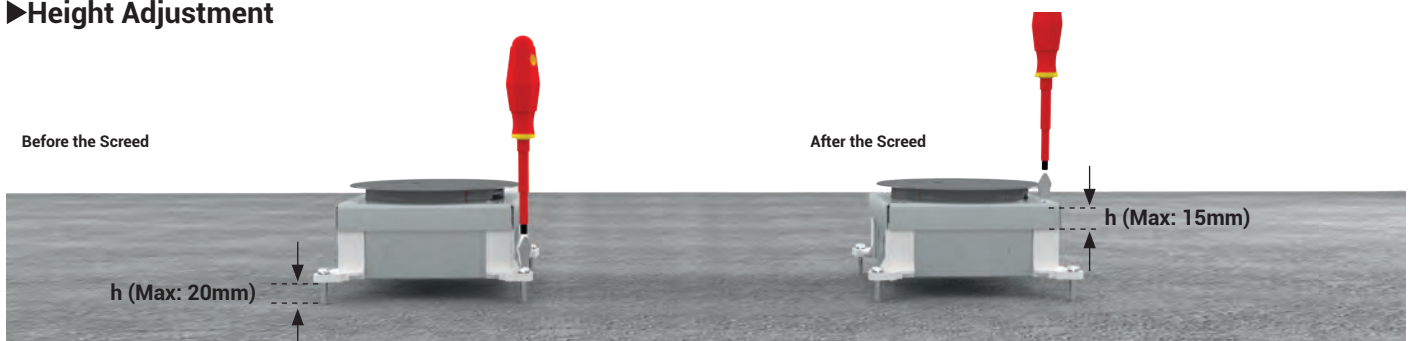


▶ Under Floor Application

The New Plastic Grommet (6 modules) should be used in conjunction with the Underlayment Box. The minimum underlayment height is 75mm.



▶ Height Adjustment



E-LINE DKY-GRM



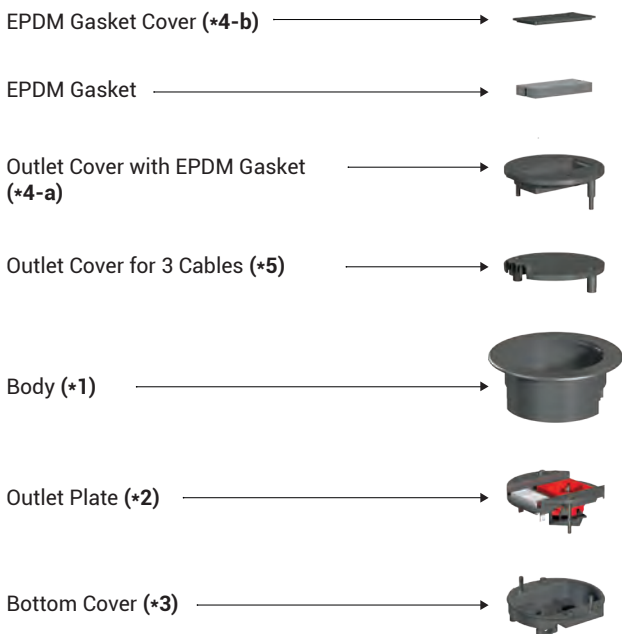
►► DKY MINI GROMMET 3 Module

► Outlet Box

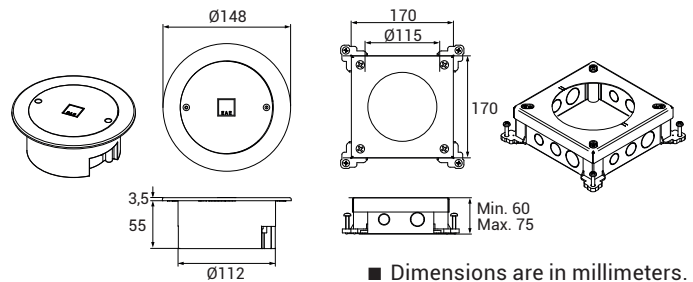
DKY Grommet Socket Box, meets your needs. It provides a 3-module output capacity. Its ergonomic interior design ensures ease of use. The plastic material is 'halogen-free'. With its floor depth and various color options, it can easily be used in a variety of different decoration applications. DKY Grommet Outlet Box can be used in conjunction with 3 different cover alternatives.



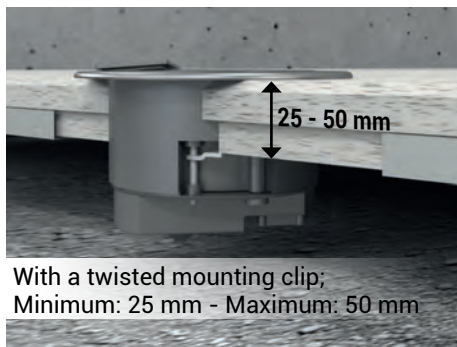
► General Construction



Order Codes		
Description	Gray	Smoke
DKY Mini Grommet, 3 Modules, Body (*1)	3007357	3253967
DKY Mini Grommet, 3 Modules, Outlet Plate (*2)	3007345	3253968
DKY Mini Grommet, 3 Modules, Bottom Cover (*3)	3007339	3253969
DKY Mini Grommet, 3 Modules, EPDM Gasket Outlet Cover (*4-a)	3007354	3253970
DKY Mini Grommet, 3 Modules, Gasket Cover (*4-b)	3007342	3253971
DKY Mini Grommet, 3 Modules, Triple Cable Outlet Cover (*5)	3007348	3253972
DKY Mini Grommet, 3 Modules, Blind Cover (*6)	3007351	3253973
DKY Mini Grommet Under Floor Box, 3 Modules	3122081	



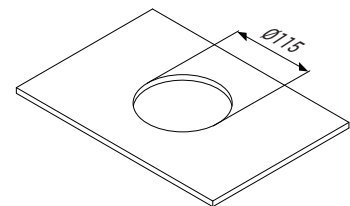
► Mounting Clips



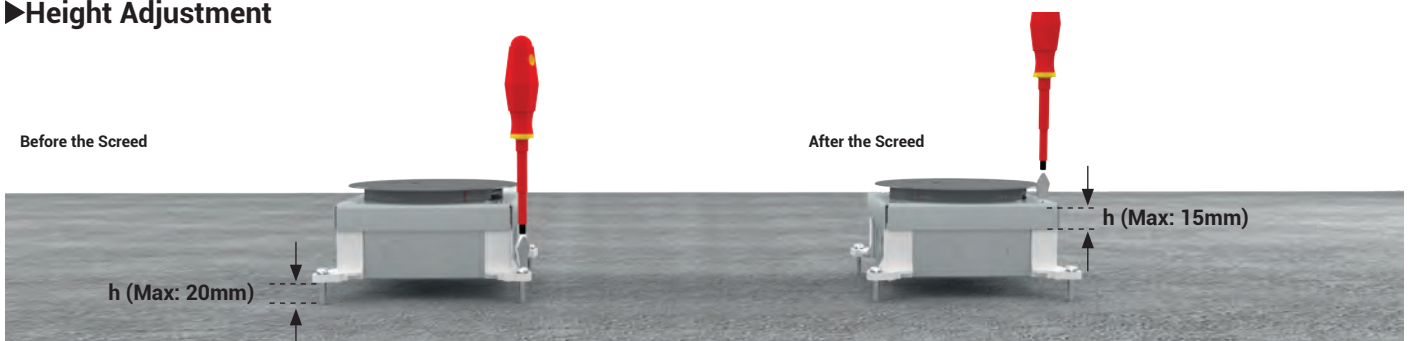
► Raised Floor Application



► Floor Cutting Dimension



► Height Adjustment



E-LINE DKY-GRM

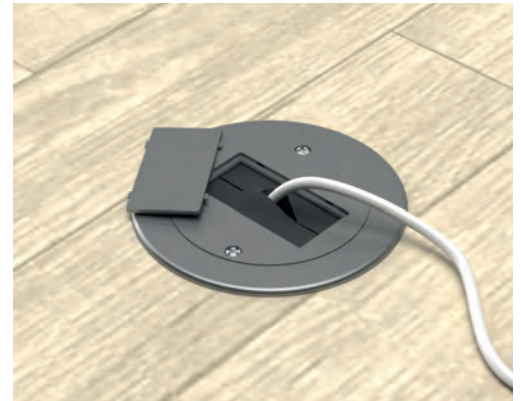
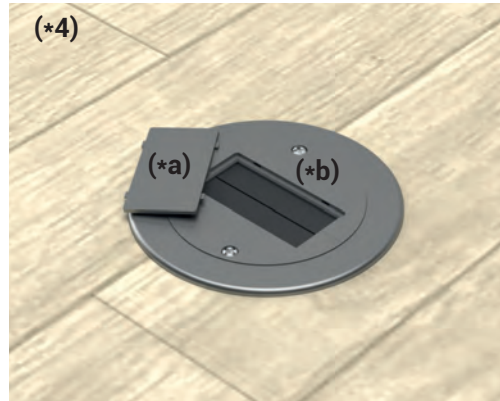
▶▶DKY MINI GROMMET 3 Module

▶DKY Mini Grommet Outlet Box Cover Models

▶Outlet Cover with EPDM Gasket (Model 1)

Thanks to its EPDM gasket protected outlet, it offers aesthetic and secure usage. It has a structure that can be integrated with a backbone channel if needed

Additionally, in cases where no outlet is used, it can be converted into a blind cover by using a cover on the gasket



▶Triple Cable Outlet Cover (Model 2)

Thanks to its special design that takes cable cross-section into account, it ensures safe usage



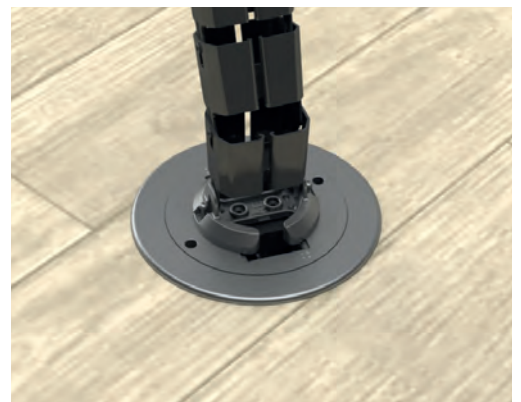
▶Blind Cover (Model 3)

It is used to ensure the safety of the environment when the socket box is not actively used.



▶Spine Duct Integrated Upper Cover (Model 4)

Please specify in the order if it is to be used with the spine channel



■ Except for all kinds of outlets. Please order the outlets separately by selecting the ones you need from the relevant page.

E-LINE NDK-GRM-IP55



▶▶ IP55 PLASTIC GROMMET

▶ IP55 Socket Box,

- 4 Module Outlet Capacity
- $\varnothing 205/h=67\text{mm}$
- Raised Floor and Under Floor Usage Option

It is "halogen free".

The frame and cover are made of stainless steel, providing protection against hard objects and contact



▶ General Construction

IP55 Plastic Grommet Top Chassis



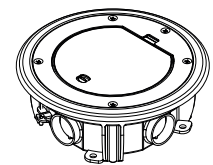
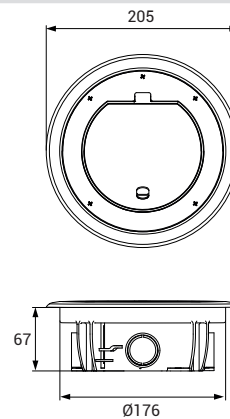
Foam (to protect the bottom body against the screed entry.)



IP55 Bottom Body



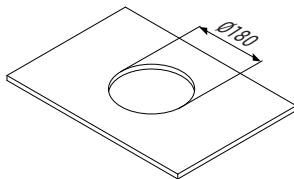
Order Codes		
Description	Gray	Smoke
IP55 Plastic Grommet, 4 Modules, Complete	3087076	3122666



- Outlets are not included. They should be selected and ordered from the table on the back page as per the requirement.
- Dimensions are in millimeters.

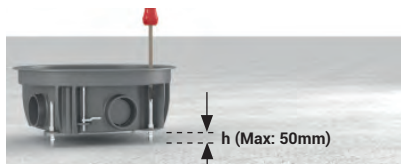
▶ Floor Cutting Measurement

GRM IP55 BOX raised floor hole diameter is $\varnothing 180$.



- Two-tiered hinged cover structure
- Modular type (45x45mm and 22.5x45mm) suitable for energy, data, telephone, and multimedia outlets with compatible plastic outlet plates
- Body suitable for underfloor screed and raised floor usage, along with pipe-connected underfloor plastic casing
- Capacity for up to six (4) modular outlets
- Special locking mechanism on the cover to prevent cable crushing

▶ Height Adjustment

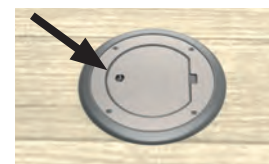


▶ Screed Application



The 'styrofoam' material to be used inside the subfloor prevents the entry of screed into it

▶ Easy Locking Structure



Making it practical and effortless to open and close the lid

▶ Points to Consider in Usage Areas

- This product is suitable for indoor use only.
- Do not expose it directly to sunlight.
- Do not use the product in areas close to water. For example, near a bathroom or kitchen sink.
- Do not insert objects into the openings of the product. Do not spill liquids on the product.
- Keep the product away from radiators, stoves, or any heat sources.
- The product should not be subjected to impacts or have heavy loads placed on it.
- Ensure that the cover is completely closed to maintain the IP rating of the product.

▶ Areas of Use



- Please review the "User Manual" included in the product box.
- Except for all kinds of outlets. Please order the outlets separately by selecting the ones you need from the relevant page.

E-LINE NDK-MINI

►► IP-66 SERIES PRODUCTS

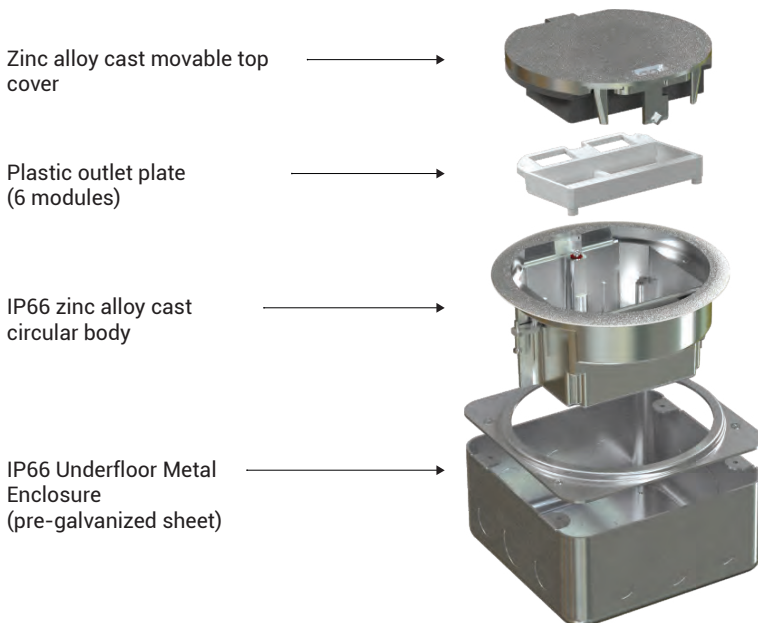
► IP66 C-Box, 6 Modules Socket Box,

The C-Box outlet box, thanks to its zinc alloy cast body, has an elegant and durable structure. It provides protection against water and dust with an IP-66 protection level.

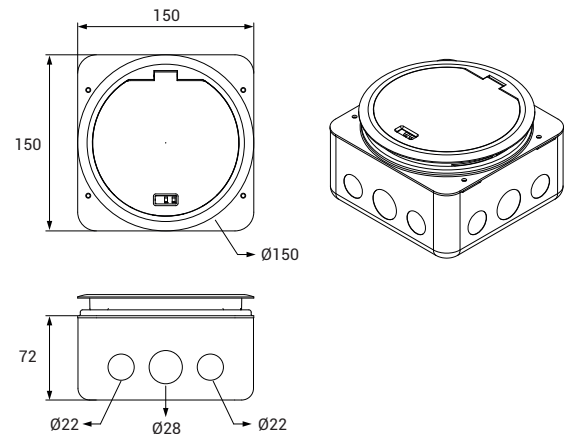
You can safely use the two-stage hinged cover C-Box series products in your living space to prevent cable crushes. With a capacity of 6 modules, it offers the opportunity for customization to meet your needs with its circular structure



► General Construction



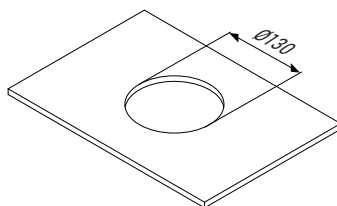
Order Codes	
Description	
IP-66 C-Box (6 Modules)	1022597



- Outlets are not included. They should be selected and ordered from the table on the back page as per the requirement.
- Dimensions are in millimeters.

► Raised Floor Hole Diameter

IP66-C BOX raised floor hole diameter is 130mm.

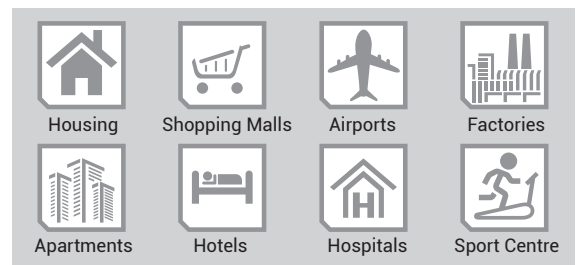


- Two-tiered hinged cover structure
- Modular type (45x45mm and 22.5x45mm) suitable for energy, data, telephone, and multimedia outlets with compatible plastic outlet plates
- Body suitable for underfloor screed and raised floor usage, along with pipe-connected underfloor metal casing
- Capacity for up to six (4) modular outlets
- Special locking mechanism on the cover to prevent cable crushing

► Points to Consider in Usage Areas

- This product is suitable for indoor use only.
- Do not expose it directly to sunlight.
- Do not use the product in areas close to water. For example, near a bathroom or kitchen sink.
- Do not insert objects into the openings of the product. Do not spill liquids on the product.
- Keep the product away from radiators, stoves, or any heat sources.
- The product should not be subjected to impacts or have heavy loads placed on it.
- Ensure that the cover is completely closed to maintain the IP rating of the product.

► Areas of Use



- Please review the "User Manual" included in the product box.
- Except for all kinds of outlets. Please order the outlets separately by selecting the ones you need from the relevant page.

E-LINE NDK-MINI



►► IP-66 SERIES PRODUCTS

► IP66 R-Box, 6 Modules Socket Box,

R-Box, The socket box with an IP-66 protection level is resistant to water and dust. It offers safe usage with its two-stage hinged cover, which prevents cable damage.

R-Box, offering the possibility of use either on the desktop, under the counter, or on raised flooring, features a rectangular structure with a capacity of 6 modules, allowing you to personalize it according to your needs



► General Construction

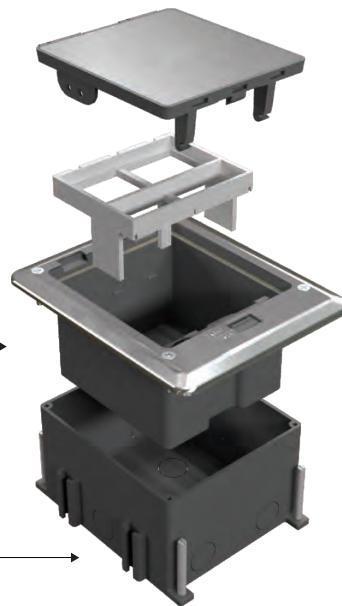
Plastic top cover (stainless steel filler inside the cover)

Plastic outlet plate (6 modules)

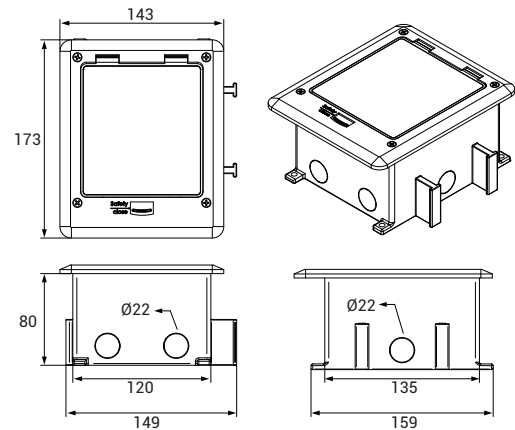
IP66 Stainless steel-framed, plastic rectangular body

IP66 Underfloor Plastic Enclosure

Pre-handle level adjustment screw (0-50mm)



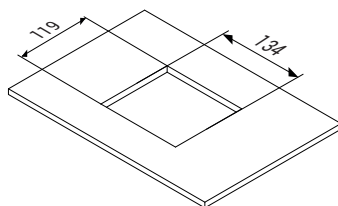
Order Codes	
Description	
IP-66 R-Box (6 Modules)	1022596



- Outlets are not included. They should be selected and ordered from the table on the back page as per the requirement.
- Dimensions are in millimeters.

► Raised Floor Hole Diameter

IP66-R BOX raised floor hole diameter is 119x134mm.

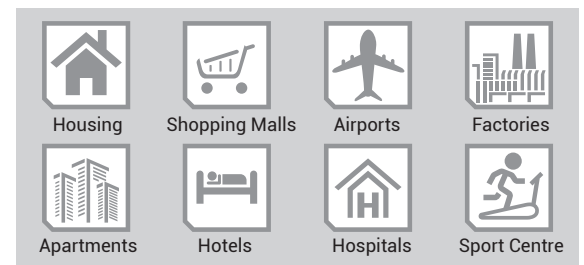


- Two-tiered hinged cover structure
- Modular type (45x45mm and 22.5x45mm) suitable for energy, data, telephone, and multimedia outlets with compatible plastic outlet plates
- Body suitable for underfloor screed and raised floor usage, along with pipe-connected underfloor plastic casing
- Capacity for up to six (4) modular outlets
- Special locking mechanism on the cover to prevent cable crushing

► Points to Consider in Usage Areas

- This product is suitable for indoor use only.
- Do not expose it directly to sunlight.
- Do not use the product in areas close to water. For example, near a bathroom or kitchen sink.
- Do not insert objects into the openings of the product. Do not spill liquids on the product.
- Keep the product away from radiators, stoves, or any heat sources.
- The product should not be subjected to impacts or have heavy loads placed on it.
- Ensure that the cover is completely closed to maintain the IP rating of the product.

► Areas of Use



- Please review the "User Manual" included in the product box.
- Except for all kinds of outlets. Please order the outlets separately by selecting the ones you need from the relevant page.

E-LINE NDK-MINI



▶▶ IP-40 SERIES PRODUCTS

▶ P Box 3M / P Box 6M

Pop-up Enhance your living space with the Pop-up series products. With their elegant and user-friendly design, you can easily access power from the nearest point

It offers the possibility of use on the desktop, under the floor, or on a raised floor, whichever you prefer

You can personalize the outlets inside by choosing the module that suits your needs (3 / 6 modules).



▶ General Construction

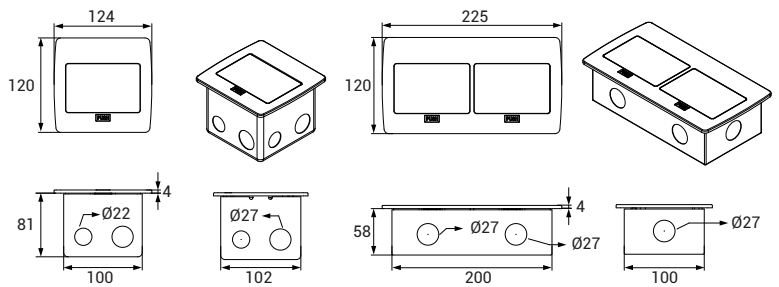
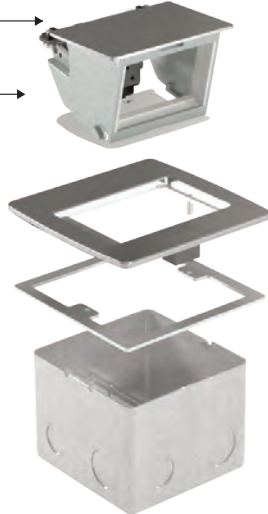
Swinging stainless steel cover

Plastic outlet plate (3 modules)

Semi-Fixed Frame (stainless steel)

Desk connecting part (stainless steel)

Metal enclosure suitable for underfloor and raised floor applications (pregalvanized sheet)



Order Codes	
Description	
P-Box 3M (3 Modules)	1022598
P-Box 6M (6 Modules)	1022599
P-Box 3M Desk Connection Part (Stainless steel)	2086156
P-Box 6M Desk Connection Part (Stainless steel)	2086157

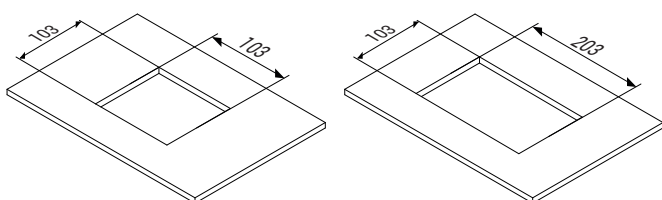
- Soft-opening covers
- Suitable for modular type (45x45mm and 22.5x45mm) plastic outlet plates for power, data, telephone, and multimedia outlets
- Suitable for use on desks, raised floors, and underfloor applications
- 3 Module and 6-Module options



■ Desk connecting part; should be ordered separately for in-desk and raised floor (flush) applications

■ Dimensions are in millimeters.

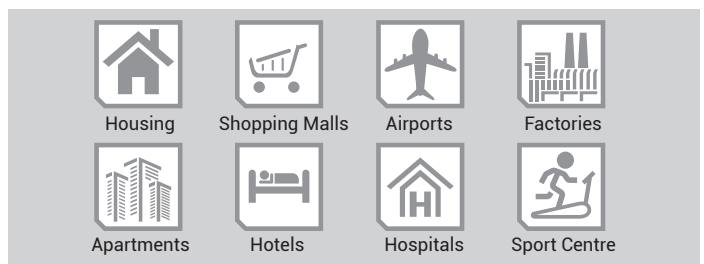
▶ Table and Floor Cutting Dimension



The raised floor hole measurement for P-Box 3M is 102x105 mm

The raised floor hole measurement for P-Box 6M is 202x105 mm

▶ Areas of Use



■ Except for all kinds of outlets. Please order the outlets separately by selecting the ones you need from the relevant page.

E-LINE NDK-SM FLEX

►► BACKBONE CHANNEL and CABLE PASS-THROUGH MODULES



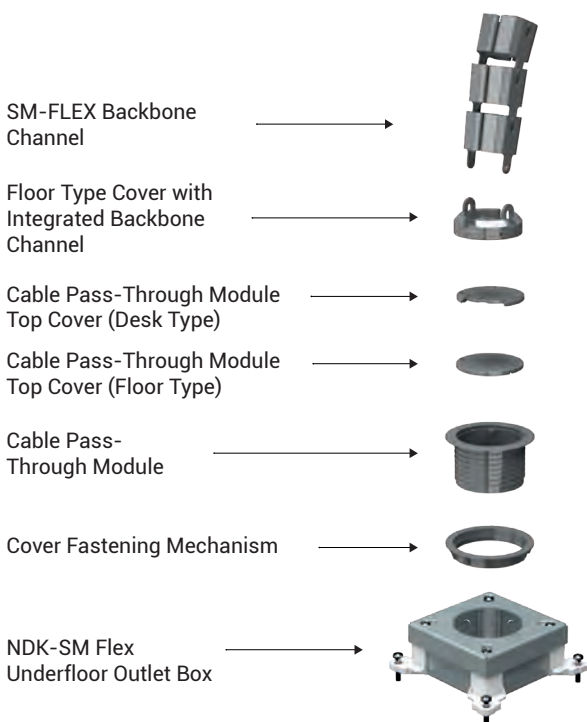
Desktop, raised floor, and underfloor usage options.

The plastic material is 'halogen-free'.

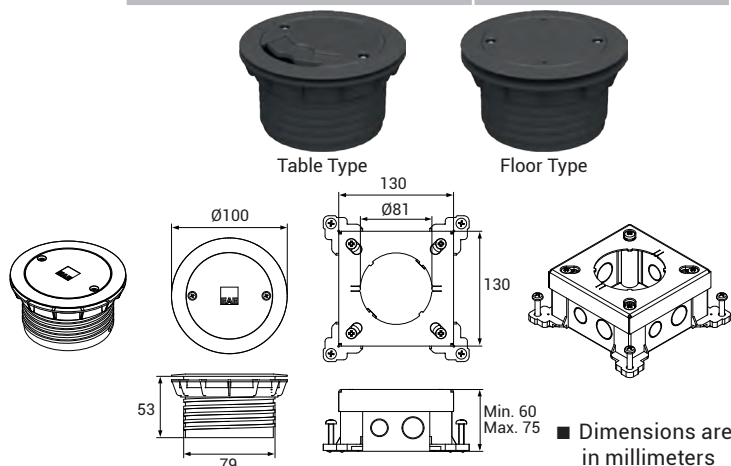
With its small and compact structure, it can also be used for cable passages from under the floor, above the floor, or on the desk if desired, in conjunction with the backbone channel.



► General Construction



Order Codes		
Description	Gray	Smoke
SM-FLEX Backbone Channel	5000363	5001022
Cable Pass-Through Module, Floor Type, Backbone Integrated	3255187	3255188
Cable Pass-Through Module, Desk Type, Backbone Integrated	3255185	3255186
Cable Pass-Through Module, Underfloor Outlet Box	3266098	

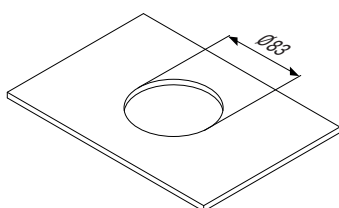


► Cable Pass-Through Modules

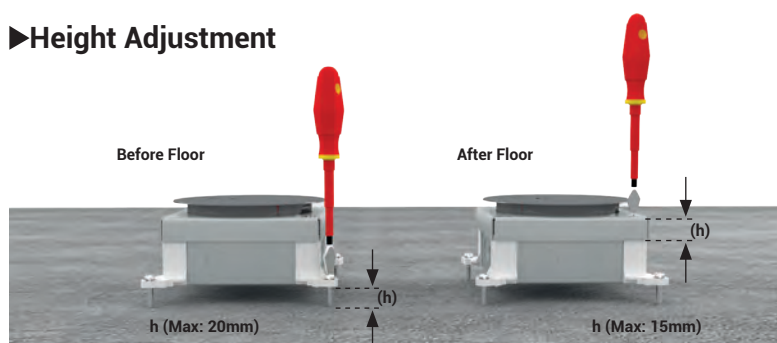
These are designed for use on raised or underfloor applications and desks, offering an aesthetic and comfortable experience with their threaded locking component and cable passthrough openings



► Table and Floor Cutting Dimension



► Height Adjustment

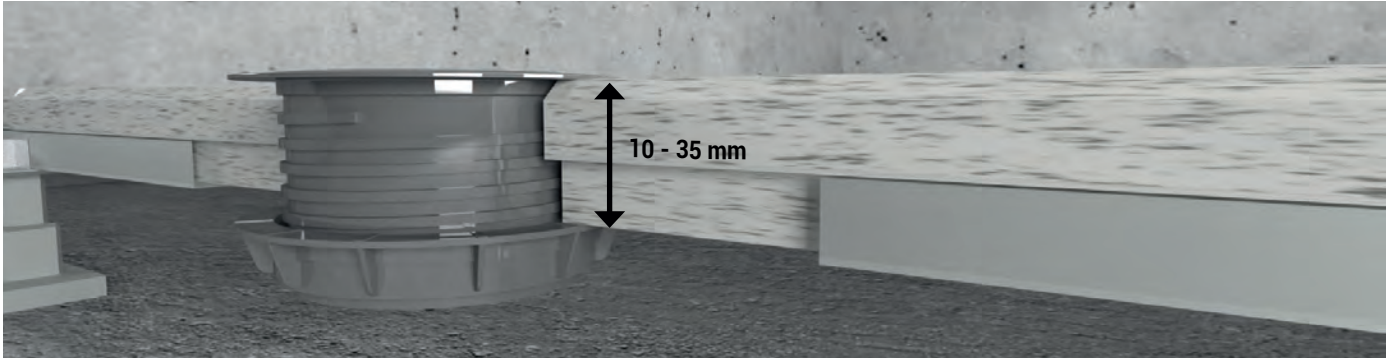


E-LINE NDK-SM FLEX

▶▶ BACKBONE CHANNEL and CABLE PASS-THROUGH MODULES



▶ Raised Floor Installation



■ The minimum floor thickness is 10mm

■ The maximum floor thickness is 35mm

▶ Integrated Backbone Channel Floor Application



Backbone Channel
Integrated Cover

▶ Cable Pass-Through Module Desk Application



Moving
Cable Pass-Through Cover

▶ SM-FLEX BACKBONE CHANNEL

To deliver high-power, low-power, and multimedia cables emerging from the floor to desks or workspaces;

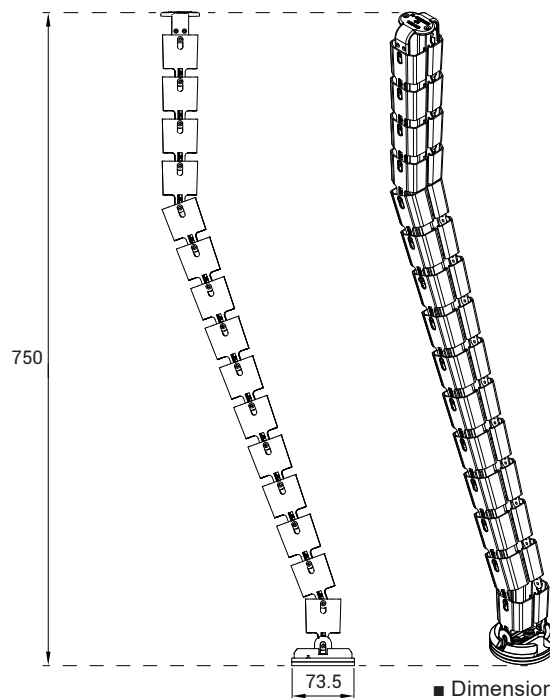
- Flexible and aesthetic solution
- Halogen-Free plastic material
- Standard Length = 750 mm



(Gray)



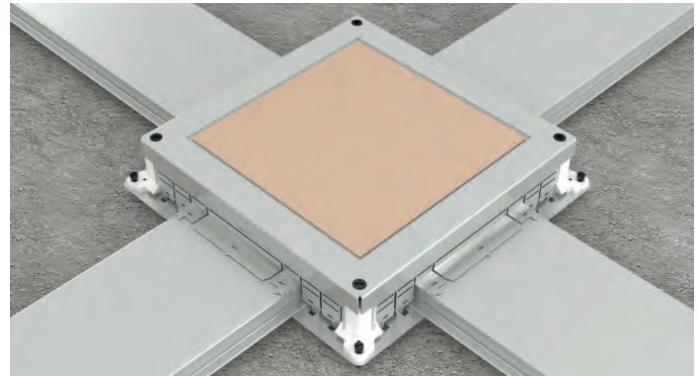
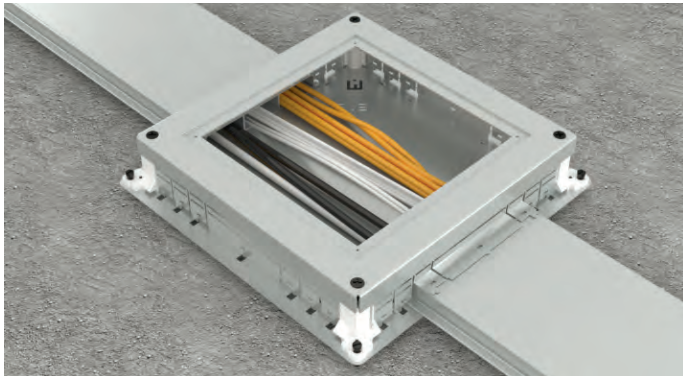
(Smoke)



E-LINE DB-DKL

▶▶ UNDERFLOOR OUTLET BOXES and CABLE CHANNELS

▶ Exit and Pull Box Solutions



▶ Outlet Boxes and Cable Channels

▶ Pull Box (DB-SK)

It includes a hinged access window that is necessary for pulling electrical installation cables (power and low-current)

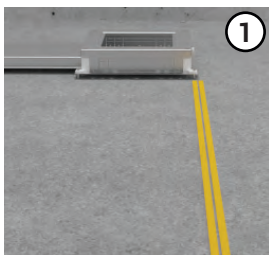
▶ Exit Box (DB-S)

It is used for the installation of outlet boxes and does not include a cover.

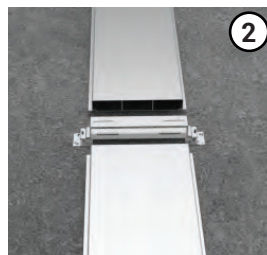
▶ Cable Channel (DKL)

It consists of two parts: the lower body and the upper cover. The connection of these two parts is made by interlocking with the 'roll-form' technique (this method preserves the product's corrosive resistance without damaging the pre-galvanized coating)

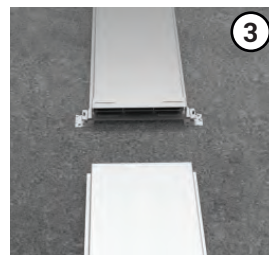
▶ Underfloor Outlet Box and Cable Channel Installation Instructions



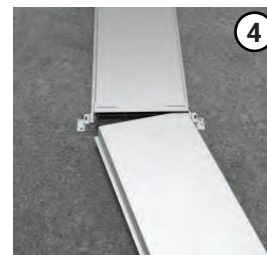
1 Please pull the appropriate IP (Ingress Protection) for the system



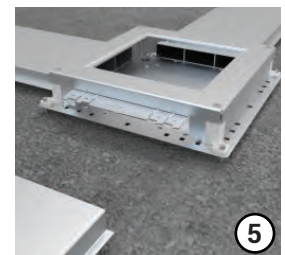
2 Connect the channels to each other



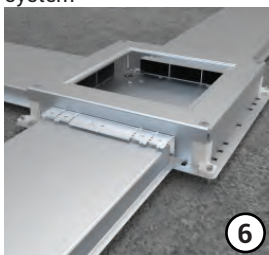
3 Attach the additional components to the ends of the channels



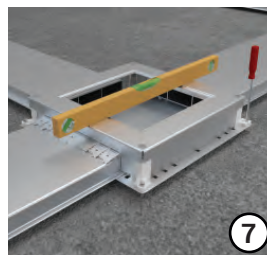
4 Attach the other channel to the additional component and secure it with leveling elements



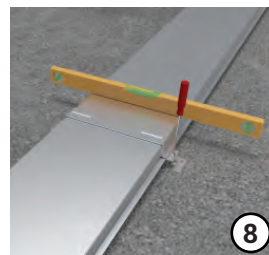
5 Bend the separator plate on the exit box for the channel entry



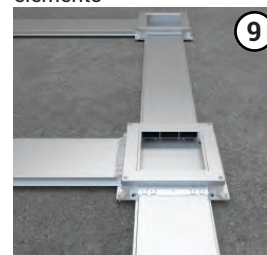
6 Attach the channel to the entrance of the exit box



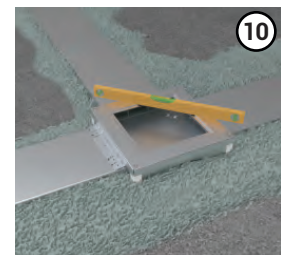
7 Level the exit box using a spirit level



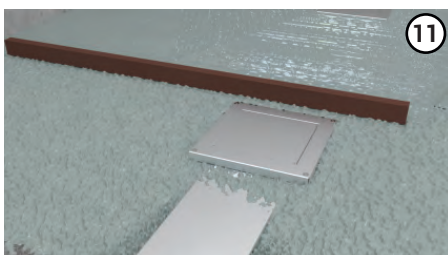
8 Adjust the level with a water level



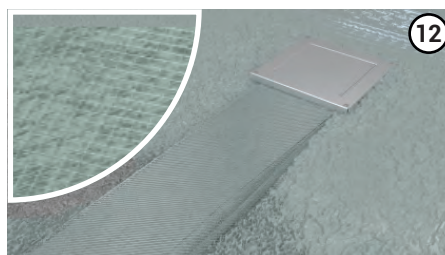
9 Complete the system connections



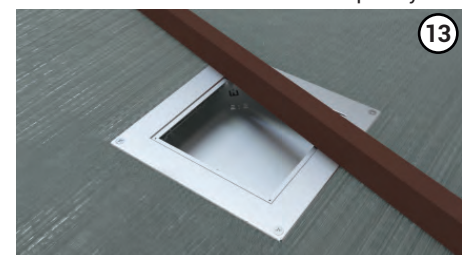
10 Pour the leveling compound. Fill the gaps beneath the exit box and the channel completely.



11 Before pouring the floor screed, apply a wire mesh (fine mesh wire) over the channels. First, apply a layer of cement mortar on top of the channel, and then lay and secure the wire mesh to the floor



12 Apply a thin layer of cement mortar over the wire mesh

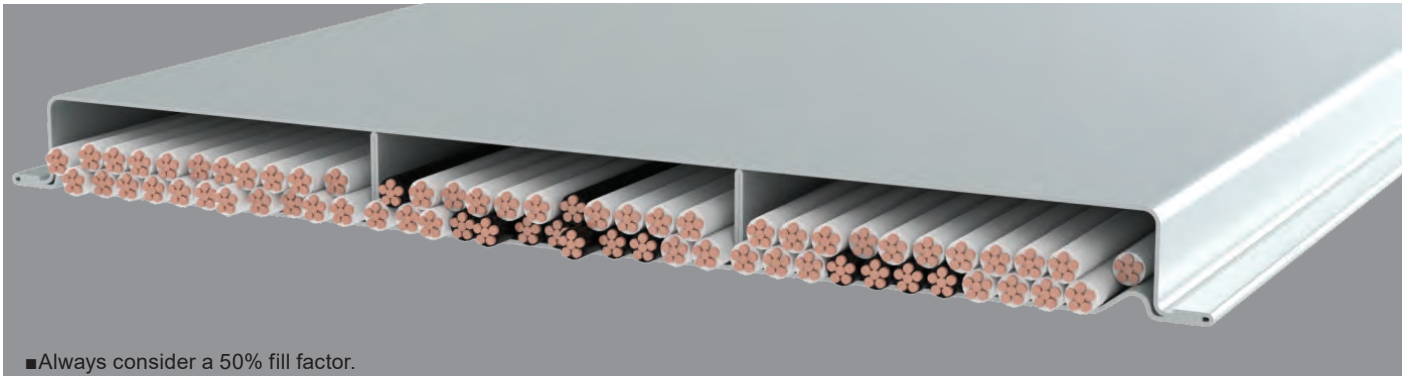


13 Finally, pour the regular screed and level it using a trowel to match the previously pulled string level

E-LINE DB-DKL

▶▶ UNDERFLOOR OUTLET BOXES and CABLE CHANNELS

▶ Cable Channels



▶ Design and Selection

• EAE underfloor cable channels are available in two different heights and four different widths Providing a total of 8 options in 2000mm standard lengths.

• Thanks to its special welded design, it prevents damage to the cables passing through and ensures maximum utilization of the interior channel space

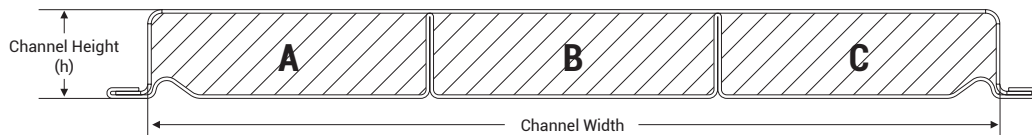
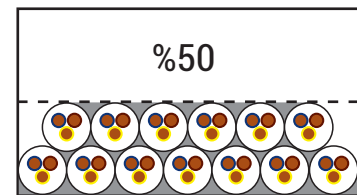
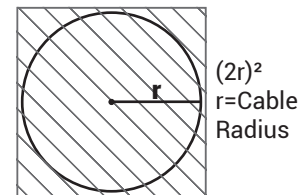
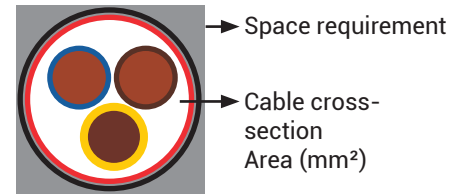
• The cable diameter alone is not sufficient information for where a cable really needs to be placed. This value can be calculated, including intermediate spaces, as stated below, using the formula $(2r)^2$

• Space requirement for 1 cable = $(2r)^2$
 Space requirement for 'n' cables = $n \times (2r)^2$

(The total cable space requirement should be calculated separately for each cable and then adjdged)

• EAE underfloor cable channels; in accordance with Article 11.1 of the IEC 50085-2-2 standard regarding "electrical continuity," they have sufficient conductivity and can be used as an equipotential connection and/or protective conductor, as specified in Note 1 of the same article

• F or this purpose, "electrical impedance" tests specified in Article 11.1.2 of the same standard have been conducted, and the values defined by the standard have been met

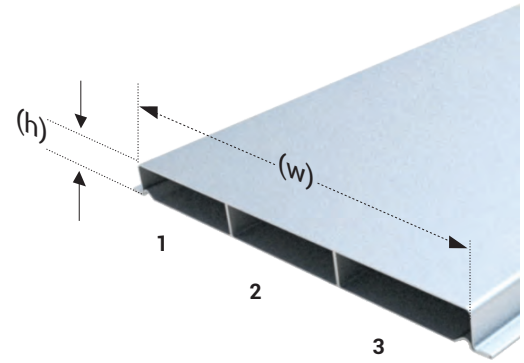
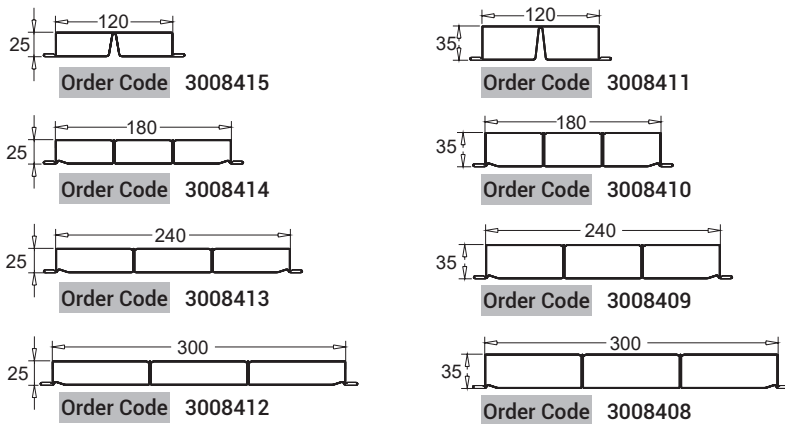


Cross-Section Views	Nominal Size		Channel Path Width (mm)			Theoretical Cross-Sectional Area (mm ²)			Theoretical Total Cross-Sectional Area (mm ²)
	Channel Height (mm)	Channel Width (mm)	A	B	C	A	B	C	A+B+C
	25	120	55	55	-	1367	1367	-	2733
		180	57,5	60	57,5	1367	1367	1367	4100
		240	77,5	80	77,5	1835	1835	1835	5504
		300	97,5	100	97,5	2303	2303	2303	6908
	35	120	55	55	-	1951	1951	-	5852
		180	57,5	60	57,5	1951	1951	1951	5852
		240	77,5	80	77,5	2619	2619	2619	7856
		300	97,5	100	97,5	3287	3287	3287	9860

E-LINE DB-DKL

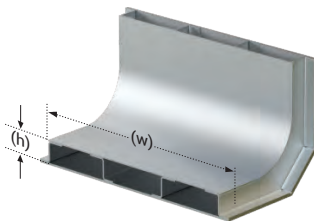
►► UNDERFLOOR DUCTS AND CABLE CHANNELS

► Cable Tray

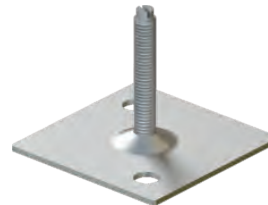


► Vertical Bend Element

25 x 120mm	Order Code	3008391
25 x 180mm	Order Code	3008390
25 x 240mm	Order Code	3008389
25 x 300mm	Order Code	3008388
35 x 120mm	Order Code	3008222
35 x 180mm	Order Code	3008221
35 x 240mm	Order Code	3008220
35 x 300mm	Order Code	3008219



► Level Adjustment Element



Order Code 1004333

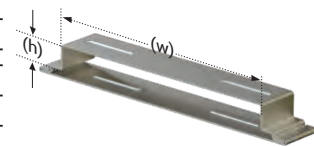
► Channel Fixing Element



Order Code 3136437

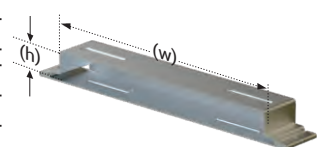
► Additional Element

25 x 120mm	Order Code	3008407
25 x 180mm	Order Code	3008406
25 x 240mm	Order Code	3008405
25 x 300mm	Order Code	3008404
35 x 120mm	Order Code	3008403
35 x 180mm	Order Code	3008402
35 x 240mm	Order Code	3008401
35 x 300mm	Order Code	3008400



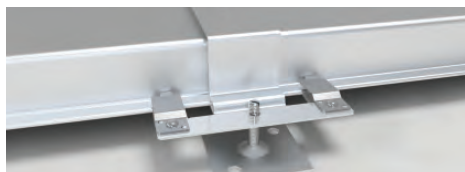
► Termination Element

25 x 120mm	Order Code	3008399
25 x 180mm	Order Code	3008398
25 x 240mm	Order Code	3008397
25 x 300mm	Order Code	3008396
35 x 120mm	Order Code	3008395
35 x 180mm	Order Code	3008394
35 x 240mm	Order Code	3008393
35 x 300mm	Order Code	3008392



► Grounding Channel Element

Grounding channel element instructions



Order Code 3082623

► Grounding Clamp

Grounding clamp instruction

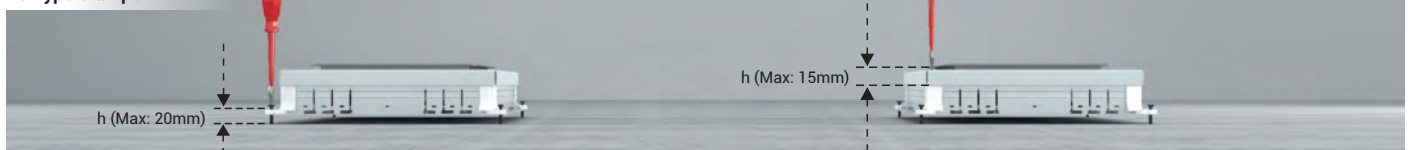


Order Code 3082624

Technical Parameters

Product	Height (mm)	25				35			
	Width (mm)	120	180	240	300	120	180	240	300
Impedance	Z(mΩ/m) (*)	0,449	0,379	0,330	0,260	0,409	0,378	0,281	0,197
Sheet Thickness	mm	0,8	0,8	0,8	0,8	0,8	0,8	0,8	0,8
Weight	kg/m	2,36	3,50	4,25	5,00	2,60	3,88	4,63	5,38

S Type Clamps



► Before Floor Height Adjustment (20mm)

S Type Clamps, with its corner piece and special design, provides adjustment options before and after the screed. The maximum adjustment height before screed is 20mm. The minimum screed height is 70mm

(*) The impedance (Z) at the additional points meets the standard-specified value of 5mΩ, and test certificates are available

► After Floor Height Adjustment (15mm)

S Type Clamps can be adjusted smoothly after the screed, in a range of 0-15mm for the height (h). Precise adjustment after the screed should be done using a 'spirit level'

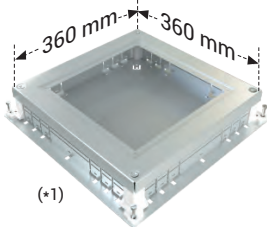
E-LINE DB-DKL

►►TASARIM ve SEÇİM

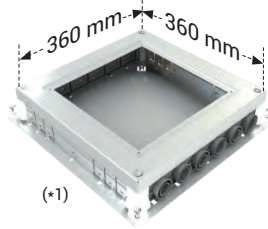
►S Type Under Floor Box Types And Order Codes



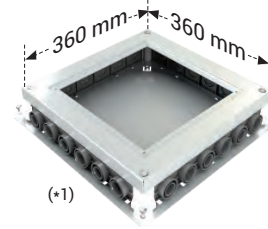
Output Connector (Single)	
DB-MX1/F7 S1	DB-MX2 S1 (*2)
Order Code	Order Code
3082311	3082312



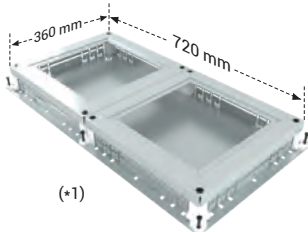
Output Terminal - Channel & Pipe Entry (Single)	
DB-MX1/F7 S1	DB-MX2 S1 (*2)
Order Code	Order Code
3122651	3122657



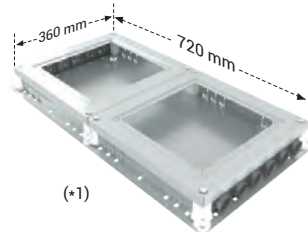
Output Terminal - Pipe Entry (Single)	
DB-MX1/F7 S1	DB-MX2 S1 (*2)
Order Code	Order Code
3122649	3122655



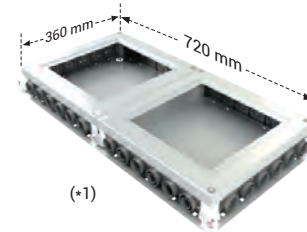
Output Terminal (Double)	
DB-MX1/F7 S2	DB-MX2 S2 (*2)
Order Code	Order Code
3082313	3082314



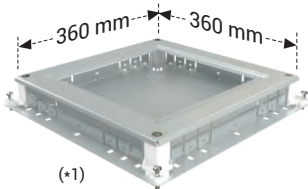
Output Terminal - Channel & Pipe Entry (Double)	
DB-MX1/F7 S2	DB-MX2 S2 (*2)
Order Code	Order Code
3122653	3122659



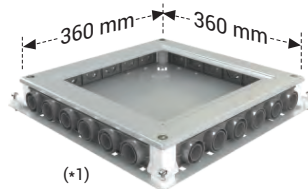
Output Terminal - Pipe Entry (Double)	
DB-MX1/F7 S2	DB-MX2 S2 (*2)
Order Code	Order Code
3122652	3122658



Output Terminal (Single)	
DB-DKF5 S1	Order Code
	3137296

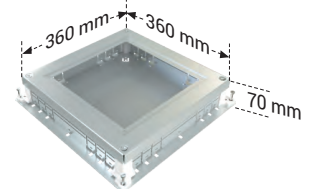


Output Terminal - Pipe Entry (Single)	
DB-DKF5 S1	Order Code
	3137297

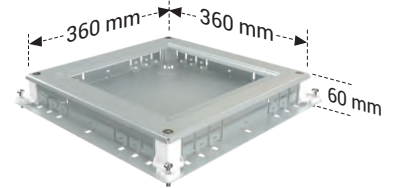


Clamp Dimensions

■ MX ve F7 Prize Boxes:

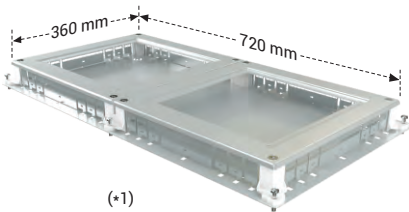


■ F5 Prize Box: (*)

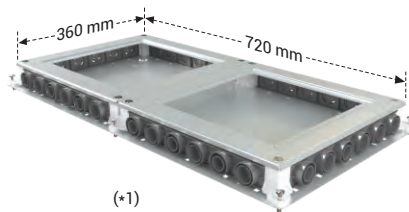


(*) For these types of clamps, the "h" height is 25mm. The appropriate underfloor cable with a 25mm height should be used for these clamps.

Output Terminal (Double)	
DB-DKF5 S2	Order Code
	3137298



Output Connector (Double)	
DB-DKF5 S2	Order Code
	3137299



All the clamps allow for channel entry from four directions, and the socket box can be installed in a four-way configuration. The channel entry separators made from galvanized sheet metal on all four sides of the clamps, with their modular design, allow for the use of underfloor cable channels in four different sizes. A height of 25mm underfloor cable channel should be used for DK-F5 socket boxes.

"S2 Type Double Output Terminal" in English. In cable-dense areas, one eye of the socket box should be used for connecting underfloor cable channels for a single socket box, and the other eye should be used for cable routing and pulling in the channel pathway.

(*1) For output terminals without a socket box inside, a cover plate should be ordered separately.

(*2) The visuals are provided for the MX-1 socket box, and the inside cavity is 252x252mm. For the MX-2 socket box, the inside cavity is 148x252mm.

Clamp Cover Plate		
	DB-MX1 BK	DB-MX2 BK
	DB-F7 BK	
	280x280mm	176x280mm
Order Code	3082317	3082318

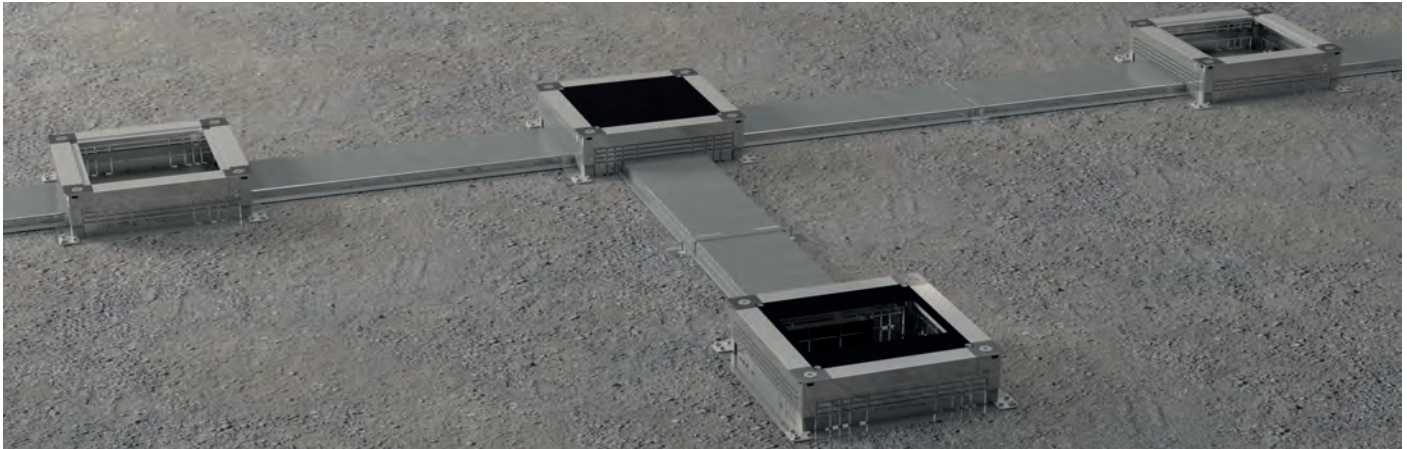
Grommet Special Clamp Cover Plate	
	DKY Grommet
	ø115mm
Order Code	3126734

Grommet Special Clamp Cover Plate	
	Width Plastic Grommet
	6 Modules
	ø146mm
Order Code	3126735

E-LINE DB-YA

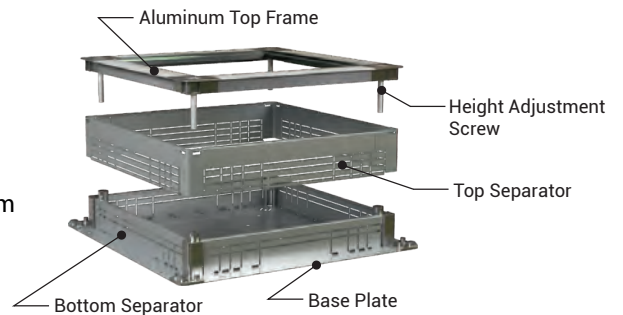
►► E-LINE DB/YA

► Height Adjustable Clamp Solutions



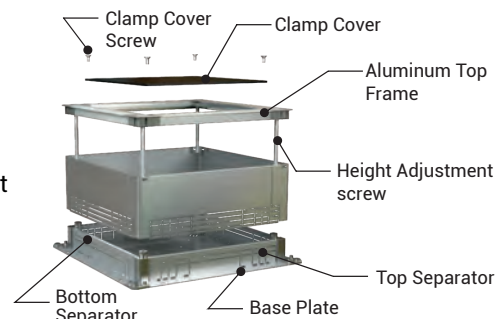
► Clamp (DB/YA-S1)

- It is used for mounting socket boxes and does not come with a cover.
- Height-adjustable "S" type output clamps provide height adjustment options for both before and after screeding with their special design screw for aluminum top frame corners and top separator
- DB/YA-S1A 7A screed underfloor output clamp that provides height adjustment between 0-125mm, with a minimum screed height of 70mm
- DB/YA-S1B A screed underfloor output clamp that provides height adjustment between 125-180mm, with a minimum screed height of 125mm.



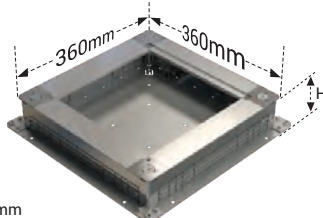
► Clamp (DB/YA-SK)

- It includes a hinged access window necessary for pulling electrical installation cables (both power and low-voltage)
- Height-adjustable "SK" type pulling clamps provide the ability to adjust the height before and after screeding with their special design screws for aluminum top frame corners and top separators
- DB/YA-SKA A screed underfloor pulling clamp that offers height adjustment between 70-125mm, with a minimum screed height of 70mm
- DB/YA-SKB A screed underfloor pulling clamp that provides height adjustment between 125-180mm.
- A screed underfloor pulling clamp that offers height adjustment between 125-180, with a minimum screed height of 125mm



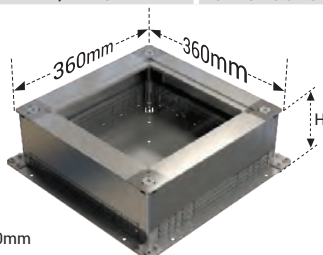
► DB/YA Clamp Types and Order Codes

Adjustable (Underfloor) Output Clamp 70-125		
DB-MX1/F7-S1A	Order Code	3159788



H: 70-125mm

Adjustable Height (Under Screed) Floor Outlet 125-180		
DB-MX1/F7-S1B	Order Code	3159789

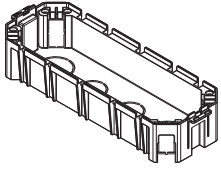


H: 125-180mm

► Why Should We Use Adjustable Height Desk?

- 1- To prevent the cracking of the mortar, it is necessary for the slab and channel undersides to sit perfectly on the concrete floor. Therefore, the height adjustment of the slab should be done from the top, not from below. In this case, E-LINE DB/YA series pedestals offer excellent solutions.
- 2- For spaces where the screed height is variable and substantial, it provides two different maximum height adjustment options (125mm and 180mm)
- 3- It features a precision mechanism that allows for gradual and millimetric height adjustments

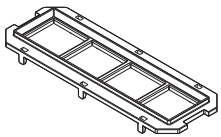




(0,085 kg/pcs)

Outlet Casing (Vertical)

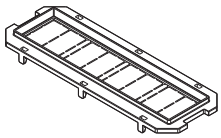
Description	Order Code
Outlet Casing (Vertical)	3135639



(0,030 kg/pcs)

Outlet Plate (3)

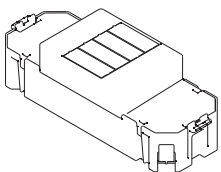
Description	Order Code
Outlet Plate (3) 8 Modules	1020401



(0,028 kg/pcs)

Outlet Plate (4)

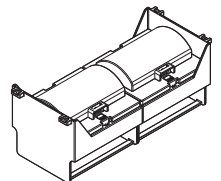
Description	Order Code
Outlet Plate (4)	1020403



(0,192 kg/pcs)

MCB / RCD / RCBO CASING (1)

Description	Order Code
MCB / RCD / RCBO Mounting Box / 4 Module-Open (**)	3181231



(0,220 kg/pcs)

MCB / RCD / RCBO CASING (2)

Description	Order Code
MCB / RCD / RCBO Mounting Box / 8 Module-Covered (**)	3275397

■ The outlet casings and plates on this page are provided as a complete package with the outlet boxes you have ordered, excluding (**) marked products. There is no need to order them separately. However, you should place an order in case of loss, breakage, or functional changes.

■ Outlets are not included with the product and should be ordered separately according to your needs

■ (*) Marked group outlets can only be used with the appropriate outlet plates. Please confirm before placing an order



1

Power Outlet (1)

Description	Order Code
Power Outlet (1)-(230 V/16 A)-Mutlusan	2168604



2

Power Outlet (2)

Description	Order Code
Power Outlet (2)-(230 V/16 A) (*)	2178809



3

Power Outlet (3)

Description	Order Code
Power Outlet (3)-(230 V/16 A) (*)	2178810



1

UPS Outlet (1)

Description	Order Code
UPS Outlet (1)-(230 V/16 A)	2168609



2

UPS Outlet (2)

Description	Order Code
UPS Outlet (2)-(230 V/16 A) (*)	2178811

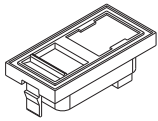


3

UPS Outlet (3)

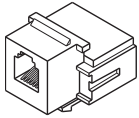
Description	Order Code
UPS Outlet (3)-(230 V/16 A) (*)	2178813

- Product images are schematic and subject to change.
- Outlets are not included with the product and should be ordered separately according to your needs
- (*) Marked group outlets can only be used with the appropriate outlet plates. Please confirm before placing an order



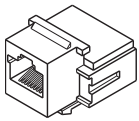
Phone / Data Cover

Description	Order Code
Phone / Data Cover with Transparent Lid and Label Space, White	1004186
Phone / Data Cover with Transparent Lid and Label Space, Black	1053855



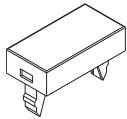
Phone Socket

Description	Order Code
White Phone Socket	1004337
White Phone Socket	1053870



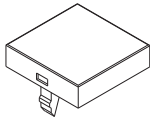
Data Socket

Description	Order Code
White Data Socket	1004334
Black Data Socket	1053869



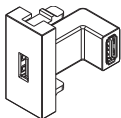
Single Cover Plate

Description	Order Code
Single Cover Plate (1 Modules)	1004246



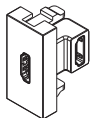
Double Cover Plate

Description	Order Code
Double Cover Plate (2 Modules)	1002612



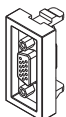
USB Adapter

Description	Order Code
USB 3.0 Adapter, 22.5x45mm, Female-Female, 90° Angled, White	1016318
USB 3.0 Adapter, 22.5x45mm, Female-Female, 90° Angled, Black	1053875



HDMI Adapter

Description	Order Code
HDMI Adapter, 22.5x45mm, Female-Female, 90° Angled, White	1016317
HDMI Adapter, 22.5x45mm, Female-Female, 90° Angled, Black	1053871



VGA Adapter

Description	Order Code
VGA Adapter, 22.5x45mm, Female-Female, White	1016319
VGA Adapter, 22.5x45mm, Female-Female, Black	1053876



USB Charging Unit

Description	Order Code
Dual USB Charger Adapter, 2 Ports, Input 100-240V AC, 50-60Hz, Output 5V DC - 2100mA	1016316

GENERAL PRODUCT FEATURES OF UNDERFLOOR CABLE DUCTS, CONDUITS, AND SOCKET BOXES

1- SCOPE:

This section is used in electrical installation designs; This section covers the details related to the production of various parts, including underfloor cable ducts, conduits, elbows, connecting components, underfloor junction boxes, bases, socket boxes, casings, and more, used in electrical installation designs.

2- STANDARDS:

The underfloor cable ducts and conduits within the scope of this specification are produced, manufactured, assembled, and tested in accordance with the latest editions of the following standards.

STANDARD NUMBER	STANDARD NAME
TS EN 50085-2-2 EN 50085-2-2	Equipped Cable Duct Systems and Cable Duct Systems - Part 2-2 for Electrical Installations. It specifies requirements and guidelines for these cable channel systems in various installation scenarios

3- TECHNICAL SPECIFICATIONS:

3.1-Underfloor Cable Duct:

The underfloor cable duct system is designed to be used in areas where the floor and covering are at a sufficient height. It consists of three units: underfloor cable duct, floor conduit, and outlet (socket) box. These units are manufactured to be completely embedded within the floor. The underfloor cable duct is used for energy, data, and other connection lines. It comes in two different heights: 25mm and 35mm, and five different widths: 120mm, 180mm, 215mm, 240mm, and 300mm. The 120mm width channels have two compartments, while the others have three compartments. The channels consist of two parts: a lower body and an upper cover. They are assembled using a "roll-form" machine, without any welding or spot welding due to their corrosive properties. These cable ducts are manufactured in standard lengths of 2000mm, and special channel joint elements are used for channel connections. Special corner turn elements are used when the channels need to turn upward or downward, and special termination elements are available at the channel endpoints. The underfloor cable ducts use level adjustable legs for different height settings. These cable ducts have been tested and certified by an accredited laboratory in accordance with the EN 50085-2-2 standard. They meet the requirements for electrical continuity and can be used for equipotential bonding and protective grounding, as specified in the standard. The system includes grounding elements for electrical continuity, as required by the standard. This information provides a detailed overview of the underfloor cable duct system's technical characteristics and its compliance with relevant standards.

3.2-Underfloor Connection and Outlet Conduit:

Underfloor Connection and Outlet Conduit Underfloor connection conduit boxes and outlet conduit boxes are produced to meet various needs, such as changing the direction of the underfloor cable duct or mounting network (power), UPS socket, data, and telephone socket outlets. These boxes are manufactured from 2mm thick pre-galvanized steel with a special form. They feature perforated cover plates on all four sides, designed to adapt to various sizes of underfloor cable duct installations. These cover plates also prevent the entry of foreign materials like mortar or plaster. Heavy-duty conduit boxes are available for areas with heavy loads, constructed with aluminum bodies and special corner blocks. The top cover plate of heavy-duty models is 4mm thick. Transparent plastic protective covers are included in underfloor conduit boxes to prevent the entry of mortar and foreign materials during floor construction. After installation and floor work are completed, these protective covers can be cut and removed, and the box can be sealed with an outlet cover plate. Underfloor conduit boxes have adjustable screws on their bottom bases and corner elements, allowing for height adjustments before and after floor application. These screws work in conjunction with standard nuts embedded in the corner pieces. All metal components used in underfloor conduit boxes are manufactured from galvanized steel. The conduit boxes have been tested and certified by an accredited laboratory in compliance with the EN 50085-2-2 standard. This information provides a comprehensive overview of the technical features and construction of underfloor connection and outlet conduit boxes, as well as their compliance with the relevant standard.

3.3- Outlet (Socket) Boxes:

In underfloor cable duct systems, outlet (socket) boxes used for power (grid + UPS), data, and telephone outlets, which are placed inside the underfloor outlet box, are designed to meet different capacity requirements and can accommodate a maximum of 24 module sockets. The direction of the outlet (socket) box cover can be changed by 180°, and the cover is reinforced with a suitable thickness of sheet metal to increase its strength. The bodies and plastic parts used in the outlet (socket) boxes for underfloor and/or raised floor applications are made from PC, PC/ABS, and PA6 "halogen free" plastic raw materials that meet at least the "V2" flame resistance class according to the UL94 standard and have passed the "glow wire" test conditions of at least 650°C according to the IEC 60965 standard. Underfloor outlet (socket) boxes have been tested and certified by an accredited laboratory under the EN 50085-2-2 standard.

TEST CERTIFICATE

Issued to: EAE Elektrik Asansör Endustrisi Insaat San. ve Tic. A.S.
 Akçaburgaz Mahallesi 3114
 Sokak No: 10
 34510 Esenyurt / İstanbul
 Turkey

For the product: Cable trunking and cable ducting systems intended for mounting underfloor, flushfloor or onfloor.

Trade name: EAE

Type/Model: E-LINE DK...

Ratings: See for the product information the annex of this DEKRA Test Certificate.

Manufactured by: EAE Elektrik Asansör Endustrisi Insaat San. ve Tic. A.S.
 Akçaburgaz Mahallesi 3114
 Sokak No: 10
 34510 Esenyurt / İstanbul
 Turkey

Requirements: EN 50085-1:2005/A1:1998
 EN 50085-2-2:2008
 BS EN 50085-1:2005/A1:1998
 BS EN 50085-2-2:2008

Remarks: The products meet the requirements.

 This DEKRA Test Certificate is based on and replaced certificate no. 2198073.01, dated 9 March 2017.

This Test Certificate is granted on account of an examination by DEKRA, the results of which are laid down in a confidential file no. 225928300.

The examination has been carried out on one single specimen of the product, submitted by the manufacturer. The Attestation does not include an assessment of the manufacturer's production. Conformity of his production with the specimen tested by DEKRA is not the responsibility of DEKRA.

Arnhem, 2 September 2021

Number: 2259283.01-DTC

DEKRA Certification B.V.



H.R.M. Barends
Certification Manager

© Integral publication of this certificate and adjoining reports is allowed

DEKRA Certification B.V. Meander 1051, 6825 MJ Arnhem P.O. Box 5185, 6802 ED Arnhem, The Netherlands
 T +31 88 96 83000 F +31 88 96 83100 www.dekra-certification.com Company registration 09085396

ЕВРАЗИЙСКИЙ ЭКОНОМИЧЕСКИЙ СОЮЗ



СЕРТИФИКАТ СООТВЕТСТВИЯ

№ ЕАЭС RU C-TR.НЕ24.В.01313/23

Серия **RU** № **0458203****ОРГАН ПО СЕРТИФИКАЦИИ** Орган по сертификации продукции Общества с ограниченной ответственностью «ЦЕНТР ИСПЫТАНИЙ И СЕРТИФИКАЦИИ»

Место нахождения (адрес юридического лица): 123242, Россия, город Москва, Пресненская набережная, дом 10, строение 2, этаж 11, помещение 97, комната 2, офис 119

Адрес места осуществления деятельности: 123290, Россия, город Москва, район Пресненский, улица 2-я Магистральная, дом 3, строение 1, помещения (комнаты/офисы) № 11, 14а, 14б

Аттестат аккредитации № RA.RU.11HE24 срок действия с 16.08.2021

Телефон: +7 495 1366883 Адрес электронной почты: os.cent.r.certifikacii@gmail.com

ЗАЯВИТЕЛЬ ОБЩЕСТВО С ОГРАНИЧЕННОЙ ОТВЕТСТВЕННОСТЬЮ "EAE"

Место нахождения (адрес юридического лица) и адрес места осуществления деятельности: 601603, Россия, Владимирская область, Александровский район, деревня Марино, шоссе Каринское, дом 2

Основной государственный регистрационный номер 1123339001697.

Телефон: +74924433304 Адрес электронной почты: inforus@eacgroup.com

ИЗГОТОВИТЕЛЬ "EAE ELEKTRİK ASANSOR ENDUSTRI İNSAAT SANAYİ VE TİCARET AŞ"

Место нахождения (адрес юридического лица) и адрес места осуществления деятельности по изготовлению продукции: Турция, AKSABURGAZ MH. 3114 SK. N. 10 34522 İSTANBUL /ESENİYURT

ПРОДУКЦИЯ Низковольтные комплекты устройства напольные: соединительные кабельные коробки, серии: E-LINE DK, EASYBOX, DKM, DKM-S, DKM-A, DKN, DKN-S, DKN-A, DKC, DKS, DKH, DKZ, DKZ-V, DKA, DK, DKY, GROMMET, E-LINE N-DK, DK-MX, DK-F, DK-CX, DX-CX mini, DKM-P, DK-GRM, DK-GRM IP66, DB-DKL, E-LINE DB-YA, DB-MX, DKD, DKE, DKF, DKA-F, DKCF, DKN-2, DKM-2, D-LINE, DKK, DKX, DB, DB-YA, DKA-F, DKA-FB, DKV, DKF-5, DK-F5/F7, DKF-7, DKF7-MX, DKP, DKM/N-A1K, DKM/N-A2K, DKM-A1, DKM-A2, DKM-DL, DKM-S1, DKM-S2, DKM-SK, DK-MX1, DK-MX2, DKN-A1, DKN-A2, DKN-S1, DKN-S2, DKN-SK, торговая марка "EAE".
Серийный выпуск

КОД ТН ВЭД ЕАЭС 8537

СООТВЕТСТВУЕТ ТРЕБОВАНИЯМ

Технического регламента Таможенного союза ТР ТС 004/2011 "О безопасности низковольтного оборудования"

СЕРТИФИКАТ СООТВЕТСТВИЯ ВЫДАН НА ОСНОВАНИИ Протокола испытаний № 31X/H-28.06/23 от

28.06.2023 года, выданного Испытательным центром "Certification Group" ИЛ "HARD GROUP" Общества с ограниченной ответственностью "Трансконсалтинг" (уникальный номер записи об аккредитации в реестре аккредитованных лиц RA.RU.21ЩИ01)

Акта анализа состояния производства №С-20230510-006 от 10.05.2023 года, выданного ООО «ЦИИС» (уникальный номер записи об аккредитации в реестре аккредитованных лиц RA.RU.11HE24) эксперт, подписавший акт анализа состояния производства - Кузьмина Роза Владимировна

Копия эксплуатационных документов, Перечень стандартов, указанных в ТР ТС 004/2011 "О безопасности низковольтного оборудования", требованиям которых должна соответствовать продукция.

Схема сертификации: 1с

ДОПОЛНИТЕЛЬНАЯ ИНФОРМАЦИЯ ГОСТ РЭС 61439-1-2013 "Устройства комплексные низковольтные распределения и управления. Часть 1

Общие требования". Условия хранения изделий в части воздействия климатических факторов внешней среды по ГОСТ 15150-69. Назначенный срок годности и срок хранения указаны в прилагаемой к продукции эксплуатационной документации. Дата изготовления отобранных образцов (проб) продукции, прошедших исследования (испытания) и измерения указана в акте отбора: 05.2023. Договор уполномоченного лица № 21-1/BUS от 20.01.2021 года.

СРОК ДЕЙСТВИЯ С 28.06.2023 ПО 27.06.2024
ВКЛЮЧИТЕЛЬНОРуководитель (уполномоченное
лицо) органа по сертификацииЭксперт (эксперт-аудитор)
(эксперты (эксперты-аудиторы))
(подпись)

(подпись)

М.П.

Тарасенко Игорь Сергеевич
(Ф.И.О.)Кузьмина Роза Владимировна
(Ф.И.О.)

CE DECLARATION OF CONFORMITY

Product Group E-Line NDK Modular and Compact Solutions for Under floor and Raised Flooring

Manufacturer EAE Elektrik Asansor End. Insaat San. ve Tic. A.S.
Akcaburgaz Mahallesi, 3114. Sokak,
No:10 34522 Esenyurt-Istanbul

This declaration is a formal acknowledgment of the manufacturer's responsibility for ensuring their products are in compliance with the applicable European laws and standards.

Standard:

EN 50085-1 / EN 50085-2-2

Equipped Cable Duct Systems,Cable Channel Systems,Part 1: General Specifications

CE - Regulation:

2014/35/EU "Low Voltage Directive"

Technical Document Preparation Authorized Person

EAE Elektrik Asansor End. Insaat San. ve Tic. A.S.
Akcaburgaz Mahallesi, 3114. Sokak, No:10 34522 Esenyurt-Istanbul

Emre GURLEYEN

Date

08.03.2023

Document Signing Authority

Elif Gamze KAYA OK
Deputy General Manager



EAE Elektrik A.S.
Head Office
Akcaburgaz Mahallesi,
3114. Sokak, No:10 34522
Esenyurt - Istanbul - TURKEY
Tel: +90 (212) 866 20 00
Fax: +90 (212) 886 24 20

EAE DL 3 Factory
Busbar
Gebze IV Istanbul Makine ve Sanayicileri
Organize Bolgesi, 6. Cadde,
No: 6 41455 Demirciler Koyu,
Dilovası - Kocaeli - TURKEY
Tel: +90 (262) 999 05 55
Fax: +90 (262) 502 05 69

Please visit our website for the updated version of our catalogues.
www.eaelectric.com



Catalogue 33-EN. / Rev. 04 0 pcs 02/04/2024
S.S.

EAE has full right to make any revisions or changes on this catalogue without any prior notice.

