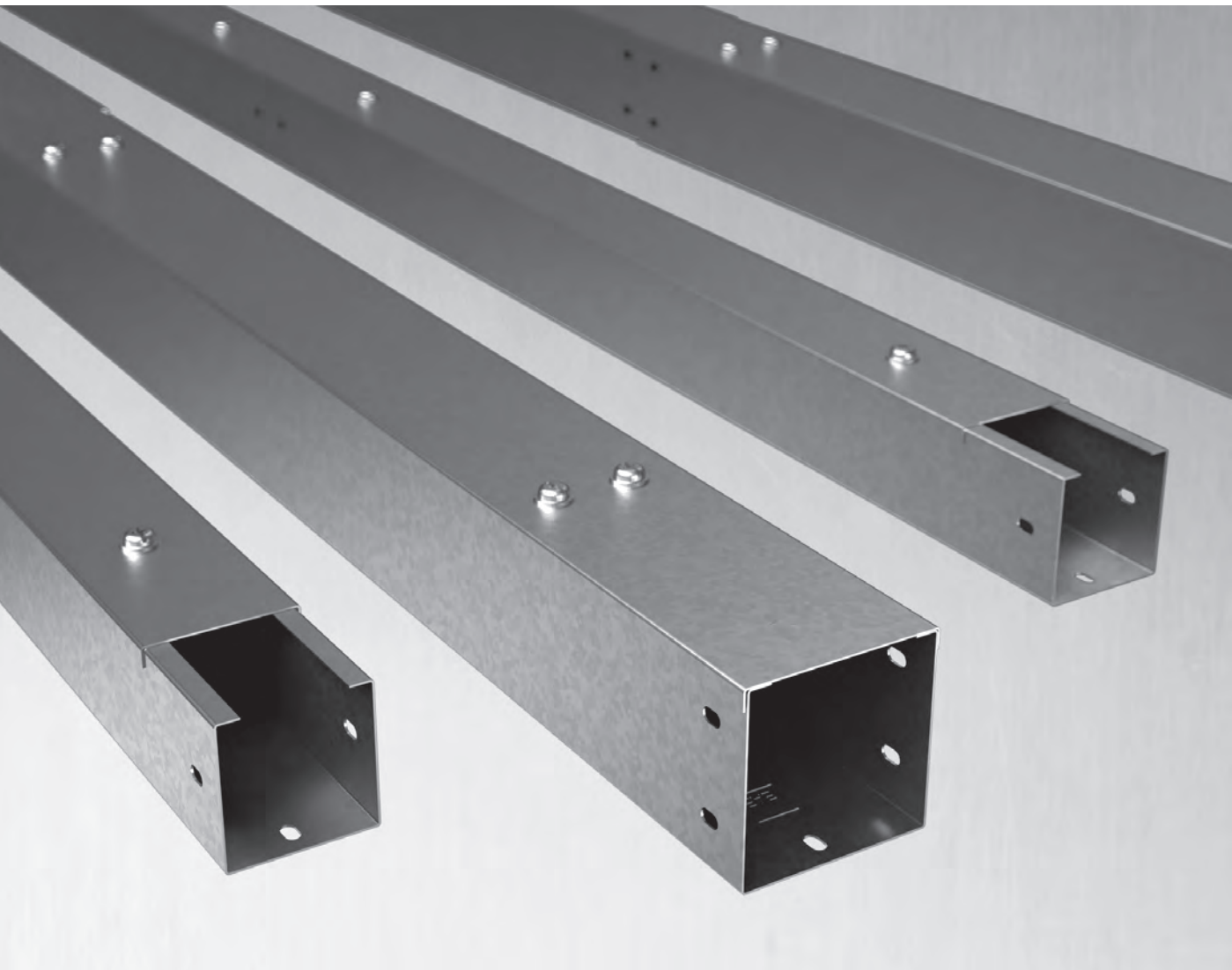




E-LINE TKS

TRUNKING CABLE TRAYS



TKS

E-LINE TKS

Please visit our website for the updated version of our catalogues.
www.eaeelectric.com



CONTENTS

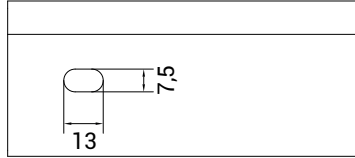
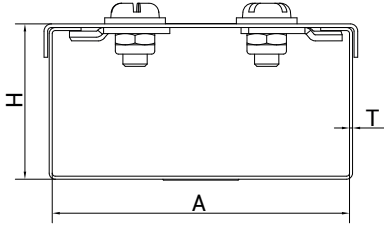
▶▶ E-LINE TKS

TKS Trunking Cable Trays.....	2
TKS Bend Modules.....	3-8
TKS Socket Plate, TKS Change Face Right.....	9
TKS Change Face Left, TKS Joint Fitting.....	10
TKS Blind End.....	11
TKS Support Fittings.....	12
TKS Trunking Cable Trays.....	13

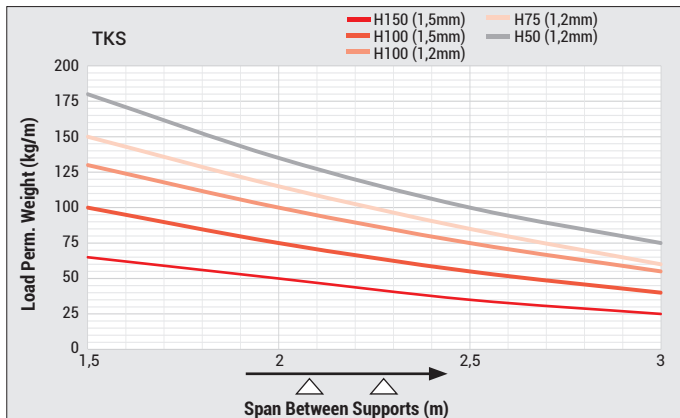
E-LINETKS

TKS TRUNKING STRAIGHT LENGTH

Pre-Galvanized (TS EN 10346 - TS EN 10143), Hot Dip Galvanized (TS EN ISO 1461),
TKS Trunking Cable Tray (TS EN ISO 50085)



Description	H (mm)	A (mm)	T=1		T=1,2		T=1,5		T=1		T=1,2		T=1,5	
			Weight (kg/m)	PG Code	Weight (kg/m)	PG Code	Weight (kg/m)	PG Code	Weight (kg/m)	HDG Code	Weight (kg/m)	HDG Code	Weight (kg/m)	HDG Code
050 TKS 050	50	50	1,307	3293375	1,568	3293445	1,961	3293454	1,438	3322704	1,725	3322724	2,157	3322744
050 TKS 075	50	75	1,504	3322671	1,805	3001967	2,256	3322693	1,654	3322705	1,985	3322725	2,482	3322745
050 TKS 100	50	100	1,700	3293377	2,040	3293447	2,550	3293456	1,870	3322706	2,244	3322726	2,805	3322746
050 TKS 150	50	150	2,092	3299226	2,510	3299231	3,138	3299236	2,301	3322707	2,761	3322727	3,452	3322747
050 TKS 200	50	200	2,485	3299227	2,982	3299232	3,728	3299237	2,734	3322708	3,280	3322728	4,100	3322748
050 TKS 300	50	300	3,270	3299229	3,924	3299234	4,905	3299245	3,597	3322709	4,316	3322729	5,396	3322749
075 TKS 075	75	75	1,896	3322673	2,275	3322683	2,844	3322695	2,086	3322710	2,503	3322730	3,128	3322750
075 TKS 100	75	100	2,090	3293379	2,508	3293449	3,135	3293458	2,299	3322711	2,759	3322731	3,449	3322751
075 TKS 150	75	150	2,485	3322674	2,982	3322684	3,727	3322696	2,734	3322712	3,280	3322732	4,100	3322752
075 TKS 200	75	200	2,877	3322675	3,452	3322685	4,315	3322697	3,165	3322713	3,798	3322733	4,747	3322753
075 TKS 300	75	300	3,662	3322676	4,394	3322686	5,493	3322698	4,028	3322714	4,834	3322734	6,042	3322754
100 TKS 100	100	100	2,482	3293380	2,978	3293450	3,723	3293459	2,730	3322715	3,276	3322735	4,095	3322755
100 TKS 150	100	150	2,875	3293381	3,450	3293451	4,313	3293460	3,163	3322716	3,795	3322736	4,744	3322756
100 TKS 200	100	200	3,267	3322677	3,920	3322687	4,901	3322699	3,594	3322717	4,312	3322737	5,391	3322757
100 TKS 300	100	300	4,052	3299240	4,862	3322688	6,078	3322700	4,457	3322718	5,349	3322738	6,686	3322758
150 TKS 150	150	150	3,657	3293384	4,388	3293453	5,486	3293463	4,023	3322719	4,827	3322739	6,034	3322759
150 TKS 200	150	200	4,050	3322678	4,860	3322689	6,075	3322701	4,455	3322720	5,346	3322740	6,683	3322760
150 TKS 300	150	300	4,835	3322679	5,802	3322690	7,253	3293464	5,319	3322721	6,382	3322741	7,978	3322761
200 TKS 200	200	200	4,835	3322680	5,802	3322691	7,253	3322702	5,319	3322722	6,382	3322742	7,978	3322762
200 TKS 300	200	300	5,620	3322681	6,744	3322692	8,430	3322703	6,182	3322723	7,418	3322743	9,273	3322763

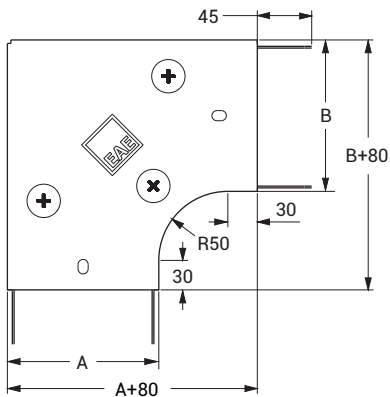


• There may be +/- differences in carriage values depending on steel plate tolerance and steel plate hardness value. Please immediately contact your customer representative for detailed information.

- Please indicate order code in your orders.
- Please contact us for special dimensions.
- Material weights may vary by ± 10%

- In case of requested product can be produced as stainless steel.
- All dimensions are given as in mm

- PG= Pre-Galvanized
- HDG= Hot Dip Galvanized

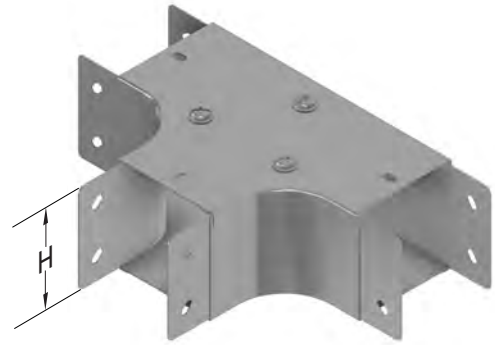
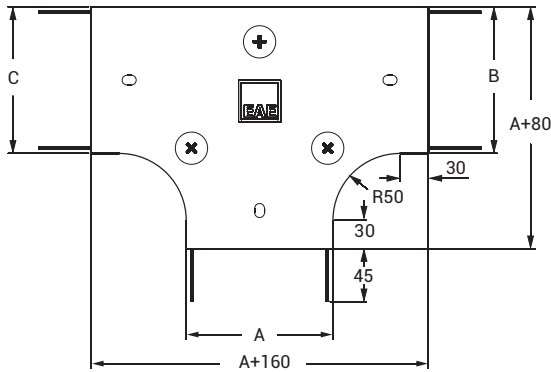


Description	H (mm)	AB (mm)	T=1		T=1,2		T=1,5		T=1		T=1,2		T=1,5	
			Weight (kg/pcs)	PG Code	Weight (kg/pcs)	PG Code	Weight (kg/pcs)	PG Code	Weight (kg/pcs)	HDG Code	Weight (kg/pcs)	HDG Code	Weight (kg/pcs)	HDG Code
050 TKS 050 YD90°	50	50	0,523	3322788	0,627	3302450	0,761	3302458	0,575	3322848	0,690	3322808	0,837	3322828
050 TKS 075 YD90°	50	75	0,665	3322789	0,798	3302451	0,801	3302459	0,732	3322849	0,878	3322809	0,881	3322829
050 TKS 100 YD90°	50	100	0,850	3322790	1,020	3322764	1,253	3322776	0,935	3322850	1,122	3322810	1,378	3322830
050 TKS 150 YD90°	50	150	1,063	3322791	1,276	3322765	1,573	3322777	1,169	3322851	1,404	3322811	1,730	3322831
050 TKS 200 YD90°	50	200	1,692	3322792	2,030	3322766	2,515	3322778	1,861	3322852	2,233	3322812	2,767	3322832
050 TKS 300 YD90°	50	300	2,647	3322793	3,177	3322767	3,949	3322779	2,912	3322853	3,495	3322813	4,344	3322833
075 TKS 075 YD90°	75	75	0,787	3322794	0,945	3302452	1,155	3302460	0,866	3322854	1,040	3322814	1,271	3322834
075 TKS 100 YD90°	75	100	0,982	3322795	1,179	3302453	1,410	3302461	1,080	3322855	1,297	3322815	1,551	3322835
075 TKS 150 YD90°	75	150	1,215	3322796	1,458	3322768	1,800	3322780	1,337	3322856	1,604	3322816	1,980	3322836
075 TKS 200 YD90°	75	200	1,863	3322797	2,236	3322769	2,773	3322781	2,050	3322857	2,460	3322817	3,050	3322837
075 TKS 300 YD90°	75	300	2,859	3322798	3,431	3322770	4,266	3322782	3,145	3322858	3,774	3322818	4,693	3322838
100 TKS 100 YD90°	100	100	1,111	3322799	1,334	3302454	1,635	3302462	1,222	3322859	1,467	3322819	1,799	3322839
100 TKS 150 YD90°	100	150	1,533	3322800	1,839	3302455	2,265	3302463	1,686	3322860	2,023	3322820	2,492	3322840
100 TKS 200 YD90°	100	200	2,033	3322801	2,439	3302456	3,013	3302464	2,236	3322861	2,683	3322821	3,314	3322841
100 TKS 300 YD90°	100	300	3,052	3322802	3,680	3322771	4,578	3322783	3,357	3322862	4,048	3322822	5,035	3322842
150 TKS 150 YD90°	150	150	1,834	3322803	2,201	3302457	2,717	3302465	2,017	3322863	2,421	3322823	2,989	3322843
150 TKS 200 YD90°	150	200	2,373	3322804	2,847	3322772	3,536	3322784	2,610	3322864	3,132	3322824	3,890	3322844
150 TKS 300 YD90°	150	300	3,486	3322805	4,183	3322773	5,206	3322785	3,834	3322865	4,601	3322825	5,727	3322845
200 TKS 200 YD90°	200	200	2,734	3322806	3,281	3322774	4,079	3322786	3,008	3322866	3,609	3322826	4,487	3322846
200 TKS 300 YD90°	200	300	3,926	3322807	4,711	3322775	5,866	3322787	4,318	3322867	5,182	3322827	6,453	3322847

- Please indicate order code in your orders.
- Please contact us for special dimensions.
- Material weights may vary by ± 10%

- In case of requested product can be produced as stainless steel.
- All dimensions are given as in mm

- PG= Pre-Galvanized
- HDG= Hot Dip Galvanized

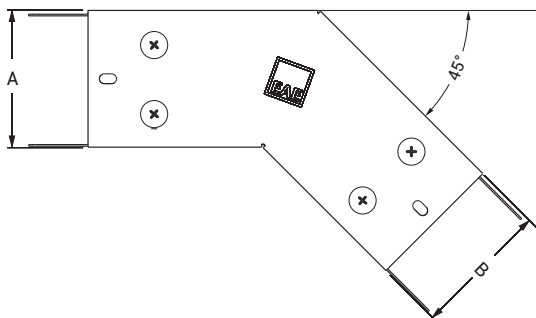


Description	H (mm)	ABC (mm)	T=1		T=1,2		T=1,5		T=1		T=1,2		T=1,5	
			Weight (kg/pcs)	PG Code	Weight (kg/pcs)	PG Code	Weight (kg/pcs)	PG Code	Weight (kg/pcs)	HDG Code	Weight (kg/pcs)	HDG Code	Weight (kg/pcs)	HDG Code
050 TKS 050 YT	50	50	0,706	3322914	0,847	3322874	1,059	3322894	0,776	3322974	0,932	3322934	1,165	3322954
050 TKS 075 YT	50	75	0,863	3322915	1,035	3322875	1,294	3322895	0,949	3322975	1,139	3322935	1,423	3322955
050 TKS 100 YT	50	100	1,025	3322916	1,230	3322876	1,538	3322896	1,128	3322976	1,353	3322936	1,691	3322956
050 TKS 150 YT	50	150	1,436	3322917	1,723	3322877	2,154	3322897	1,579	3322977	1,895	3322937	2,369	3322957
050 TKS 200 YT	50	200	1,926	3322918	2,311	3322878	2,889	3322898	2,118	3322978	2,542	3322938	3,178	3322958
050 TKS 300 YT	50	300	3,142	3322919	3,770	3322879	4,713	3322899	3,456	3322979	4,147	3322939	5,184	3322959
075 TKS 075 YT	75	75	1,016	3322920	1,219	3322880	1,524	3322900	1,117	3322980	1,341	3322940	1,676	3322960
075 TKS 100 YT	75	100	1,198	3322921	1,437	3322881	1,796	3322901	1,317	3322981	1,581	3322941	1,976	3322961
075 TKS 150 YT	75	150	1,607	3322922	1,928	3322882	2,410	3322902	1,767	3322982	2,121	3322942	2,651	3322962
075 TKS 200 YT	75	200	2,110	3322923	2,532	3322883	3,165	3322903	2,321	3322983	2,785	3322943	3,482	3322963
075 TKS 300 YT	75	300	3,352	3322924	4,022	3322884	5,028	3322904	3,687	3322984	4,424	3322944	5,530	3322964
100 TKS 100 YT	100	100	1,351	3322925	1,621	3322885	2,026	3322905	1,486	3322985	1,783	3322945	2,229	3322965
100 TKS 150 YT	100	150	1,782	3322926	2,138	3322886	2,673	3322906	1,960	3322986	2,352	3322946	2,940	3322966
100 TKS 200 YT	100	200	2,293	3322927	2,751	3322887	3,439	3322907	2,522	3322987	3,026	3322947	3,783	3322967
100 TKS 300 YT	100	300	3,532	3322928	4,238	3322888	5,298	3322908	3,885	3322988	4,662	3322948	5,827	3322968
150 TKS 150 YT	150	150	2,113	3322929	2,536	3322889	3,170	3322909	2,325	3322989	2,790	3322949	3,487	3322969
150 TKS 200 YT	150	200	2,627	3322930	3,152	3322890	3,940	3322910	2,889	3322990	3,467	3322950	4,334	3322970
150 TKS 300 YT	150	300	3,922	3322931	4,706	3322891	5,883	3322911	4,314	3322991	5,177	3322951	6,471	3322971
200 TKS 200 YT	200	200	3,019	3322932	3,623	3322892	4,529	3322912	3,321	3322992	3,985	3322952	4,982	3322972
200 TKS 300 YT	200	300	4,353	3322933	5,223	3322893	6,529	3322913	4,788	3322993	5,745	3322953	7,182	3322973

- Please indicate order code in your orders.
- Please contact us for special dimensions.
- Material weights may vary by ± 10%

- In case of requested product can be produced as stainless steel.
- All dimensions are given as in mm

- PG= Pre-Galvanized
- HDG= Hot Dip Galvanized

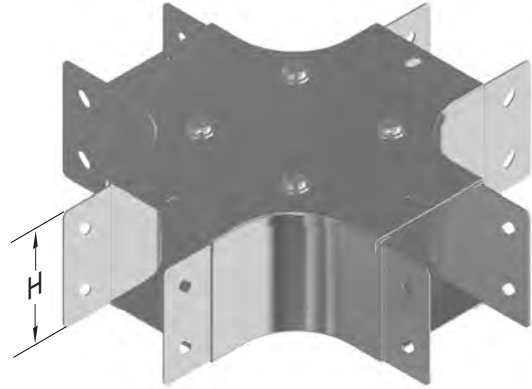
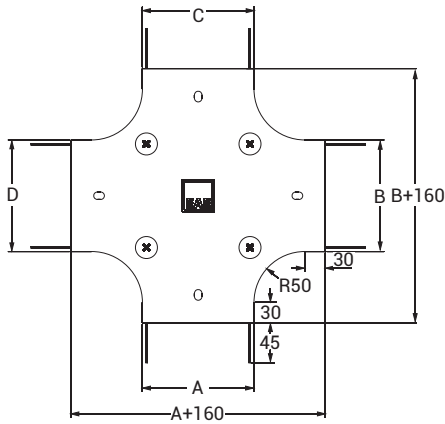


Description	H (mm)	AB (mm)	T=1		T=1,2		T=1,5		T=1		T=1,2		T=1,5	
			Weight (kg/pcs)	PG Code	Weight (kg/pcs)	PG Code	Weight (kg/pcs)	PG Code	Weight (kg/pcs)	HDG Code	Weight (kg/pcs)	HDG Code	Weight (kg/pcs)	HDG Code
050 TKS 050 YD45°	50	50	0,702	3323018	0,842	3302482	1,053	3302490	0,772	3323078	0,926	3323038	1,158	3323058
050 TKS 075 YD45°	50	75	0,837	3323019	1,004	3302483	1,255	3302491	0,920	3323079	1,104	3323039	1,381	3323059
050 TKS 100 YD45°	50	100	1,036	3323020	1,243	3322994	1,554	3323006	1,139	3323080	1,367	3323040	1,709	3323060
050 TKS 150 YD45°	50	150	1,343	3323021	1,612	3322995	2,015	3323007	1,478	3323081	1,773	3323041	2,217	3323061
050 TKS 200 YD45°	50	200	1,705	3323022	2,046	3322996	2,558	3323008	1,876	3323082	2,251	3323042	2,813	3323062
050 TKS 300 YD45°	50	300	2,494	3323023	2,993	3322997	3,741	3323009	2,744	3323083	3,292	3323043	4,115	3323063
075 TKS 075 YD45°	75	75	0,994	3323024	1,193	3302484	1,491	3302492	1,094	3323084	1,312	3323044	1,640	3323064
075 TKS 100 YD45°	75	100	1,193	3323025	1,432	3302485	1,790	3302493	1,313	3323085	1,575	3323045	1,969	3323065
075 TKS 150 YD45°	75	150	1,508	3323026	1,810	3322998	2,263	3323010	1,659	3323086	1,991	3323046	2,489	3323066
075 TKS 200 YD45°	75	200	1,883	3323027	2,259	3322999	2,824	3323011	2,071	3323087	2,485	3323047	3,106	3323067
075 TKS 300 YD45°	75	300	2,684	3323028	3,221	3323000	4,026	3323012	2,953	3323088	3,543	3323048	4,429	3323068
100 TKS 100 YD45°	100	100	1,352	3323029	1,622	3302486	2,028	3302494	1,487	3323089	1,784	3323049	2,230	3323069
100 TKS 150 YD45°	100	150	1,668	3323030	2,001	3302487	2,501	3302495	1,834	3323090	2,201	3323050	2,751	3323070
100 TKS 200 YD45°	100	200	1,958	3323031	2,349	3302488	2,936	3302496	2,153	3323091	2,584	3323051	3,230	3323071
100 TKS 300 YD45°	100	300	2,871	3323032	3,445	3323001	4,306	3323013	3,158	3323092	3,790	3323052	4,737	3323072
150 TKS 150 YD45°	150	150	1,997	3323033	2,396	3302489	2,995	3302497	2,196	3323093	2,636	3323053	3,295	3323073
150 TKS 200 YD45°	150	200	2,410	3323034	2,892	3323002	3,615	3323014	2,651	3323094	3,181	3323054	3,977	3323074
150 TKS 300 YD45°	150	300	3,248	3323035	3,898	3323003	4,873	3323015	3,573	3323095	4,288	3323055	5,360	3323075
200 TKS 200 YD45°	200	200	2,766	3323036	3,319	3323004	4,149	3323016	3,042	3323096	3,651	3323056	4,564	3323076
200 TKS 300 YD45°	200	300	3,628	3323037	4,353	3323005	5,441	3323017	3,990	3323097	4,788	3323057	5,985	3323077

- Please indicate order code in your orders.
- Please contact us for special dimensions.
- Material weights may vary by ± 10%

- In case of requested product can be produced as stainless steel.
- All dimensions are given as in mm

- PG= Pre-Galvanized
- HDG= Hot Dip Galvanized

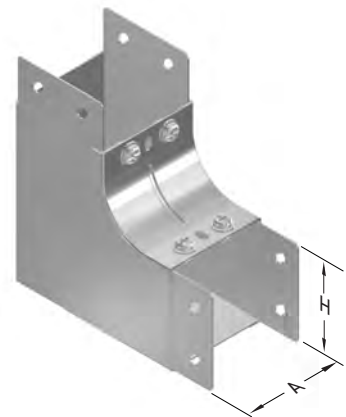
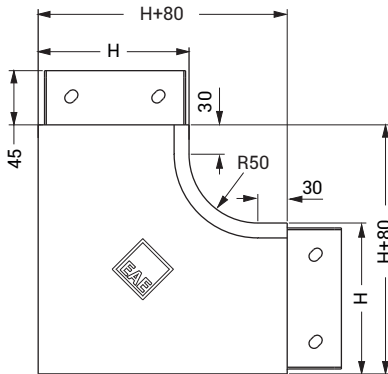


Description	H (mm)	ABCD (mm)	T=1		T=1,2		T=1,5		T=1		T=1,2		T=1,5	
			Weight (kg/pcs)	PG Code	Weight (kg/pcs)	PG Code	Weight (kg/pcs)	PG Code	Weight (kg/pcs)	HDG Code	Weight (kg/pcs)	HDG Code	Weight (kg/pcs)	HDG Code
050 TKS 050 AD	50	50	0,874	3323123	1,049	3302498	1,311	3302506	0,962	3323183	1,154	3323143	1,442	3323163
050 TKS 075 AD	50	75	1,046	3323124	1,255	3302499	1,569	3302507	1,150	3323184	1,381	3323144	1,726	3323164
050 TKS 100 AD	50	100	1,205	3323125	1,446	3323099	1,808	3323111	1,326	3323185	1,591	3323145	1,988	3323165
050 TKS 150 AD	50	150	1,646	3323126	1,975	3323100	2,469	3323112	1,810	3323186	2,173	3323146	2,716	3323166
050 TKS 200 AD	50	200	2,165	3323127	2,598	3323101	3,248	3323113	2,382	3323187	2,858	3323147	3,572	3323167
050 TKS 300 AD	50	300	3,438	3323128	4,126	3323102	5,158	3323114	3,782	3323188	4,539	3323148	5,673	3323168
075 TKS 075 AD	75	75	1,226	3323129	1,471	3302500	1,839	3302508	1,348	3323189	1,618	3323149	2,023	3323169
075 TKS 100 AD	75	100	1,417	3323130	1,700	3302501	2,125	3302509	1,558	3323190	1,870	3323150	2,338	3323170
075 TKS 150 AD	75	150	1,826	3323131	2,191	3323103	2,739	3323115	2,008	3323191	2,410	3323151	3,013	3323171
075 TKS 200 AD	75	200	2,345	3323132	2,814	3323104	3,518	3323116	2,580	3323192	3,095	3323152	3,869	3323172
075 TKS 300 AD	75	300	3,618	3323133	4,342	3323105	5,428	3323117	3,980	3323193	4,776	3323153	5,970	3323173
100 TKS 100 AD	100	100	1,590	3323134	1,908	3302502	2,385	3302510	1,749	3323194	2,099	3323154	2,624	3323174
100 TKS 150 AD	100	150	2,031	3323135	2,437	3302503	3,046	3302511	2,234	3323195	2,681	3323155	3,351	3323175
100 TKS 200 AD	100	200	2,551	3323136	3,061	3302504	3,826	3302512	2,806	3323196	3,367	3323156	4,209	3323176
100 TKS 300 AD	100	300	3,792	3323137	4,550	3323106	5,688	3323118	4,171	3323197	5,005	3323157	6,256	3323177
150 TKS 150 AD	150	150	2,384	3323138	2,861	3302505	3,576	3302513	2,623	3323198	3,147	3323158	3,934	3323178
150 TKS 200 AD	150	200	2,872	3323139	3,446	3323107	4,308	3323119	3,159	3323199	3,791	3323159	4,738	3323179
150 TKS 300 AD	150	300	4,145	3323140	4,974	3323108	6,218	3323120	4,560	3323200	5,471	3323160	6,839	3323180
200 TKS 200 AD	200	200	3,305	3323141	3,966	3323109	4,958	3323121	3,636	3323201	4,363	3323161	5,453	3323181
200 TKS 300 AD	200	300	4,578	3323142	5,494	3323110	6,868	3323122	5,036	3323202	6,043	3323162	7,554	3323182

- Please indicate order code in your orders.
- Please contact us for special dimensions.
- Material weights may vary by ± 10%

- In case of requested product can be produced as stainless steel.
- All dimensions are given as in mm

- PG= Pre-Galvanized
- HDG= Hot Dip Galvanized



Description	H (mm)	AB (mm)	T=1		T=1,2		T=1,5		T=1		T=1,2		T=1,5	
			Weight (kg/pcs)	PG Code	Weight (kg/pcs)	PG Code	Weight (kg/pcs)	PG Code	Weight (kg/pcs)	HDG Code	Weight (kg/pcs)	HDG Code	Weight (kg/pcs)	HDG Code
050 TKS 050 ID	50	50	0,494	3323231	0,593	3302514	0,741	3302522	0,544	3323291	0,652	3323251	0,815	3323271
050 TKS 075 ID	50	75	0,573	3323232	0,688	3302515	0,860	3302523	0,631	3323292	0,757	3323252	0,946	3323272
050 TKS 100 ID	50	100	0,694	3323233	0,833	3323207	1,041	3323219	0,764	3323293	0,916	3323253	1,145	3323273
050 TKS 150 ID	50	150	0,843	3323234	1,012	3323208	1,265	3323220	0,928	3323294	1,113	3323254	1,392	3323274
050 TKS 200 ID	50	200	0,991	3323235	1,189	3323209	1,486	3323221	1,090	3323295	1,308	3323255	1,635	3323275
050 TKS 300 ID	50	300	1,294	3323236	1,553	3323210	1,941	3323222	1,424	3323296	1,708	3323256	2,135	3323276
075 TKS 075 ID	75	75	0,753	3323237	0,903	3302516	1,129	3302524	0,828	3323297	0,993	3323257	1,242	3323277
075 TKS 100 ID	75	100	0,834	3323238	1,001	3302517	1,251	3302525	0,918	3323298	1,101	3323258	1,376	3323278
075 TKS 150 ID	75	150	0,877	3323239	1,052	3323211	1,315	3323223	0,964	3323299	1,157	3323259	1,447	3323279
075 TKS 200 ID	75	200	1,220	3323240	1,464	3323212	1,830	3323224	1,342	3323300	1,610	3323260	2,013	3323280
075 TKS 300 ID	75	300	1,563	3323241	1,875	3323213	2,344	3323225	1,719	3323301	2,063	3323261	2,578	3323281
100 TKS 100 ID	100	100	1,092	3323242	1,310	3302518	1,638	3302526	1,201	3323302	1,441	3323262	1,801	3323282
100 TKS 150 ID	100	150	1,280	3323243	1,536	3302519	1,920	3302527	1,408	3323303	1,690	3323263	2,112	3323283
100 TKS 200 ID	100	200	1,468	3323244	1,761	3302520	2,201	3302528	1,614	3323304	1,937	3323264	2,421	3323284
100 TKS 300 ID	100	300	1,849	3323245	2,219	3323214	2,774	3323226	2,034	3323305	2,441	3323265	3,051	3323285
150 TKS 150 ID	150	150	1,794	3323246	2,153	3302521	2,691	3302529	1,974	3323306	2,368	3323266	2,960	3323286
150 TKS 200 ID	150	200	2,021	3323247	2,425	3323215	3,031	3323227	2,223	3323307	2,668	3323267	3,334	3323287
150 TKS 300 ID	150	300	2,481	3323248	2,977	3323216	3,721	3323228	2,729	3323308	3,275	3323268	4,093	3323288
200 TKS 200 ID	200	200	2,835	3323249	3,402	3323217	4,253	3323229	3,119	3323309	3,742	3323269	4,678	3323289
200 TKS 300 ID	200	300	3,373	3323250	4,048	3323218	5,060	3323230	3,711	3323310	4,453	3323270	5,566	3323290

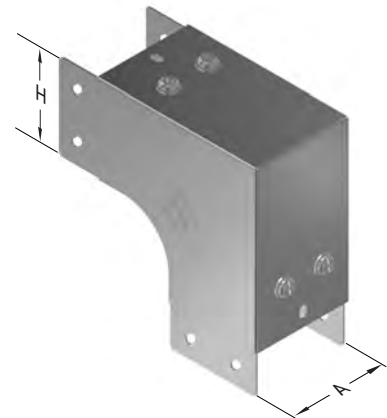
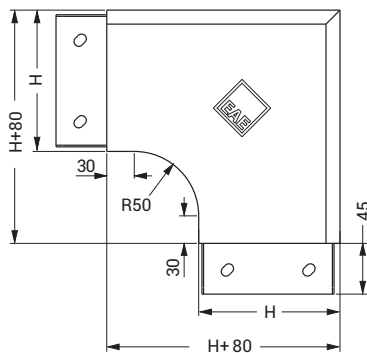
- Please indicate order code in your orders.
- Please contact us for special dimensions.
- Material weights may vary by ± 10%

- In case of requested product can be produced as stainless steel.
- All dimensions are given as in mm

- PG= Pre-Galvanized
- HDG= Hot Dip Galvanized

►► TKS VERTICAL OUTSIDE BEND (90°) R=50

Pre-Galvanized (TS EN 10346 - TS EN 10143), Hot Dip Galvanized (TS EN ISO 1461)

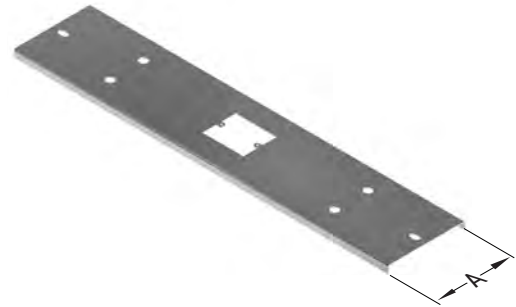


Description	H (mm)	AB (mm)	T=1		T=1,2		T=1,5		T=1		T=1,2		T=1,5	
			Weight (kg/pcs)	PG Code	Weight (kg/pcs)	PG Code	Weight (kg/pcs)	PG Code	Weight (kg/pcs)	HDG Code	Weight (kg/pcs)	HDG Code	Weight (kg/pcs)	HDG Code
050 TKS 050 DD	50	50	0,517	3323426	0,620	3302530	0,775	3302538	0,568	3323486	0,682	3323446	0,853	3323466
050 TKS 075 DD	50	75	0,593	3323427	0,711	3302531	0,889	3302539	0,652	3323487	0,782	3323447	0,978	3323467
050 TKS 100 DD	50	100	0,718	3323428	0,861	3323402	1,076	3323414	0,789	3323488	0,947	3323448	1,184	3323468
050 TKS 150 DD	50	150	0,870	3323429	1,044	3323403	1,305	3323415	0,957	3323489	1,148	3323449	1,436	3323469
050 TKS 200 DD	50	200	1,021	3323430	1,225	3323404	1,531	3323416	1,123	3323490	1,348	3323450	1,684	3323470
050 TKS 300 DD	50	300	1,314	3323431	1,577	3323405	1,971	3323417	1,446	3323491	1,735	3323451	2,168	3323471
075 TKS 075 DD	75	75	0,782	3323432	0,938	3302532	1,173	3302540	0,860	3323492	1,032	3323452	1,290	3323472
075 TKS 100 DD	75	100	0,868	3323433	1,041	3302533	1,301	3302541	0,954	3323493	1,145	3323453	1,431	3323473
075 TKS 150 DD	75	150	1,022	3323434	1,226	3323406	1,533	3323418	1,124	3323494	1,349	3323454	1,686	3323474
075 TKS 200 DD	75	200	1,173	3323435	1,407	3323407	1,759	3323419	1,290	3323495	1,548	3323455	1,935	3323475
075 TKS 300 DD	75	300	1,466	3323436	1,759	3323408	2,199	3323420	1,612	3323496	1,935	3323456	2,419	3323476
100 TKS 100 DD	100	100	1,133	3323437	1,359	3302534	1,699	3302542	1,246	3323497	1,495	3323457	1,869	3323477
100 TKS 150 DD	100	150	1,324	3323438	1,589	3302535	1,986	3302543	1,457	3323498	1,748	3323458	2,185	3323478
100 TKS 200 DD	100	200	1,515	3323439	1,818	3302536	2,273	3302544	1,667	3323499	2,000	3323459	2,500	3323479
100 TKS 300 DD	100	300	1,636	3323440	1,963	3323409	2,454	3323421	1,799	3323500	2,159	3323460	2,699	3323480
150 TKS 150 DD	150	150	1,855	3323441	2,226	3302537	2,783	3302545	2,041	3323501	2,449	3323461	3,061	3323481
150 TKS 200 DD	150	200	2,085	3323442	2,502	3323410	3,128	3323422	2,294	3323502	2,752	3323462	3,440	3323482
150 TKS 300 DD	150	300	2,534	3323443	3,041	3323411	3,801	3323423	2,788	3323503	3,345	3323463	4,181	3323483
200 TKS 200 DD	200	200	2,918	3323444	3,501	3323412	4,376	3323424	3,209	3323504	3,851	3323464	4,814	3323484
200 TKS 300 DD	200	300	3,446	3323445	4,135	3323413	5,169	3323425	3,790	3323505	4,549	3323465	5,686	3323485

- Please indicate order code in your orders.
- Please contact us for special dimensions.
- Material weights may vary by ± 10%

- In case of requested product can be produced as stainless steel.
- All dimensions are given as in mm

- PG= Pre-Galvanized
- HDG= Hot Dip Galvanized

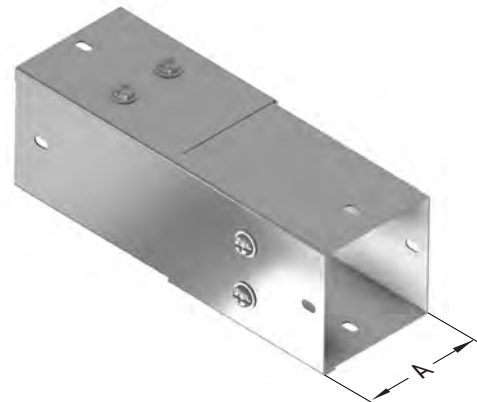
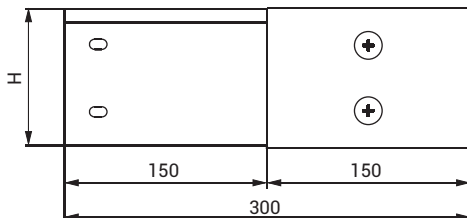


Description	A (mm)	T=1		T=1,2		T=1,5		T=1		T=1,2		T=1,5	
		Weight (kg/pcs)	PG Code	Weight (kg/pcs)	PG Code	Weight (kg/pcs)	PG Code	Weight (kg/pcs)	HDG Code	Weight (kg/pcs)	HDG Code	Weight (kg/pcs)	HDG Code
TKS 50 PP	50	0,328	3323555	0,381	3302586	0,432	3302590	0,360	3323570	0,419	3323560	0,475	3323565
TKS 75 PP	75	0,424	3323556	0,497	3302587	0,576	3302591	0,467	3323571	0,547	3323561	0,634	3323566
TKS 100 PP	100	0,565	3323557	0,654	3302588	0,781	3302592	0,622	3323572	0,719	3323562	0,859	3323567
TKS 150 PP	150	0,761	3323558	0,889	3302589	1,075	3302593	0,837	3323573	0,978	3323563	1,183	3323568
TKS 200 PP	200	0,958	3323559	1,125	3323553	1,373	3323554	1,053	3323574	1,238	3323564	1,510	3323569

TKS Change Face Right

Pre-Galvanized (TS EN 10346 - TS EN 10143), Hot Dip Galvanized (TS EN ISO 1461)

Description	H (mm)	A (mm)	T=1		T=1,2		T=1,5		T=1		T=1,2		T=1,5	
			Weight (kg/pcs)	PG Code	Weight (kg/pcs)	PG Code	Weight (kg/pcs)	PG Code	Weight (kg/pcs)	HDG Code	Weight (kg/pcs)	HDG Code	Weight (kg/pcs)	HDG Code
50 TKS 50 YDM	50	50	0,606	3323511	0,727	3302570	0,882	3302574	0,666	3323526	0,800	3323516	0,970	3323521
75 TKS 75 YDM	75	75	0,841	3323512	1,009	3302571	1,237	3302575	0,925	3323527	1,110	3323517	1,361	3323522
100 TKS 100 YDM	100	100	1,123	3323513	1,348	3302572	1,643	3302576	1,236	3323528	1,483	3323518	1,807	3323523
150 TKS 150 YDM	150	150	1,856	3323514	2,227	3302573	2,345	3302577	2,041	3323529	2,450	3323519	2,580	3323524
200 TKS 200 YDM	200	200	2,055	3323515	2,466	3323509	3,042	3323510	2,261	3323530	2,713	3323520	3,346	3323525



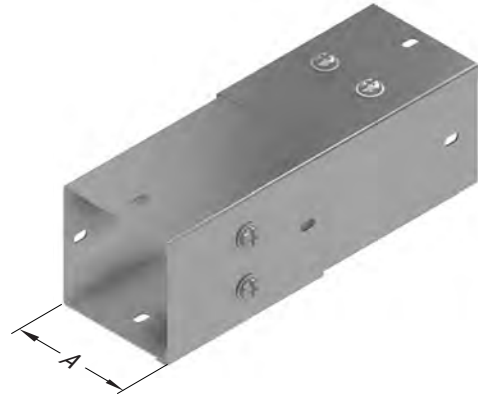
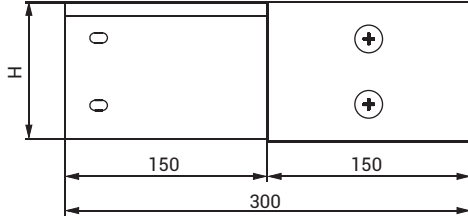
- Please indicate order code in your orders.
- Please contact us for special dimensions.
- Material weights may vary by $\pm 10\%$

- In case of requested product can be produced as stainless steel.
- All dimensions are given as in mm

- PG= Pre-Galvanized
- HDG= Hot Dip Galvanized

TKS CHANGE FACE LEFT

Pre-Galvanized (TS EN 10346 - TS EN 10143), Hot Dip Galvanized (TS EN ISO 1461)

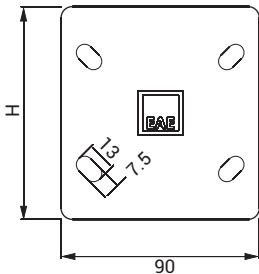


Description	H (mm)	A (mm)	T=1		T=1,2		T=1,5		T=1		T=1,2		T=1,5	
			Weight (kg/pcs)	PG Code	Weight (kg/pcs)	PG Code	Weight (kg/pcs)	PG Code	Weight (kg/pcs)	HDG Code	Weight (kg/pcs)	HDG Code	Weight (kg/pcs)	HDG Code
50 TKS 50 YDM	50	50	0,606	3323533	0,727	3302578	0,882	3302582	0,666	3323548	0,800	3323538	0,970	3323543
75 TKS 75 YDM	75	75	0,841	3323534	1,009	3302579	1,237	3302583	0,925	3323549	1,110	3323539	1,361	3323544
100 TKS 100 YDM	100	100	1,123	3323535	1,348	3302580	1,643	3302584	1,236	3323550	1,483	3323540	1,807	3323545
150 TKS 150 YDM	150	150	1,856	3323536	2,227	3302581	2,345	3302585	2,041	3323551	2,450	3323541	2,580	3323546
200 TKS 200 YDM	200	200	2,055	3323537	2,466	3323531	3,042	3323532	2,261	3323552	2,713	3323542	3,346	3323547

TKS Joint Fitting

Pre-Galvanized (TS EN 10346 - TS EN 10143), Hot Dip Galvanized (TS EN ISO 1461)

Description	A (mm)	T=1		T=1,2		T=1,5		T=1		T=1,2		T=1,5	
		Weight (kg/pcs)	PG Code	Weight (kg/pcs)	PG Code	Weight (kg/pcs)	PG Code	Weight (kg/pcs)	HDG Code	Weight (kg/pcs)	HDG Code	Weight (kg/pcs)	HDG Code
TKS 50 JOINT FITTING	45	0,030	3323585	0,036	3323575	0,045	3323580	0,033	3323600	0,040	3323590	0,050	3323595
TKS 75 JOINT FITTING	70	0,048	3323586	0,058	3323576	0,073	3323581	0,053	3323601	0,064	3323591	0,080	3323596
TKS 100 JOINT FITTING	95	0,064	3323587	0,077	3323577	0,096	3323582	0,071	3323602	0,085	3323592	0,106	3323597
TKS 150 JOINT FITTING	145	0,098	3323588	0,118	3323578	0,148	3323583	0,108	3323603	0,130	3323593	0,162	3323598
TKS 200 JOINT FITTING	195	0,133	3323589	0,160	3323579	0,200	3323584	0,147	3323604	0,176	3323594	0,220	3323599



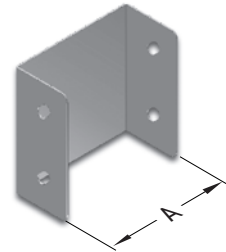
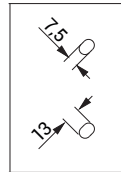
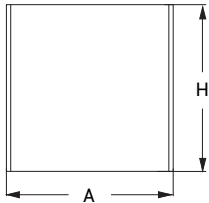
- For H= 50, 2 piece M6X12 bolts must be ordered.
- For H= 75, 2 piece M6X12 bolts must be ordered.
- For H= 100, 4 piece M6X12 bolts must be ordered.
- For H= 150, 6 piece M6X12 bolts must be ordered.
- For H= 200, 6 piece M6X12 bolts must be ordered.



- Please indicate order code in your orders.
- Please contact us for special dimensions.
- Material weights may vary by $\pm 10\%$

- In case of requested product can be produced as stainless steel.
- All dimensions are given as in mm

- PG= Pre-Galvanized
- HDG= Hot Dip Galvanized



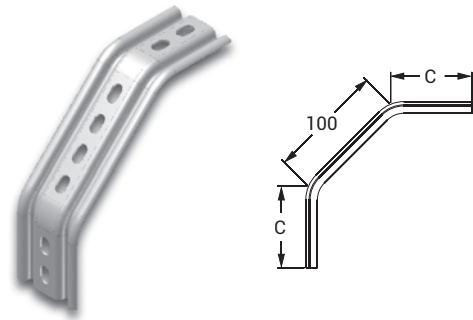
Description	H (mm)	A (mm)	T=1		T=1,2		T=1,5		T=1		T=1,2		T=1,5	
			Weight (kg/pcs)	PG Code	Weight (kg/pcs)	PG Code	Weight (kg/pcs)	PG Code	Weight (kg/pcs)	HDG Code	Weight (kg/pcs)	HDG Code	Weight (kg/pcs)	HDG Code
050 TKS 050 SE	50	50	0,044	3323705	0,053	3323665	0,066	3323685	0,049	3323645	0,058	3323605	0,073	3323625
050 TKS 075 SE	50	75	0,053	3323706	0,064	3323666	0,080	3323686	0,059	3323646	0,070	3323606	0,088	3323626
050 TKS 100 SE	50	100	0,064	3323707	0,077	3323667	0,096	3323687	0,071	3323647	0,085	3323607	0,106	3323627
050 TKS 150 SE	50	150	0,082	3323708	0,098	3323668	0,123	3323688	0,090	3323648	0,108	3323608	0,135	3323628
050 TKS 200 SE	50	200	0,100	3323709	0,120	3323669	0,150	3323689	0,110	3323649	0,132	3323609	0,165	3323629
050 TKS 300 SE	50	300	0,135	3323710	0,162	3323670	0,203	3323690	0,149	3323650	0,178	3323610	0,223	3323630
075 TKS 075 SE	75	75	0,084	3323711	0,101	3323671	0,126	3323691	0,093	3323651	0,111	3323611	0,139	3323631
075 TKS 100 SE	75	100	0,098	3323712	0,117	3323672	0,146	3323692	0,107	3323652	0,129	3323612	0,161	3323632
075 TKS 150 SE	75	150	0,128	3323713	0,153	3323673	0,191	3323693	0,140	3323653	0,168	3323613	0,210	3323633
075 TKS 200 SE	75	200	0,155	3323714	0,186	3323674	0,233	3323694	0,171	3323654	0,205	3323614	0,256	3323634
075 TKS 300 SE	75	300	0,210	3323715	0,252	3323675	0,315	3323695	0,231	3323655	0,277	3323615	0,347	3323635
100 TKS 100 SE	100	100	0,133	3323716	0,159	3323676	0,199	3323696	0,146	3323656	0,175	3323616	0,219	3323636
100 TKS 150 SE	100	150	0,169	3323717	0,203	3323677	0,254	3323697	0,186	3323657	0,223	3323617	0,279	3323637
100 TKS 200 SE	100	200	0,206	3323718	0,247	3323678	0,309	3323698	0,226	3323658	0,272	3323618	0,340	3323638
100 TKS 300 SE	100	300	0,285	3323719	0,342	3323679	0,428	3323699	0,314	3323659	0,376	3323619	0,470	3323639
150 TKS 150 SE	150	150	0,258	3323720	0,310	3323680	0,388	3323700	0,284	3323660	0,341	3323620	0,426	3323640
150 TKS 200 SE	150	200	0,322	3323721	0,386	3323681	0,483	3323701	0,354	3323661	0,425	3323621	0,531	3323641
150 TKS 300 SE	150	300	0,436	3323722	0,523	3323682	0,654	3323702	0,479	3323662	0,575	3323622	0,719	3323642
200 TKS 200 SE	200	200	0,430	3323723	0,516	3323683	0,645	3323703	0,473	3323663	0,568	3323623	0,710	3323643
200 TKS 300 SE	200	300	0,583	3323724	0,700	3323684	0,875	3323704	0,642	3323664	0,770	3323624	0,963	3323644

- Please indicate order code in your orders.
- Please contact us for special dimensions.
- Material weights may vary by ± 10%

- In case of requested product can be produced as stainless steel.
- All dimensions are given as in mm

- PG= Pre-Galvanized
- HDG= Hot Dip Galvanized

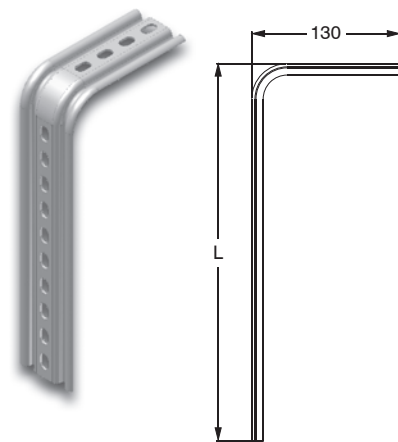
Description	C (mm)	T (mm)	T=2		T=2	
			Weight (kg/pcs)	PG Code	Weight (kg/pcs)	HDG Code
TKS 50 FIXING 135°	45	2	0,168	3002198	0,185	3002197
TKS 75 FIXING 135°	60	2	0,229	3002200	0,252	3002199
TKS 100 FIXING 135°	70	2	0,282	3002202	0,310	3002201
TKS 150 FIXING 135°	95	2	0,396	3002204	0,436	3002203
TKS 200 FIXING 135°	140	2	0,555	3323749	0,610	3323751



TKS Fixing Elements "L"

Pre-Galvanized (TS EN 10346 - TS EN 10143), Hot Dip Galvanized (TS EN ISO 1461)

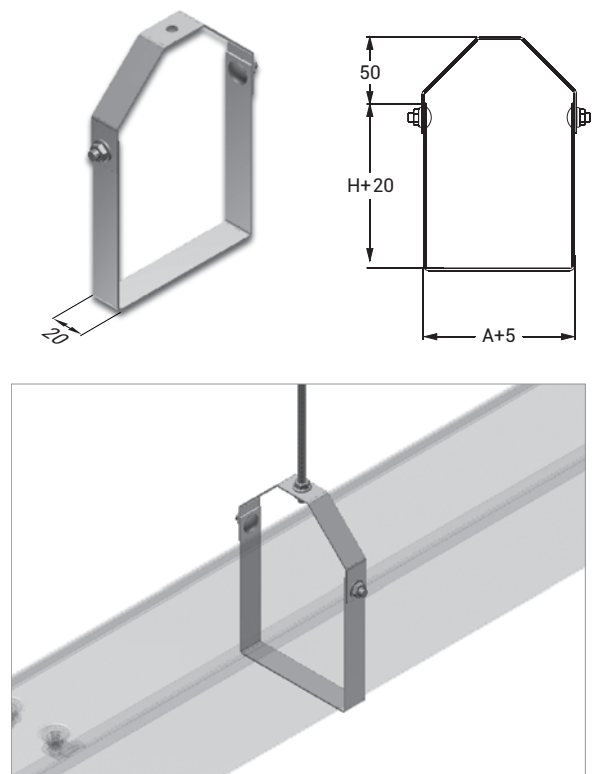
Description	L (mm)	T (mm)	T=2		T=2	
			Weight (kg/pcs)	PG Code	Weight (kg/pcs)	HDG Code
TKS 50 FIXING L	50	2	0,186	3002248	0,205	3002247
TKS 75 FIXING L	75	2	0,251	3002250	0,276	3002249
TKS 100 FIXING L	100	2	0,243	3002252	0,267	3002251
TKS 150 FIXING L	150	2	0,300	3002254	0,330	3002253
TKS 200 FIXING L	200	2	0,357	3323750	0,393	3323752



TKS Fixing Elements

Pre-Galvanized (TS EN 10346 - TS EN 10143), Hot Dip Galvanized (TS EN ISO 1461)

Description	H (mm)	A (mm)	T=1,5		T=1,5	
			Weight (kg/pcs)	PG Code	Weight (kg/pcs)	HDG Code
TKS EARTHING LINK	50	50	0,095	3002184	0,105	3002183
50 TKS 75 FIXING	50	75	0,103	3002186	0,113	3002185
50 TKS 100 FIXING	50	100	0,112	3323725	0,123	3323737
50 TKS 150 FIXING	50	150	0,133	3323726	0,146	3323738
50 TKS 200 FIXING	50	200	0,155	3323727	0,171	3323739
50 TKS 300 FIXING	50	300	0,200	3323728	0,220	3323740
75 TKS 75 FIXING	75	75	0,115	3002188	0,127	3002187
75 TKS 100 FIXING	75	100	0,124	3002190	0,136	3002189
75 TKS 150 FIXING	75	150	0,145	3323729	0,160	3323741
75 TKS 200 FIXING	75	200	0,166	3323730	0,183	3323742
75 TKS 300 FIXING	75	300	0,212	3323731	0,233	3323743
100 TKS 100 FIXING	100	100	0,136	3002192	0,150	3002191
100 TKS 150 FIXING	100	150	0,157	3002194	0,173	3002193
100 TKS 200 FIXING	100	200	0,170	3002196	0,187	3002195
100 TKS 300 FIXING	100	300	0,224	3323732	0,246	3323744
150 TKS 150 FIXING	150	150	0,180	3002258	0,198	3002257
150 TKS 200 FIXING	150	200	0,202	3323733	0,222	3323745
150 TKS 300 FIXING	150	300	0,247	3323734	0,270	3323746
200 TKS 200 FIXING	200	200	0,249	3323735	0,274	3323747
200 TKS 300 FIXING	200	300	0,294	3323736	0,323	3323748



■ Please indicate order code in your orders.

■ Please contact us for special dimensions.

■ Material weights may vary by ± 10%

■ All dimensions are given as in mm

■ PG= Pre-Galvanized

■ HDG= Hot Dip Galvanized

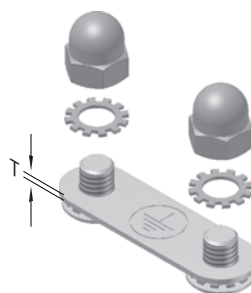
E-LINETKS

►►TKS EARTHING LINK

Copper (EN 1652)



Description	T (mm)	Weight (kg/pcs)	PG Code
TKS EARTHING LINK	1	0,022	3001730



► TKS Pull-Off Dowel

Pre-Galvanized (TS EN 10346 - TS EN 10143)

Description	Weight (kg/pcs)	PG Code
PULL-OFF DOWEL JACKETED M6	0,033	5000007



► TKS Cable Trunking Joint Set

Pre-Galvanized (TS EN 10143)

Description	Weight (kg/pcs)	PG Code
JOINT SET M6x12 BOLT&NUT	0,009	1004314



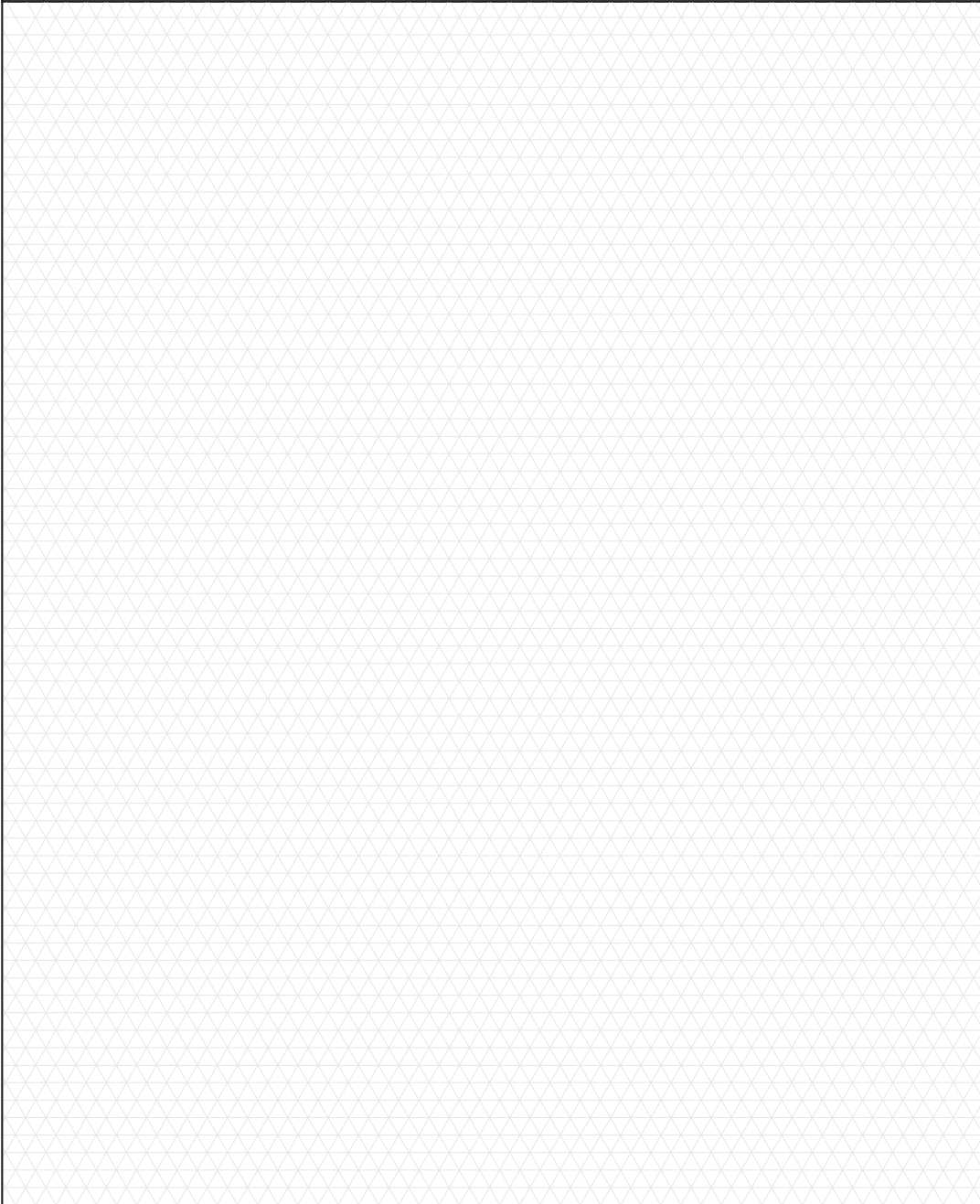
- Please indicate order code in your orders.
- Please contact us for special dimensions.
- Material weights may vary by $\pm 10\%$

- In case of requested product can be produced as stainless steel.
- All dimensions are given as in mm

- PG= Pre-Galvanized
- HDG= Hot Dip Galvanized

▶▶ PROJECT DESIGN FORM

Component List		Quantity
Item	Component	
		Company: Project: Project No:
		Name : Date : Signature :
		Prepared by



Please duplicate this page for your own use.