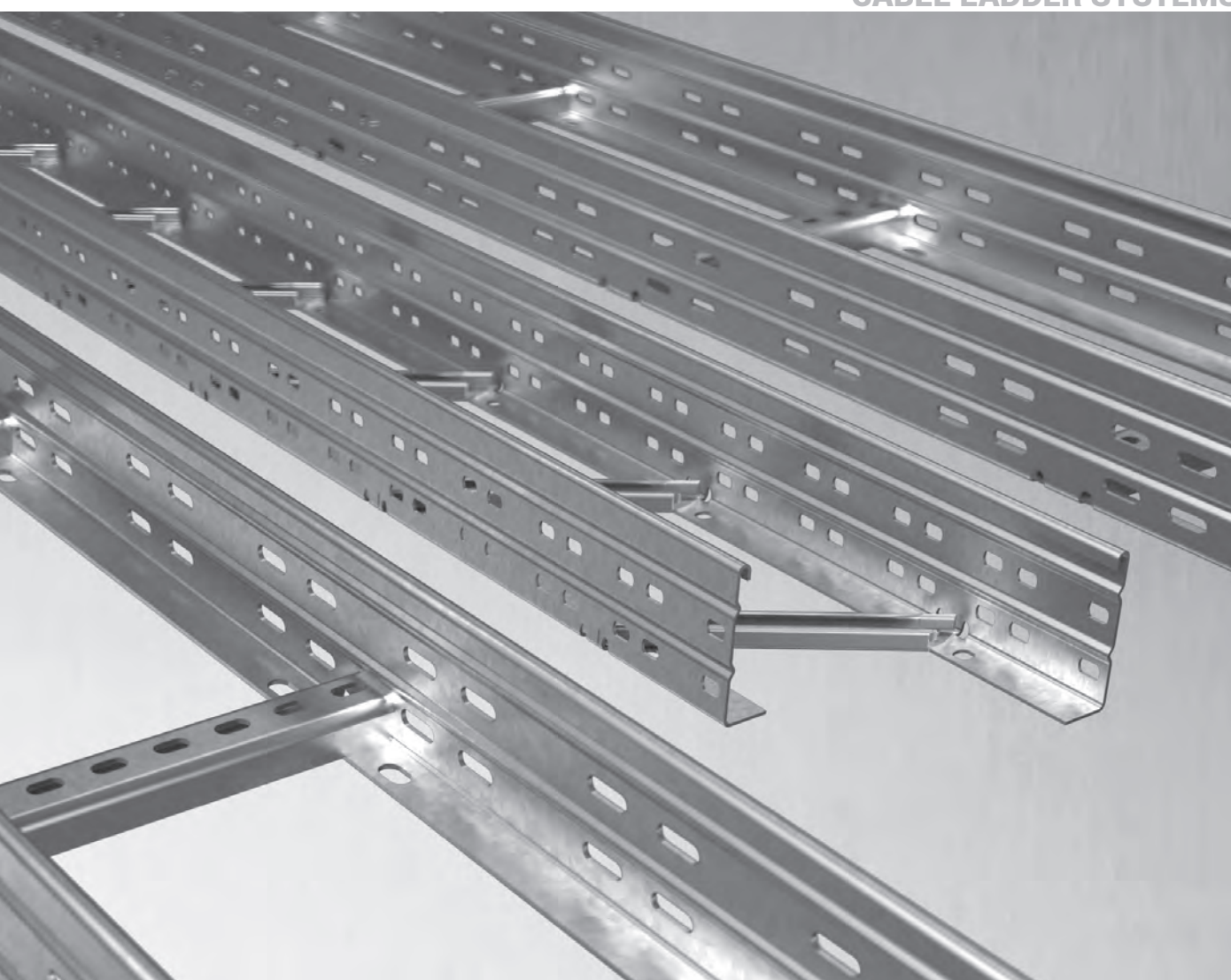




# E-LINE KM

CABLE LADDER SYSTEMS



KM

# E-LINE KM

Please visit our website for the updated version of our catalogues.  
[www.eaeelectric.com](http://www.eaeelectric.com)

# CONTENTS

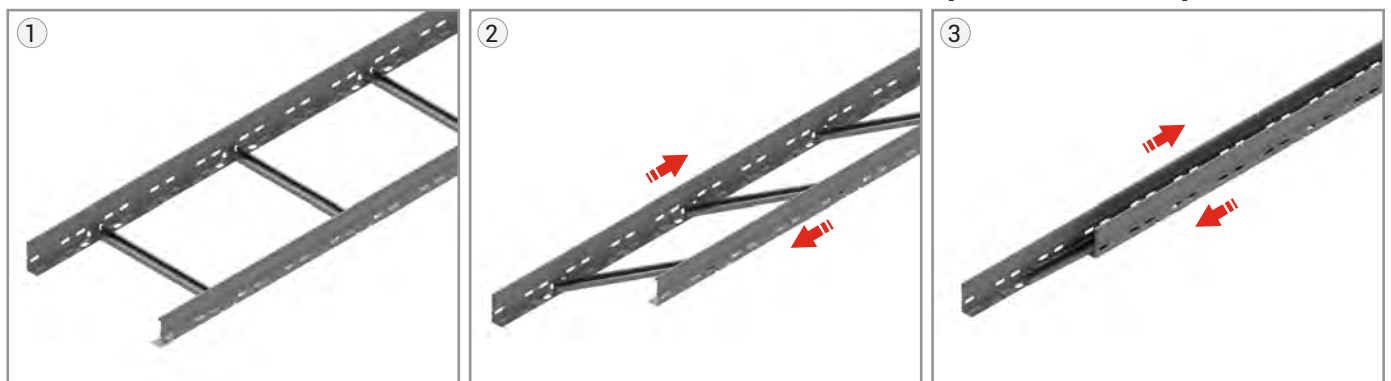
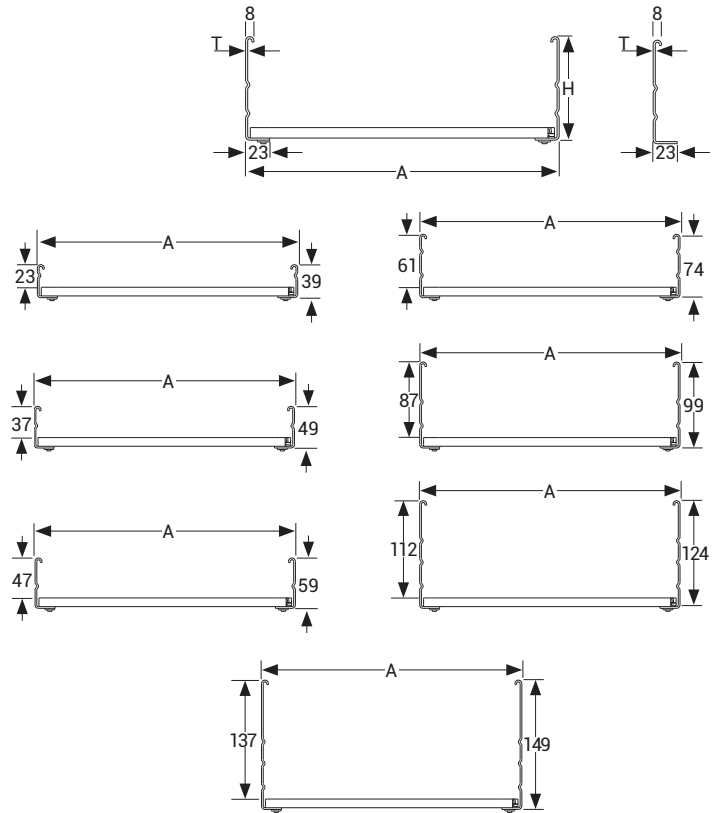
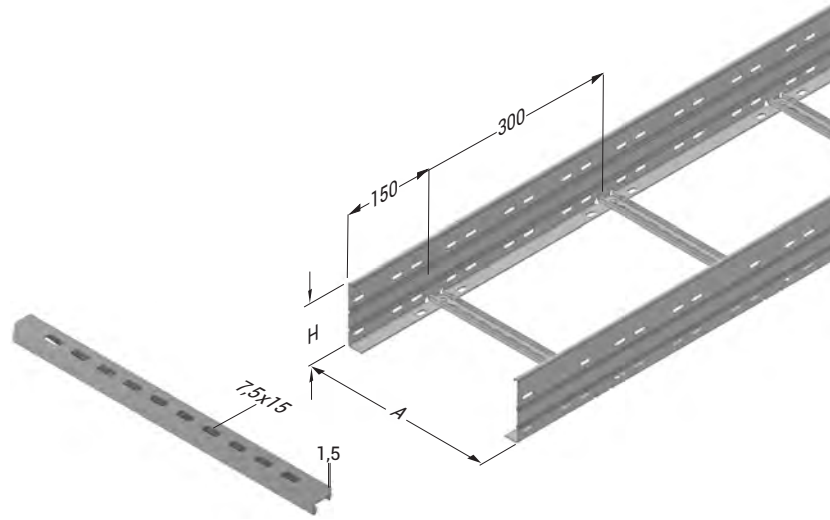
---

## ▶▶ E-LINE KM

---

Cable Ladders / Cable Ladder Covers .....	2-4
Joint Fittings .....	5
Deflection Values .....	6
Bends .....	7-12
Bend Covers .....	13-15
Bends .....	16-29
Bend Covers .....	30-35
Level Adaptation Bend .....	36
Level Adaptation Cover .....	37
Joint Fittings .....	38
Blind End .....	39
Fixing Units .....	40
Reduction Fitting .....	41-42
Omega Clamp .....	43

Description	H (mm)	A (mm)	T (mm)	Cable Area (cm <sup>2</sup> )	Weight (kg/m.)	PG Code
040 KM 100	40	100	1,2	27	1,377	3025383
040 KM 200	40	200	1,2	55	1,543	3025384
040 KM 300	40	300	1,2	83	1,713	3025385
040 KM 400	40	400	1,2	111	1,880	3025386
040 KM 500	40	500	1,2	139	2,050	3025387
040 KM 600	40	600	1,2	167	2,217	3025388
050 KM 100	50	100	1,2	37	1,561	3025389
050 KM 200	50	200	1,2	75	1,731	3025390
050 KM 300	50	300	1,2	113	1,901	3025391
050 KM 400	50	400	1,2	151	2,068	3025392
050 KM 500	50	500	1,2	189	2,238	3025393
050 KM 600	50	600	1,2	227	2,405	3025394
060 KM 100	60	100	1,2	47	1,750	3025395
060 KM 200	60	200	1,2	95	1,920	3025396
060 KM 300	60	300	1,2	143	2,090	3025397
060 KM 400	60	400	1,2	191	2,257	3025398
060 KM 500	60	500	1,2	239	2,427	3025399
060 KM 600	60	600	1,2	287	2,593	3025400
075 KM 100	75	100	1,5	62	2,387	3025401
075 KM 200	75	200	1,5	125	2,557	3025402
075 KM 300	75	300	1,5	188	2,727	3025403
075 KM 400	75	400	1,5	250	2,893	3025404
075 KM 500	75	500	1,5	313	3,063	3025405
075 KM 600	75	600	1,5	376	3,230	3025406
100 KM 100	100	100	1,5	86	2,971	3025407
100 KM 200	100	200	1,5	174	3,141	3025408
100 KM 300	100	300	1,5	262	3,311	3025409
100 KM 400	100	400	1,5	349	3,477	3025410
100 KM 500	100	500	1,5	437	3,647	3025411
100 KM 600	100	600	1,5	525	3,814	3025412
125 KM 200	125	200	1,5	204	3,609	3025413
125 KM 300	125	300	1,5	307	3,779	3025414
125 KM 400	125	400	1,5	409	3,945	3025415
125 KM 500	125	500	1,5	512	4,115	3025416
125 KM 600	125	600	1,5	615	4,282	3025417
150 KM 200	150	200	1,5	273	4,140	3025418
150 KM 300	150	300	1,5	411	4,310	3025419
150 KM 400	150	400	1,5	548	4,477	3025420
150 KM 500	150	500	1,5	686	4,647	3025421
150 KM 600	150	600	1,5	824	4,813	3025422



■ KM Foldable cable ladders are compatible with the modules of UKE and KME series of cable ladders.

■ Please contact your representative for inquiries regarding stainless steel alternatives.

■ Please indicate product code in your orders.

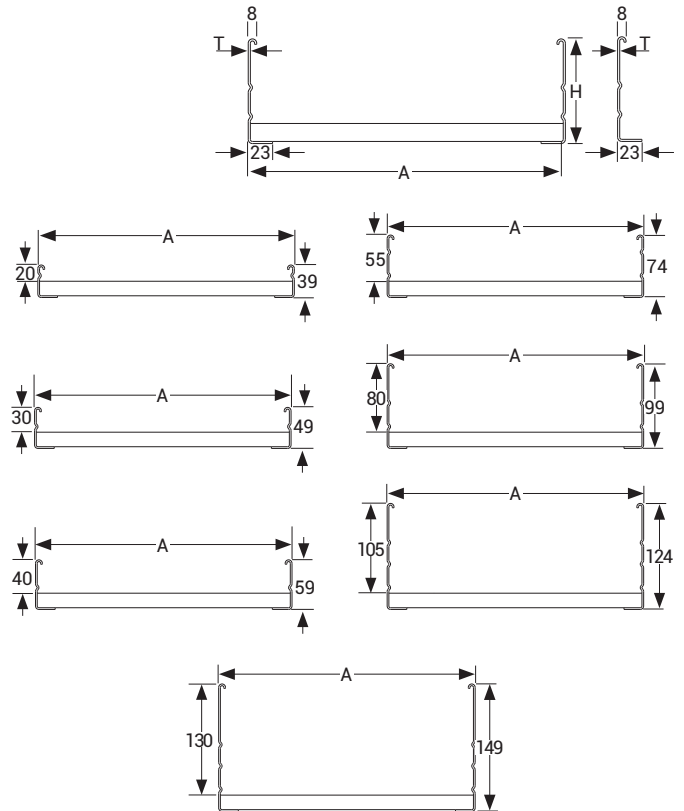
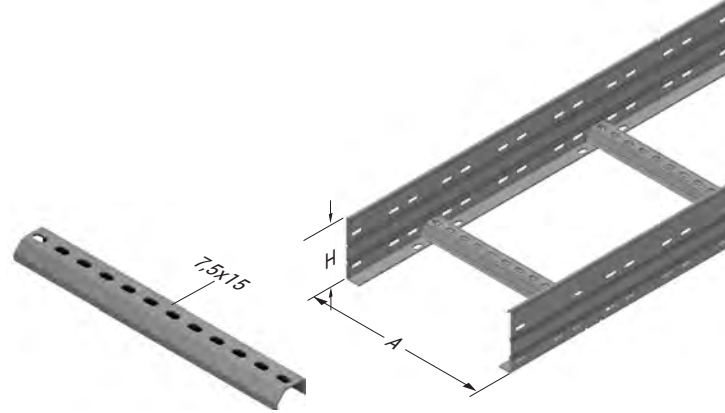
■ Please contact us for special dimensions.

■ Material weights may vary by ± 10%

■ All dimensions are given as in mm

■ PG= Pre-Galvanized  
■ HDG= Hot Dip Galvanized

Description	H (mm)	A (mm)	T= 1,2		T= 1,5		T= 2	
			Weight (kg/m)	HDG Code	Weight (kg/m)	HDG Code	Weight (kg/m)	HDG Code
040 KME 100	40	100	1,555	3306087	1,830	3306105	2,387	3306150
040 KME 200	40	200	1,786	3306088	2,061	3306106	2,695	3306151
040 KME 300	40	300	2,014	3306089	2,289	3306107	2,999	3306152
040 KME 400	40	400	-	-	2,520	3306108	3,307	3306153
040 KME 500	40	500	-	-	2,751	3306109	3,615	3306154
040 KME 600	40	600	-	-	2,979	3306110	3,920	3306155
050 KME 100	50	100	1,761	3306093	2,089	3306111	2,732	3306156
050 KME 200	50	200	1,992	3306094	2,320	3306112	3,040	3306157
050 KME 300	50	300	2,221	3306095	2,549	3306113	3,345	3306158
050 KME 400	50	400	-	-	2,780	3306114	3,653	3306159
050 KME 500	50	500	-	-	3,011	3306115	3,961	3306160
050 KME 600	50	600	-	-	3,239	3306116	4,265	3306161
060 KME 100	60	100	1,969	3306099	2,347	3306117	3,078	3306162
060 KME 200	60	200	2,200	3306100	2,578	3306118	3,386	3306163
060 KME 300	60	300	2,428	3306101	2,807	3306119	3,690	3306164
060 KME 400	60	400	-	-	3,038	3306120	3,998	3306165
060 KME 450	60	450	-	-	3,153	3306121	4,152	3306166
060 KME 500	60	500	-	-	3,269	3306122	4,306	3306167
060 KME 600	60	600	-	-	3,497	3306123	4,610	3306168
075 KME 100	75	100	-	-	2,669	3306124	3,491	3306169
075 KME 200	75	200	-	-	2,900	3306125	3,799	3306170
075 KME 300	75	300	-	-	3,129	3306126	4,103	3306171
075 KME 400	75	400	-	-	3,360	3306127	4,411	3306172
075 KME 450	75	450	-	-	3,475	3306128	4,565	3306173
075 KME 500	75	500	-	-	3,591	3306129	4,719	3306174
075 KME 600	75	600	-	-	3,819	3306130	5,023	3306175
100 KME 200	100	200	-	-	3,543	3306132	4,663	3306176
100 KME 300	100	300	-	-	3,771	3306133	4,967	3306177
100 KME 400	100	400	-	-	4,002	3306134	5,275	3306178
100 KME 450	100	450	-	-	4,117	3306135	5,429	3306179
100 KME 500	100	500	-	-	4,233	3306136	5,583	3306180
100 KME 600	100	600	-	-	4,461	3306137	5,887	3306181
125 KME 200	125	200	-	-	-	-	5,347	3306182
125 KME 300	125	300	-	-	-	-	5,651	3306183
125 KME 400	125	400	-	-	-	-	5,959	3306184
125 KME 450	125	450	-	-	-	-	6,113	3306185
125 KME 500	125	500	-	-	-	-	6,267	3306186
125 KME 600	125	600	-	-	-	-	6,571	3306187
150 KME 200	150	200	-	-	-	-	6,121	3306188
150 KME 300	150	300	-	-	-	-	6,425	3306189
150 KME 400	150	400	-	-	-	-	6,733	3306190
150 KME 450	150	450	-	-	-	-	6,887	3306191
150 KME 500	150	500	-	-	-	-	7,041	3306192
150 KME 600	150	600	-	-	-	-	7,346	3306193

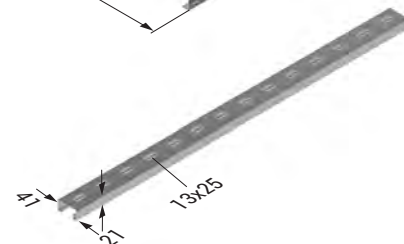
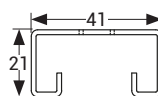
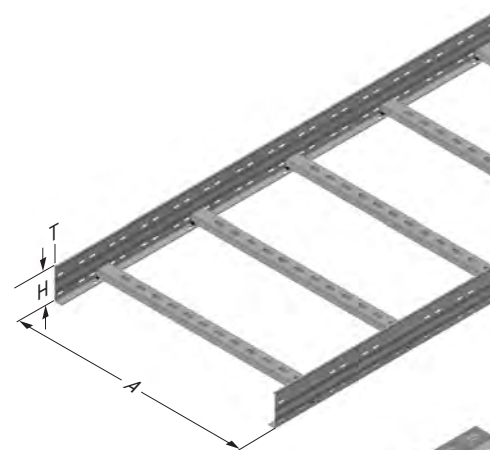


KM

- Standard length is 3000 mm
- Please contact your representative for inquiries regarding stainless steel alternatives.
- Please indicate product code in your orders.
- Please contact us for special dimensions.
- Material weights may vary by ± 10%

- All dimensions are given as in mm
- PG= Pre-Galvanized
- HDG= Hot Dip Galvanized

Description	H (mm)	A (mm)	T (mm)	Weight (kg/m)	HDG Code
060 KME 700	60	700	2	6,532	3306194
060 KME 800	60	800	2	7,067	3306195
060 KME 900	60	900	2	7,602	3306196
075 KME 700	75	700	2	6,945	3306197
075 KME 800	75	800	2	7,480	3306198
075 KME 900	75	900	2	8,015	3306199
100 KME 700	100	700	2	7,809	3306200
100 KME 800	100	800	2	8,344	3306201
100 KME 900	100	900	2	8,879	3306202
125 KME 700	125	700	2	8,493	3306203
125 KME 800	125	800	2	9,028	3306204
125 KME 900	125	900	2	9,563	3306205
150 KME 700	150	700	2	9,267	3306206
150 KME 800	150	800	2	9,802	3306207
150 KME 900	150	900	2	10,338	3306208



### ► KME Cable Ladder Cover

Hot Dip Galvanized (TS EN ISO 1461)

Description	A (mm)	T=1		T=1,2		T=1,5		T=2	
		Weight (kg/m)	HDG Code	Weight (kg/m)	HDG Code	Weight (kg/m)	HDG Code	Weight (kg/m)	HDG Code
KME 100 COVER	105	1,059	3006907	1,270	3270643	1,602	3087651	2,118	3005698
KME 200 COVER	205	1,927	3006903	2,312	3270645	2,905	3087650	3,853	3005694
KME 300 COVER	305	2,891	3299283	3,353	3270648	4,191	3006899	5,589	3005690
KME 400 COVER	405	3,681	3225909	4,416	3270649	5,493	3006897	7,325	3005688
KME 450 COVER	455	4,096	3275578	4,915	3270650	6,144	3270651	8,192	3241471
KME 500 COVER	505	-	-	5,436	3275580	6,795	3006895	9,061	3005686
KME 600 COVER	605	-	-	6,478	3275584	8,097	3006893	10,797	3005684



### ► Cable Ladder Joint Bolt & Nut Set

Description	Weight (kg/pcs)	Order Code
JOINT BOLT SET M6	0,009	1004314



- Contains 1 unit M6x12 round head bolt + 1 unit M6 flanged nut. Coated with standard lac.

### ► Bolt Cover Clamp

Hot Dip Galvanized (TS EN ISO 1461)

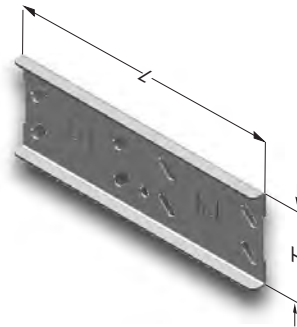
Description	H (mm)	T=3	
		Weight (kg/pcs)	HDG Code
Bolt Cover Clamp H: 040	41	0,077	3290060
Bolt Cover Clamp H: 050	51	0,085	3290061
Bolt Cover Clamp H: 060	61	0,092	3290062
Bolt Cover Clamp H: 075	76	0,103	3290063
Bolt Cover Clamp H: 100	101	0,123	3290064
Bolt Cover Clamp H: 125	126	0,143	3290065
Bolt Cover Clamp H: 150	151	0,162	3290066



- Standard length is 3000 mm
- Please contact your representative for inquiries regarding stainless steel alternatives.
- Please indicate product code in your orders.
- Please contact us for special dimensions.
- Material weights may vary by  $\pm 10\%$

- All dimensions are given as in mm
- PG= Pre-Galvanized
- HDG= Hot Dip Galvanized

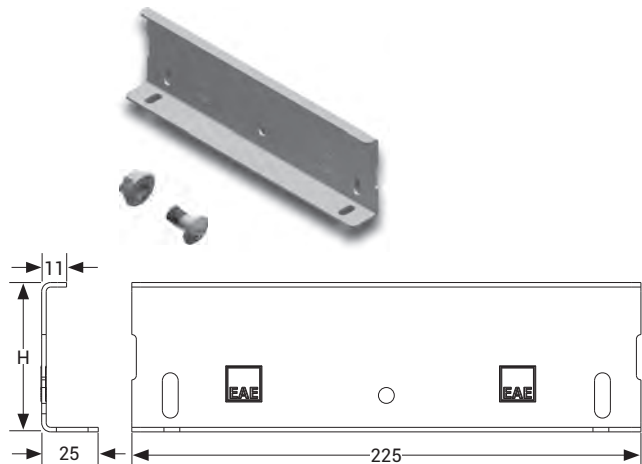
Description	L (mm)	T (mm)	Weight (kg/pcs)	HDG Code
040 KME JOINT FITTING	210	1	0,102	3240945
040 KME JOINT FITTING	200	1,2	0,117	3127207
040 KME JOINT FITTING	200	1,5	0,146	3006167
040 KME JOINT FITTING	210	2	0,207	3006945
050 KME JOINT FITTING	210	1	0,121	3240946
050 KME JOINT FITTING	200	1,2	0,138	3127208
050 KME JOINT FITTING	200	1,5	0,173	3006165
050 KME JOINT FITTING	210	2	0,243	3006943
060 KME JOINT FITTING	210	1	0,139	3240947
060 KME JOINT FITTING	200	1,2	0,158	3127209
060 KME JOINT FITTING	200	1,5	0,198	3006163
060 KME JOINT FITTING	210	2	0,279	3006941
075 KME JOINT FITTING	210	1	0,162	3292988
075 KME JOINT FITTING	200	1,2	0,184	3292990
075 KME JOINT FITTING	200	1,5	0,231	3006161
075 KME JOINT FITTING	210	2	0,325	3006939
100 KME JOINT FITTING	210	1	0,207	3293279
100 KME JOINT FITTING	200	1,2	0,237	3293277
100 KME JOINT FITTING	200	1,5	0,296	3006159
100 KME JOINT FITTING	210	2	0,417	3006937
125 KME JOINT FITTING	192	2	0,453	3003311
150 KME JOINT FITTING	210	2	0,586	3003312



### ► KME Expansion Set

Hot Dip Galvanized (TS EN ISO 1461)

Description	Joining Ladder Thickness (mm)	H (mm)	T (mm)	Weight (kg/set)	HDG Code
40 KME EXPANSION SET	1 - 1,2	40	2	0,622	3006612
40 KME EXPANSION SET	1,5 - 2	40	2	0,622	3006615
50 KME EXPANSION SET	1 - 1,2	50	2	0,698	3006613
50 KME EXPANSION SET	1,5 - 2	50	2	0,698	3006616
60 KME EXPANSION SET	1 - 1,2	60	2	0,777	3006614
60 KME EXPANSION SET	1,5 - 2	60	2	0,777	3006617
75 KME EXPANSION SET	1,5 - 2	75	2	0,905	3006618
100 KME EXPANSION SET	1,5 - 2	100	2	1,098	3006619
125 KME EXPANSION SET	1,5 - 2	125	2	1,304	3006620
150 KME EXPANSION SET	1,5 - 2	150	2	1,510	3006621



- Expansion set allows 35mm expansion.
- Expansion set includes 2 pcs expansion unit and 8 pcs bolts&nuts for 40-50-60-75-100mm height.
- Expansion set includes 2 pcs expansion unit and 12 pcs bolts&nuts for 125&150mm height.

### ► Cable Tray Cover Clamps

Description	Weight (kg/pcs)	Order Code
040 COVER CLAMP (OUTWARD)	0,010	1004254
050 COVER CLAMP (OUTWARD)	0,013	1004184
060 COVER CLAMP (OUTWARD)	0,015	1004253
075 COVER CLAMP (OUTWARD)	0,019	1004183
100 COVER CLAMP (OUTWARD)	0,026	1004182
125 COVER CLAMP (OUTWARD)	0,035	1004180
150 COVER CLAMP (OUTWARD)	0,042	1004181



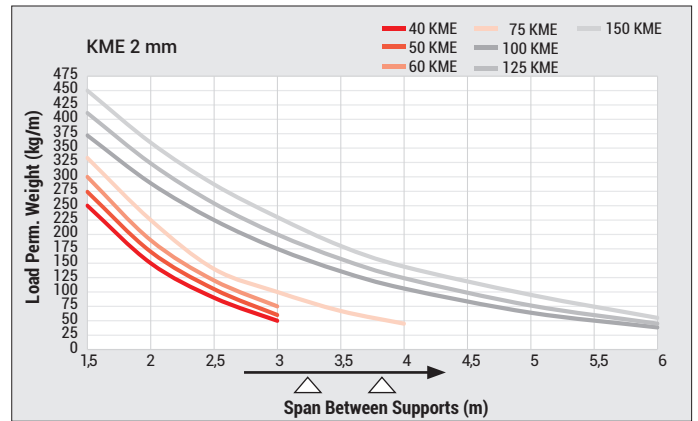
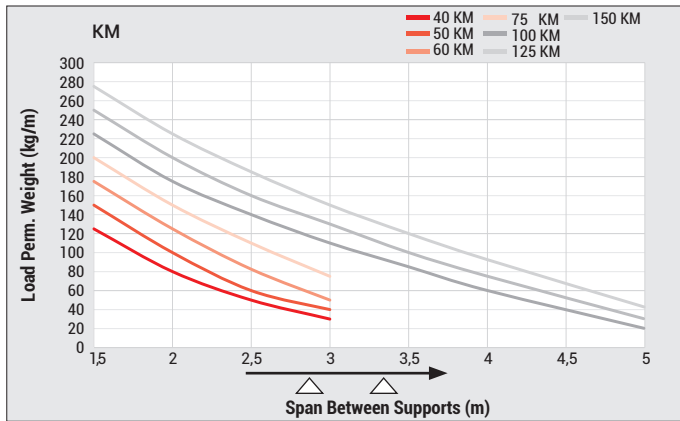
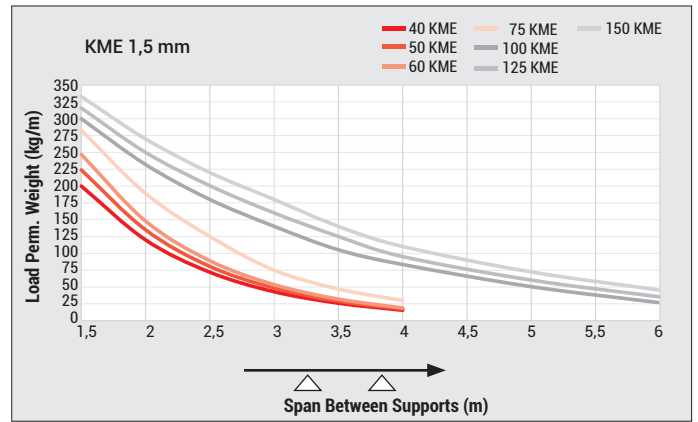
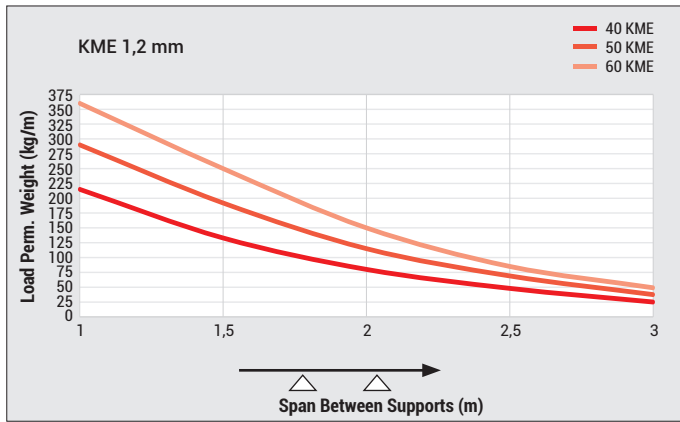
Spiked Structure



Cover Clamp (outward)  
(Alkaline Lacquer Coated)

- Please contact your representative for inquiries regarding stainless steel alternatives.
- Please indicate product code in your orders.
- Please contact us for special dimensions.
- Material weights may vary by  $\pm 10\%$

- All dimensions are given as in mm
- PG= Pre-Galvanized
- HDG= Hot Dip Galvanized



- Please contact your representative for inquiries regarding stainless steel alternatives.
- Please indicate product code in your orders.
- Please contact us for special dimensions.
- Material weights may vary by ± 10%

- All dimensions are given as in mm
- PG= Pre-Galvanized
- HDG= Hot Dip Galvanized

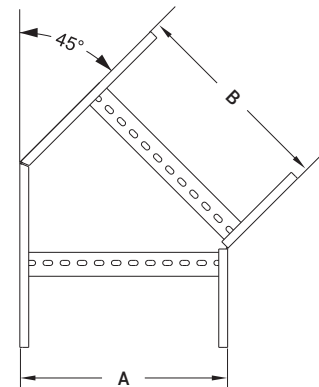
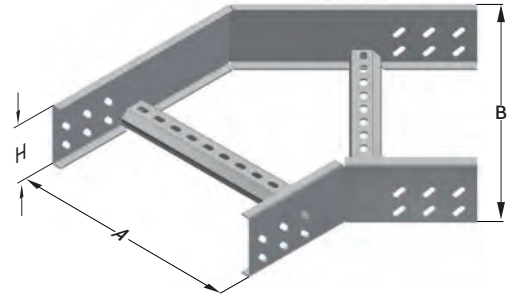


## ►► BENDS

### ► KME YD 45° Horizontal Bend

Hot Dip Galvanized (TS EN ISO 1461)

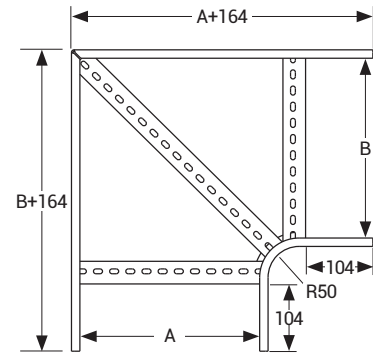
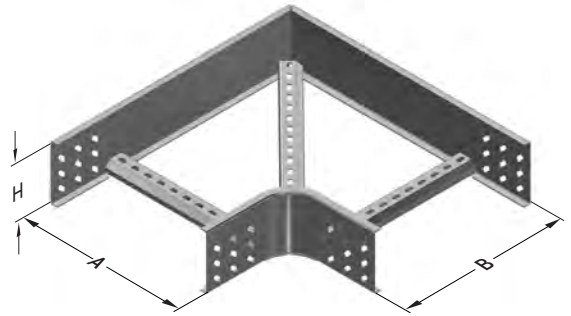
Description	H (mm)	AB (mm)	T=1,2		T=1,5		T=2	
			Weight (kg/pcs)	HDG Code	Weight (kg/pcs)	HDG Code	Weight (kg/pcs)	HDG Code
040 KME 100 YD	40	100	0,623	3272107	0,669	3272068	0,894	3265039
040 KME 200 YD	40	200	0,831	3272108	0,877	3272069	1,169	3265040
040 KME 300 YD	40	300	1,035	3272109	1,081	3272070	1,445	3265041
040 KME 400 YD	40	400	1,243	3272110	1,289	3272071	1,722	3265042
040 KME 500 YD	40	500	1,450	3272111	1,496	3272072	1,997	3265043
040 KME 600 YD	40	600	1,658	3272112	1,704	3272073	2,273	3265044
050 KME 100 YD	50	100	0,701	3272113	0,755	3272074	1,008	3265045
050 KME 200 YD	50	200	0,920	3272114	0,974	3272075	1,297	3265046
050 KME 300 YD	50	300	1,135	3272115	1,189	3272076	1,587	3265047
050 KME 400 YD	50	400	1,353	3272116	1,407	3272077	1,878	3265048
050 KME 500 YD	50	500	1,571	3272117	1,625	3272078	2,166	3265049
050 KME 600 YD	50	600	1,789	3272118	1,843	3272079	2,457	3265050
060 KME 100 YD	60	100	0,780	3272119	0,842	3272080	1,122	3265051
060 KME 200 YD	60	200	1,008	3272120	1,069	3272081	1,425	3265052
060 KME 300 YD	60	300	1,234	3272121	1,296	3272082	1,730	3265053
060 KME 400 YD	60	400	1,463	3272122	1,525	3272083	2,035	3265054
060 KME 500 YD	60	500	1,692	3272123	1,753	3272084	2,338	3265055
060 KME 600 YD	60	600	1,921	3272124	1,982	3272085	2,643	3265056
075 KME 100 YD	75	100	-	-	0,954	3272086	1,272	3265057
075 KME 200 YD	75	200	-	-	1,199	3272087	1,596	3265058
075 KME 300 YD	75	300	-	-	1,441	3272088	1,923	3265059
075 KME 400 YD	75	400	-	-	1,686	3272089	2,248	3265060
075 KME 500 YD	75	500	-	-	1,931	3272090	2,573	3265061
075 KME 600 YD	75	600	-	-	2,176	3272091	2,900	3265062
100 KME 200 YD	100	200	-	-	1,422	3272092	1,896	3265063
100 KME 300 YD	100	300	-	-	1,692	3272093	2,258	3265064
100 KME 400 YD	100	400	-	-	1,964	3272094	2,621	3265065
100 KME 500 YD	100	500	-	-	2,235	3272095	2,981	3265066
100 KME 600 YD	100	600	-	-	2,507	3272096	3,343	3265067
125 KME 200 YD	125	200	-	-	1,648	3272097	2,196	3265068
125 KME 300 YD	125	300	-	-	1,945	3272098	2,594	3265069
125 KME 400 YD	125	400	-	-	2,243	3272099	2,992	3265070
125 KME 500 YD	125	500	-	-	2,541	3272100	3,388	3265071
125 KME 600 YD	125	600	-	-	2,840	3272101	3,786	3265072
150 KME 200 YD	150	200	-	-	1,873	3272102	2,497	3265073
150 KME 300 YD	150	300	-	-	2,197	3272103	2,930	3265074
150 KME 400 YD	150	400	-	-	2,522	3272104	3,364	3265075
150 KME 500 YD	150	500	-	-	2,848	3272105	3,796	3265076
150 KME 600 YD	150	600	-	-	3,172	3272106	4,230	3265077



- Please contact your representative for inquiries regarding stainless steel alternatives.
- Please indicate product code in your orders.
- Please contact us for special dimensions.
- Material weights may vary by ± 10%

- All dimensions are given as in mm
- PG= Pre-Galvanized
- HDG= Hot Dip Galvanized

Description	H (mm)	AB (mm)	T=1,2		T=1,5		T=2	
			Weight (kg/pcs)	HDG Code	Weight (kg/pcs)	HDG Code	Weight (kg/pcs)	HDG Code
040 KME 100 YD	40	100	0,697	3272185	0,837	3272146	1,154	3265398
040 KME 200 YD	40	200	0,969	3272186	1,142	3272147	1,562	3265399
040 KME 300 YD	40	300	1,536	3272187	1,775	3272148	2,365	3265400
040 KME 400 YD	40	400	1,860	3272188	2,133	3272149	2,906	3265401
040 KME 500 YD	40	500	2,220	3272189	2,527	3272150	3,435	3265402
040 KME 600 YD	40	600	2,641	3272190	2,981	3272151	3,971	3265403
050 KME 100 YD	50	100	0,783	3272191	0,945	3272152	1,170	3265404
050 KME 200 YD	50	200	1,076	3272192	1,276	3272153	1,740	3265405
050 KME 300 YD	50	300	1,663	3272193	1,935	3272154	2,578	3265406
050 KME 400 YD	50	400	2,009	3272194	2,319	3272155	3,155	3265407
050 KME 500 YD	50	500	2,388	3272195	2,738	3272156	3,717	3265408
050 KME 600 YD	50	600	2,830	3272196	3,219	3272157	4,288	3265409
060 KME 100 YD	60	100	0,870	3272197	1,054	3272158	1,442	3265410
060 KME 200 YD	60	200	1,183	3272198	1,410	3272159	1,920	3265411
060 KME 300 YD	60	300	1,791	3272199	2,096	3272160	2,792	3265412
060 KME 400 YD	60	400	2,157	3272200	2,505	3272161	3,402	3265413
060 KME 500 YD	60	500	2,559	3272201	2,949	3272162	4,000	3265414
060 KME 600 YD	60	600	3,021	3272202	3,456	3272163	4,605	3265415
075 KME 100 YD	75	100	-	-	1,198	3272164	1,637	3265416
075 KME 200 YD	75	200	-	-	1,594	3272165	2,165	3265417
075 KME 300 YD	75	300	-	-	2,318	3272166	3,089	3265418
075 KME 400 YD	75	400	-	-	2,767	3272167	3,751	3265419
075 KME 500 YD	75	500	-	-	3,249	3272168	4,400	3265420
075 KME 600 YD	75	600	-	-	3,795	3272169	5,058	3265421
100 KME 200 YD	100	200	-	-	1,912	3272170	2,588	3265422
100 KME 300 YD	100	300	-	-	2,701	3272171	3,598	3265423
100 KME 400 YD	100	400	-	-	3,213	3272172	4,347	3265424
100 KME 500 YD	100	500	-	-	3,762	3272173	5,083	3265425
100 KME 600 YD	100	600	-	-	4,373	3272174	5,826	3265426
125 KME 200 YD	125	200	-	-	2,230	3272175	3,013	3265427
125 KME 300 YD	125	300	-	-	3,082	3272176	4,110	3265428
125 KME 400 YD	125	400	-	-	3,661	3272177	4,945	3265429
125 KME 500 YD	125	500	-	-	4,274	3272178	5,766	3265430
125 KME 600 YD	125	600	-	-	4,949	3272179	6,596	3265431
150 KME 200 YD	150	200	-	-	2,547	3272180	3,435	3265432
150 KME 300 YD	150	300	-	-	3,465	3272181	4,619	3265433
150 KME 400 YD	150	400	-	-	4,107	3272182	5,541	3265434
150 KME 500 YD	150	500	-	-	4,786	3272183	6,448	3265435
150 KME 600 YD	150	600	-	-	5,525	3272184	7,365	3265436



- Please contact your representative for inquiries regarding stainless steel alternatives.
- Please indicate product code in your orders.
- Please contact us for special dimensions.
- Material weights may vary by ± 10%

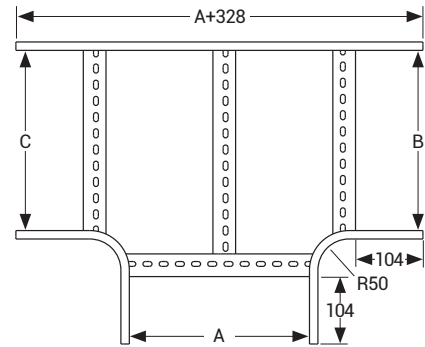
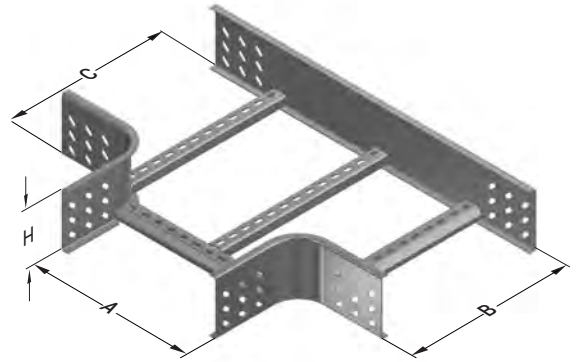
- All dimensions are given as in mm
- PG= Pre-Galvanized
- HDG= Hot Dip Galvanized

## ►► BENDS

### ► KME YT Tee Bend

Hot Dip Galvanized (TS EN ISO 1461)

Description	H (mm)	ABC (mm)	T=1,2		T=1,5		T=2	
			Weight (kg/pcs)	HDG Code	Weight (kg/pcs)	HDG Code	Weight (kg/pcs)	HDG Code
40 KME 100 YT	40	100	0,812	3272263	0,980	3272224	1,309	3265502
40 KME 200 YT	40	200	1,016	3272264	1,201	3272225	1,604	3265503
40 KME 300 YT	40	300	1,447	3272265	1,649	3272226	2,203	3265504
40 KME 400 YT	40	400	1,722	3272266	1,939	3272227	2,591	3265505
40 KME 500 YT	40	500	1,986	3272267	2,220	3272228	2,981	3265506
40 KME 600 YT	40	600	2,269	3272268	2,521	3272229	3,367	3265507
50 KME 100 YT	50	100	0,917	3272269	1,114	3272230	1,492	3265508
50 KME 200 YT	50	200	1,133	3272270	1,349	3272231	1,804	3265509
50 KME 300 YT	50	300	1,574	3272271	1,810	3272232	2,421	3265510
50 KME 400 YT	50	400	1,858	3272272	2,113	3272233	2,827	3265511
50 KME 500 YT	50	500	2,133	3272273	2,407	3272234	3,235	3265512
50 KME 600 YT	50	600	2,428	3272274	2,720	3272235	3,639	3265513
60 KME 100 YT	60	100	1,026	3272275	1,250	3272236	1,671	3265514
60 KME 200 YT	60	200	1,252	3272276	1,497	3272237	2,001	3265515
60 KME 300 YT	60	300	1,703	3272277	1,969	3272238	2,636	3265516
60 KME 400 YT	60	400	1,998	3272278	2,286	3272239	3,058	3265517
60 KME 500 YT	60	500	2,283	3272279	2,593	3272240	3,484	3265518
60 KME 600 YT	60	600	2,587	3272280	2,919	3272241	3,905	3265519
75 KME 100 YT	75	100	-	-	1,426	3272242	1,904	3265520
75 KME 200 YT	75	200	-	-	1,692	3272243	2,261	3265521
75 KME 300 YT	75	300	-	-	2,185	3272244	2,921	3265522
75 KME 400 YT	75	400	-	-	2,520	3272245	3,369	3265523
75 KME 500 YT	75	500	-	-	2,847	3272246	3,820	3265524
75 KME 600 YT	75	600	-	-	3,192	3272247	4,268	3265525
100 KME 200 YT	100	200	-	-	2,026	3272248	2,719	3265526
100 KME 300 YT	100	300	-	-	2,551	3272249	3,423	3265527
100 KME 400 YT	100	400	-	-	2,919	3272250	3,915	3265528
100 KME 500 YT	100	500	-	-	3,278	3272251	4,409	3265529
100 KME 600 YT	100	600	-	-	3,656	3272252	4,899	3265530
125 KME 200 YT	125	200	-	-	2,378	3272253	3,176	3265531
125 KME 300 YT	125	300	-	-	2,935	3272254	3,923	3265532
125 KME 400 YT	125	400	-	-	3,336	3272255	4,457	3265533
125 KME 500 YT	125	500	-	-	3,727	3272256	4,995	3265534
125 KME 600 YT	125	600	-	-	4,137	3272257	5,529	3265535
150 KME 200 YT	150	200	-	-	2,720	3272258	3,634	3265536
150 KME 300 YT	150	300	-	-	3,310	3272259	4,424	3265537
150 KME 400 YT	150	400	-	-	3,743	3272260	5,003	3265538
150 KME 500 YT	150	500	-	-	4,167	3272261	5,584	3265539
150 KME 600 YT	150	600	-	-	4,610	3272262	6,161	3265540

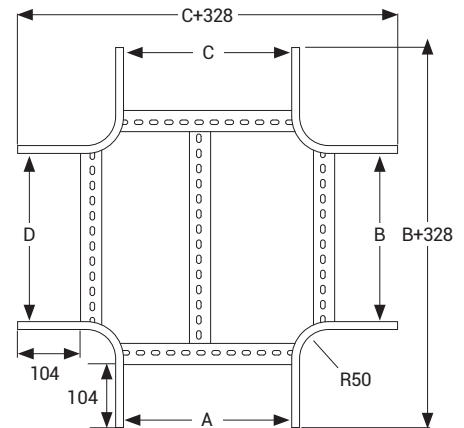
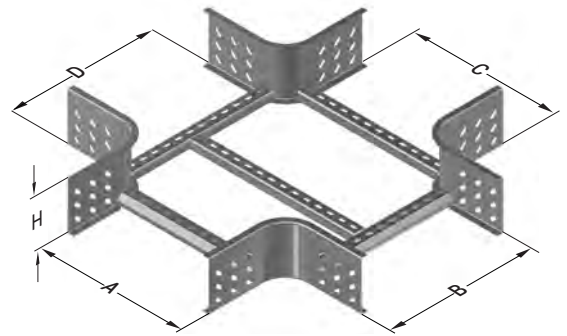


KM

- Please contact your representative for inquiries regarding stainless steel alternatives.
- Please indicate product code in your orders.
- Please contact us for special dimensions.
- Material weights may vary by ± 10%

- All dimensions are given as in mm
- PG= Pre-Galvanized
- HDG= Hot Dip Galvanized

Description	H (mm)	ABCD (mm)	T=1,2		T=1,5		T=2	
			Weight (kg/pcs)	HDG Code	Weight (kg/pcs)	HDG Code	Weight (kg/pcs)	HDG Code
40 KME 100 AD	40	100	1,069	3271872	1,267	3271833	1,694	3265605
40 KME 200 AD	40	200	1,485	3271873	1,720	3271834	2,296	3265606
40 KME 300 AD	40	300	1,832	3271874	2,065	3271835	2,762	3265607
40 KME 400 AD	40	400	2,455	3271875	2,724	3271836	3,641	3265608
40 KME 500 AD	40	500	2,871	3271876	3,144	3271837	4,202	3265609
40 KME 600 AD	40	600	3,287	3271877	3,555	3271838	4,752	3265610
50 KME 100 AD	50	100	1,192	3271878	1,426	3271839	1,905	3265611
50 KME 200 AD	50	200	1,608	3271879	1,879	3271840	2,507	3265612
50 KME 300 AD	50	300	1,955	3271880	2,223	3271841	2,973	3265613
50 KME 400 AD	50	400	2,578	3271881	2,882	3271842	3,852	3265614
50 KME 500 AD	50	500	2,994	3271882	3,302	3271843	4,413	3265615
50 KME 600 AD	50	600	3,410	3271883	3,714	3271844	4,963	3265616
60 KME 100 AD	60	100	1,320	3271884	1,584	3271845	2,116	3265617
60 KME 200 AD	60	200	1,736	3271885	2,037	3271846	2,718	3265618
60 KME 300 AD	60	300	2,082	3271886	2,382	3271847	3,185	3265619
60 KME 400 AD	60	400	2,706	3271887	3,040	3271848	4,063	3265620
60 KME 500 AD	60	500	3,122	3271888	3,461	3271849	4,624	3265621
60 KME 600 AD	60	600	3,538	3271889	3,872	3271850	5,174	3265622
75 KME 100 AD	75	100	-	-	1,786	3271851	2,385	3265623
75 KME 200 AD	75	200	-	-	2,240	3271852	2,987	3265624
75 KME 300 AD	75	300	-	-	2,584	3271853	3,453	3265625
75 KME 400 AD	75	400	-	-	3,243	3271854	4,332	3265626
75 KME 500 AD	75	500	-	-	3,663	3271855	4,893	3265627
75 KME 600 AD	75	600	-	-	4,074	3271856	5,443	3265628
100 KME 200 AD	100	200	-	-	2,600	3271857	3,471	3265629
100 KME 300 AD	100	300	-	-	2,945	3271858	3,937	3265630
100 KME 400 AD	100	400	-	-	3,604	3271859	4,816	3265631
100 KME 500 AD	100	500	-	-	4,024	3271860	5,377	3265632
100 KME 600 AD	100	600	-	-	4,435	3271861	5,927	3265633
125 KME 200 AD	125	200	-	-	2,961	3271862	3,950	3265634
125 KME 300 AD	125	300	-	-	3,306	3271863	4,417	3265635
125 KME 400 AD	125	400	-	-	3,964	3271864	5,295	3265636
125 KME 500 AD	125	500	-	-	4,385	3271865	5,856	3265637
125 KME 600 AD	125	600	-	-	4,796	3271866	6,406	3265638
150 KME 200 AD	150	200	-	-	3,322	3271867	4,434	3265639
150 KME 300 AD	150	300	-	-	3,666	3271868	4,901	3265640
150 KME 400 AD	150	400	-	-	4,325	3271869	5,779	3265641
150 KME 500 AD	150	500	-	-	4,745	3271870	6,340	3265642
150 KME 600 AD	150	600	-	-	5,157	3271871	6,890	3265643



■ Please contact your representative for inquiries regarding stainless steel alternatives.

■ Please indicate product code in your orders.

■ Please contact us for special dimensions.

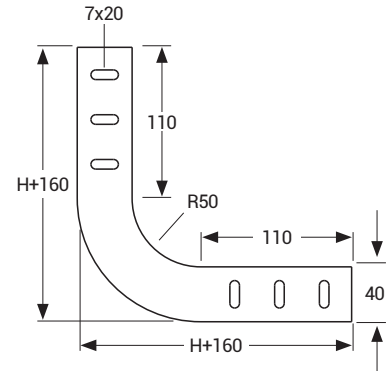
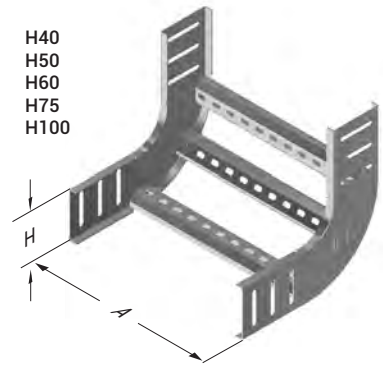
■ Material weights may vary by ± 10%

■ All dimensions are given as in mm

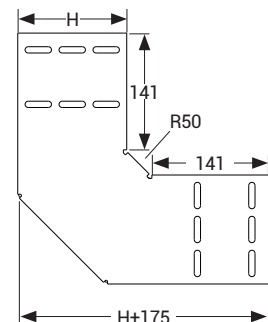
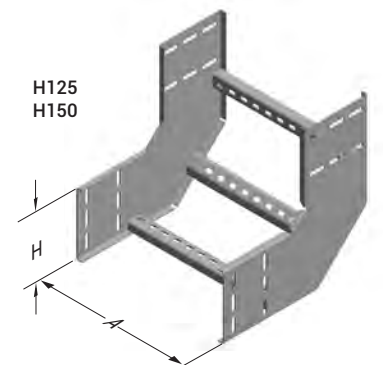
■ PG= Pre-Galvanized

■ HDG= Hot Dip Galvanized

Description	H (mm)	A (mm)	T=1,2		T=1,5		T=2	
			Weight (kg/pcs)	HDG Code	Weight (kg/pcs)	HDG Code	Weight (kg/pcs)	HDG Code
40 KME 100 ID	40	100	0,568	3272029	0,673	3271990	0,898	3265227
40 KME 200 ID	40	200	0,704	3272030	0,810	3271991	1,080	3265228
40 KME 300 ID	40	300	0,843	3272031	0,948	3271992	1,265	3265229
40 KME 400 ID	40	400	0,981	3272032	1,363	3271993	1,818	3265230
40 KME 500 ID	40	500	1,120	3272033	1,571	3271994	2,092	3265231
40 KME 600 ID	40	600	1,256	3272034	1,775	3271995	2,369	3265232
50 KME 100 ID	50	100	0,638	3272035	0,763	3271996	1,019	3265233
50 KME 200 ID	50	200	0,774	3272036	0,900	3271997	1,201	3265234
50 KME 300 ID	50	300	0,913	3272037	1,038	3271998	1,386	3265235
50 KME 400 ID	50	400	1,052	3272038	1,453	3271999	1,939	3265236
50 KME 500 ID	50	500	1,190	3272039	1,661	3272000	2,213	3265237
50 KME 600 ID	50	600	1,327	3272040	1,866	3272001	2,490	3265238
60 KME 100 ID	60	100	0,715	3272041	0,858	3272002	1,144	3265239
60 KME 200 ID	60	200	0,851	3272042	0,994	3272003	1,327	3265240
60 KME 300 ID	60	300	0,990	3272043	1,133	3272004	1,511	3265241
60 KME 400 ID	60	400	1,129	3272044	1,548	3272005	2,065	3265242
60 KME 500 ID	60	500	1,267	3272045	1,756	3272006	2,339	3265243
60 KME 600 ID	60	600	1,404	3272046	1,960	3272007	2,616	3265244
75 KME 100 ID	75	100	-	-	1,005	3272008	1,342	3265245
75 KME 200 ID	75	200	-	-	1,142	3272009	1,525	3265246
75 KME 300 ID	75	300	-	-	1,280	3272010	1,709	3265247
75 KME 400 ID	75	400	-	-	1,695	3272011	2,263	3265248
75 KME 500 ID	75	500	-	-	1,903	3272012	2,537	3265249
75 KME 600 ID	75	600	-	-	2,108	3272013	2,814	3265250
100 KME 200 ID	100	200	-	-	1,410	3272014	1,881	3265251
100 KME 300 ID	100	300	-	-	1,549	3272015	2,066	3265252
100 KME 400 ID	100	400	-	-	1,964	3272016	2,619	3265253
100 KME 500 ID	100	500	-	-	2,171	3272017	2,893	3265254
100 KME 600 ID	100	600	-	-	2,376	3272018	3,170	3265255



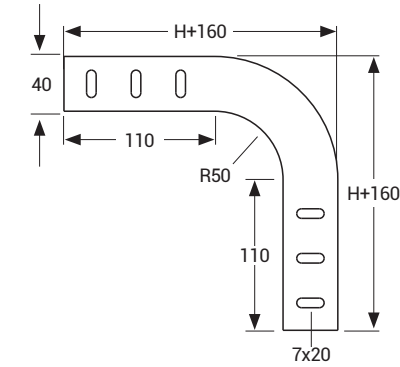
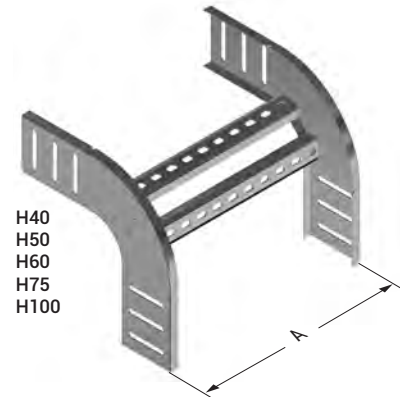
Description	H (mm)	A (mm)	T=1,2		T=1,5		T=2	
			Weight (kg/pcs)	HDG Code	Weight (kg/pcs)	HDG Code	Weight (kg/pcs)	HDG Code
125 KME 200 ID	125	200	-	-	1,979	3272019	2,639	3265256
125 KME 300 ID	125	300	-	-	2,188	3272020	2,917	3265257
125 KME 400 ID	125	400	-	-	2,397	3272021	3,196	3265258
125 KME 500 ID	125	500	-	-	2,605	3272022	3,473	3265259
125 KME 600 ID	125	600	-	-	2,813	3272023	3,751	3265260
150 KME 200 ID	150	200	-	-	2,331	3272024	3,109	3265261
150 KME 300 ID	150	300	-	-	2,540	3272025	3,387	3265262
150 KME 400 ID	150	400	-	-	2,749	3272026	3,665	3265263
150 KME 500 ID	150	500	-	-	2,957	3272027	3,942	3265264
150 KME 600 ID	150	600	-	-	3,166	3272028	4,221	3265265



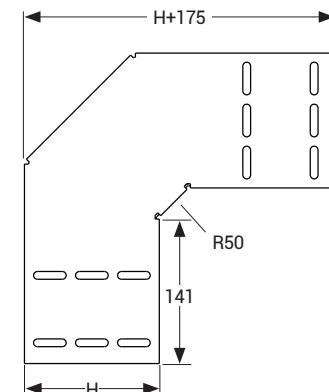
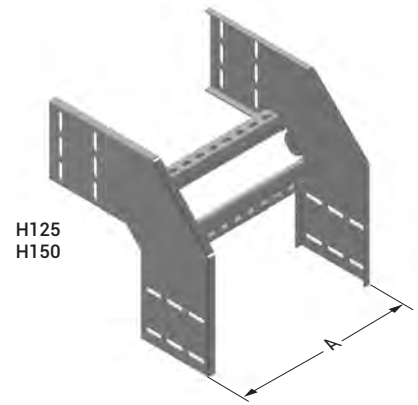
- Please contact your representative for inquiries regarding stainless steel alternatives.
- Please indicate product code in your orders.
- Please contact us for special dimensions.
- Material weights may vary by ± 10%

- All dimensions are given as in mm
- PG= Pre-Galvanized
- HDG= Hot Dip Galvanized

Description	H (mm)	A (mm)	T=1,2		T=1,5		T=2	
			Weight (kg/pcs)	HDG Code	Weight (kg/pcs)	HDG Code	Weight (kg/pcs)	HDG Code
40 KME 100 DD	40	100	0,568	3271951	0,673	3271912	0,898	3265188
40 KME 200 DD	40	200	0,704	3271952	0,810	3271913	1,080	3265189
40 KME 300 DD	40	300	0,843	3271953	0,948	3271914	1,265	3265190
40 KME 400 DD	40	400	0,981	3271954	1,087	3271915	1,450	3265191
40 KME 500 DD	40	500	1,120	3271955	1,225	3271916	1,632	3265192
40 KME 600 DD	40	600	1,256	3271956	1,362	3271917	1,817	3265193
50 KME 100 DD	50	100	0,638	3271957	0,763	3271918	1,019	3265194
50 KME 200 DD	50	200	0,774	3271958	0,900	3271919	1,201	3265195
50 KME 300 DD	50	300	0,913	3271959	1,038	3271920	1,386	3265196
50 KME 400 DD	50	400	1,052	3271960	1,177	3271921	1,571	3265197
50 KME 500 DD	50	500	1,190	3271961	1,316	3271922	1,753	3265198
50 KME 600 DD	50	600	1,327	3271962	1,452	3271923	1,938	3265199
60 KME 100 DD	60	100	0,715	3271963	0,858	3271924	1,144	3265200
60 KME 200 DD	60	200	0,851	3271964	0,994	3271925	1,327	3265201
60 KME 300 DD	60	300	0,990	3271965	1,133	3271926	1,511	3265202
60 KME 400 DD	60	400	1,129	3271966	1,272	3271927	1,696	3265203
60 KME 500 DD	60	500	1,267	3271967	1,410	3271928	1,879	3265204
60 KME 600 DD	60	600	1,404	3271968	1,547	3271929	2,064	3265205
75 KME 100 DD	75	100	-	-	1,005	3271930	1,342	3265206
75 KME 200 DD	75	200	-	-	1,142	3271931	1,525	3265207
75 KME 300 DD	75	300	-	-	1,280	3271932	1,709	3265208
75 KME 400 DD	75	400	-	-	1,419	3271933	1,894	3265209
75 KME 500 DD	75	500	-	-	1,558	3271934	2,077	3265210
75 KME 600 DD	75	600	-	-	1,694	3271935	2,262	3265211
100 KME 200 DD	100	200	-	-	1,410	3271936	1,881	3265212
100 KME 300 DD	100	300	-	-	1,549	3271937	2,066	3265213
100 KME 400 DD	100	400	-	-	1,687	3271938	2,251	3265214
100 KME 500 DD	100	500	-	-	1,826	3271939	2,433	3265215
100 KME 600 DD	100	600	-	-	1,962	3271940	2,618	3265216



Description	H (mm)	A (mm)	T=1,2		T=1,5		T=2	
			Weight (kg/pcs)	HDG Code	Weight (kg/pcs)	HDG Code	Weight (kg/pcs)	HDG Code
125 KME 200 DD	125	200	-	-	1,841	3271941	2,454	3265217
125 KME 300 DD	125	300	-	-	1,979	3271942	2,639	3265218
125 KME 400 DD	125	400	-	-	2,119	3271943	2,825	3265219
125 KME 500 DD	125	500	-	-	2,257	3271944	3,010	3265220
125 KME 600 DD	125	600	-	-	2,397	3271945	3,196	3265221
150 KME 200 DD	150	200	-	-	2,193	3271946	2,924	3265222
150 KME 300 DD	150	300	-	-	2,331	3271947	3,109	3265223
150 KME 400 DD	150	400	-	-	2,471	3271948	3,295	3265224
150 KME 500 DD	150	500	-	-	2,609	3271949	3,479	3265225
150 KME 600 DD	150	600	-	-	2,749	3271950	3,665	3265226



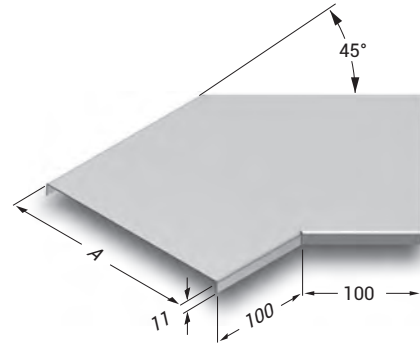
- Please contact your representative for inquiries regarding stainless steel alternatives.
- Please indicate product code in your orders.
- Please contact us for special dimensions.
- Material weights may vary by ± 10%

- All dimensions are given as in mm
- PG= Pre-Galvanized
- HDG= Hot Dip Galvanized

## ►► KME BEND COVER

► KME Horizontal Degree Bend Cover R=50 Hot Dip Galvanized (TS EN ISO 1461)

Description	A (mm)	T=1,2		T=1,5		T=2	
		Weight (kg/pcs)	HDG Code	Weight (kg/pcs)	HDG Code	Weight (kg/pcs)	HDG Code
KME 100 YD COVER	100	0,160	3273700	0,201	3273634	0,273	3265031
KME 200 YD COVER	200	0,384	3273702	0,483	3273636	0,651	3265033
KME 300 YD COVER	300	0,695	3273704	0,872	3273638	1,172	3265035
KME 400 YD COVER	400	1,091	3273705	1,370	3273639	1,835	3265036
KME 500 YD COVER	500	1,574	3273706	1,973	3273640	2,642	3265037
KME 600 YD COVER	600	2,142	3273707	2,684	3273641	3,592	3265038



## ► KME Horizontal Degree Bend (90°) R=50

Hot Dip Galvanized (TS EN ISO 1461)

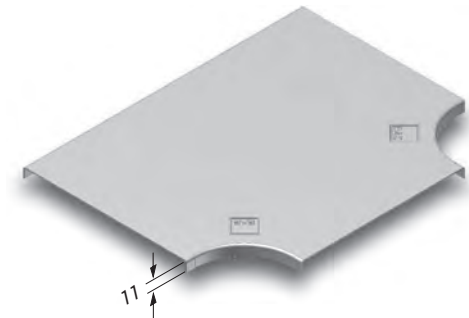
Description	AB (mm)	T=1,2		T=1,5		T=2	
		Weight (kg/pcs)	HDG Code	Weight (kg/pcs)	HDG Code	Weight (kg/pcs)	HDG Code
KME 100 YD COVER	100	0,285	3000463	0,356	3273815	0,477	3265390
KME 200 YD COVER	200	0,745	3000465	0,932	3273817	1,244	3265392
KME 300 YD COVER	300	1,412	3273753	1,767	3000467	2,357	3265394
KME 400 YD COVER	400	2,287	3273754	2,860	3000468	3,816	3265395
KME 500 YD COVER	500	3,368	3273755	4,212	3000469	5,620	3265396
KME 600 YD COVER	600	4,657	3273756	5,823	3273819	7,768	3265397



## ► KME "T" Bend Cover R=50

Hot Dip Galvanized (TS EN ISO 1461)

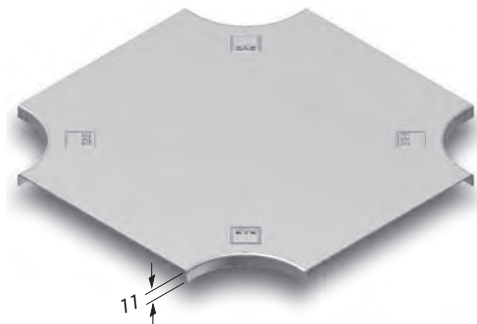
Description	ABC (mm)	T=1,2		T=1,5		T=2	
		Weight (kg/pcs)	HDG Code	Weight (kg/pcs)	HDG Code	Weight (kg/pcs)	HDG Code
KME 100 YT COVER	100	0,354	3000472	0,442	3274256	0,589	3265494
KME 200 YT COVER	200	0,865	3000474	1,080	3274258	1,439	3265496
KME 300 YT COVER	300	1,582	3274196	1,977	3000476	2,633	3265498
KME 400 YT COVER	400	2,512	3274197	3,139	3000477	4,183	3265499
KME 500 YT COVER	500	3,652	3274198	4,564	3000478	6,082	3265500
KME 600 YT COVER	600	4,994	3274199	6,241	3274260	8,317	3265501



## ► KME Cross Over Bend Cover R=50

Hot Dip Galvanized (TS EN ISO 1461)

Description	ABCD (mm)	T=1,2		T=1,5		T=2	
		Weight (kg/pcs)	HDG Code	Weight (kg/pcs)	HDG Code	Weight (kg/pcs)	HDG Code
KME 100 AD COVER	100	0,422	3000481	0,528	3272383	0,704	3265597
KME 200 AD COVER	200	0,981	3000483	1,227	3272385	1,637	3265599
KME 300 AD COVER	300	1,748	3272336	2,186	3000485	2,914	3265601
KME 400 AD COVER	400	2,723	3272337	3,403	3000486	4,538	3265602
KME 500 AD COVER	500	3,904	3272338	4,880	3000487	5,715	3265603
KME 600 AD COVER	600	5,292	3272339	6,615	3272387	8,821	3265604



- Please contact your representative for inquiries regarding stainless steel alternatives.
- Please indicate product code in your orders.
- Please contact us for special dimensions.
- Material weights may vary by ± 10%

- All dimensions are given as in mm
- PG= Pre-Galvanized
- HDG= Hot Dip Galvanized

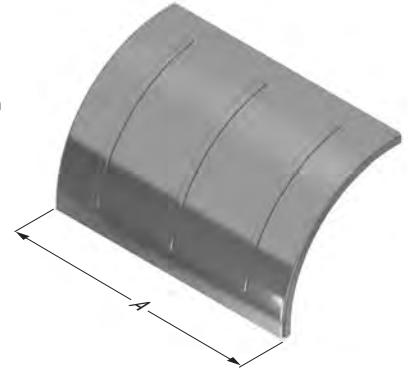
## ►► KME BEND COVER

### ► KME Vertical Outside Bend (90°)

Hot Dip Galvanized (TS EN ISO 1461)

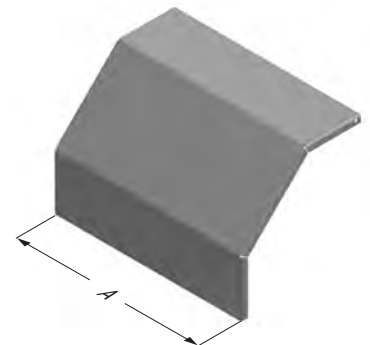
Description	H (mm)	A (mm)	T=1,2		T=1,5		T=2	
			Weight (kg/pcs)	HDG Code	Weight (kg/pcs)	HDG Code	Weight (kg/pcs)	HDG Code
40 KME 100 DD	40	100	0,207	3273018	0,259	3272908	0,345	3265134
40 KME 200 DD	40	200	0,375	3273020	0,469	3272910	0,626	3265136
40 KME 300 DD	40	300	0,543	3273022	0,680	3272912	0,908	3265138
40 KME 400 DD	40	400	0,712	3273023	0,890	3272913	1,188	3265139
40 KME 500 DD	40	500	0,880	3273024	1,100	3272914	1,469	3265140
40 KME 600 DD	40	600	1,045	3273025	1,308	3272915	1,746	3265141
50 KME 100 DD	50	100	0,227	3273027	0,284	3272917	0,381	3265143
50 KME 200 DD	50	200	0,413	3273029	0,515	3272919	0,688	3265145
50 KME 300 DD	50	300	0,597	3273031	0,746	3272921	0,997	3265147
50 KME 400 DD	50	400	0,782	3273032	0,978	3272922	1,305	3265148
50 KME 500 DD	50	500	0,967	3273033	1,209	3272923	1,613	3265149
50 KME 600 DD	50	600	1,148	3273034	1,437	3272924	1,917	3265150
60 KME 100 DD	60	100	0,248	3273035	0,310	3272925	0,414	3265151
60 KME 200 DD	60	200	0,449	3273037	0,562	3272927	0,749	3265153
60 KME 300 DD	60	300	0,650	3273039	0,814	3272929	1,086	3265155
60 KME 400 DD	60	400	0,853	3273040	1,065	3272930	1,421	3265156
60 KME 500 DD	60	500	1,054	3273041	1,317	3272931	1,757	3265157
60 KME 600 DD	60	600	1,252	3273042	1,565	3272932	2,089	3265158
75 KME 100 DD	75	100	0,278	3273043	0,349	3272933	0,465	3265159
75 KME 200 DD	75	200	0,505	3273045	0,631	3272935	0,842	3265161
75 KME 300 DD	75	300	0,732	3273047	0,914	3272937	1,219	3265163
75 KME 400 DD	75	400	0,958	3273048	1,197	3272938	1,595	3265164
75 KME 500 DD	75	500	1,184	3273049	1,480	3272939	1,972	3265165
75 KME 600 DD	75	600	1,407	3273050	1,759	3272940	2,345	3265166
100 KME 200 DD	100	200	0,597	3273053	0,747	3272943	0,997	3265169
100 KME 300 DD	100	300	0,866	3273055	1,081	3272945	1,442	3265171
100 KME 400 DD	100	400	1,133	3273056	1,416	3272946	1,888	3265172
100 KME 500 DD	100	500	1,401	3273057	1,751	3272947	2,333	3265173
100 KME 600 DD	100	600	1,665	3273058	2,080	3272948	2,774	3265174

H40  
H50  
H60  
H75  
H100



Description	H (mm)	A (mm)	T=1,2		T=1,5		T=2	
			Weight (kg/pcs)	HDG Code	Weight (kg/pcs)	HDG Code	Weight (kg/pcs)	HDG Code
125 KME DD R50-200	125	200	0,691	3273060	0,961	3272950	1,282	3265176
125 KME DD R50-300	125	300	1,000	3273062	1,389	3272952	1,852	3265178
125 KME DD R50-400	125	400	1,309	3273063	1,817	3272953	2,422	3265179
125 KME DD R50-500	125	500	1,619	3273064	2,245	3272954	2,993	3265180
125 KME DD R50-600	125	600	1,923	3273065	2,673	3272955	3,564	3265181
150 KME DD R50-200	150	200	0,783	3273066	1,082	3272956	1,442	3265182
150 KME DD R50-300	150	300	1,134	3273068	1,563	3272958	2,085	3265184
150 KME DD R50-400	150	400	1,485	3273069	2,045	3272959	2,727	3265185
150 KME DD R50-500	150	500	1,836	3273070	2,527	3272960	3,369	3265186
150 KME DD R50-600	150	600	2,181	3273071	3,009	3272961	4,012	3265187

H125  
H150



■ Please contact your representative for inquiries regarding stainless steel alternatives.

■ Please indicate product code in your orders.

■ Please contact us for special dimensions.

■ Material weights may vary by  $\pm 10\%$

■ All dimensions are given as in mm

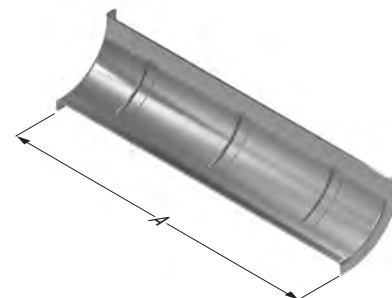
■ PG= Pre-Galvanized

■ HDG= Hot Dip Galvanized



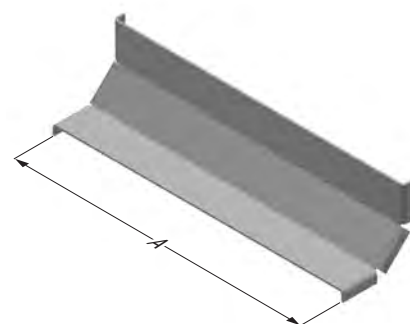
Description	A (mm)	T=1,2		T=1,5		T=2	
		Weight (kg/pcs)	HDG Code	Weight (kg/pcs)	HDG Code	Weight (kg/pcs)	HDG Code
KME 100 ID COVER	100	0,112	3273197	0,140	3273133	0,185	3265266
KME 200 ID COVER	200	0,200	3273199	0,250	3273135	0,331	3265267
KME 300 ID COVER	300	0,289	3273201	0,360	3273137	0,477	3265268
KME 400 ID COVER	400	0,377	3273202	0,471	3273138	0,624	3265269
KME 500 ID COVER	500	0,466	3273203	0,581	3273139	0,770	3265270
KME 600 ID COVER	600	0,556	3273204	0,691	3273140	0,916	3265271

H40  
H50  
H60  
H75  
H100



Description	A (mm)	T=1,2		T=1,5		T=2	
		Weight (kg/pcs)	HDG Code	Weight (kg/pcs)	HDG Code	Weight (kg/pcs)	HDG Code
125-150 KME 200 ID COVER	200	-	-	0,332	3305487	0,442	3265273
125-150 KME 300 ID COVER	300	-	-	0,479	3305489	0,639	3265275
125-150 KME 400 ID COVER	400	-	-	0,628	3305490	0,837	3265276
125-150 KME 500 ID COVER	500	-	-	0,776	3305491	1,034	3265277
125-150 KME 600 ID COVER	600	-	-	0,924	3305492	1,232	3265278

H125  
H150



- Please contact your representative for inquiries regarding stainless steel alternatives.
- Please indicate product code in your orders.
- Please contact us for special dimensions.
- Material weights may vary by  $\pm 10\%$

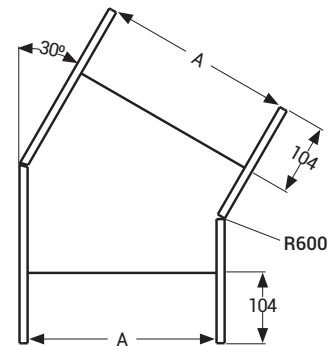
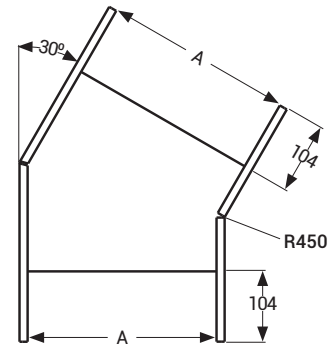
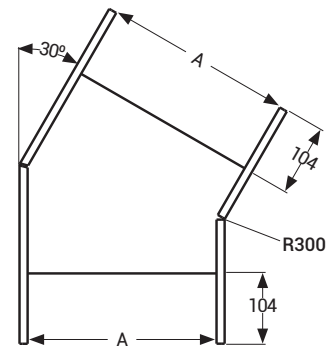
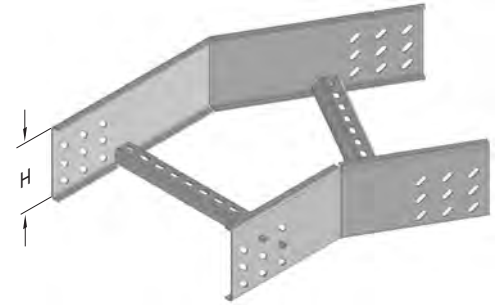
- All dimensions are given as in mm
- PG= Pre-Galvanized
- HDG= Hot Dip Galvanized

## ►► BENDS

### ► KME Horizontal Degree Bend (30°) (R300, R450, R600)

Hot Dip Galvanized (TS EN ISO 1461)

Description	H (mm)	A (mm)	T (mm)	R=300		R=450		R=600	
				Weight (kg/pcs)	HDG Code	Weight (kg/pcs)	HDG Code	Weight (kg/pcs)	HDG Code
040 KME 100 YD	40	100	2	1,012	3294303	1,186	3294342	1,359	3294381
040 KME 200 YD	40	200	2	1,255	3294304	1,429	3294343	1,602	3294382
040 KME 300 YD	40	300	2	1,498	3294305	1,672	3294344	2,133	3294383
040 KME 400 YD	40	400	2	1,741	3294306	2,296	3294345	2,468	3294384
040 KME 500 YD	40	500	2	1,984	3294307	2,644	3294346	2,809	3294385
040 KME 600 YD	40	600	2	2,228	3294308	2,980	3294347	3,150	3294386
050 KME 100 YD	50	100	2	1,150	3294309	1,351	3294348	1,551	3294387
050 KME 200 YD	50	200	2	1,401	3294310	1,603	3294349	1,804	3294388
050 KME 300 YD	50	300	2	1,654	3294311	2,156	3294350	2,344	3294389
050 KME 400 YD	50	400	2	1,906	3294312	2,501	3294351	2,690	3294390
050 KME 500 YD	50	500	2	2,158	3294313	2,847	3294352	3,039	3294391
050 KME 600 YD	50	600	2	2,411	3294314	3,191	3294353	3,389	3294392
060 KME 100 YD	60	100	2	1,286	3294315	1,515	3294354	1,744	3294393
060 KME 200 YD	60	200	2	1,548	3294316	1,777	3294355	2,005	3294394
060 KME 300 YD	60	300	2	1,810	3294317	2,340	3294356	2,555	3294395
060 KME 400 YD	60	400	2	2,071	3294318	2,694	3294357	2,910	3294396
060 KME 500 YD	60	500	2	2,333	3294319	3,048	3294358	3,269	3294397
060 KME 600 YD	60	600	2	2,595	3294320	3,402	3294359	3,628	3294398
075 KME 100 YD	75	100	2	1,469	3294321	1,739	3294360	2,010	3294399
075 KME 200 YD	75	200	2	1,745	3294322	2,015	3294361	2,286	3294400
075 KME 300 YD	75	300	2	2,020	3294323	2,592	3294362	2,849	3294401
075 KME 400 YD	75	400	2	2,296	3294324	2,960	3294363	3,216	3294402
075 KME 500 YD	75	500	2	2,571	3294325	3,328	3294364	3,590	3294403
075 KME 600 YD	75	600	2	2,847	3294326	3,696	3294365	3,963	3294404
100 KME 200 YD	100	200	2	2,087	3294327	2,427	3294366	2,767	3294405
100 KME 300 YD	100	300	2	2,386	3294328	3,027	3294367	3,354	3294406
100 KME 400 YD	100	400	2	2,684	3294329	3,418	3294368	3,744	3294407
100 KME 500 YD	100	500	2	2,983	3294330	3,809	3294369	4,142	3294408
100 KME 600 YD	100	600	2	3,281	3294331	4,201	3294370	4,538	3294409
125 KME 200 YD	125	200	2	2,430	3294332	2,839	3294371	3,248	3294410
125 KME 300 YD	125	300	2	2,751	3294333	3,462	3294372	3,858	3294411
125 KME 400 YD	125	400	2	3,073	3294334	3,876	3294373	4,272	3294412
125 KME 500 YD	125	500	2	3,395	3294335	4,291	3294374	4,692	3294413
125 KME 600 YD	125	600	2	3,717	3294336	4,706	3294375	5,112	3294414
150 KME 200 YD	150	200	2	2,772	3294337	3,252	3294376	3,730	3294415
150 KME 300 YD	150	300	2	3,117	3294338	3,897	3294377	4,363	3294416
150 KME 400 YD	150	400	2	3,462	3294339	4,335	3294378	4,800	3294417
150 KME 500 YD	150	500	2	3,807	3294340	4,773	3294379	5,243	3294418
150 KME 600 YD	150	600	2	4,153	3294341	5,210	3294380	5,685	3294419



■ Please contact your representative for inquiries regarding stainless steel alternatives.

■ Please indicate product code in your orders.

■ Please contact us for special dimensions.

■ Material weights may vary by ± 10%

■ All dimensions are given as in mm

■ PG= Pre-Galvanized

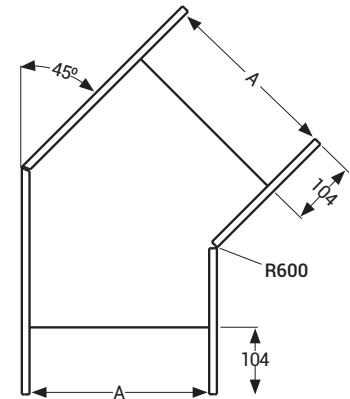
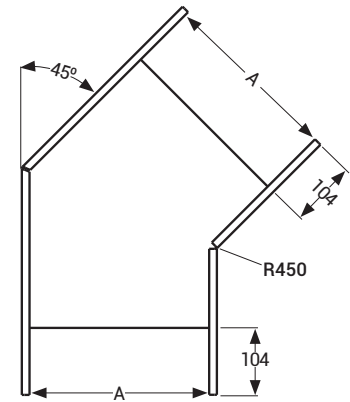
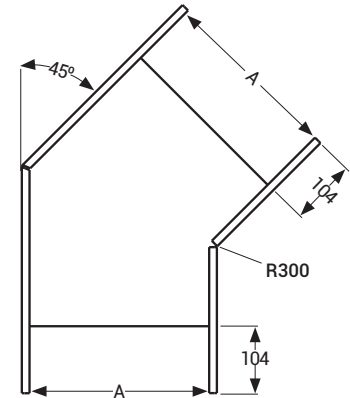
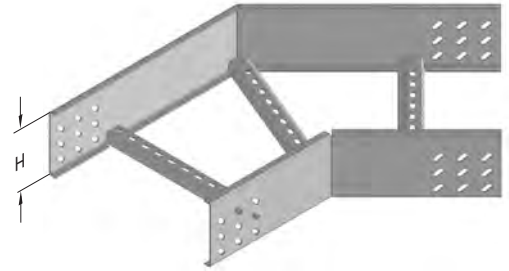
■ HDG= Hot Dip Galvanized

## ►► BENDS

### ► KME Horizontal 45° Degree Bend (R300, R450, R600)

Hot Dip Galvanized (TS EN ISO 1461)

Description	H (mm)	A (mm)	T (mm)	R=300		R=450		R=600	
				Weight (kg/pcs)	HDG Code	Weight (kg/pcs)	HDG Code	Weight (kg/pcs)	HDG Code
040 KME 100 YD	40	100	2	1,233	3003724	1,598	3003754	1,867	3003784
040 KME 200 YD	40	200	2	1,708	3003725	1,976	3003755	2,244	3003785
040 KME 300 YD	40	300	2	2,083	3003726	2,352	3003756	2,874	3003786
040 KME 400 YD	40	400	2	2,451	3003727	2,719	3003757	3,334	3003787
040 KME 500 YD	40	500	2	2,827	3003728	3,095	3003758	3,794	3003788
040 KME 600 YD	40	600	2	3,199	3003729	3,996	3003759	4,265	3003789
050 KME 100 YD	50	100	2	1,406	3003730	1,814	3003760	2,125	3003790
050 KME 200 YD	50	200	2	1,895	3003731	2,206	3003761	2,517	3003791
050 KME 300 YD	50	300	2	2,285	3003732	2,596	3003762	3,161	3003792
050 KME 400 YD	50	400	2	2,666	3003733	2,978	3003763	3,636	3003793
050 KME 500 YD	50	500	2	3,057	3003734	3,368	3003764	4,110	3003794
050 KME 600 YD	50	600	2	3,443	3003735	4,283	3003765	4,595	3003795
060 KME 100 YD	60	100	2	1,579	3003736	2,030	3003766	2,384	3003796
060 KME 200 YD	60	200	2	2,082	3003737	2,435	3003767	2,790	3003797
060 KME 300 YD	60	300	2	2,486	3003738	2,840	3003768	3,449	3003798
060 KME 400 YD	60	400	2	2,882	3003739	3,236	3003769	3,937	3003799
060 KME 500 YD	60	500	2	3,287	3003740	3,641	3003770	4,425	3003800
060 KME 600 YD	60	600	2	3,687	3003741	4,571	3003771	4,924	3003801
075 KME 100 YD	75	100	2	1,814	3003742	2,330	3003772	2,748	3003802
075 KME 200 YD	75	200	2	2,339	3003743	2,758	3003773	3,176	3003803
075 KME 300 YD	75	300	2	2,764	3003744	3,183	3003774	3,856	3003804
075 KME 400 YD	75	400	2	3,182	3003745	3,600	3003775	4,366	3003805
075 KME 500 YD	75	500	2	3,609	3003746	4,027	3003776	4,876	3003806
075 KME 600 YD	75	600	2	4,030	3003747	4,978	3003777	5,396	3003807
100 KME 200 YD	100	200	2	2,783	3003749	3,309	3003779	3,835	3003809
100 KME 300 YD	100	300	2	3,245	3003750	3,770	3003780	4,551	3003810
100 KME 400 YD	100	400	2	3,698	3003751	4,223	3003781	5,096	3003811
100 KME 500 YD	100	500	2	4,160	3003752	4,686	3003782	5,642	3003812
100 KME 600 YD	100	600	2	4,618	3003753	5,673	3003783	6,197	3003813
125 KME 200 YD	125	200	2	3,227	3000646	3,860	3000656	4,494	3000666
125 KME 300 YD	125	300	2	3,725	3000647	4,357	3000657	5,245	3000667
125 KME 400 YD	125	400	2	4,214	3000648	4,847	3000658	5,827	3000668
125 KME 500 YD	125	500	2	4,711	3000649	5,345	3000659	6,409	3000669
125 KME 600 YD	125	600	2	5,205	3000650	6,367	3000660	6,999	3000670
150 KME 200 YD	150	200	2	3,672	3000651	4,412	3000661	5,151	3000671
150 KME 300 YD	150	300	2	4,204	3000652	4,945	3000662	5,940	3000672
150 KME 400 YD	150	400	2	4,729	3000653	5,469	3000663	6,557	3000673
150 KME 500 YD	150	500	2	5,264	3000654	6,004	3000664	7,174	3000674
150 KME 600 YD	150	600	2	5,793	3000655	7,062	3000665	7,801	3000675



KM

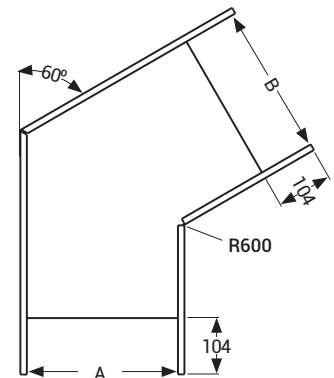
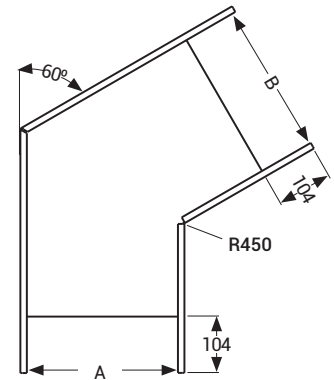
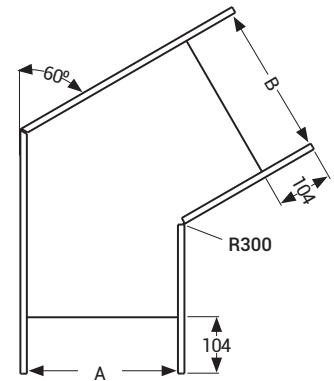
- Please contact your representative for inquiries regarding stainless steel alternatives.
- Please indicate product code in your orders.
- Please contact us for special dimensions.
- Material weights may vary by ± 10%

- All dimensions are given as in mm
- PG= Pre-Galvanized
- HDG= Hot Dip Galvanized

## ►► BENDS

### ► KME Horizontal Degree Bend (60°) (R300, R450, R600) Hot Dip Galvanized (TS EN ISO 1461)

Description	H (mm)	A (mm)	T (mm)	R=300		R=450		R=600	
				Weight (kg/pcs)	HDG Code	Weight (kg/pcs)	HDG Code	Weight (kg/pcs)	HDG Code
040 KME 100 YD	40	100	2	1,572	3294420	2,038	3294459	2,411	3294498
040 KME 200 YD	40	200	2	1,975	3294421	2,533	3294460	2,907	3294499
040 KME 300 YD	40	300	2	2,400	3294422	3,028	3294461	3,402	3294500
040 KME 400 YD	40	400	2	3,197	3294423	3,523	3294462	3,897	3294501
040 KME 500 YD	40	500	2	3,692	3294424	4,019	3294463	4,392	3294502
040 KME 600 YD	40	600	2	4,187	3294425	4,514	3294464	5,526	3294503
050 KME 100 YD	50	100	2	1,784	3294426	2,310	3294465	2,743	3294504
050 KME 200 YD	50	200	2	2,207	3294427	2,825	3294466	3,258	3294505
050 KME 300 YD	50	300	2	2,652	3294428	3,341	3294467	3,774	3294506
050 KME 400 YD	50	400	2	3,468	3294429	3,856	3294468	4,289	3294507
050 KME 500 YD	50	500	2	3,984	3294430	4,370	3294469	4,804	3294508
050 KME 600 YD	50	600	2	4,499	3294431	4,886	3294470	5,958	3294509
060 KME 100 YD	60	100	2	1,997	3294432	2,583	3294471	3,076	3294510
060 KME 200 YD	60	200	2	2,439	3294433	3,117	3294472	3,610	3294511
060 KME 300 YD	60	300	2	2,904	3294434	3,652	3294473	4,146	3294512
060 KME 400 YD	60	400	2	3,741	3294435	4,188	3294474	4,681	3294513
060 KME 500 YD	60	500	2	4,276	3294436	4,722	3294475	5,215	3294514
060 KME 600 YD	60	600	2	4,810	3294437	5,258	3294476	6,390	3294515
075 KME 100 YD	75	100	2	2,291	3294438	2,968	3294477	3,550	3294516
075 KME 200 YD	75	200	2	2,764	3294439	3,532	3294478	4,115	3294517
075 KME 300 YD	75	300	2	3,259	3294440	4,098	3294479	4,681	3294518
075 KME 400 YD	75	400	2	4,126	3294441	4,662	3294480	5,245	3294519
075 KME 500 YD	75	500	2	4,690	3294442	5,227	3294481	5,810	3294520
075 KME 600 YD	75	600	2	5,256	3294443	5,793	3294482	7,014	3294521
100 KME 200 YD	100	200	2	3,322	3294444	4,239	3294483	4,972	3294522
100 KME 300 YD	100	300	2	4,168	3294445	4,854	3294484	5,587	3294523
100 KME 400 YD	100	400	2	4,783	3294446	5,469	3294485	6,202	3294524
100 KME 500 YD	100	500	2	5,398	3294447	6,084	3294486	6,816	3294525
100 KME 600 YD	100	600	2	6,013	3294448	6,699	3294487	8,070	3294526
125 KME 200 YD	125	200	2	3,879	3294449	4,946	3294488	5,828	3294527
125 KME 300 YD	125	300	2	4,775	3294450	5,611	3294489	6,493	3294528
125 KME 400 YD	125	400	2	5,440	3294451	6,276	3294490	7,158	3294529
125 KME 500 YD	125	500	2	6,105	3294452	6,940	3294491	7,822	3294530
125 KME 600 YD	125	600	2	6,769	3294453	7,604	3294492	9,126	3294531
150 KME 200 YD	150	200	2	4,436	3294454	5,653	3294493	6,685	3294532
150 KME 300 YD	150	300	2	5,382	3294455	6,368	3294494	7,399	3294533
150 KME 400 YD	150	400	2	6,097	3294456	7,082	3294495	8,114	3294534
150 KME 500 YD	150	500	2	6,811	3294457	7,797	3294496	8,829	3294535
150 KME 600 YD	150	600	2	7,526	3294458	8,511	3294497	10,182	3294536



- Please contact your representative for inquiries regarding stainless steel alternatives.
- Please indicate product code in your orders.
- Please contact us for special dimensions.
- Material weights may vary by ± 10%

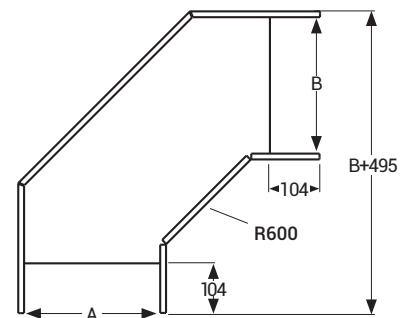
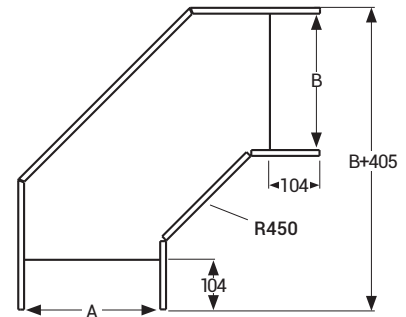
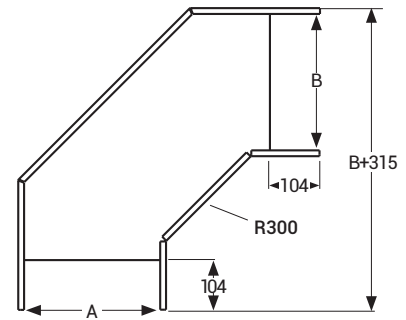
- All dimensions are given as in mm
- PG= Pre-Galvanized
- HDG= Hot Dip Galvanized

## ►► BENDS

### ► KME Horizontal Degree Bend (90°) (R300, R450, R600)

Hot Dip Galvanized (TS EN ISO 1461)

Description	H (mm)	AB (mm)	T (mm)	R=300		R=450		R=600	
				Weight (kg/pcs)	HDG Code	Weight (kg/pcs)	HDG Code	Weight (kg/pcs)	HDG Code
040 KME 100 YD	40	100	2	1,575	3003814	1,843	3003844	2,111	3003874
040 KME 200 YD	40	200	2	2,032	3003815	2,299	3003845	2,752	3003875
040 KME 300 YD	40	300	2	2,488	3003816	3,034	3003846	3,302	3003876
040 KME 400 YD	40	400	2	3,315	3003817	3,604	3003847	4,222	3003877
040 KME 500 YD	40	500	2	3,864	3003818	4,626	3003848	4,894	3003878
040 KME 600 YD	40	600	2	5,044	3003819	5,278	3003849	5,553	3003879
050 KME 100 YD	50	100	2	1,788	3003820	2,099	3003850	2,409	3003880
050 KME 200 YD	50	200	2	2,273	3003821	2,584	3003851	3,080	3003881
050 KME 300 YD	50	300	2	2,758	3003822	3,347	3003852	3,658	3003882
050 KME 400 YD	50	400	2	3,661	3003823	3,945	3003853	4,607	3003883
050 KME 500 YD	50	500	2	4,257	3003824	4,996	3003854	5,306	3003884
050 KME 600 YD	50	600	2	5,419	3003825	5,676	3003855	5,994	3003885
060 KME 100 YD	60	100	2	2,001	3003826	2,354	3003856	2,708	3003886
060 KME 200 YD	60	200	2	2,515	3003827	2,868	3003857	3,407	3003887
060 KME 300 YD	60	300	2	3,028	3003828	3,660	3003858	4,014	3003888
060 KME 400 YD	60	400	2	3,959	3003829	4,287	3003859	4,991	3003889
060 KME 500 YD	60	500	2	4,584	3003830	5,366	3003860	5,720	3003890
060 KME 600 YD	60	600	2	5,774	3003831	6,075	3003861	6,436	3003891
075 KME 100 YD	75	100	2	2,297	3003832	2,715	3003862	3,133	3003892
075 KME 200 YD	75	200	2	2,853	3003833	3,271	3003863	3,875	3003893
075 KME 300 YD	75	300	2	3,411	3003834	4,106	3003864	4,525	3003894
075 KME 400 YD	75	400	2	4,385	3003835	4,776	3003865	5,545	3003895
075 KME 500 YD	75	500	2	5,052	3003836	5,898	3003866	6,317	3003896
075 KME 600 YD	75	600	2	6,285	3003837	6,651	3003867	7,075	3003897
100 KME 200 YD	100	200	2	3,434	3003839	3,960	3003869	4,671	3003899
100 KME 300 YD	100	300	2	4,063	3003840	4,866	3003870	5,392	3003900
100 KME 400 YD	100	400	2	5,108	3003841	5,608	3003871	6,483	3003901
100 KME 500 YD	100	500	2	5,848	3003842	6,801	3003872	7,327	3003902
100 KME 600 YD	100	600	2	7,152	3003843	7,625	3003873	8,158	3003903
125 KME 200 YD	125	200	2	4,016	3000676	4,649	3000686	5,467	3000696
125 KME 300 YD	125	300	2	4,716	3000677	5,627	3000687	6,259	3000697
125 KME 400 YD	125	400	2	5,832	3000678	6,438	3000688	7,422	3000698
125 KME 500 YD	125	500	2	6,643	3000679	7,704	3000689	8,337	3000699
125 KME 600 YD	125	600	2	8,020	3000680	8,600	3000690	9,239	3000700
150 KME 200 YD	150	200	2	4,597	3000681	5,336	3000691	6,262	3000701
150 KME 300 YD	150	300	2	5,368	3000682	6,386	3000692	7,126	3000702
150 KME 400 YD	150	400	2	6,556	3000683	7,270	3000693	8,361	3000703
150 KME 500 YD	150	500	2	7,439	3000684	8,608	3000694	9,347	3000704
150 KME 600 YD	150	600	2	8,887	3000685	9,573	3000695	10,320	3000705



KM

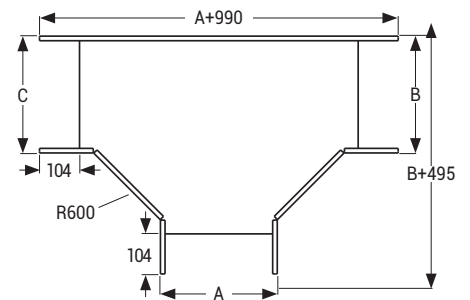
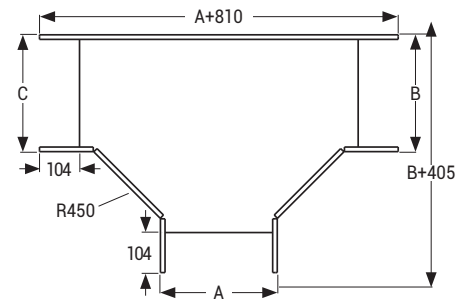
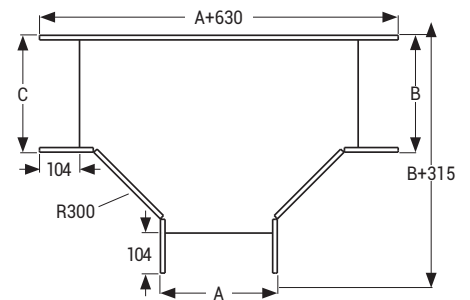
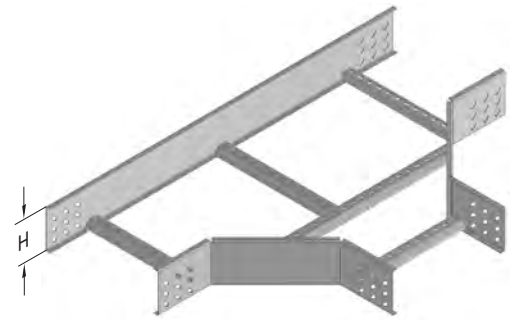
- Please contact your representative for inquiries regarding stainless steel alternatives.
- Please indicate product code in your orders.
- Please contact us for special dimensions.
- Material weights may vary by ± 10%

- All dimensions are given as in mm
- PG= Pre-Galvanized
- HDG= Hot Dip Galvanized

## ►► BENDS

► KME YT Tee Bend (R300, R450, R600)  
Hot Dip Galvanized (TS EN ISO 1461)

Description	H (mm)	ABC (mm)	T (mm)	R=300		R=450		R=600	
				Weight (kg/pcs)	HDG Code	Weight (kg/pcs)	HDG Code	Weight (kg/pcs)	HDG Code
040 KME 100 YT	40	100	2	2,659	3003904	3,279	3003934	3,992	3003964
040 KME 200 YT	40	200	2	3,230	3003905	3,850	3003935	4,656	3003965
040 KME 300 YT	40	300	2	3,801	3003906	4,699	3003936	5,319	3003966
040 KME 400 YT	40	400	2	4,373	3003907	5,364	3003937	5,982	3003967
040 KME 500 YT	40	500	2	5,407	3003908	6,027	3003938	7,109	3003968
040 KME 600 YT	40	600	2	6,071	3003909	6,691	3003939	7,866	3003969
050 KME 100 YT	50	100	2	2,970	3003910	3,663	3003940	4,450	3003970
050 KME 200 YT	50	200	2	3,557	3003911	4,252	3003941	5,130	3003971
050 KME 300 YT	50	300	2	4,145	3003912	5,118	3003942	5,809	3003972
050 KME 400 YT	50	400	2	4,734	3003913	5,799	3003943	6,491	3003973
050 KME 500 YT	50	500	2	5,787	3003914	6,480	3003944	7,635	3003974
050 KME 600 YT	50	600	2	6,468	3003915	7,161	3003945	8,408	3003975
060 KME 100 YT	60	100	2	3,280	3003916	4,047	3003946	4,906	3003976
060 KME 200 YT	60	200	2	3,885	3003917	4,652	3003947	5,605	3003977
060 KME 300 YT	60	300	2	4,490	3003918	5,536	3003948	6,301	3003978
060 KME 400 YT	60	400	2	5,097	3003919	6,235	3003949	6,999	3003979
060 KME 500 YT	60	500	2	6,167	3003920	6,933	3003950	8,161	3003980
060 KME 600 YT	60	600	2	6,864	3003921	7,620	3003951	8,952	3003981
075 KME 100 YT	75	100	2	3,711	3003922	4,588	3003952	5,558	3003982
075 KME 200 YT	75	200	2	4,343	3003923	5,221	3003953	6,282	3003983
075 KME 300 YT	75	300	2	4,974	3003924	6,130	3003954	7,005	3003984
075 KME 400 YT	75	400	2	5,607	3003925	6,854	3003955	7,729	3003985
075 KME 500 YT	75	500	2	6,701	3003926	7,578	3003956	8,917	3003986
075 KME 600 YT	75	600	2	7,426	3003927	8,292	3003957	9,734	3003987
100 KME 200 YT	100	200	2	5,128	3003929	6,189	3003959	7,434	3003989
100 KME 300 YT	100	300	2	5,803	3003930	7,142	3003960	8,199	3003990
100 KME 400 YT	100	400	2	6,479	3003931	7,909	3003961	8,967	3003991
100 KME 500 YT	100	500	2	7,616	3003932	8,677	3003962	10,198	3003992
100 KME 600 YT	100	600	2	8,384	3003933	9,445	3003963	11,058	3003993
125 KME 200 YT	125	200	2	5,915	3000706	7,158	3000716	8,587	3000726
125 KME 300 YT	125	300	2	6,632	3000707	8,153	3000717	9,395	3000727
125 KME 400 YT	125	400	2	7,350	3000708	8,964	3000718	10,206	3000728
125 KME 500 YT	125	500	2	8,532	3000709	9,775	3000719	11,480	3000729
125 KME 600 YT	125	600	2	9,342	3000710	10,585	3000720	12,383	3000730
150 KME 200 YT	150	200	2	6,700	3000711	8,127	3000721	9,738	3000731
150 KME 300 YT	150	300	2	7,460	3000712	9,165	3000722	10,590	3000732
150 KME 400 YT	150	400	2	8,223	3000713	10,020	3000723	11,444	3000733
150 KME 500 YT	150	500	2	9,447	3000714	10,874	3000724	12,761	3000734
150 KME 600 YT	150	600	2	10,300	3000715	11,727	3000725	13,707	3000735



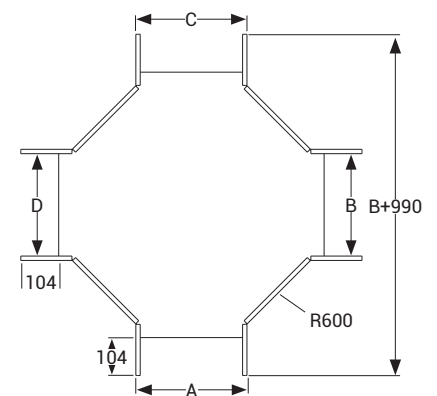
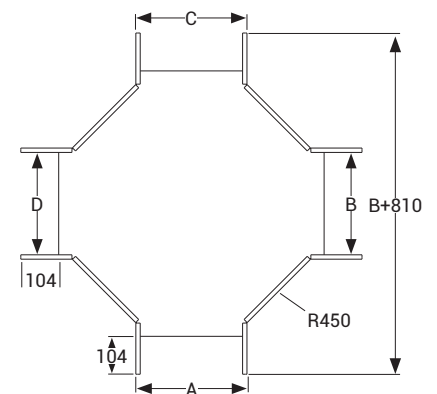
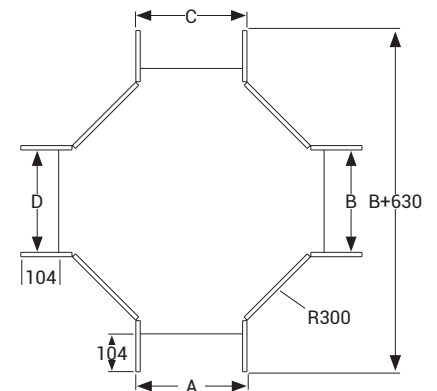
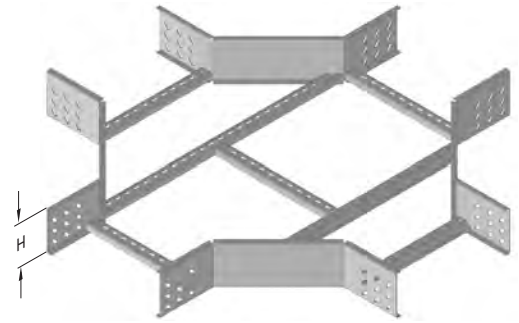
- Please contact your representative for inquiries regarding stainless steel alternatives.
- Please indicate product code in your orders.
- Please contact us for special dimensions.
- Material weights may vary by ± 10%

- All dimensions are given as in mm
- PG= Pre-Galvanized
- HDG= Hot Dip Galvanized

## ►►BENDS

►KME Cross Over Bend (R300, R450, R600)  
Hot Dip Galvanized (TS EN ISO 1461)

Description	H (mm)	ABCD (mm)	T (mm)	R=300		R=450		R=600	
				Weight (kg/pcs)	HDG Code	Weight (kg/pcs)	HDG Code	Weight (kg/pcs)	HDG Code
040 KME 100 AD	40	100	2	3,484	3003994	4,666	3004024	5,206	3004054
040 KME 200 AD	40	200	2	4,133	3003995	5,000	3004025	6,040	3004055
040 KME 300 AD	40	300	2	4,782	3003996	5,640	3004026	6,782	3004056
040 KME 400 AD	40	400	2	5,431	3003997	6,658	3004027	7,523	3004057
040 KME 500 AD	40	500	2	6,543	3003998	7,400	3004028	8,264	3004058
040 KME 600 AD	40	600	2	7,284	3003999	8,141	3004029	9,562	3004059
050 KME 100 AD	50	100	2	3,851	3004000	4,796	3004030	5,744	3004060
050 KME 200 AD	50	200	2	4,499	3004001	5,452	3004031	6,579	3004061
050 KME 300 AD	50	300	2	5,148	3004002	6,092	3004032	7,321	3004062
050 KME 400 AD	50	400	2	5,797	3004003	7,112	3004033	8,061	3004063
050 KME 500 AD	50	500	2	6,909	3004004	7,853	3004034	8,802	3004064
050 KME 600 AD	50	600	2	7,651	3004005	8,594	3004035	10,100	3004065
060 KME 100 AD	60	100	2	4,217	3004006	5,248	3004036	6,283	3004066
060 KME 200 AD	60	200	2	4,866	3004007	5,904	3004037	7,117	3004067
060 KME 300 AD	60	300	2	5,514	3004008	6,544	3004038	7,858	3004068
060 KME 400 AD	60	400	2	6,163	3004009	7,564	3004039	8,600	3004069
060 KME 500 AD	60	500	2	7,275	3004010	8,305	3004040	9,341	3004070
060 KME 600 AD	60	600	2	8,017	3004011	9,046	3004041	10,638	3004071
075 KME 100 AD	75	100	2	4,722	3004012	5,882	3004042	7,046	3004072
075 KME 200 AD	75	200	2	5,371	3004013	6,537	3004043	7,879	3004073
075 KME 300 AD	75	300	2	6,019	3004014	7,178	3004044	8,621	3004074
075 KME 400 AD	75	400	2	6,668	3004015	8,197	3004045	9,362	3004075
075 KME 500 AD	75	500	2	7,780	3004016	8,939	3004046	10,104	3004076
075 KME 600 AD	75	600	2	8,522	3004017	9,680	3004047	11,400	3004077
100 KME 200 AD	100	200	2	6,243	3004019	7,624	3004049	9,180	3004079
100 KME 300 AD	100	300	2	6,892	3004020	8,263	3004050	9,921	3004080
100 KME 400 AD	100	400	2	7,539	3004021	9,283	3004051	10,662	3004081
100 KME 500 AD	100	500	2	8,652	3004022	10,024	3004052	11,404	3004082
100 KME 600 AD	100	600	2	9,393	3004023	10,766	3004053	12,702	3004083
125 KME 200 AD	125	200	2	7,114	3000928	8,710	3000938	10,481	3000948
125 KME 300 AD	125	300	2	7,763	3000929	9,350	3000939	11,222	3000949
125 KME 400 AD	125	400	2	8,411	3000930	10,369	3000940	11,964	3000950
125 KME 500 AD	125	500	2	9,523	3000931	11,110	3000941	12,705	3000951
125 KME 600 AD	125	600	2	10,264	3000932	11,851	3000942	14,002	3000952
150 KME 200 AD	150	200	2	7,985	3000933	9,796	3000943	11,781	3000953
150 KME 300 AD	150	300	2	8,634	3000934	10,436	3000944	12,522	3000954
150 KME 400 AD	150	400	2	9,283	3000935	11,455	3000945	13,264	3000955
150 KME 500 AD	150	500	2	10,395	3000936	12,197	3000946	14,005	3000956
150 KME 600 AD	150	600	2	11,136	3000937	12,938	3000947	15,302	3000957



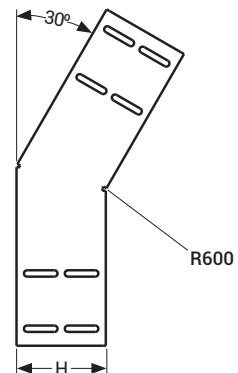
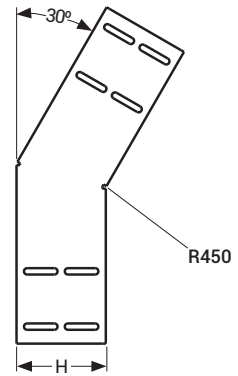
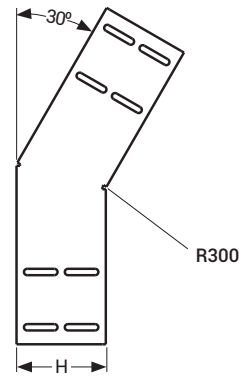
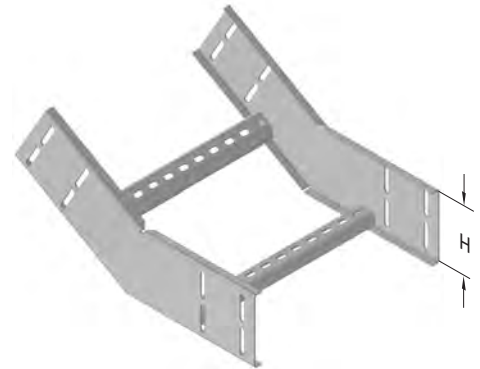
- Please contact your representative for inquiries regarding stainless steel alternatives.
- Please indicate product code in your orders.
- Please contact us for special dimensions.
- Material weights may vary by ± 10%

- All dimensions are given as in mm
- PG= Pre-Galvanized
- HDG= Hot Dip Galvanized

## ►► BENDS

► KME Vertical Inside Bend (30°) (R300, R450, R600)  
Hot Dip Galvanized (TS EN ISO 1461)

Description	H (mm)	A (mm)	T (mm)	R=300		R=450		R=600	
				Weight (kg/pcs)	HDG Code	Weight (kg/pcs)	HDG Code	Weight (kg/pcs)	HDG Code
040 KME 100 ID	40	100	2	0,978	3293953	1,151	3293992	1,324	3294031
040 KME 200 ID	40	200	2	1,163	3293954	1,337	3293993	1,509	3294032
040 KME 300 ID	40	300	2	1,349	3293955	1,521	3293994	1,695	3294033
040 KME 400 ID	40	400	2	1,533	3293956	1,707	3293995	1,880	3294034
040 KME 500 ID	40	500	2	1,719	3293957	1,892	3293996	2,066	3294035
040 KME 600 ID	40	600	2	1,904	3293958	2,078	3293997	2,251	3294036
050 KME 100 ID	50	100	2	1,106	3293959	1,306	3293998	1,507	3294037
050 KME 200 ID	50	200	2	1,290	3293960	1,492	3293999	1,693	3294038
050 KME 300 ID	50	300	2	1,476	3293961	1,676	3294000	1,878	3294039
050 KME 400 ID	50	400	2	1,661	3293962	1,862	3294001	2,064	3294040
050 KME 500 ID	50	500	2	1,847	3293963	2,047	3294002	2,248	3294041
050 KME 600 ID	50	600	2	2,032	3293964	2,233	3294003	2,434	3294042
060 KME 100 ID	60	100	2	1,234	3293965	1,463	3294004	1,691	3294043
060 KME 200 ID	60	200	2	1,420	3293966	1,649	3294005	1,878	3294044
060 KME 300 ID	60	300	2	1,605	3293967	1,834	3294006	2,063	3294045
060 KME 400 ID	60	400	2	1,791	3293968	2,020	3294007	2,248	3294046
060 KME 500 ID	60	500	2	1,976	3293969	2,204	3294008	2,433	3294047
060 KME 600 ID	60	600	2	2,162	3293970	2,390	3294009	2,619	3294048
075 KME 100 ID	75	100	2	1,432	3293971	1,703	3294010	1,973	3294049
075 KME 200 ID	75	200	2	1,617	3293972	1,888	3294011	2,158	3294050
075 KME 300 ID	75	300	2	1,803	3293973	2,074	3294012	2,344	3294051
075 KME 400 ID	75	400	2	1,988	3293974	2,258	3294013	2,529	3294052
075 KME 500 ID	75	500	2	2,174	3293975	2,444	3294014	2,715	3294053
075 KME 600 ID	75	600	2	2,358	3293976	2,629	3294015	2,900	3294054
100 KME 200 ID	100	200	2	1,961	3293977	2,301	3294016	2,641	3294055
100 KME 300 ID	100	300	2	2,146	3293978	2,486	3294017	2,826	3294056
100 KME 400 ID	100	400	2	2,332	3293979	2,672	3294018	3,012	3294057
100 KME 500 ID	100	500	2	2,517	3293980	2,857	3294019	3,197	3294058
100 KME 600 ID	100	600	2	2,703	3293981	3,043	3294020	3,383	3294059
125 KME 200 ID	125	200	2	2,322	3293982	2,732	3294021	3,142	3294060
125 KME 300 ID	125	300	2	2,508	3293983	2,917	3294022	3,326	3294061
125 KME 400 ID	125	400	2	2,693	3293984	3,103	3294023	3,512	3294062
125 KME 500 ID	125	500	2	2,879	3293985	3,288	3294024	3,697	3294063
125 KME 600 ID	125	600	2	3,064	3293986	3,474	3294025	3,883	3294064
150 KME 200 ID	150	200	2	2,685	3293987	3,164	3294026	3,643	3294065
150 KME 300 ID	150	300	2	2,871	3293988	3,350	3294027	3,828	3294066
150 KME 400 ID	150	400	2	3,056	3293989	3,534	3294028	4,013	3294067
150 KME 500 ID	150	500	2	3,242	3293990	3,720	3294029	4,199	3294068
150 KME 600 ID	150	600	2	3,427	3293991	3,905	3294030	4,383	3294069



- Please contact your representative for inquiries regarding stainless steel alternatives.
- Please indicate product code in your orders.
- Please contact us for special dimensions.
- Material weights may vary by ± 10%

- All dimensions are given as in mm
- PG= Pre-Galvanized
- HDG= Hot Dip Galvanized

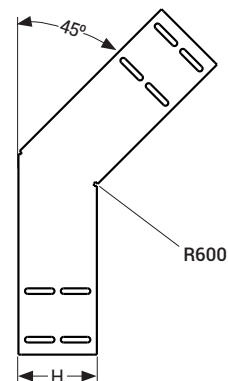
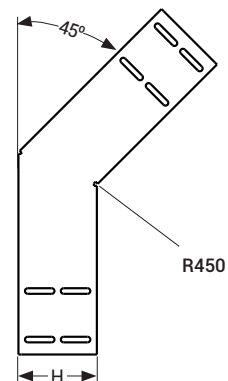
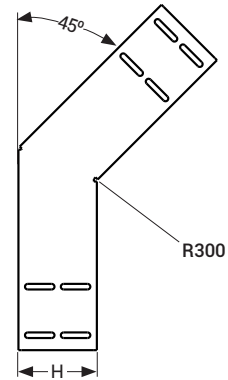


## ►► BENDS

### ► KME Vertical Inside Bend (45°) (R300, R450, R600)

Hot Dip Galvanized (TS EN ISO 1461)

Description	H (mm)	A (mm)	T (mm)	R=300		R=450		R=600	
				Weight (kg/pcs)	HDG Code	Weight (kg/pcs)	HDG Code	Weight (kg/pcs)	HDG Code
040 KME 100 ID	40	100	2	1,179	3294070	1,540	3294109	1,808	3294148
040 KME 200 ID	40	200	2	1,365	3294071	1,818	3294110	2,086	3294149
040 KME 300 ID	40	300	2	1,550	3294072	2,096	3294111	2,364	3294150
040 KME 400 ID	40	400	2	1,736	3294073	2,374	3294112	2,642	3294151
040 KME 500 ID	40	500	2	1,921	3294074	2,652	3294113	2,921	3294152
040 KME 600 ID	40	600	2	2,107	3294075	2,930	3294114	3,198	3294153
050 KME 100 ID	50	100	2	1,343	3294076	1,747	3294115	2,057	3294154
050 KME 200 ID	50	200	2	1,528	3294077	2,024	3294116	2,335	3294155
050 KME 300 ID	50	300	2	1,714	3294078	2,302	3294117	2,614	3294156
050 KME 400 ID	50	400	2	1,899	3294079	2,581	3294118	2,891	3294157
050 KME 500 ID	50	500	2	2,085	3294080	2,859	3294119	3,169	3294158
050 KME 600 ID	50	600	2	2,269	3294081	3,136	3294120	3,447	3294159
060 KME 100 ID	60	100	2	1,509	3294082	1,956	3294121	2,310	3294160
060 KME 200 ID	60	200	2	1,695	3294083	2,234	3294122	2,587	3294161
060 KME 300 ID	60	300	2	1,880	3294084	2,511	3294123	2,866	3294162
060 KME 400 ID	60	400	2	2,066	3294085	2,790	3294124	3,144	3294163
060 KME 500 ID	60	500	2	2,251	3294086	3,068	3294125	3,422	3294164
060 KME 600 ID	60	600	2	2,437	3294087	3,346	3294126	3,699	3294165
075 KME 100 ID	75	100	2	1,764	3294088	2,275	3294127	2,693	3294166
075 KME 200 ID	75	200	2	1,949	3294089	2,553	3294128	2,971	3294167
075 KME 300 ID	75	300	2	2,135	3294090	2,831	3294129	3,249	3294168
075 KME 400 ID	75	400	2	2,320	3294091	3,110	3294130	3,528	3294169
075 KME 500 ID	75	500	2	2,506	3294092	3,387	3294131	3,805	3294170
075 KME 600 ID	75	600	2	2,691	3294093	3,665	3294132	4,083	3294171
100 KME 200 ID	100	200	2	2,395	3294094	3,105	3294133	3,630	3294172
100 KME 300 ID	100	300	2	2,580	3294095	3,384	3294134	3,908	3294173
100 KME 400 ID	100	400	2	2,765	3294096	3,661	3294135	4,187	3294174
100 KME 500 ID	100	500	2	2,950	3294097	3,939	3294136	4,465	3294175
100 KME 600 ID	100	600	2	3,136	3294098	4,217	3294137	4,742	3294176
125 KME 200 ID	125	200	2	2,863	3294099	3,681	3294138	4,314	3294177
125 KME 300 ID	125	300	2	3,048	3294100	3,959	3294139	4,591	3294178
125 KME 400 ID	125	400	2	3,234	3294101	4,237	3294140	4,870	3294179
125 KME 500 ID	125	500	2	3,419	3294102	4,516	3294141	5,148	3294180
125 KME 600 ID	125	600	2	3,605	3294103	4,793	3294142	5,426	3294181
150 KME 200 ID	150	200	2	3,339	3294104	4,267	3294143	5,005	3294182
150 KME 300 ID	150	300	2	3,524	3294105	4,544	3294144	5,282	3294183
150 KME 400 ID	150	400	2	3,709	3294106	4,822	3294145	5,561	3294184
150 KME 500 ID	150	500	2	3,895	3294107	5,101	3294146	5,839	3294185
150 KME 600 ID	150	600	2	4,080	3294108	5,379	3294147	6,116	3294186



KM

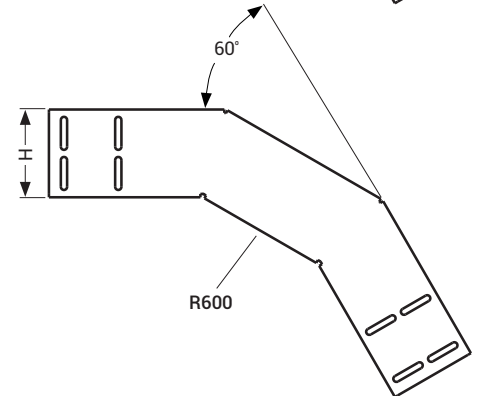
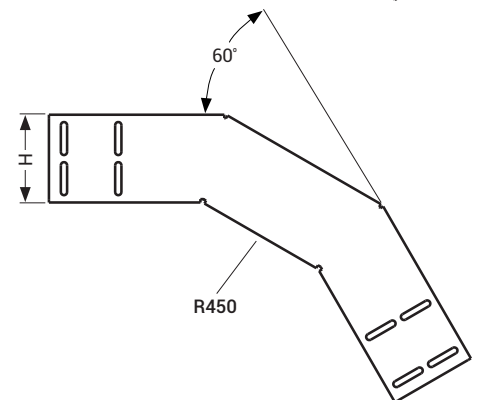
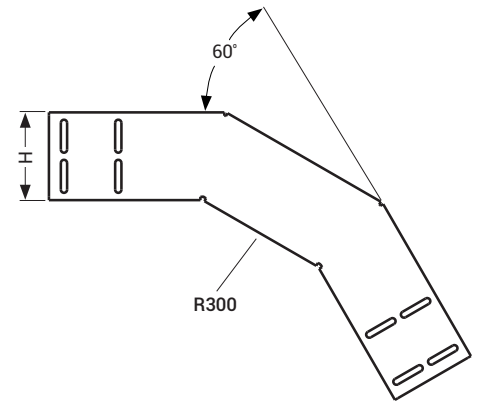
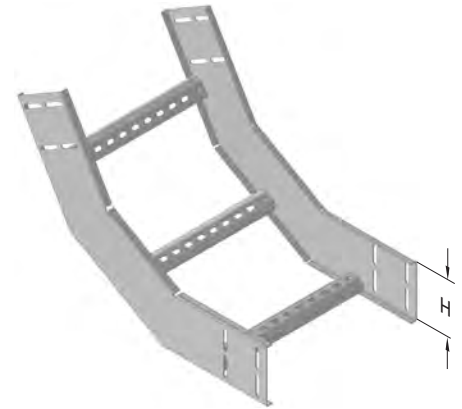
- Please contact your representative for inquiries regarding stainless steel alternatives.
- Please indicate product code in your orders.
- Please contact us for special dimensions.
- Material weights may vary by ± 10%

- All dimensions are given as in mm
- PG= Pre-Galvanized
- HDG= Hot Dip Galvanized

## ►► BENDS

### ► KME Vertical Inside Bend (60°) (R300, R450, R600) Hot Dip Galvanized (TS EN ISO 1461)

Description	H (mm)	A (mm)	T (mm)	R=300		R=450		R=600	
				Weight (kg/pcs)	HDG Code	Weight (kg/pcs)	HDG Code	Weight (kg/pcs)	HDG Code
040 KME 100 ID	40	100	2	1,344	3294187	1,784	3294226	2,131	3294265
040 KME 200 ID	40	200	2	1,530	3294188	2,061	3294227	2,409	3294266
040 KME 300 ID	40	300	2	1,715	3294189	2,340	3294228	2,686	3294267
040 KME 400 ID	40	400	2	1,901	3294190	2,618	3294229	2,965	3294268
040 KME 500 ID	40	500	2	2,086	3294191	2,896	3294230	3,243	3294269
040 KME 600 ID	40	600	2	2,272	3294192	3,174	3294231	3,521	3294270
050 KME 100 ID	50	100	2	1,538	3294193	2,033	3294232	2,435	3294271
050 KME 200 ID	50	200	2	1,724	3294194	2,311	3294233	2,714	3294272
050 KME 300 ID	50	300	2	1,909	3294195	2,589	3294234	2,991	3294273
050 KME 400 ID	50	400	2	2,094	3294196	2,867	3294235	3,269	3294274
050 KME 500 ID	50	500	2	2,279	3294197	3,145	3294236	3,548	3294275
050 KME 600 ID	50	600	2	2,465	3294198	3,423	3294237	3,825	3294276
060 KME 100 ID	60	100	2	1,828	3294199	2,286	3294238	2,743	3294277
060 KME 200 ID	60	200	2	2,107	3294200	2,564	3294239	3,022	3294278
060 KME 300 ID	60	300	2	2,384	3294201	2,841	3294240	3,300	3294279
060 KME 400 ID	60	400	2	2,662	3294202	3,120	3294241	3,577	3294280
060 KME 500 ID	60	500	2	2,940	3294203	3,398	3294242	3,856	3294281
060 KME 600 ID	60	600	2	3,219	3294204	3,676	3294243	4,134	3294282
075 KME 100 ID	75	100	2	2,131	3294205	2,672	3294244	3,306	3294283
075 KME 200 ID	75	200	2	2,409	3294206	2,950	3294245	3,676	3294284
075 KME 300 ID	75	300	2	2,687	3294207	3,227	3294246	4,047	3294285
075 KME 400 ID	75	400	2	2,965	3294208	3,506	3294247	4,418	3294286
075 KME 500 ID	75	500	2	3,243	3294209	3,784	3294248	4,788	3294287
075 KME 600 ID	75	600	2	3,521	3294210	4,062	3294249	5,159	3294288
100 KME 200 ID	100	200	2	2,937	3294211	3,617	3294250	4,483	3294289
100 KME 300 ID	100	300	2	3,215	3294212	3,895	3294251	4,853	3294290
100 KME 400 ID	100	400	2	3,494	3294213	4,173	3294252	5,224	3294291
100 KME 500 ID	100	500	2	3,772	3294214	4,452	3294253	5,595	3294292
100 KME 600 ID	100	600	2	4,049	3294215	4,729	3294254	5,965	3294293
125 KME 200 ID	125	200	2	3,493	3294216	4,311	3294255	5,315	3294294
125 KME 300 ID	125	300	2	3,770	3294217	4,589	3294256	5,686	3294295
125 KME 400 ID	125	400	2	4,048	3294218	4,866	3294257	6,056	3294296
125 KME 500 ID	125	500	2	4,326	3294219	5,145	3294258	6,426	3294297
125 KME 600 ID	125	600	2	4,605	3294220	5,423	3294259	6,797	3294298
150 KME 200 ID	150	200	2	4,066	3294221	5,023	3294260	6,166	3294299
150 KME 300 ID	150	300	2	4,344	3294222	5,301	3294261	6,536	3294300
150 KME 400 ID	150	400	2	4,622	3294223	5,579	3294262	6,907	3294301
150 KME 500 ID	150	500	2	4,899	3294224	5,858	3294263	7,278	3294302
150 KME 600 ID	150	600	2	5,178	3294225	6,135	3294264	7,648	3305388



- Please contact your representative for inquiries regarding stainless steel alternatives.
- Please indicate product code in your orders.
- Please contact us for special dimensions.
- Material weights may vary by ± 10%

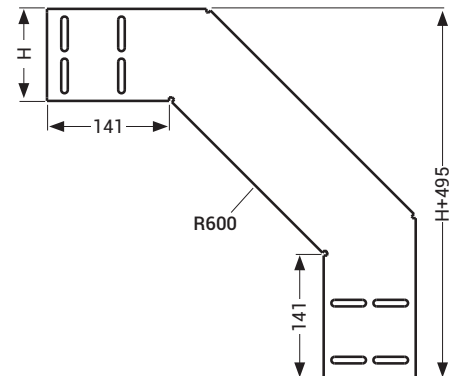
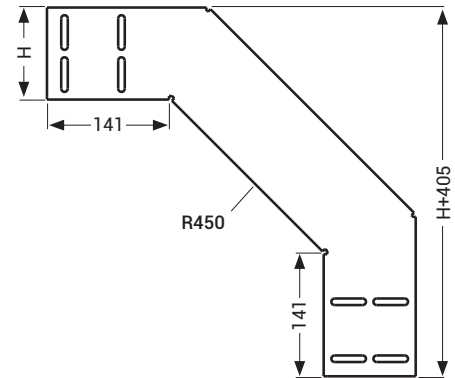
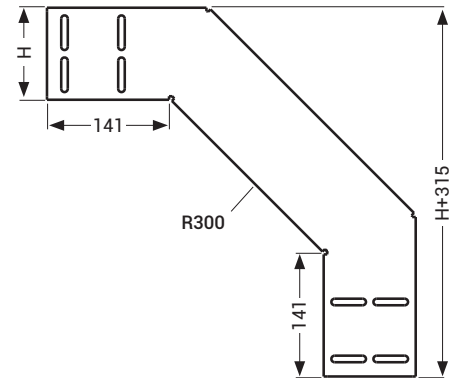
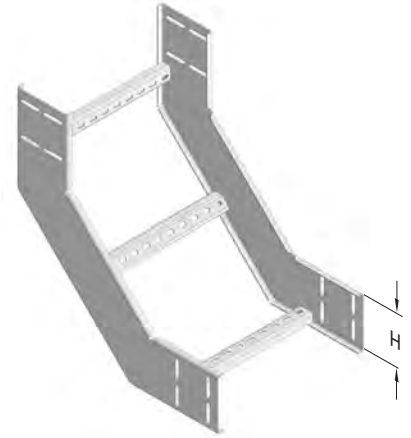
- All dimensions are given as in mm
- PG= Pre-Galvanized
- HDG= Hot Dip Galvanized

## ►► BENDS

### ► KME Vertical Inside Bend (90°) (R300, R450, R600)

Hot Dip Galvanized (TS EN ISO 1461)

Description	H (mm)	A (mm)	T (mm)	R=300		R=450		R=600	
				Weight (kg/pcs)	HDG Code	Weight (kg/pcs)	HDG Code	Weight (kg/pcs)	HDG Code
040 KME 100 ID	40	100	2	1,450	3004084	1,717	3004114	1,986	3004144
040 KME 200 ID	40	200	2	1,727	3004085	1,995	3004115	2,263	3004145
040 KME 300 ID	40	300	2	2,005	3004086	2,274	3004116	2,541	3004146
040 KME 400 ID	40	400	2	2,284	3004087	2,551	3004117	2,819	3004147
040 KME 500 ID	40	500	2	2,561	3004088	2,829	3004118	3,098	3004148
040 KME 600 ID	40	600	2	2,839	3004089	3,108	3004119	3,375	3004149
050 KME 100 ID	50	100	2	1,656	3004090	1,966	3004120	2,277	3004150
050 KME 200 ID	50	200	2	1,934	3004091	2,244	3004121	2,555	3004151
050 KME 300 ID	50	300	2	2,211	3004092	2,522	3004122	2,833	3004152
050 KME 400 ID	50	400	2	2,489	3004093	2,801	3004123	3,111	3004153
050 KME 500 ID	50	500	2	2,768	3004094	3,078	3004124	3,389	3004154
050 KME 600 ID	50	600	2	3,046	3004095	3,356	3004125	3,667	3004155
060 KME 100 ID	60	100	2	1,867	3004096	2,221	3004126	2,575	3004156
060 KME 200 ID	60	200	2	2,145	3004097	2,499	3004127	2,852	3004157
060 KME 300 ID	60	300	2	2,423	3004098	2,776	3004128	3,131	3004158
060 KME 400 ID	60	400	2	2,702	3004099	3,055	3004129	3,409	3004159
060 KME 500 ID	60	500	2	2,979	3004100	3,333	3004130	3,686	3004160
060 KME 600 ID	60	600	2	3,257	3004101	3,611	3004131	3,964	3004161
075 KME 100 ID	75	100	2	2,196	3004102	2,614	3004132	3,032	3004162
075 KME 200 ID	75	200	2	2,474	3004103	2,892	3004133	3,310	3004163
075 KME 300 ID	75	300	2	2,751	3004104	3,169	3004134	3,588	3004164
075 KME 400 ID	75	400	2	3,029	3004105	3,447	3004135	3,865	3004165
075 KME 500 ID	75	500	2	3,308	3004106	3,726	3004136	4,144	3004166
075 KME 600 ID	75	600	2	3,586	3004107	4,004	3004137	4,422	3004167
100 KME 200 ID	100	200	2	3,035	3004109	3,560	3004139	4,270	3004169
100 KME 300 ID	100	300	2	3,312	3004110	3,838	3004140	4,641	3004170
100 KME 400 ID	100	400	2	3,590	3004111	4,116	3004141	5,012	3004171
100 KME 500 ID	100	500	2	3,869	3004112	4,393	3004142	5,382	3004172
100 KME 600 ID	100	600	2	4,147	3004113	4,672	3004143	5,753	3004173
125 KME 200 ID	125	200	2	3,650	3000958	4,282	3000968	5,101	3000978
125 KME 300 ID	125	300	2	3,927	3000959	4,561	3000969	5,470	3000979
125 KME 400 ID	125	400	2	4,205	3000960	4,838	3000970	5,841	3000980
125 KME 500 ID	125	500	2	4,484	3000961	5,116	3000971	6,212	3000981
125 KME 600 ID	125	600	2	4,762	3000962	5,394	3000972	6,582	3000982
150 KME 200 ID	150	200	2	4,310	3000963	5,050	3000973	5,975	3000983
150 KME 300 ID	150	300	2	4,588	3000964	5,328	3000974	6,346	3000984
150 KME 400 ID	150	400	2	4,866	3000965	5,607	3000975	6,717	3000985
150 KME 500 ID	150	500	2	5,145	3000966	5,884	3000976	7,087	3000986
150 KME 600 ID	150	600	2	5,422	3000967	6,162	3000977	7,458	3000987



- Please contact your representative for inquiries regarding stainless steel alternatives.
- Please indicate product code in your orders.
- Please contact us for special dimensions.
- Material weights may vary by ± 10%

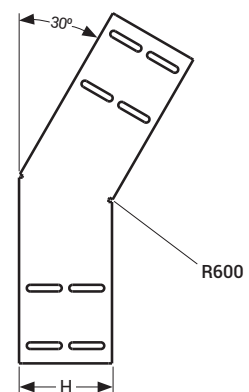
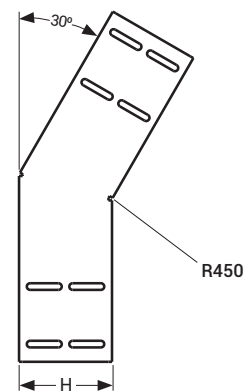
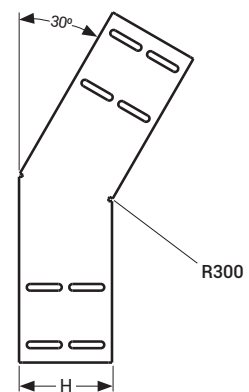
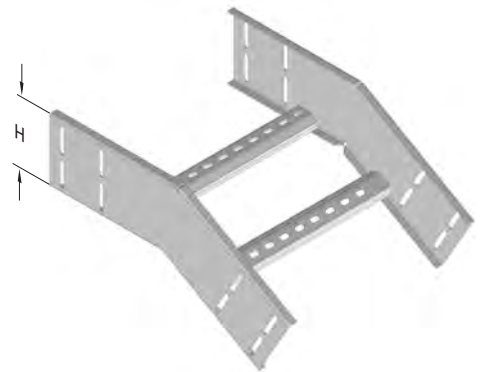
- All dimensions are given as in mm
- PG= Pre-Galvanized
- HDG= Hot Dip Galvanized

## ►► BENDS

### ► KME Vertical Outside Bend (30°) (R300, R450, R600)

Hot Dip Galvanized (TS EN ISO 1461)

Description	H (mm)	A (mm)	T (mm)	R=300		R=450		R=600	
				Weight (kg/pcs)	HDG Code	Weight (kg/pcs)	HDG Code	Weight (kg/pcs)	HDG Code
040 KME 100 DD	40	100	2	0,978	3293599	1,151	3293639	1,324	3293678
040 KME 200 DD	40	200	2	1,163	3293600	1,337	3293640	1,509	3293679
040 KME 300 DD	40	300	2	1,349	3293601	1,521	3293641	1,695	3293680
040 KME 400 DD	40	400	2	1,533	3293602	1,707	3293642	1,880	3293681
040 KME 500 DD	40	500	2	1,719	3293603	1,892	3293643	2,066	3293682
040 KME 600 DD	40	600	2	1,904	3293604	2,078	3293644	2,251	3293683
050 KME 100 DD	50	100	2	1,106	3293605	1,306	3293645	1,507	3293684
050 KME 200 DD	50	200	2	1,290	3293606	1,492	3293646	1,693	3293685
050 KME 300 DD	50	300	2	1,476	3293607	1,676	3293647	1,878	3293686
050 KME 400 DD	50	400	2	1,661	3293608	1,862	3293648	2,064	3293687
050 KME 500 DD	50	500	2	1,847	3293609	2,047	3293649	2,248	3293688
050 KME 600 DD	50	600	2	2,032	3293610	2,233	3293650	2,434	3293689
060 KME 100 DD	60	100	2	1,234	3293611	1,463	3293651	1,692	3293690
060 KME 200 DD	60	200	2	1,420	3293612	1,649	3293652	1,878	3293691
060 KME 300 DD	60	300	2	1,605	3293613	1,834	3293653	2,063	3293692
060 KME 400 DD	60	400	2	1,791	3293614	2,020	3293654	2,248	3293693
060 KME 500 DD	60	500	2	1,976	3293615	2,204	3293655	2,433	3293694
060 KME 600 DD	60	600	2	2,162	3293616	2,390	3293656	2,619	3293695
075 KME 100 DD	75	100	2	1,432	3293617	1,703	3293657	1,973	3293696
075 KME 200 DD	75	200	2	1,617	3293618	1,888	3293658	2,158	3293697
075 KME 300 DD	75	300	2	1,803	3293619	2,074	3293659	2,344	3293698
075 KME 400 DD	75	400	2	1,988	3293620	2,258	3293660	2,529	3293699
075 KME 500 DD	75	500	2	2,174	3293621	2,444	3293661	2,715	3293700
075 KME 600 DD	75	600	2	2,358	3293622	2,629	3293662	2,900	3293701
100 KME 200 DD	100	200	2	1,961	3293624	2,301	3293663	2,641	3293702
100 KME 300 DD	100	300	2	2,146	3293625	2,486	3293664	2,826	3293703
100 KME 400 DD	100	400	2	2,332	3293626	2,672	3293665	3,012	3293704
100 KME 500 DD	100	500	2	2,517	3293627	2,857	3293666	3,197	3293705
100 KME 600 DD	100	600	2	2,703	3293628	3,043	3293667	3,383	3293706
125 KME 200 DD	125	200	2	2,322	3293629	2,732	3293668	3,142	3293707
125 KME 300 DD	125	300	2	2,508	3293630	2,917	3293669	3,326	3293708
125 KME 400 DD	125	400	2	2,693	3293631	3,103	3293670	3,512	3293709
125 KME 500 DD	125	500	2	2,879	3293632	3,288	3293671	3,697	3293710
125 KME 600 DD	125	600	2	3,064	3293633	3,474	3293672	3,883	3293711
150 KME 200 DD	150	200	2	2,685	3293634	3,164	3293673	3,643	3293712
150 KME 300 DD	150	300	2	2,871	3293635	3,350	3293674	3,828	3293713
150 KME 400 DD	150	400	2	3,056	3293636	3,534	3293675	4,013	3293714
150 KME 500 DD	150	500	2	3,242	3293637	3,720	3293676	4,199	3293715
150 KME 600 DD	150	600	2	3,427	3293638	3,905	3293677	4,384	3293716



- Please contact your representative for inquiries regarding stainless steel alternatives.
- Please indicate product code in your orders.
- Please contact us for special dimensions.
- Material weights may vary by ± 10%

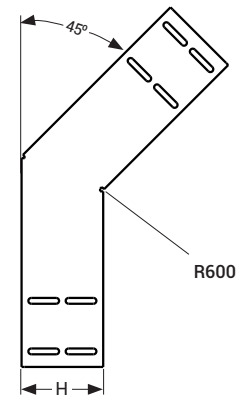
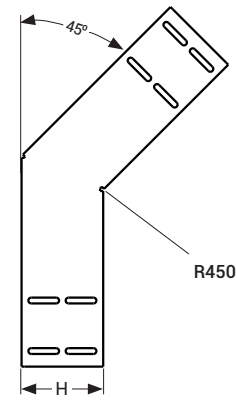
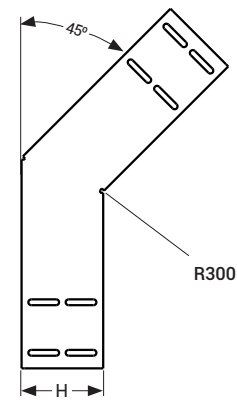
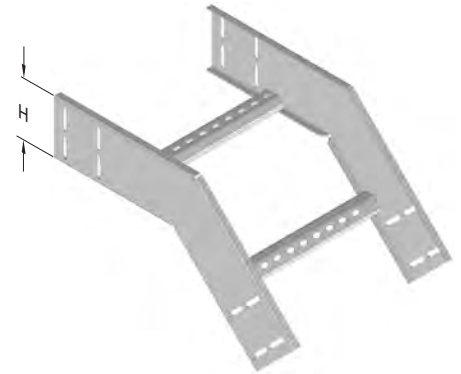
- All dimensions are given as in mm
- PG= Pre-Galvanized
- HDG= Hot Dip Galvanized

## ►► BENDS

### ► KME Vertical Outside Bend (45°) (R300, R450, R600)

Hot Dip Galvanized (TS EN ISO 1461)

Description	H (mm)	A (mm)	T (mm)	R=300		R=450		R=600	
				Weight (kg/pcs)	HDG Code	Weight (kg/pcs)	HDG Code	Weight (kg/pcs)	HDG Code
040 KME 100 DD	40	100	2	1,179	3293717	1,448	3293756	1,808	3293795
040 KME 200 DD	40	200	2	1,365	3293718	1,632	3293757	2,086	3293796
040 KME 300 DD	40	300	2	1,550	3293719	1,818	3293758	2,364	3293797
040 KME 400 DD	40	400	2	1,736	3293720	2,003	3293759	2,642	3293798
040 KME 500 DD	40	500	2	1,921	3293721	2,189	3293760	2,921	3293799
040 KME 600 DD	40	600	2	2,107	3293722	2,374	3293761	3,198	3293800
050 KME 100 DD	50	100	2	1,343	3293723	1,653	3293762	2,057	3293802
050 KME 200 DD	50	200	2	1,528	3293724	1,839	3293763	2,335	3293803
050 KME 300 DD	50	300	2	1,714	3293725	2,024	3293764	2,614	3293804
050 KME 400 DD	50	400	2	1,899	3293726	2,210	3293765	2,891	3293805
050 KME 500 DD	50	500	2	2,085	3293727	2,395	3293766	3,169	3293806
050 KME 600 DD	60	600	2	2,269	3293728	2,581	3293767	3,447	3293807
060 KME 100 DD	60	100	2	1,509	3293729	1,863	3293768	2,310	3293808
060 KME 200 DD	60	200	2	1,695	3293730	2,048	3293769	2,587	3293809
060 KME 300 DD	60	300	2	1,880	3293731	2,234	3293770	2,866	3293810
060 KME 400 DD	60	400	2	2,066	3293732	2,419	3293771	3,144	3293811
060 KME 500 DD	60	500	2	2,251	3293733	2,605	3293772	3,422	3293812
060 KME 600 DD	75	600	2	2,437	3293734	2,790	3293773	3,699	3293813
075 KME 100 DD	75	100	2	1,764	3293735	2,182	3293774	2,693	3293814
075 KME 200 DD	75	200	2	1,949	3293736	2,368	3293775	2,971	3293815
075 KME 300 DD	75	300	2	2,135	3293737	2,553	3293776	3,249	3293816
075 KME 400 DD	75	400	2	2,320	3293738	2,739	3293777	3,528	3293817
075 KME 500 DD	75	500	2	2,506	3293739	2,924	3293778	3,805	3293818
075 KME 600 DD	100	600	2	2,691	3293740	3,110	3293779	4,083	3293819
100 KME 200 DD	100	200	2	2,395	3293741	2,919	3293780	3,630	3293820
100 KME 300 DD	100	300	2	2,580	3293742	3,105	3293781	3,908	3293821
100 KME 400 DD	100	400	2	2,765	3293743	3,290	3293782	4,187	3293822
100 KME 500 DD	100	500	2	2,950	3293744	3,476	3293783	4,465	3293823
100 KME 600 DD	125	600	2	3,136	3293745	3,661	3293784	4,742	3293824
125 KME 200 DD	125	200	2	2,863	3293746	3,496	3293785	4,314	3293825
125 KME 300 DD	125	300	2	3,048	3293747	3,681	3293786	4,591	3293827
125 KME 400 DD	125	400	2	3,234	3293748	3,867	3293787	4,870	3293828
125 KME 500 DD	125	500	2	3,419	3293749	4,051	3293788	5,148	3293829
125 KME 600 DD	150	600	2	3,605	3293750	4,237	3293789	5,426	3293830
150 KME 200 DD	150	200	2	3,339	3293751	4,081	3293790	5,005	3293831
150 KME 300 DD	150	300	2	3,524	3293752	4,267	3293791	5,282	3293832
150 KME 400 DD	150	400	2	3,709	3293753	4,452	3293792	5,561	3293833
150 KME 500 DD	150	500	2	3,895	3293754	4,638	3293793	5,839	3293834
150 KME 600 DD	150	600	2	4,080	3293755	4,822	3293794	6,116	3293835



- Please contact your representative for inquiries regarding stainless steel alternatives.
- Please indicate product code in your orders.
- Please contact us for special dimensions.
- Material weights may vary by ± 10%

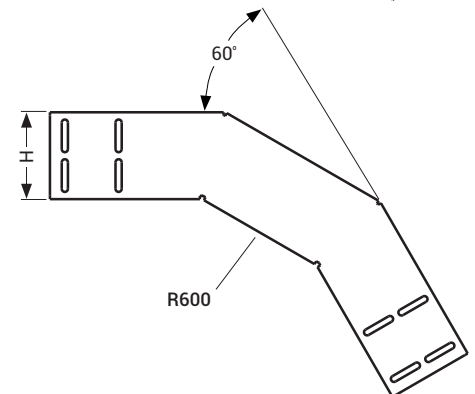
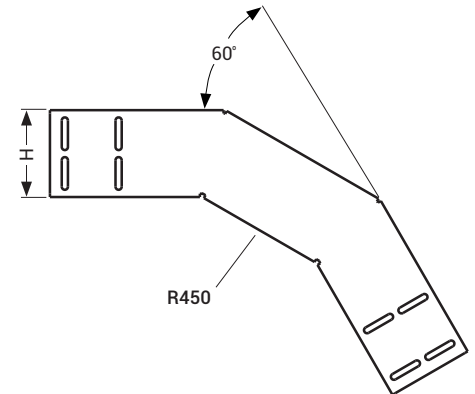
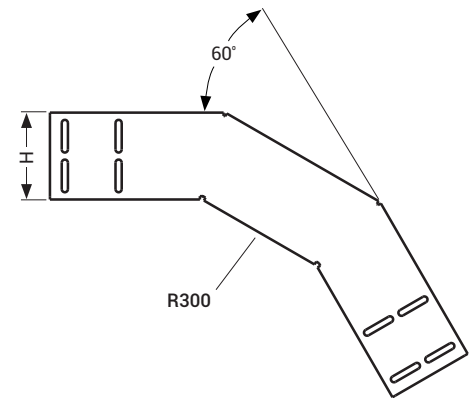
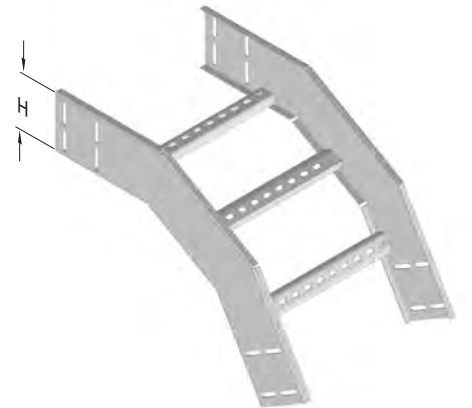
- All dimensions are given as in mm
- PG= Pre-Galvanized
- HDG= Hot Dip Galvanized

## ►► BENDS

### ► KME Vertical Outside Bend (60°) (R300, R450, R600)

Hot Dip Galvanized (TS EN ISO 1461)

Description	H (mm)	A (mm)	T (mm)	R=300		R=450		R=600	
				Weight (kg/pcs)	HDG Code	Weight (kg/pcs)	HDG Code	Weight (kg/pcs)	HDG Code
040 KME 100 DD	40	100	2	1,438	3293836	1,784	3293875	2,131	3293914
040 KME 200 DD	40	200	2	1,715	3293837	2,061	3293876	2,409	3293915
040 KME 300 DD	40	300	2	1,993	3293838	2,340	3293877	2,686	3293916
040 KME 400 DD	40	400	2	2,272	3293839	2,618	3293878	2,965	3293917
040 KME 500 DD	40	500	2	2,550	3293840	2,896	3293879	3,243	3293918
040 KME 600 DD	40	600	2	2,827	3293841	3,174	3293880	3,521	3293919
050 KME 100 DD	50	100	2	1,631	3293842	2,033	3293881	2,435	3293920
050 KME 200 DD	50	200	2	1,909	3293843	2,311	3293882	2,714	3293921
050 KME 300 DD	50	300	2	2,187	3293844	2,589	3293883	2,991	3293922
050 KME 400 DD	50	400	2	2,465	3293845	2,867	3293884	3,269	3293923
050 KME 500 DD	50	500	2	2,743	3293846	3,145	3293885	3,548	3293924
050 KME 600 DD	50	600	2	3,021	3293847	3,423	3293886	3,825	3293925
060 KME 100 DD	60	100	2	1,828	3293848	2,286	3293887	2,743	3293926
060 KME 200 DD	60	200	2	2,107	3293849	2,564	3293888	3,022	3293927
060 KME 300 DD	60	300	2	2,384	3293850	2,841	3293889	3,300	3293928
060 KME 400 DD	60	400	2	2,662	3293851	3,120	3293890	3,577	3293929
060 KME 500 DD	60	500	2	2,940	3293852	3,398	3293891	3,856	3293930
060 KME 600 DD	60	600	2	3,219	3293853	3,676	3293892	4,134	3293931
075 KME 100 DD	75	100	2	2,131	3293854	2,672	3293893	3,213	3293932
075 KME 200 DD	75	200	2	2,409	3293855	2,950	3293894	3,491	3293933
075 KME 300 DD	75	300	2	2,687	3293856	3,227	3293895	3,769	3293934
075 KME 400 DD	75	400	2	2,965	3293857	3,506	3293896	4,047	3293935
075 KME 500 DD	75	500	2	3,243	3293858	3,784	3293897	4,325	3293936
075 KME 600 DD	75	600	2	3,521	3293859	4,062	3293898	4,602	3293937
100 KME 200 DD	100	200	2	2,937	3293860	3,617	3293899	4,297	3293938
100 KME 300 DD	100	300	2	3,215	3293861	3,895	3293900	4,575	3293939
100 KME 400 DD	100	400	2	3,494	3293862	4,173	3293901	4,853	3293940
100 KME 500 DD	100	500	2	3,772	3293863	4,452	3293902	5,132	3293941
100 KME 600 DD	100	600	2	4,049	3293864	4,729	3293903	5,409	3293942
125 KME 200 DD	125	200	2	3,493	3293865	4,311	3293904	5,129	3293943
125 KME 300 DD	125	300	2	3,770	3293866	4,589	3293905	5,408	3293944
125 KME 400 DD	125	400	2	4,048	3293867	4,866	3293906	5,686	3293945
125 KME 500 DD	125	500	2	4,326	3293868	5,145	3293907	5,963	3293946
125 KME 600 DD	125	600	2	4,605	3293869	5,423	3293908	6,241	3293947
150 KME 200 DD	150	200	2	4,066	3293870	5,023	3293909	5,981	3293948
150 KME 300 DD	150	300	2	4,344	3293871	5,301	3293910	6,259	3293949
150 KME 400 DD	150	400	2	4,622	3293872	5,579	3293911	6,536	3293950
150 KME 500 DD	150	500	2	4,899	3293873	5,858	3293912	6,815	3293951
150 KME 600 DD	150	600	2	5,178	3293874	6,135	3293913	7,093	3293952



■ Please contact your representative for inquiries regarding stainless steel alternatives.

■ Please indicate product code in your orders.

■ Please contact us for special dimensions.

■ Material weights may vary by ± 10%

■ All dimensions are given as in mm

■ PG= Pre-Galvanized

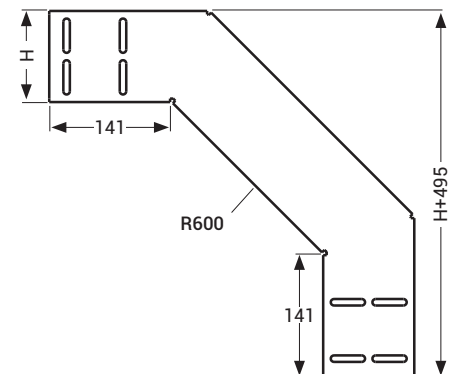
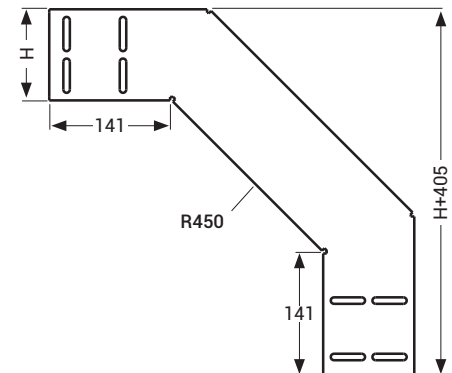
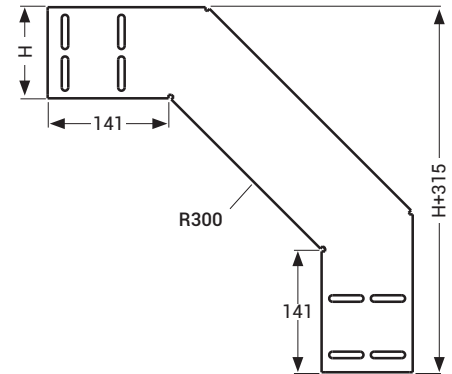
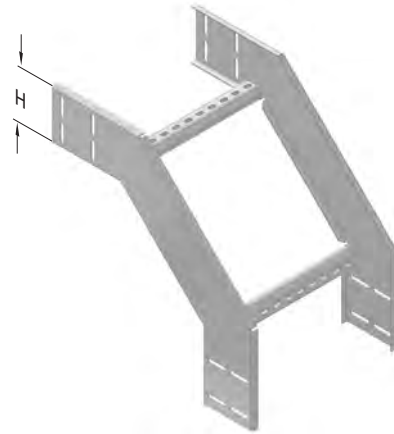
■ HDG= Hot Dip Galvanized

## ►► BENDS

### ► KME Vertical Outside Bend (90°) (R300, R450, R600)

Hot Dip Galvanized (TS EN ISO 1461)

Description	H (mm)	A (mm)	T (mm)	R=300		R=450		R=600	
				Weight (kg/pcs)	HDG Code	Weight (kg/pcs)	HDG Code	Weight (kg/pcs)	HDG Code
040 KME 100 DD	40	100	2	1,356	3004174	1,717	3004204	1,986	3004234
040 KME 200 DD	40	200	2	1,542	3004175	1,995	3004205	2,263	3004235
040 KME 300 DD	40	300	2	1,727	3004176	2,274	3004206	2,541	3004236
040 KME 400 DD	40	400	2	1,913	3004177	2,551	3004207	2,819	3004237
040 KME 500 DD	40	500	2	2,098	3004178	2,829	3004208	3,098	3004238
040 KME 600 DD	40	600	2	2,284	3004179	3,108	3004209	3,375	3004239
050 KME 100 DD	50	100	2	1,563	3004180	1,966	3004210	2,277	3004240
050 KME 200 DD	50	200	2	1,903	3004181	2,244	3004211	2,555	3004241
050 KME 300 DD	50	300	2	1,934	3004182	2,522	3004212	2,833	3004242
050 KME 400 DD	50	400	2	2,119	3004183	2,801	3004213	3,111	3004243
050 KME 500 DD	50	500	2	2,305	3004184	3,078	3004214	3,389	3004244
050 KME 600 DD	50	600	2	2,489	3004185	3,356	3004215	3,667	3004245
060 KME 100 DD	60	100	2	1,774	3004186	2,221	3004216	2,575	3004246
060 KME 200 DD	60	200	2	1,960	3004187	2,499	3004217	2,852	3004247
060 KME 300 DD	60	300	2	2,145	3004188	2,776	3004218	3,131	3004248
060 KME 400 DD	60	400	2	2,331	3004189	3,055	3004219	3,409	3004249
060 KME 500 DD	60	500	2	2,516	3004190	3,333	3004220	3,686	3004250
060 KME 600 DD	60	600	2	2,702	3004191	3,611	3004221	3,964	3004251
075 KME 100 DD	75	100	2	2,103	3004192	2,614	3004222	3,032	3004252
075 KME 200 DD	75	200	2	2,288	3004193	2,892	3004223	3,310	3004253
075 KME 300 DD	75	300	2	2,474	3004194	3,169	3004224	3,588	3004254
075 KME 400 DD	75	400	2	2,659	3004195	3,447	3004225	3,865	3004255
075 KME 500 DD	75	500	2	2,845	3004196	3,726	3004226	4,144	3004256
075 KME 600 DD	75	600	2	3,029	3004197	4,004	3004227	4,422	3004257
100 KME 200 DD	100	200	2	2,849	3004199	3,560	3004229	4,085	3004259
100 KME 300 DD	100	300	2	3,035	3004200	3,838	3004230	4,364	3004260
100 KME 400 DD	100	400	2	3,220	3004201	4,116	3004231	4,641	3004261
100 KME 500 DD	100	500	2	3,406	3004202	4,393	3004232	4,919	3004262
100 KME 600 DD	100	600	2	3,590	3004203	4,672	3004233	5,198	3004263
125 KME 200 DD	125	200	2	3,464	3000988	4,282	3000998	4,915	3001008
125 KME 300 DD	125	300	2	3,650	3000989	4,561	3000999	5,193	3001009
125 KME 400 DD	125	400	2	3,835	3000990	4,838	3001000	5,470	3001010
125 KME 500 DD	125	500	2	4,021	3000991	5,116	3001001	5,749	3001011
125 KME 600 DD	125	600	2	4,205	3000992	5,394	3001002	6,027	3001012
150 KME 200 DD	150	200	2	4,125	3000993	5,050	3001003	5,790	3001013
150 KME 300 DD	150	300	2	4,310	3000994	5,328	3001004	6,069	3001014
150 KME 400 DD	150	400	2	4,496	3000995	5,607	3001005	6,346	3001015
150 KME 500 DD	150	500	2	2,098	3000996	5,884	3001006	6,624	3001016
150 KME 600 DD	150	600	2	2,284	3000997	6,162	3001007	6,903	3001017



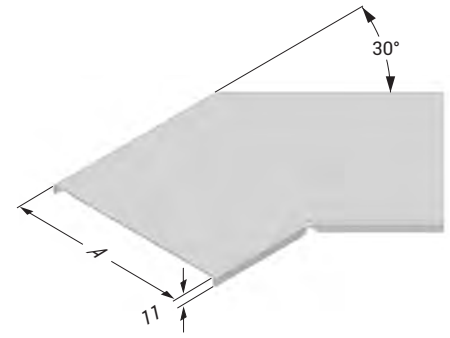
- Please contact your representative for inquiries regarding stainless steel alternatives.
- Please indicate product code in your orders.
- Please contact us for special dimensions.
- Material weights may vary by ± 10%

- All dimensions are given as in mm
- PG= Pre-Galvanized
- HDG= Hot Dip Galvanized

## ►► BEND COVERS

► KME YD 30° Horizontal Degree Bend (R300, R450, R600) Hot Dip Galvanized (TS EN ISO 1461)

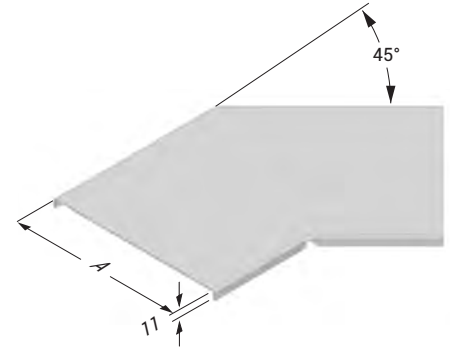
Description	A (mm)	T (mm)	R300		R450		R600	
			Weight (kg/pcs)	HDG Code	Weight (kg/pcs)	HDG Code	Weight (kg/pcs)	HDG Code
KME 100 YD COVER	105	2	0,406	3268033	0,580	3268042	0,755	3268051
KME 200 YD COVER	205	2	0,836	3268035	1,150	3268044	1,462	3268053
KME 300 YD COVER	305	2	1,359	3268037	1,811	3268046	2,263	3268055
KME 400 YD COVER	405	2	1,975	3268038	2,564	3268047	3,155	3268056
KME 500 YD COVER	505	2	2,682	3268039	3,411	3268048	4,140	3268057
KME 600 YD COVER	605	2	3,482	3268040	4,351	3268049	5,218	3268058



► KME YD 45° Horizontal Degree Bend Cover (R300, R450, R600)

Hot Dip Galvanized (TS EN ISO 1461)

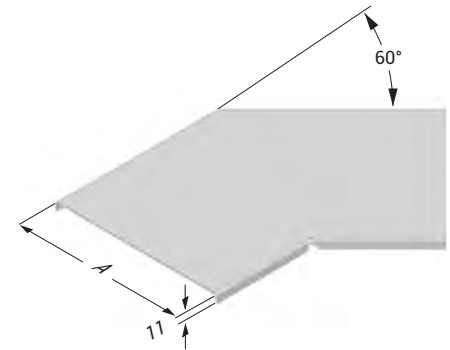
Description	A (mm)	T (mm)	R300		R450		R600	
			Weight (kg/pcs)	HDG Code	Weight (kg/pcs)	HDG Code	Weight (kg/pcs)	HDG Code
KME 100 YD COVER	105	2	0,629	3005005	0,898	3005014	1,167	3005023
KME 200 YD COVER	205	2	1,294	3005007	1,778	3005016	2,262	3005025
KME 300 YD COVER	305	2	2,102	3005009	2,801	3005018	3,498	3005027
KME 400 YD COVER	405	2	3,053	3005010	3,966	3005019	4,879	3005028
KME 500 YD COVER	505	2	4,147	3005011	5,275	3005020	6,402	3005029
KME 600 YD COVER	605	2	5,383	3005012	6,727	3005021	8,069	3005030



► KME YD 60° Horizontal Degree Bend (R300, R450, R600)

Hot Dip Galvanized (TS EN ISO 1461)

Description	A (mm)	T (mm)	R300		R450		R600	
			Weight (kg/pcs)	HDG Code	Weight (kg/pcs)	HDG Code	Weight (kg/pcs)	HDG Code
KME 100 YD COVER	105	2	0,878	3268060	1,139	3268069	1,480	3268078
KME 200 YD COVER	205	2	1,804	3268062	2,253	3268071	2,866	3268080
KME 300 YD COVER	305	2	2,930	3268064	3,549	3268073	4,434	3268082
KME 400 YD COVER	405	2	4,256	3268065	5,026	3268074	6,183	3268083
KME 500 YD COVER	505	2	5,781	3268066	6,684	3268075	8,113	3268084
KME 600 YD COVER	605	2	7,505	3268067	8,524	3268076	10,224	3268085



► KME YD 90° Horizontal Degree Bend Cover (R300, R450, R600)

Hot Dip Galvanized (TS EN ISO 1461)

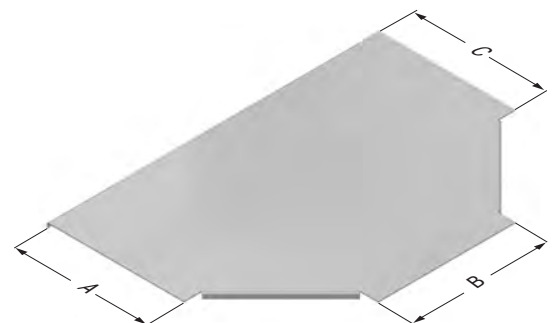
Description	AB (mm)	T (mm)	R300		R450		R600	
			Weight (kg/pcs)	HDG Code	Weight (kg/pcs)	HDG Code	Weight (kg/pcs)	HDG Code
KME 100 YD COVER	105	2	0,837	3005032	1,106	3005041	1,375	3005050
KME 200 YD COVER	205	2	1,849	3005034	2,332	3005043	2,816	3005052
KME 300 YD COVER	305	2	3,147	3005036	3,846	3005045	4,544	3005054
KME 400 YD COVER	405	2	4,731	3005037	5,644	3005046	6,557	3005055
KME 500 YD COVER	505	2	6,602	3005038	7,730	3005047	8,857	3005056
KME 600 YD COVER	605	2	8,758	3005039	10,101	3005048	11,443	3005057



► KME YT Tee Bend (R300, R450, R600) Hot Dip Galvanized (TS EN ISO 1461)

Hot Dip Galvanized (TS EN ISO 1461)

Description	A (mm)	T (mm)	R300		R450		R600	
			Weight (kg/pcs)	HDG Code	Weight (kg/pcs)	HDG Code	Weight (kg/pcs)	HDG Code
KME 100 YT COVER	105	2	2,032	3005059	3,265	3005068	4,631	3005077
KME 200 YT COVER	205	2	3,603	3005061	5,367	3005070	7,171	3005079
KME 300 YT COVER	305	2	5,578	3005063	7,685	3005072	10,057	3005081
KME 400 YT COVER	405	2	7,899	3005064	10,461	3005073	13,289	3005082
KME 500 YT COVER	505	2	10,566	3005065	13,582	3005074	16,865	3005083
KME 600 YT COVER	605	2	13,577	3005066	17,049	3005075	20,788	3005084



■ Please contact your representative for inquiries regarding stainless steel alternatives.

■ Please indicate product code in your orders.

■ Please contact us for special dimensions.

■ Material weights may vary by ± 10%

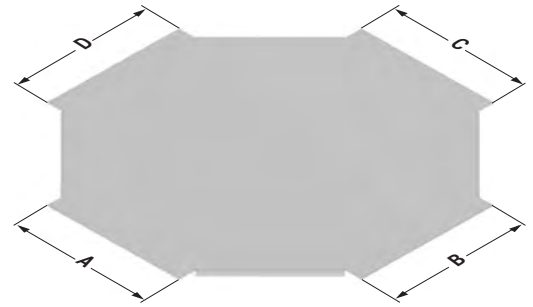
■ All dimensions are given as in mm

■ PG= Pre-Galvanized

■ HDG= Hot Dip Galvanized



Description	A (mm)	T (mm)	R300		R450		R600	
			Weight (kg/pcs)	HDG Code	Weight (kg/pcs)	HDG Code	Weight (kg/pcs)	HDG Code
KME 100 AD COVER	105	2	2,976	3005086	5,040	3005095	7,638	3005104
KME 200 AD COVER	205	2	4,995	3005088	7,674	3005097	10,885	3005106
KME 300 AD COVER	305	2	7,341	3005090	10,627	3005099	14,445	3005108
KME 400 AD COVER	405	2	10,034	3005091	13,926	3005100	18,352	3005109
KME 500 AD COVER	505	2	13,071	3005092	17,571	3005101	22,604	3005110
KME 600 AD COVER	605	2	16,455	3005093	21,561	3005102	27,201	3005111



### ► KME ID 30° Vertical Inside Bend (R300, R450, R600)

Hot Dip Galvanized (TS EN ISO 1461)

Description	A (mm)	T (mm)	R300		R450		R600	
			Weight (kg/pcs)	HDG Code	Weight (kg/pcs)	HDG Code	Weight (kg/pcs)	HDG Code
KME 100 ID COVER	105	2	0,338	3268089	0,509	3268090	0,681	3268091
KME 200 ID COVER	205	2	0,615	3268095	0,925	3268096	1,235	3268097
KME 300 ID COVER	305	2	0,752	3268101	1,340	3268102	1,790	3268103
KME 400 ID COVER	405	2	0,891	3268104	1,756	3268105	2,344	3268106
KME 500 ID COVER	505	2	1,168	3268107	2,171	3268108	2,897	3268109
KME 600 ID COVER	605	2	1,444	3268110	2,587	3268111	3,452	3268112



### ► KME ID 45° Vertical Inside Bend (R300, R450, R600)

Hot Dip Galvanized (TS EN ISO 1461)

Description	A (mm)	T (mm)	R300		R450		R600	
			Weight (kg/pcs)	HDG Code	Weight (kg/pcs)	HDG Code	Weight (kg/pcs)	HDG Code
KME 100 ID COVER	105	2	0,525	3268116	0,790	3268117	1,055	3268118
KME 200 ID COVER	205	2	0,953	3268122	1,432	3268123	1,911	3268124
KME 300 ID COVER	305	2	1,166	3268128	2,074	3268129	2,768	3268130
KME 400 ID COVER	405	2	1,379	3268131	2,716	3268132	3,625	3268133
KME 500 ID COVER	505	2	1,807	3268134	3,358	3268135	4,481	3268136
KME 600 ID COVER	605	2	2,235	3268137	4,001	3268138	5,338	3268139



### ► KME ID 60° Vertical Inside Bend (R300, R450, R600)

Hot Dip Galvanized (TS EN ISO 1461)

Description	A (mm)	T (mm)	R300		R450		R600	
			Weight (kg/pcs)	HDG Code	Weight (kg/pcs)	HDG Code	Weight (kg/pcs)	HDG Code
KME 100 ID COVER	105	2	0,691	3268143	1,036	3268144	1,382	3268145
KME 200 ID COVER	205	2	1,250	3268149	1,872	3268150	2,496	3268151
KME 300 ID COVER	305	2	1,808	3268155	2,709	3268156	3,609	3268157
KME 400 ID COVER	405	2	2,367	3268158	3,545	3268159	4,723	3268160
KME 500 ID COVER	505	2	2,926	3268161	4,381	3268162	5,838	3268163
KME 600 ID COVER	605	2	3,485	3268164	5,218	3268165	6,952	3268166



### ► KME ID 90° Vertical Inside Bend (R300, R450, R600)

Hot Dip Galvanized (TS EN ISO 1461)

Description	A (mm)	T (mm)	R300		R450		R600	
			Weight (kg/pcs)	HDG Code	Weight (kg/pcs)	HDG Code	Weight (kg/pcs)	HDG Code
KME 100 ID COVER	105	2	0,690	3005113	0,958	3005122	1,228	3005131
KME 200 ID COVER	205	2	1,244	3005115	1,728	3005124	2,212	3005133
KME 300 ID COVER	305	2	1,800	3005117	2,498	3005126	3,197	3005135
KME 400 ID COVER	405	2	2,354	3005118	3,267	3005127	4,180	3005136
KME 500 ID COVER	505	2	2,910	3005119	4,037	3005128	5,165	3005137
KME 600 ID COVER	605	2	3,464	3005120	4,807	3005129	6,149	3005138



■ Please contact your representative for inquiries regarding stainless steel alternatives.

■ Please indicate product code in your orders.

■ Please contact us for special dimensions.

■ Material weights may vary by ± 10%

■ All dimensions are given as in mm

■ PG= Pre-Galvanized

■ HDG= Hot Dip Galvanized

Description	H (mm)	A (mm)	T (mm)	R300		R450		R600	
				Weight (kg/pcs)	HDG Code	Weight (kg/pcs)	HDG Code	Weight (kg/pcs)	HDG Code
040 KME 100 DD COVER	40	100	2	0,388	3269924	0,559	3269925	0,730	3269926
040 KME 200 DD COVER	40	200	2	0,704	3269930	1,014	3269931	1,324	3269932
040 KME 300 DD COVER	40	300	2	1,021	3269936	1,470	3269937	1,918	3269938
040 KME 400 DD COVER	40	400	2	1,338	3269939	1,925	3269940	2,512	3269941
040 KME 500 DD COVER	40	500	2	1,653	3269942	2,380	3269943	3,106	3269944
040 KME 600 DD COVER	40	600	2	1,970	3269945	2,836	3269946	3,702	3269947
050 KME 100 DD COVER	50	100	2	0,399	3269951	0,571	3269952	0,741	3269953
050 KME 200 DD COVER	50	200	2	0,725	3269957	1,035	3269958	1,345	3269959
050 KME 300 DD COVER	50	300	2	1,051	3269963	1,499	3269964	1,949	3269965
050 KME 400 DD COVER	50	400	2	1,376	3269966	1,965	3269967	2,552	3269968
050 KME 500 DD COVER	50	500	2	1,702	3269969	2,429	3269970	3,156	3269971
050 KME 600 DD COVER	50	600	2	2,027	3269972	2,893	3269973	3,759	3269974
060 KME 100 DD COVER	60	100	2	0,410	3269975	0,582	3269976	0,754	3269977
060 KME 200 DD COVER	60	200	2	0,746	3269981	1,056	3269982	1,366	3269983
060 KME 300 DD COVER	60	300	2	1,080	3269987	1,530	3269988	1,979	3269989
060 KME 400 DD COVER	60	400	2	1,416	3269990	2,003	3269991	2,592	3269992
060 KME 500 DD COVER	60	500	2	1,750	3269993	2,477	3269994	3,204	3269995
060 KME 600 DD COVER	60	600	2	2,086	3269996	2,951	3269997	3,816	3269998
075 KME 100 DD COVER	75	100	2	0,428	3269999	0,600	3270000	0,770	3270001
075 KME 200 DD COVER	75	200	2	0,777	3270005	1,087	3270006	1,397	3270007
075 KME 300 DD COVER	75	300	2	1,125	3270011	1,574	3270012	2,024	3270013
075 KME 400 DD COVER	75	400	2	1,474	3270014	2,063	3270015	2,650	3270016
075 KME 500 DD COVER	75	500	2	1,823	3270017	2,550	3270018	3,277	3270019
075 KME 600 DD COVER	75	600	2	2,173	3270020	3,037	3270021	3,903	3270022
100 KME 200 DD COVER	100	200	2	0,828	3270029	1,139	3270030	1,449	3270031
100 KME 300 DD COVER	100	300	2	1,200	3270035	1,649	3270036	2,099	3270037
100 KME 400 DD COVER	100	400	2	1,572	3270038	2,160	3270039	2,748	3270040
100 KME 500 DD COVER	100	500	2	1,945	3270041	2,671	3270042	3,398	3270043
100 KME 600 DD COVER	100	600	2	2,317	3270044	3,182	3270045	4,047	3270046
125 KME 200 DD COVER	125	200	2	0,880	3270050	1,190	3270051	1,500	3270052
125 KME 300 DD COVER	125	300	2	1,275	3270056	1,724	3270057	2,174	3270058
125 KME 400 DD COVER	125	400	2	1,670	3270059	2,258	3270060	2,846	3270061
125 KME 500 DD COVER	125	500	2	2,066	3270062	2,792	3270063	3,519	3270064
125 KME 600 DD COVER	125	600	2	2,461	3270065	3,326	3270066	4,191	3270067
150 KME 200 DD COVER	150	200	2	0,932	3270068	1,242	3270069	1,552	3270070
150 KME 300 DD COVER	150	300	2	1,350	3270074	1,799	3270075	2,248	3270076
150 KME 400 DD COVER	150	400	2	1,769	3270077	2,356	3270078	2,944	3270079
150 KME 500 DD COVER	150	500	2	2,187	3270080	2,913	3270081	3,640	3270082
150 KME 600 DD COVER	150	600	2	2,605	3270083	3,471	3270084	4,336	3270085



■ Please contact your representative for inquiries regarding stainless steel alternatives.

■ Please indicate product code in your orders.

■ Please contact us for special dimensions.

■ Material weights may vary by ± 10%

■ All dimensions are given as in mm

■ PG= Pre-Galvanized

■ HDG= Hot Dip Galvanized

Description	H (mm)	A (mm)	T (mm)	R300		R450		R600	
				Weight (kg/pcs)	HDG Code	Weight (kg/pcs)	HDG Code	Weight (kg/pcs)	HDG Code
040 KME 100 DD COVER	40	100	2	0,601	3270089	0,865	3270090	1,130	3270091
040 KME 200 DD COVER	40	200	2	1,089	3270095	1,569	3270096	2,048	3270097
040 KME 300 DD COVER	40	300	2	1,579	3270101	2,273	3270102	2,967	3270103
040 KME 400 DD COVER	40	400	2	2,068	3270104	2,977	3270105	3,885	3270106
040 KME 500 DD COVER	40	500	2	2,556	3270107	3,680	3270108	4,804	3270109
040 KME 600 DD COVER	40	600	2	3,046	3270110	4,384	3270111	5,721	3270112
050 KME 100 DD COVER	50	100	2	0,618	3270116	0,883	3270117	1,147	3270118
050 KME 200 DD COVER	50	200	2	1,121	3270122	1,601	3270123	2,080	3270124
050 KME 300 DD COVER	50	300	2	1,625	3270128	2,319	3270129	3,013	3270130
050 KME 400 DD COVER	50	400	2	2,129	3270131	3,037	3270132	3,946	3270133
050 KME 500 DD COVER	50	500	2	2,631	3270134	3,754	3270135	4,879	3270136
050 KME 600 DD COVER	50	600	2	3,135	3270137	4,473	3270138	5,810	3270139
060 KME 100 DD COVER	60	100	2	0,636	3270140	0,901	3270141	1,165	3270142
060 KME 200 DD COVER	60	200	2	1,153	3270146	1,632	3270147	2,112	3270148
060 KME 300 DD COVER	60	300	2	1,671	3270152	2,365	3270153	3,059	3270154
060 KME 400 DD COVER	60	400	2	2,189	3270155	3,098	3270156	4,006	3270157
060 KME 500 DD COVER	60	500	2	2,706	3270158	3,829	3270159	4,953	3270160
060 KME 600 DD COVER	60	600	2	3,224	3270161	4,562	3270162	5,899	3270163
075 KME 100 DD COVER	75	100	2	0,662	3270164	0,927	3270165	1,191	3270166
075 KME 200 DD COVER	75	200	2	1,201	3270170	1,681	3270171	2,160	3270172
075 KME 300 DD COVER	75	300	2	1,740	3270176	2,434	3270177	3,128	3270178
075 KME 400 DD COVER	75	400	2	2,279	3270179	3,188	3270180	4,096	3270181
075 KME 500 DD COVER	75	500	2	2,818	3270182	3,942	3270183	5,066	3270184
075 KME 600 DD COVER	75	600	2	3,358	3270185	4,696	3270186	6,034	3270187
100 KME 200 DD COVER	100	200	2	1,282	3270194	1,761	3270195	2,240	3270196
100 KME 300 DD COVER	100	300	2	1,856	3270200	2,550	3270201	3,244	3270202
100 KME 400 DD COVER	100	400	2	2,431	3270203	3,340	3270204	4,248	3270205
100 KME 500 DD COVER	100	500	2	3,006	3270206	4,129	3270207	5,253	3270208
100 KME 600 DD COVER	100	600	2	3,581	3270209	4,919	3270210	6,257	3270211
125 KME 200 DD COVER	125	200	2	1,361	3270215	1,840	3270216	2,320	3270217
125 KME 300 DD COVER	125	300	2	1,971	3270221	2,665	3270222	3,359	3270223
125 KME 400 DD COVER	125	400	2	2,583	3270224	3,491	3270225	4,401	3270226
125 KME 500 DD COVER	125	500	2	3,193	3270227	4,316	3270228	5,440	3270229
125 KME 600 DD COVER	125	600	2	3,804	3270230	5,141	3270231	6,480	3270232
150 KME 200 DD COVER	150	200	2	1,441	3270233	1,921	3270234	2,400	3270235
150 KME 300 DD COVER	150	300	2	2,088	3270239	2,782	3270240	3,476	3270241
150 KME 400 DD COVER	150	400	2	2,734	3270242	3,642	3270243	4,551	3270244
150 KME 500 DD COVER	150	500	2	3,380	3270245	4,503	3270246	5,627	3270247
150 KME 600 DD COVER	150	600	2	4,027	3270248	5,365	3270249	6,702	3270250



■ Please contact your representative for inquiries regarding stainless steel alternatives.

■ Please indicate product code in your orders.

■ Please contact us for special dimensions.

■ Material weights may vary by ± 10%

■ PG= Pre-Galvanized

■ All dimensions are given as in mm

■ HDG= Hot Dip Galvanized

## ►► BEND COVERS

► KME Vertical Outside Bend(60°) (R300, R450, R600) Hot Dip Galvanized (TS EN ISO 1461)

Description	H (mm)	A (mm)	T (mm)	R300		R450		R600	
				Weight (kg/pcs)	HDG Code	Weight (kg/pcs)	HDG Code	Weight (kg/pcs)	HDG Code
040 KME 100 DD COVER	40	100	2	0,774	3269757	1,120	3269758	1,465	3269759
040 KME 200 DD COVER	40	200	2	1,404	3269763	2,027	3269764	2,650	3269765
040 KME 300 DD COVER	40	300	2	2,033	3269769	2,934	3269770	3,835	3269771
040 KME 400 DD COVER	40	400	2	2,662	3269772	3,841	3269773	5,019	3269774
040 KME 500 DD COVER	40	500	2	3,291	3269775	4,748	3269776	6,204	3269777
040 KME 600 DD COVER	40	600	2	3,920	3269778	5,654	3269779	7,388	3269780
050 KME 100 DD COVER	50	100	2	0,798	3269784	1,143	3269785	1,488	3269786
050 KME 200 DD COVER	50	200	2	1,445	3269790	2,068	3269791	2,692	3269792
050 KME 300 DD COVER	50	300	2	2,093	3269796	2,994	3269797	3,895	3269798
050 KME 400 DD COVER	50	400	2	2,741	3269799	3,919	3269800	5,097	3269801
050 KME 500 DD COVER	50	500	2	3,389	3269802	4,844	3269803	6,301	3269804
050 KME 600 DD COVER	50	600	2	4,036	3269805	5,770	3269806	7,504	3269807
060 KME 100 DD COVER	60	100	2	0,821	3269808	1,166	3269809	1,511	3269810
060 KME 200 DD COVER	60	200	2	1,487	3269814	2,110	3269815	2,734	3269816
060 KME 300 DD COVER	60	300	2	2,153	3269820	3,054	3269821	3,955	3269822
060 KME 400 DD COVER	60	400	2	2,819	3269823	3,997	3269824	5,177	3269825
060 KME 500 DD COVER	60	500	2	3,486	3269826	4,941	3269827	6,398	3269828
060 KME 600 DD COVER	60	600	2	4,151	3269829	5,886	3269830	7,620	3269831
075 KME 100 DD COVER	75	100	2	0,856	3269832	1,201	3269833	1,547	3269834
075 KME 200 DD COVER	75	200	2	1,549	3269838	2,173	3269839	2,795	3269840
075 KME 300 DD COVER	75	300	2	2,243	3269844	3,144	3269845	4,045	3269846
075 KME 400 DD COVER	75	400	2	2,937	3269847	4,116	3269848	5,294	3269849
075 KME 500 DD COVER	75	500	2	3,631	3269850	5,088	3269851	6,544	3269852
075 KME 600 DD COVER	75	600	2	4,325	3269853	6,059	3269854	7,792	3269855
100 KME 200 DD COVER	100	200	2	1,653	3269862	2,276	3269863	2,900	3269864
100 KME 300 DD COVER	100	300	2	2,394	3269868	3,295	3269869	4,195	3269870
100 KME 400 DD COVER	100	400	2	3,134	3269871	4,312	3269872	5,490	3269873
100 KME 500 DD COVER	100	500	2	3,874	3269874	5,330	3269875	6,786	3269876
100 KME 600 DD COVER	100	600	2	4,615	3269877	6,348	3269878	8,082	3269879
125 KME 200 DD COVER	125	200	2	1,757	3269883	2,380	3269884	3,003	3269885
125 KME 300 DD COVER	125	300	2	2,543	3269889	3,444	3269890	4,345	3269891
125 KME 400 DD COVER	125	400	2	3,330	3269892	4,509	3269893	5,687	3269894
125 KME 500 DD COVER	125	500	2	4,116	3269895	5,573	3269896	7,029	3269897
125 KME 600 DD COVER	125	600	2	4,903	3269898	6,637	3269899	8,371	3269900
150 KME 200 DD COVER	150	200	2	1,857	3269901	2,484	3269902	3,108	3269903
150 KME 300 DD COVER	150	300	2	2,687	3269907	3,595	3269908	4,496	3269909
150 KME 400 DD COVER	150	400	2	3,519	3269910	4,705	3269911	5,883	3269912
150 KME 500 DD COVER	150	500	2	4,349	3269913	5,816	3269914	7,271	3269915
150 KME 600 DD COVER	150	600	2	5,181	3269916	6,926	3269917	8,659	3269918



■ Please contact your representative for inquiries regarding stainless steel alternatives.

■ Please indicate product code in your orders.

■ Please contact us for special dimensions.

■ Material weights may vary by ± 10%

■ All dimensions are given as in mm

■ PG= Pre-Galvanized

■ HDG= Hot Dip Galvanized

Description	H (mm)	A (mm)	T (mm)	R300		R450		R600	
				Weight (kg/pcs)	HDG Code	Weight (kg/pcs)	HDG Code	Weight (kg/pcs)	HDG Code
040 KME 100 DD COVER	40	100	2	0,854	3005140	1,123	3005195	1,393	3005250
040 KME 200 DD COVER	40	200	2	1,539	3005142	2,023	3005197	2,507	3005252
040 KME 300 DD COVER	40	300	2	2,224	3005144	2,923	3005199	3,621	3005254
040 KME 400 DD COVER	40	400	2	2,910	3005145	3,823	3005200	4,736	3005255
040 KME 500 DD COVER	40	500	2	3,595	3005146	4,722	3005201	5,850	3005256
040 KME 600 DD COVER	40	600	2	4,280	3005147	5,622	3005202	6,964	3005257
050 KME 100 DD COVER	50	100	2	0,890	3005149	1,159	3005204	1,428	3005259
050 KME 200 DD COVER	50	200	2	1,604	3005151	2,088	3005206	2,572	3005261
050 KME 300 DD COVER	50	300	2	2,318	3005153	3,016	3005208	3,715	3005263
050 KME 400 DD COVER	50	400	2	3,032	3005154	3,945	3005209	4,858	3005264
050 KME 500 DD COVER	50	500	2	3,746	3005155	4,873	3005210	6,001	3005265
050 KME 600 DD COVER	50	600	2	4,459	3005156	5,801	3005211	7,143	3005266
060 KME 100 DD COVER	60	100	2	0,926	3005157	1,195	3005212	1,464	3005267
060 KME 200 DD COVER	60	200	2	1,669	3005159	2,152	3005214	2,636	3005269
060 KME 300 DD COVER	60	300	2	2,411	3005161	3,109	3005216	3,807	3005271
060 KME 400 DD COVER	60	400	2	3,153	3005162	4,066	3005217	4,979	3005272
060 KME 500 DD COVER	60	500	2	3,895	3005163	5,023	3005218	6,151	3005273
060 KME 600 DD COVER	60	600	2	4,638	3005164	5,981	3005219	7,323	3005274
075 KME 100 DD COVER	75	100	2	0,980	3005165	1,249	3005220	1,518	3005275
075 KME 200 DD COVER	75	200	2	1,766	3005167	2,248	3005222	2,732	3005277
075 KME 300 DD COVER	75	300	2	2,551	3005169	3,248	3005224	3,947	3005279
075 KME 400 DD COVER	75	400	2	3,335	3005170	4,248	3005225	5,161	3005280
075 KME 500 DD COVER	75	500	2	4,121	3005171	5,248	3005226	6,377	3005281
075 KME 600 DD COVER	75	600	2	4,906	3005172	6,249	3005227	7,591	3005282
100 KME 200 DD COVER	100	200	2	1,926	3005175	2,410	3005230	2,894	3005285
100 KME 300 DD COVER	100	300	2	2,783	3005177	3,482	3005232	4,180	3005287
100 KME 400 DD COVER	100	400	2	3,640	3005178	4,553	3005233	5,466	3005288
100 KME 500 DD COVER	100	500	2	4,497	3005179	5,624	3005234	6,752	3005289
100 KME 600 DD COVER	100	600	2	5,354	3005180	6,696	3005235	8,038	3005290
125 KME 200 DD COVER	125	200	2	2,088	3005182	2,572	3005237	3,055	3005292
125 KME 300 DD COVER	125	300	2	3,016	3005184	3,715	3005239	4,413	3005294
125 KME 400 DD COVER	125	400	2	3,945	3005185	4,858	3005240	5,771	3005295
125 KME 500 DD COVER	125	500	2	4,873	3005186	6,001	3005241	7,128	3005296
125 KME 600 DD COVER	125	600	2	5,801	3005187	7,143	3005242	8,485	3005297
150 KME 200 DD COVER	150	200	2	2,248	3005188	2,732	3005243	3,216	3005298
150 KME 300 DD COVER	150	300	2	3,248	3005190	3,947	3005245	4,645	3005300
150 KME 400 DD COVER	150	400	2	4,248	3005191	5,161	3005246	6,074	3005301
150 KME 500 DD COVER	150	500	2	5,248	3005192	6,377	3005247	7,504	3005302
150 KME 600 DD COVER	150	600	2	6,249	3005193	7,591	3005248	8,933	3005303



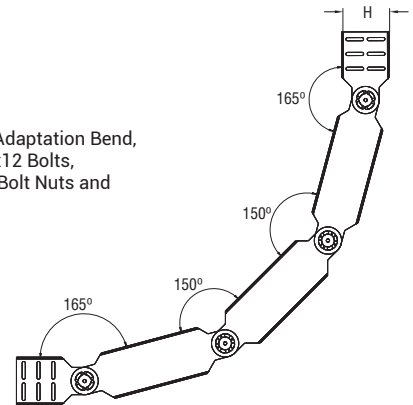
- Please contact your representative for inquiries regarding stainless steel alternatives.
- Please indicate product code in your orders.
- Please contact us for special dimensions.
- Material weights may vary by ± 10%

- All dimensions are given as in mm
- PG= Pre-Galvanized
- HDG= Hot Dip Galvanized

Description	H (mm)	A (mm)	T (mm)	Weight (kg/pcs)	HDG Code
040 KME 100 SDM	40	100	2	2,492	3001527
040 KME 200 SDM	40	200	2	2,916	3001528
040 KME 300 SDM	40	300	2	3,342	3001529
040 KME 400 SDM	40	400	2	4,290	3001530
040 KME 500 SDM	40	500	2	4,847	3001531
040 KME 600 SDM	40	600	2	5,402	3001532
050 KME 100 SDM	50	100	2	2,764	3001533
050 KME 200 SDM	50	200	2	3,190	3001534
050 KME 300 SDM	50	300	2	3,615	3001535
050 KME 400 SDM	50	400	2	4,563	3001536
050 KME 500 SDM	50	500	2	5,119	3001537
050 KME 600 SDM	50	600	2	5,675	3001538
060 KME 100 SDM	60	100	2	3,133	3001539
060 KME 200 SDM	60	200	2	3,559	3001540
060 KME 300 SDM	60	300	2	3,983	3001541
060 KME 400 SDM	60	400	2	4,931	3001542
060 KME 500 SDM	60	500	2	5,488	3001543
060 KME 600 SDM	60	600	2	6,043	3001544
075 KME 100 SDM	75	100	2	3,571	3001545
075 KME 200 SDM	75	200	2	3,996	3001546
075 KME 300 SDM	75	300	2	4,421	3001547
075 KME 400 SDM	75	400	2	5,370	3001548
075 KME 500 SDM	75	500	2	5,926	3001549
075 KME 600 SDM	75	600	2	6,482	3001550
100 KME 200 SDM	100	200	2	4,521	3001551
100 KME 300 SDMs	100	300	2	4,733	3001552
100 KME 400 SDM	100	400	2	4,946	3001553
100 KME 500 SDM	100	500	2	5,895	3001554
100 KME 600 SDM	100	600	2	6,450	3001555
125 KME 200 SDM	125	200	2	5,484	3002413
125 KME 300 SDM	125	300	2	5,909	3002414
125 KME 400 SDM	125	400	2	6,857	3002415
125 KME 500 SDM	125	500	2	7,413	3002416
125 KME 600 SDM	125	600	2	7,970	3002417
150 KME 200 SDM	150	200	2	6,069	3002418
150 KME 300 SDM	150	300	2	6,493	3002419
150 KME 400 SDM	150	400	2	7,442	3002420
150 KME 500 SDM	150	500	2	7,998	3002421
150 KME 600 SDM	150	600	2	8,554	3002422



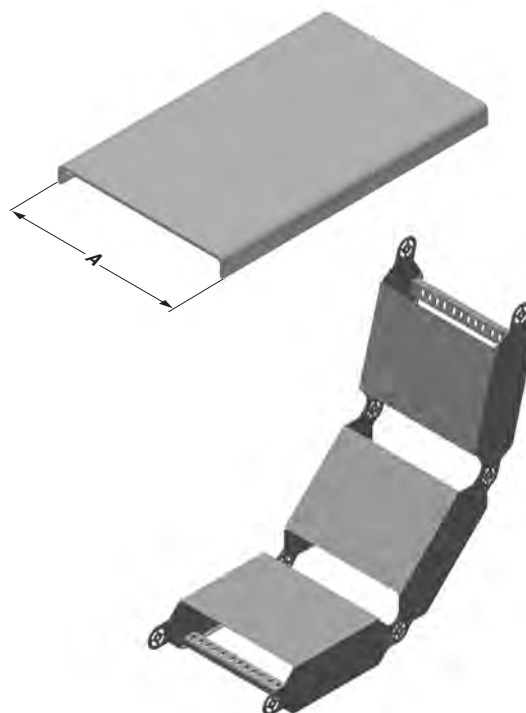
Includes:  
 1 Unit of Level Adaptation Bend,  
 16 Units of M6x12 Bolts,  
 16 Units of M6 Bolt Nuts and  
 4 Units of SDE.



- Please contact your representative for inquiries regarding stainless steel alternatives.
- Please indicate product code in your orders.
- Please contact us for special dimensions.
- Material weights may vary by  $\pm 10\%$

- All dimensions are given as in mm
- PG= Pre-Galvanized
- HDG= Hot Dip Galvanized

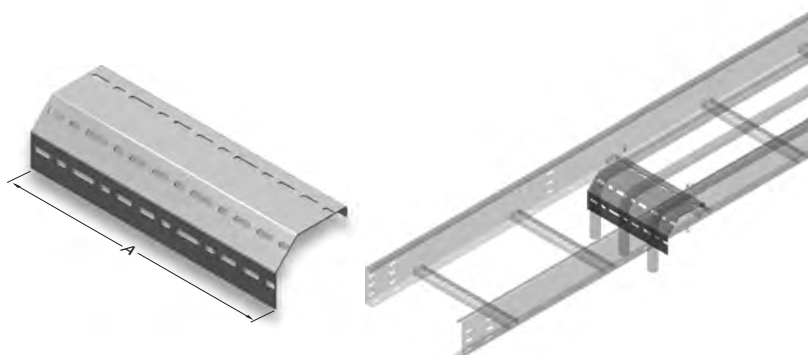
Description	A (mm)	T (mm)	Weight (kg/pcs)	HDG Code
040-050-060 KME 100 SDM COVER	100	2	0,419	3253426
040-050-060 KME 200 SDM COVER	200	2	0,765	3253428
040-050-060 KME 300 SDM COVER	300	2	1,110	3253430
040-050-060 KME 400 SDM COVER	400	2	1,455	3253431
040-050-060 KME 500 SDM COVER	500	2	1,801	3253432
040-050-060 KME 600 SDM COVER	600	2	2,146	3253433
075-100 KME 100 SDM COVER	100	2	0,356	3253435
075-100 KME 200 SDM COVER	200	2	0,650	3253437
075-100 KME 300 SDM COVER	300	2	0,944	3253441
075-100 KME 400 SDM COVER	400	2	1,238	3253442
075-100 KME 500 SDM COVER	500	2	1,531	3253443
075-100 KME 600 SDM COVER	600	2	1,825	3253444
125-150 KME 200 SDM COVER	200	2	0,573	3253446
125-150 KME 300 SDM COVER	300	2	0,833	3253448
125-150 KME 400 SDM COVER	400	2	1,091	3253449
125-150 KME 500 SDM COVER	500	2	1,351	3253450
125-150 KME 600 SDM COVER	600	2	1,609	3253451



### ► KME Exit Accessory

Hot Dip Galvanized (TS EN ISO 1461)

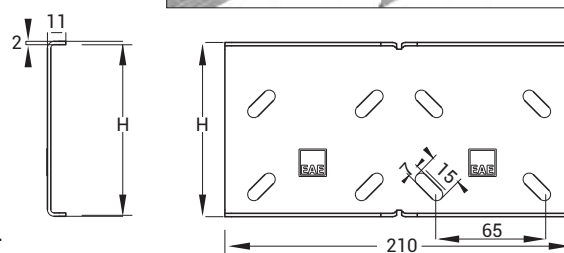
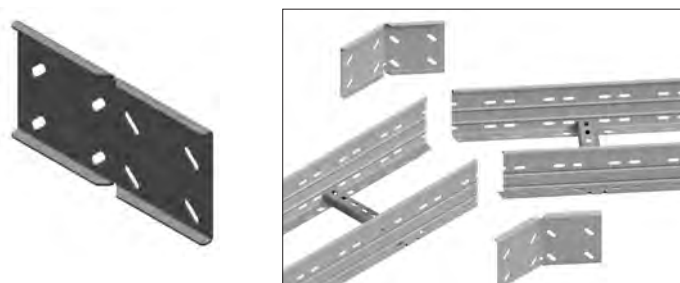
Description	A (mm)	T (mm)	Weight (kg/pcs)	HDG Code
100 EXIT ACCESSORY	50	2	0,139	3030317
200 EXIT ACCESSORY	150	2	0,442	3001150
300 EXIT ACCESSORY	250	2	0,743	3001151
400 EXIT ACCESSORY	350	2	1,042	3001152
500 EXIT ACCESSORY	450	2	1,340	3001153
600 EXIT ACCESSORY	550	2	1,655	3001154



### ► KME Notched Joint Fitting

Hot Dip Galvanized (TS EN ISO 1461)

Description	H (mm)	Weight (kg/pcs)	HDG Code
040 KME NOTCHED JOINT FITTING	45	0,205	3187841
050 KME NOTCHED JOINT FITTING	55	0,241	3187842
060 KME NOTCHED JOINT FITTING	65	0,278	3187843
075 KME NOTCHED JOINT FITTING	80	0,322	3187844
100 KME NOTCHED JOINT FITTING	105	0,413	3187845
125 KME NOTCHED JOINT FITTING	130	0,484	3187846
150 KME NOTCHED JOINT FITTING	155	0,584	3187847



- Please contact your representative for inquiries regarding stainless steel alternatives.
- Please indicate product code in your orders.
- Please contact us for special dimensions.
- Material weights may vary by ± 10%

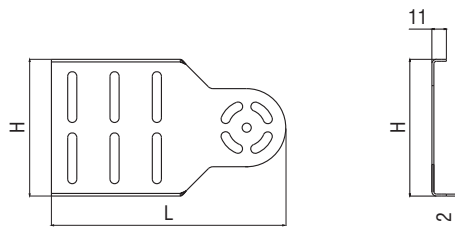
- All dimensions are given as in mm
- PG= Pre-Galvanized
- HDG= Hot Dip Galvanized

## ►► KME LEVEL ADAPTATION JOINT

Hot Dip Galvanized (TS EN ISO 1461)

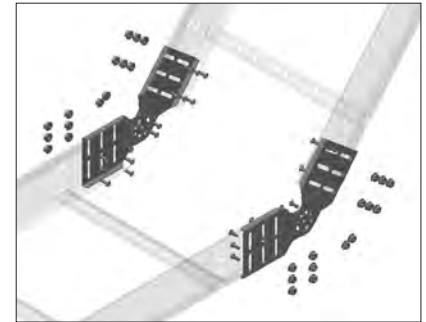
Description	H (mm)	Number of Packages (pc)	T=1,2		T=1,5		T=2	
			Weight (kg/pcs)	HDG Code	Weight (kg/pcs)	HDG Code	Weight (kg/pcs)	HDG Code
040 SDE	40	10	0,344	3300945	0,420	3300950	0,548	3005394
050 SDE	50	10	0,396	3300946	0,484	3300951	0,636	3006951
060 SDE	60	10	0,428	3300947	0,524	3300952	0,688	3005392
075 SDE	75	10	0,548	3300948	0,676	3300953	0,888	3006949
100 SDE	100	10	0,652	3300949	0,804	3300954	1,060	3006947
125 SDE	125	10	-	-	1,072	3300955	1,412	3003326
150 SDE	150	10	-	-	1,176	3300956	1,556	3003327

Level Adaptation Joint



Level adaptation joint set contains right and left vertical adjustable joint Units and 4 M6x12 bolt set.

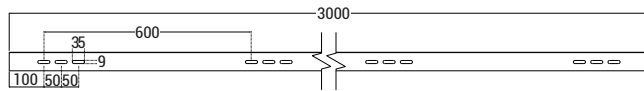
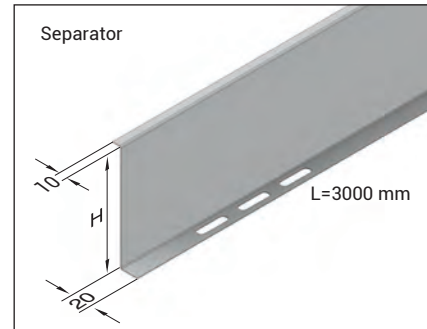
40/50/60 KME-SDE L=160  
75/100 KME-SDE L=180  
125/150 KME-SDE L=180



## ►► KME Separator

Hot Dip Galvanized (TS EN ISO 1461)

Description	H (mm)	T (mm)	Weight (kg/m)	HDG Code
040 KME Separator	18	0,8	0,292	3234578
050 KME Separator	28	0,8	0,361	3234580
060 KME Separator	38	0,8	0,416	3234582
075 KME Separator	53	1	0,675	3234583
100 KME Separator	78	1	0,891	3234584
125 KME Separator	103	1	1,081	3234585
150 KME Separator	128	1	1,323	3234586



■ Please contact your representative for inquiries regarding stainless steel alternatives.

■ Please indicate product code in your orders.

■ Please contact us for special dimensions.

■ Material weights may vary by  $\pm 10\%$

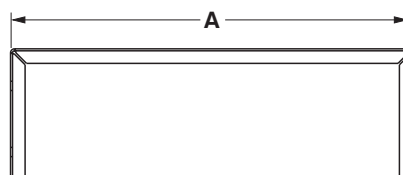
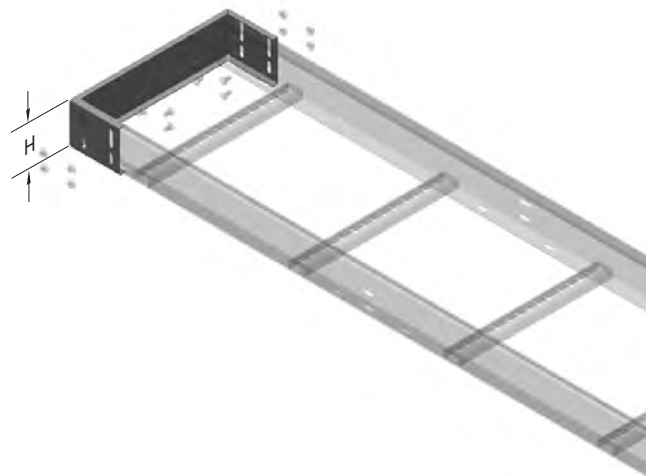
■ All dimensions are given as in mm

■ PG= Pre-Galvanized

■ HDG= Hot Dip Galvanized



Description	H (mm)	A (mm)	T (mm)	Weight (kg/pcs)	HDG Code
040 KME 100	40	100	2	0,282	3030319
040 KME 200	40	200	2	0,391	3030321
040 KME 300	40	300	2	0,491	3030323
040 KME 400	40	400	2	0,593	3030324
040 KME 500	40	500	2	0,701	3030325
040 KME 600	40	600	2	0,803	3030326
050 KME 100	50	100	2	0,333	3030328
050 KME 200	50	200	2	0,454	3030330
050 KME 300	50	300	2	0,576	3030332
050 KME 400	50	400	2	0,697	3030333
050 KME 500	50	500	2	0,818	3030334
050 KME 600	50	600	2	0,941	3030335
060 KME 100	60	100	2	0,381	3030336
060 KME 200	60	200	2	0,519	3030338
060 KME 300	60	300	2	0,657	3030340
060 KME 400	60	400	2	0,797	3030341
060 KME 500	60	500	2	0,935	3030342
060 KME 600	60	600	2	1,074	3030343
075 KME 100	75	100	2	0,449	3030344
075 KME 200	75	200	2	0,614	3030346
075 KME 300	75	300	2	0,779	3030348
075 KME 400	75	400	2	0,944	3030349
075 KME 500	75	500	2	1,109	3030350
075 KME 600	75	600	2	1,273	3030351
100 KME 100	100	100	2	0,568	3030352
100 KME 200	100	200	2	0,776	3030354
100 KME 300	100	300	2	0,984	3030356
100 KME 400	100	400	2	1,192	3030357
100 KME 500	100	500	2	1,411	3030358
100 KME 600	100	600	2	1,608	3030359
125 KME 200	125	200	2	0,943	3030361
125 KME 300	125	300	2	1,194	3030363
125 KME 400	125	400	2	1,445	3030364
125 KME 500	125	500	2	1,697	3030365
125 KME 600	125	600	2	1,947	3030366
150 KME 200	150	200	2	1,103	3030367
150 KME 300	150	300	2	1,396	3030369
150 KME 400	150	400	2	1,691	3030370
150 KME 500	150	500	2	1,985	3030371
150 KME 600	150	600	2	2,281	3030372



- Please contact your representative for inquiries regarding stainless steel alternatives.
- Please indicate product code in your orders.
- Please contact us for special dimensions.
- Material weights may vary by  $\pm 10\%$

- All dimensions are given as in mm
- PG= Pre-Galvanized
- HDG= Hot Dip Galvanized

## ►► KME FIXING UNITS

Pre-Galvanized (TS EN 10346 - TS EN 10143)

### ►► KME FIXING UNIT

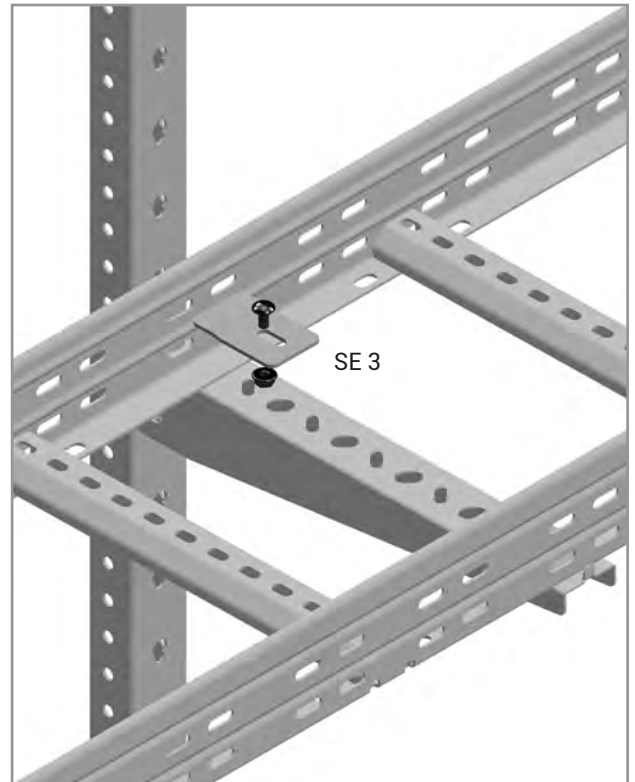
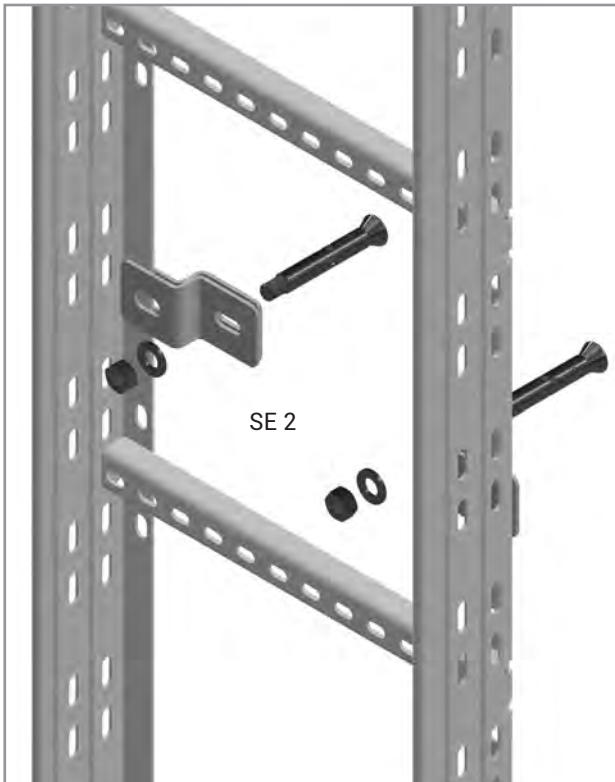
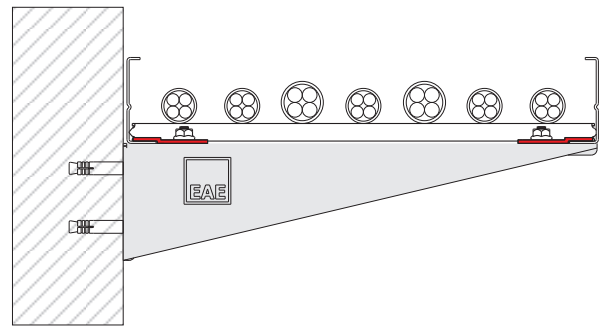
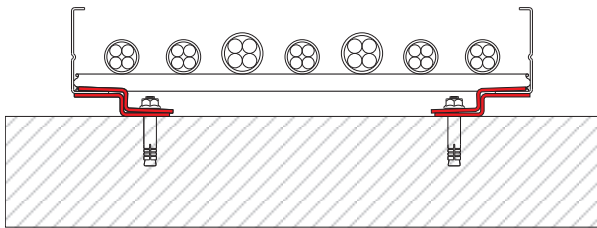
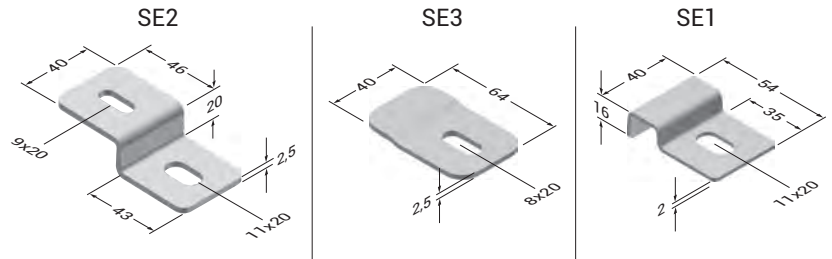
Alkali Zinc

Description	Weight (kg/pcs)	PG Code
SE1 KME FIXING UNIT	0,046	3026173

### ►► KME FIXING UNIT

Alkali Zinc

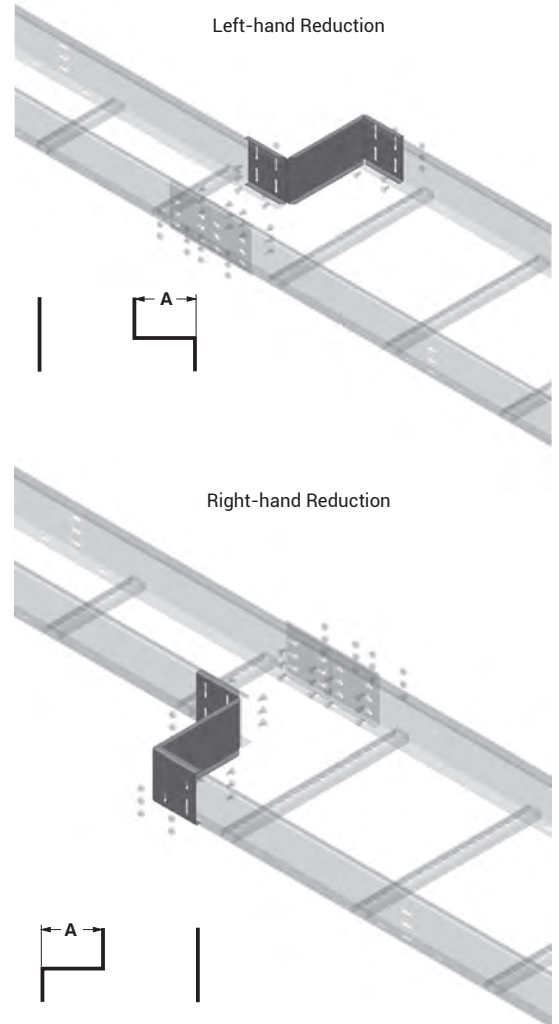
Description	Weight (kg/pcs)	Order Code
SE2 KME FIXING UNITS	0,079	3006651
SE3 KME FIXING UNITS	0,049	3006650



- Please contact your representative for inquiries regarding stainless steel alternatives.
- Please indicate product code in your orders.
- Please contact us for special dimensions.
- Material weights may vary by  $\pm 10\%$

- All dimensions are given as in mm
- PG= Pre-Galvanized
- HDG= Hot Dip Galvanized

Description	H (mm)	A (mm)	T (mm)	Weight (kg/pcs)	HDG Code
40 KME RD 25	40	25	2	0,206	3002260
40 KME RD 50	40	50	2	0,232	3002262
40 KME RD100	40	100	2	0,284	3002264
40 KME RD150	40	150	2	0,337	3002266
40 KME RD200	40	200	2	0,388	3002268
40 KME RD250	40	250	2	0,441	3002270
40 KME RD300	40	300	2	0,493	3002272
50 KME RD 25	50	25	2	0,244	3002274
50 KME RD 50	50	50	2	0,275	3002276
50 KME RD100	50	100	2	0,336	3002278
50 KME RD150	50	150	2	0,396	3002280
50 KME RD200	50	200	2	0,457	3002282
50 KME RD250	50	250	2	0,518	3002284
50 KME RD300	50	300	2	0,579	3002286
60 KME RD 25	60	25	2	0,274	3002288
60 KME RD 50	60	50	2	0,308	3002290
60 KME RD100	60	100	2	0,377	3002292
60 KME RD150	60	150	2	0,447	3002294
60 KME RD200	60	200	2	0,517	3002296
60 KME RD250	60	250	2	0,586	3002298
60 KME RD300	60	300	2	0,656	3002300
75 KME RD 25	75	25	2	0,323	3002302
75 KME RD 50	75	50	2	0,365	3002304
75 KME RD100	75	100	2	0,448	3002306
75 KME RD150	75	150	2	0,530	3002308
75 KME RD200	75	200	2	0,612	3002310
75 KME RD250	75	250	2	0,694	3002312
75 KME RD300	75	300	2	0,777	3002314
100 KME RD 25	100	25	2	0,419	3002316
100 KME RD 50	100	50	2	0,472	3002318
100 KME RD100	100	100	2	0,575	3002320
100 KME RD150	100	150	2	0,680	3002322
100 KME RD200	100	200	2	0,783	3002324
100 KME RD250	100	250	2	0,888	3002326
100 KME RD300	100	300	2	0,991	3002328
125 KME RD 25	125	25	2	0,510	3003332
125 KME RD 50	125	50	2	0,573	3003333
125 KME RD 100	125	100	2	0,699	3003334
125 KME RD 150	125	150	2	0,825	3003335
125 KME RD 200	125	200	2	0,950	3003336
125 KME RD 250	125	250	2	1,076	3003337
125 KME RD 300	125	300	2	1,201	3003338
150 KME RD 25	150	25	2	0,596	3003339
150 KME RD 50	150	50	2	0,670	3003340
150 KME RD 100	150	100	2	0,817	3003341
150 KME RD 150	150	150	2	0,964	3003342
150 KME RD 200	150	200	2	1,111	3003343
150 KME RD 250	150	250	2	1,258	3003344
150 KME RD 300	150	300	2	1,406	3003345

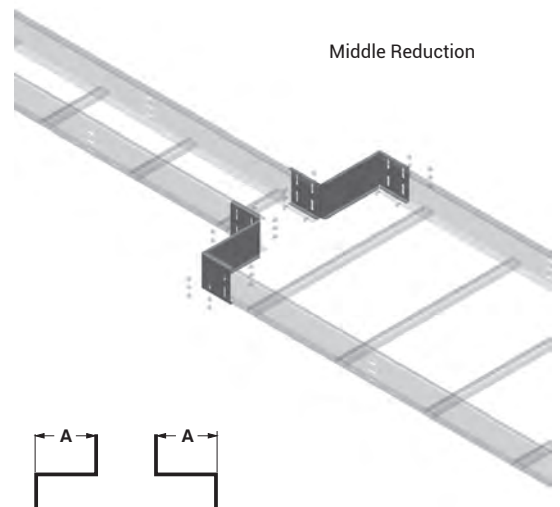


KM

- Please contact your representative for inquiries regarding stainless steel alternatives.
- Please indicate product code in your orders.
- Please contact us for special dimensions.
- Material weights may vary by ± 10%

- All dimensions are given as in mm
- PG= Pre-Galvanized
- HDG= Hot Dip Galvanized

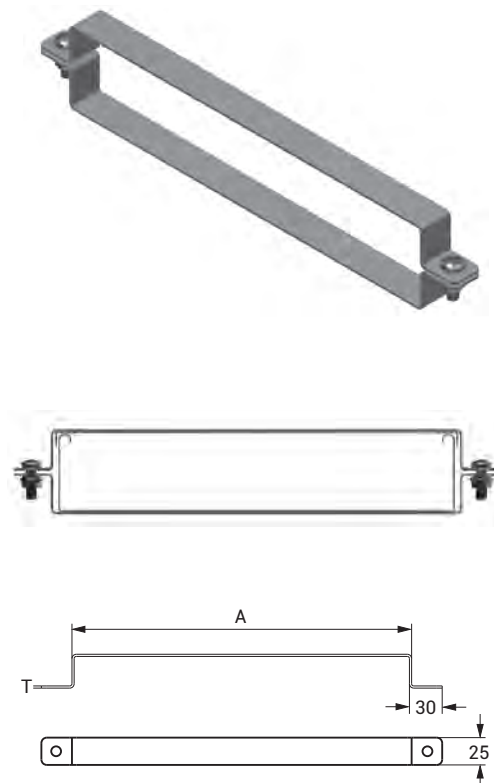
Description	H (mm)	A (mm)	T (mm)	Weight (kg/pcs)	HDG Code
40 KME RD 25	40	25	2	0,411	3006059
40 KME RD 50	40	50	2	0,464	3006057
40 KME RD100	40	100	2	0,568	3006055
40 KME RD150	40	150	2	0,673	3006053
40 KME RD200	40	200	2	0,777	3006051
40 KME RD250	40	250	2	0,882	3006049
40 KME RD300	40	300	2	0,986	3006047
50 KME RD 25	50	25	2	0,488	3006045
50 KME RD 50	50	50	2	0,550	3006043
50 KME RD100	50	100	2	0,671	3006041
50 KME RD150	50	150	2	0,792	3006039
50 KME RD200	50	200	2	0,913	3006037
50 KME RD250	50	250	2	1,036	3006035
50 KME RD300	50	300	2	1,157	3006033
60 KME RD 25	60	25	2	0,548	3006031
60 KME RD 50	60	50	2	0,616	3006029
60 KME RD100	60	100	2	0,755	3006027
60 KME RD150	60	150	2	0,893	3006025
60 KME RD200	60	200	2	1,034	3006023
60 KME RD250	60	250	2	1,173	3006021
60 KME RD300	60	300	2	1,311	3006019
75 KME RD 25	75	25	2	0,647	3006935
75 KME RD 50	75	50	2	0,730	3006933
75 KME RD100	75	100	2	0,895	3006931
75 KME RD150	75	150	2	1,060	3006929
75 KME RD200	75	200	2	1,223	3006927
75 KME RD250	75	250	2	1,388	3006925
75 KME RD300	75	300	2	1,553	3006923
100 KME RD 25	100	25	2	0,838	3006921
100 KME RD 50	100	50	2	0,944	3006919
100 KME RD100	100	100	2	1,151	3006917
100 KME RD150	100	150	2	1,360	3006915
100 KME RD200	100	200	2	1,566	3006913
100 KME RD250	100	250	2	1,775	3006911
100 KME RD300	100	300	2	1,982	3006909
125 KME RD 25	125	25	2	1,021	3003346
125 KME RD 50	125	50	2	1,146	3003347
125 KME RD 100	125	100	2	1,397	3003348
125 KME RD 150	125	150	2	1,650	3003349
125 KME RD 200	125	200	2	1,901	3003350
125 KME RD 250	125	250	2	2,152	3003351
125 KME RD 300	125	300	2	2,402	3003352
150 KME RD 25	150	25	2	1,192	3003353
150 KME RD 50	150	50	2	1,340	3003354
150 KME RD 100	150	100	2	1,635	3003355
150 KME RD 150	150	150	2	1,927	3003356
150 KME RD 200	150	200	2	2,222	3003357
150 KME RD 250	150	250	2	2,517	3003358
150 KME RD 300	150	300	2	2,812	3003359



- Please contact your representative for inquiries regarding stainless steel alternatives.
- Please indicate product code in your orders.
- Please contact us for special dimensions.
- Material weights may vary by ± 10%

- All dimensions are given as in mm
- PG= Pre-Galvanized
- HDG= Hot Dip Galvanized

Description	A (mm)	T (mm)	Weight (kg/pcs)	HDG Code
40 KME OMEGA CLAMP 100	111	2	0,167	3137731
40 KME OMEGA CLAMP 200	211	2	0,253	3137733
40 KME OMEGA CLAMP 300	311	2	0,341	3137735
40 KME OMEGA CLAMP 400	411	2	0,427	3137736
40 KME OMEGA CLAMP 500	511	2	0,513	3137737
40 KME OMEGA CLAMP 600	611	2	0,598	3137738
50 KME OMEGA CLAMP 100	111	2	0,176	3137740
50 KME OMEGA CLAMP 200	211	2	0,262	3137742
50 KME OMEGA CLAMP 300	311	2	0,350	3137744
50 KME OMEGA CLAMP 400	411	2	0,436	3137745
50 KME OMEGA CLAMP 500	511	2	0,521	3137747
50 KME OMEGA CLAMP 600	611	2	0,607	3137748
60 KME OMEGA CLAMP 100	111	2	0,185	3137795
60 KME OMEGA CLAMP 200	211	2	0,271	3137797
60 KME OMEGA CLAMP 300	311	2	0,356	3137799
60 KME OMEGA CLAMP 400	411	2	0,444	3137800
60 KME OMEGA CLAMP 500	511	2	0,530	3137801
60 KME OMEGA CLAMP 600	611	2	0,616	3137802
75 KME OMEGA CLAMP 100	111	2	0,198	3137803
75 KME OMEGA CLAMP 200	211	2	0,284	3137805
75 KME OMEGA CLAMP 300	311	2	0,370	3137807
75 KME OMEGA CLAMP 400	411	2	0,458	3137808
75 KME OMEGA CLAMP 500	511	2	0,543	3137809
75 KME OMEGA CLAMP 600	611	2	0,629	3137811
100 KME OMEGA CLAMP 200	211	2	0,306	3137814
100 KME OMEGA CLAMP 300	311	2	0,392	3137816
100 KME OMEGA CLAMP 400	411	2	0,477	3137817
100 KME OMEGA CLAMP 500	511	2	0,565	3137818
100 KME OMEGA CLAMP 600	611	2	0,651	3137819
125 KME OMEGA CLAMP 200	211	2	0,328	3137822
125 KME OMEGA CLAMP 300	311	2	0,414	3137824
125 KME OMEGA CLAMP 400	411	2	0,499	3137825
125 KME OMEGA CLAMP 500	511	2	0,585	3137826
125 KME OMEGA CLAMP 600	611	2	0,673	3137827
150 KME OMEGA CLAMP 200	211	2	0,350	3137830
150 KME OMEGA CLAMP 250	261	2	0,392	3137831
150 KME OMEGA CLAMP 300	311	2	0,436	3137832
150 KME OMEGA CLAMP 400	411	2	0,521	3137833
150 KME OMEGA CLAMP 500	511	2	0,607	3137834
150 KME OMEGA CLAMP 600	611	2	0,695	3137835



Note: Bolt set is included in the product delivered.

- Please contact your representative for inquiries regarding stainless steel alternatives.
- Please indicate product code in your orders.
- Please contact us for special dimensions.
- Material weights may vary by  $\pm 10\%$

- All dimensions are given as in mm
- PG= Pre-Galvanized
- HDG= Hot Dip Galvanized

## ▶▶ PROJECT DESIGN FORM

Component List	Quantity	
Item	Component	
Company: Project: Project No:		Name : Date : Signature : <b>Prepared by</b>

Please duplicate this page for your own use.



## ▶▶ PROJECT DESIGN FORM

Component List	Quantity	
Item	Component	
Please duplicate this page for your own use.		
Company: Project: Project No:		Name : Date : Signature :  Prepared by