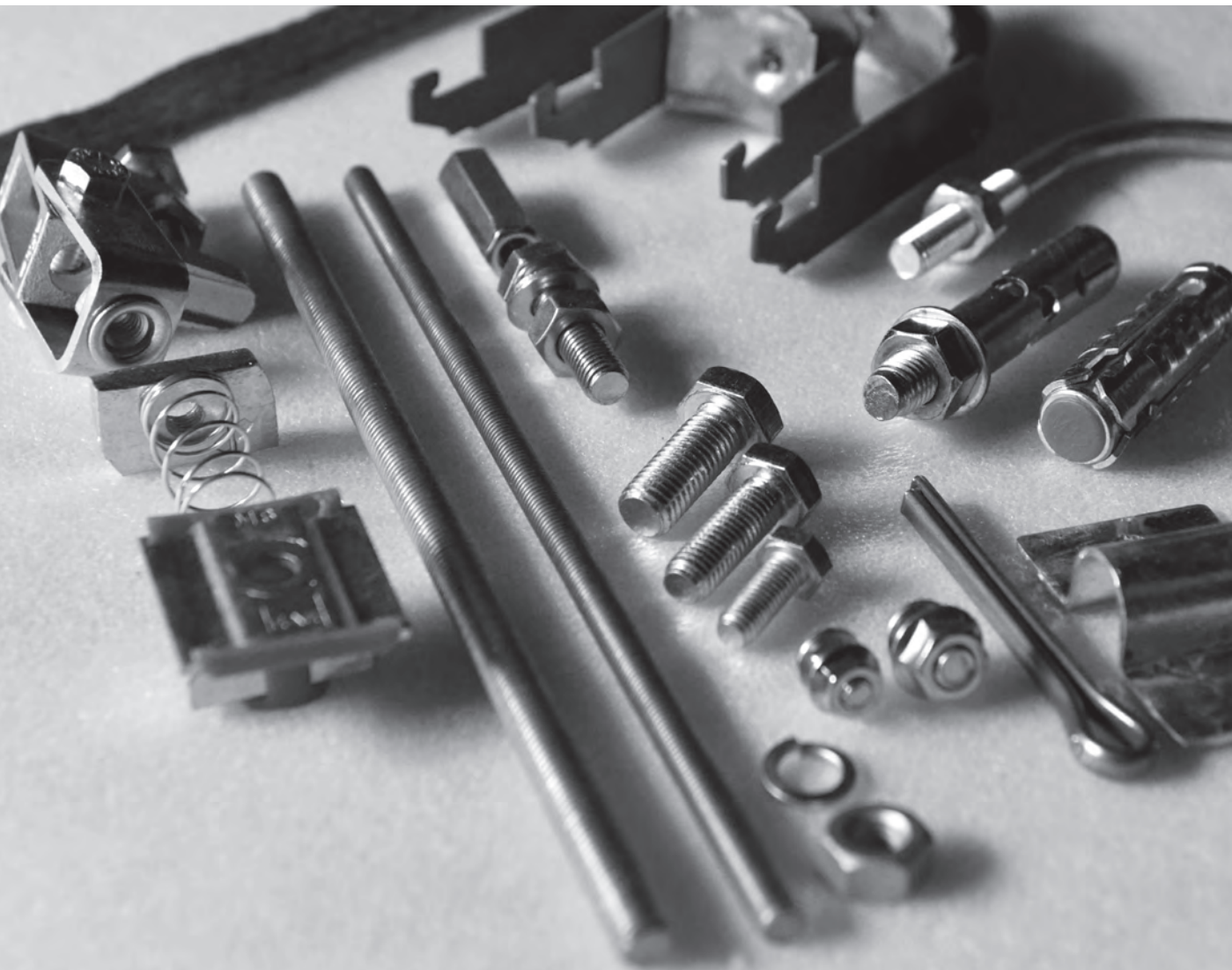




# ACCESSORIES

CONNECTION MODULES



AKS

# ACCESSORIES

Please visit our website for the updated version of our catalogues.  
[www.eaeelectric.com](http://www.eaeelectric.com)



# CONTENTS

---

## ▶▶ E-LINE A

---

Connection Accessories .....	2-5
Quick Binrak Nut .....	6
Connection Accessories .....	7
Cable Clamp .....	8-10
Earthing Components .....	11-12
Piping Systems .....	13-15
Beam Clamp .....	16
Fixing Accessories .....	17-18
Pipe Accessories .....	19-25

Description	Tensile Load (kg)	Weight (kg/pcs)	Order Code
Hex. Head Bolt M6x20	100	0,007	1000550
Hex. Head Bolt M8x20	150	0,012	1000559
Hex. Head Bolt M10x30	400	0,027	1000566
Hex. Head Bolt M10x40	400	0,031	1000567
Hex. Head Bolt M10x50	400	0,035	1000568
Hex. Head Bolt M12x30	600	0,039	1000695

Hex. Head Bolt



Description	Tensile Load (kg)	Weight (kg/pcs)	Order Code
M6 Steel Nut	100	0,004	1000520
M8 Steel Nut	150	0,005	1000521
M10 Steel Nut	400	0,010	1000522
M12 Steel Nut	600	0,015	1000964

Steel Nut



(Lacquered)

Description	Weight (kg/pcs)	Order Code
M6 Washer	0,001	1000501
M8 Washer	0,002	1000502
M10 Washer	0,003	1000504
M12 Washer	0,005	1000505

Washer



(Lacquered)

Description	Weight (kg/pcs)	Order Code
M6 Spring Washer	0,001	1000506
M8 Spring Washer	0,001	1000507
M10 Spring Washer	0,002	1000508
M12 Spring Washer	0,003	1000509

Spring Washer



Description	Tensile Load (kg)	Weight (kg/pcs)	Order Code
M6 Flanged Nut	100	0,007	1001091
M8 Flanged Nut	150	0,013	1001181
M10 Flanged Nut	400	0,020	1000182
M12 Flanged Nut	600	0,027	1005927

Flanged Nut



- Please indicate order code in your orders.
- Please contact us for special dimensions.
- Material weights may vary by  $\pm 10\%$

■ All dimensions are given as in mm

- PG= Pre-Galvanized
- HDG= Hot Dip Galvanized

Description	Weight (kg/pcs)	Order Code
M6 Spring Traverse Nut (long spring)	0,030	1004216
M8 Spring Traverse Nut (long spring)	0,028	1001311
M10 Spring Traverse Nut (long spring)	0,039	1001312
M12 Spring Traverse Nut (long spring)	0,038	1001313

■ Suitable for 41x41 BINRAK.

### Spring Traverse Nut



Description	Weight (kg/pcs)	Order Code
M6 Spring Traverse Nut (short spring)	0,030	1065332
M8 Spring Traverse Nut (short spring)	0,028	1065333
M10 Spring Traverse Nut (short spring)	0,039	1065334
M12 Spring Traverse Nut (short spring)	0,038	1065335

■ Suitable for 41x21 BINRAK

Description	Weight (kg/pcs)	Order Code
M6 Travers Nut	0,020	1003108
M8 Travers Nut	0,025	1003105
M10 Travers Nut	0,035	1003106
M12 Travers Nut	0,038	1003107

### Travers Nut



Description	Weight (kg/pcs)	Order Code
M6 Spring Sheet Traverse Nut (long spring)	0,028	1026710
M8 Spring Sheet Traverse Nut (long spring)	0,031	1026711
M10 Spring Sheet Traverse Nut (long spring)	0,036	1026712
M12 Spring Sheet Traverse Nut (long spring)	0,040	1026713

■ Suitable for 41x41 BINRAK.

### Spring Sheet Traverse Nut



Description	Weight (kg/pcs)	Order Code
M6 Spring Sheet Traverse Nut (short spring)	0,028	1065336
M8 Spring Sheet Traverse Nut (short spring)	0,031	1065337
M10 Spring Sheet Traverse Nut (short spring)	0,036	1065339
M12 Spring Sheet Traverse Nut (short spring)	0,040	1065340

■ Suitable for 41x21 BINRAK

Description	Weight (kg/pcs)	Order Code
M6 Sheet Sleeper Nut	0,018	1026714
M8 Sheet Sleeper Nut	0,023	1026715
M10 Sheet Sleeper Nut	0,032	1026716
M12 Sheet Sleeper Nut	0,035	1026717

### Sheet Sleeper Nut



■ Please indicate order code in your orders.

■ Please contact us for special dimensions.

■ Material weights may vary by ± 10%

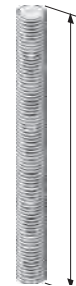
■ All dimensions are given as in mm

■ PG= Pre-Galvanized

■ HDG= Hot Dip Galvanized

Description	Tensile Load (kg)	Weight (kg/pcs)	Order Code
Threaded Rod (M8x500)	150	0,145	5000039
Threaded Rod (M8x1000)	150	0,295	5000038
Threaded Rod (M8x1500)	150	0,440	5000035
Threaded Rod (M8x2000)	150	0,600	5000036
Threaded Rod (M8x3000)	150	0,897	5000006
Threaded Rod (M10x500)	400	0,245	5000037
Threaded Rod (M10x1000)	400	0,490	5000032
Threaded Rod (M10x1500)	400	0,735	5000031
Threaded Rod (M10x2000)	400	1,030	5000030
Threaded Rod (M10x3000)	400	1,520	5000029
Threaded Rod (M12x2000)	600	1,300	5000024
Threaded Rod (M6x1000) Electrogalvanized	100	0,222	5000357
Threaded Rod (M6x2000) Electrogalvanized	100	0,444	5000358
Threaded Rod (M6x3000) Electrogalvanized	100	0,666	5000359
Threaded Rod (M8x500) Electrogalvanized	150	0,145	5000169
Threaded Rod (M8x1000) Electrogalvanized	150	0,295	5000170
Threaded Rod (M8x1500) Electrogalvanized	150	0,440	5000171
Threaded Rod (M8x2000) Electrogalvanized	150	0,600	1004220
Threaded Rod (M8x3000) Electrogalvanized	150	0,897	5000302
Threaded Rod (M10x500) Electrogalvanized	400	0,245	5000172
Threaded Rod (M10x1000) Electrogalvanized	400	0,490	5000173
Threaded Rod (M10x1500) Electrogalvanized	400	0,735	5000174
Threaded Rod (M10x2000) Electrogalvanized	400	1,030	5000175
Threaded Rod (M10x3000) Electrogalvanized	400	1,571	5000301
Threaded Rod (M12x2000) Electrogalvanized	600	1,030	5001197

Threaded Rod



Description	Tensile Load (kg)	Weight (kg/pcs)	Order Code
Extension Nut (M8)	150	0,030	1004313
Extension Nut (M10)	400	0,070	1004312
Extension Nut (M12)	600	0,115	1004282

Extension Nut



(Lacquered)

- Please indicate order code in your orders.
- Please contact us for special dimensions.
- Material weights may vary by  $\pm 10\%$

■ All dimensions are given as in mm

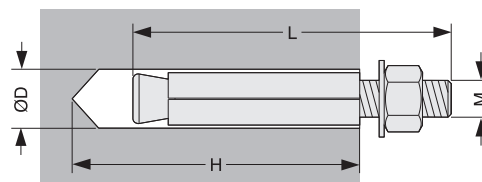
- PG= Pre-Galvanized
- HDG= Hot Dip Galvanized

Description	Tensile Load (kg)	Weight (kg/pcs)	Order Code
EAE Pull-off Dowel (M6)	100	0,028	5000027
EAE Pull-off Dowel (M8)	150	0,030	5000033
EAE Pull-off Dowel (M10)	400	0,070	5000023
EAE Pull-off Dowel (M12)	600	0,120	5000022

Pull-off Dowel



M	L (mm)	ØD (mm)	H (mm)
M6	65	10	75
M8	60	11	70
M10	85	15	95
M12	90	16	100

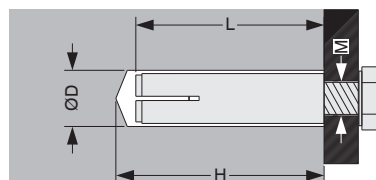


Description	Tensile Load (kg)	Weight (kg/pcs)	Order Code
Driven Dowel (M8)	150	0,010	5000018
Driven Dowel (M10)	400	0,020	5000017

Driven Dowel



M	L (mm)	ØD (mm)	H (mm)
M8	30	10	30
M10	40	12	40

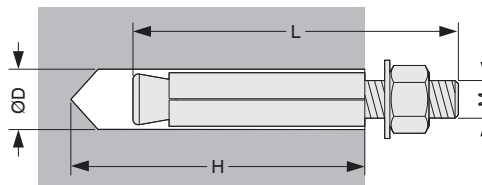


Description	Tensile Load (kg)	Weight (kg/pcs)	Order Code
Pull Dowel (Jacketed) (M6)	100	0,033	5000007
Pull Dowel (Jacketed) (M8)	150	0,030	5000008
Pull Dowel (Jacketed) (M10)	400	0,070	5000009
Pull Dowel (Jacketed) (M12)	600	0,120	5000010

Pull Dowel (Jacketed)



M	L (mm)	ØD (mm)	H (mm)
M6	46	8	55
M8	55	10	80
M10	85	12	95
M12	90	16	100

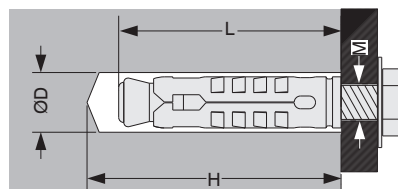


Description	Tensile Load (kg)	Weight (kg/pcs)	Order Code
Pull Dowel "S" Type (M6)	100	0,011	5000011
Pull Dowel "S" Type (M8)	150	0,016	5000012
Pull Dowel "S" Type (M10)	400	0,031	5000013
Pull Dowel "S" Type (M12)	600	0,053	5000014

Pull Dowel "S" Type



M	L (mm)	ØD (mm)	H (mm)
M6	46	10	50
M8	50	12	60
M10	55	15	70
M12	80	18	85

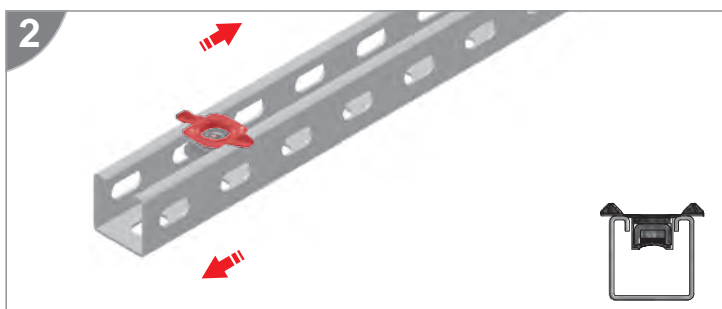
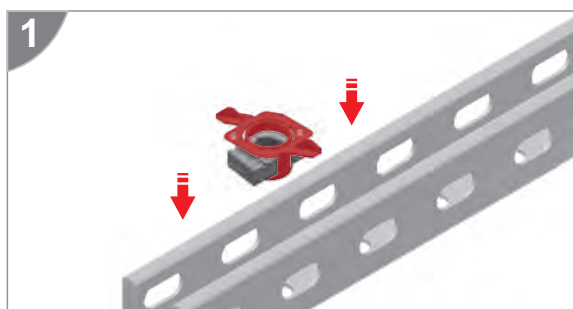


- Please indicate order code in your orders.
- Please contact us for special dimensions.
- Material weights may vary by ± 10%

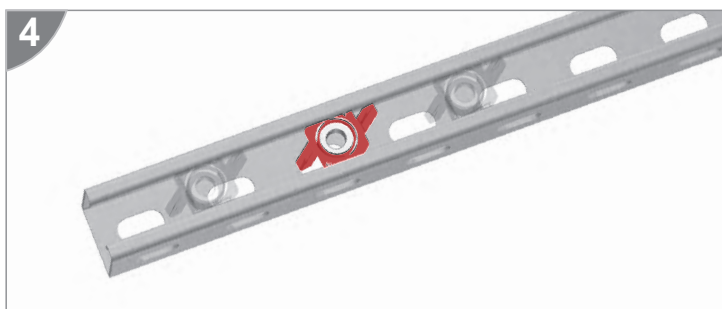
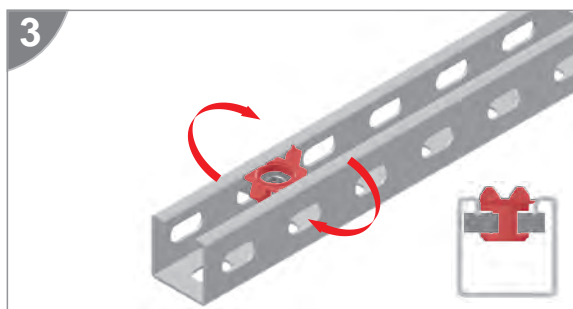
■ All dimensions are given as in mm

- PG= Pre-Galvanized
- HDG= Hot Dip Galvanized

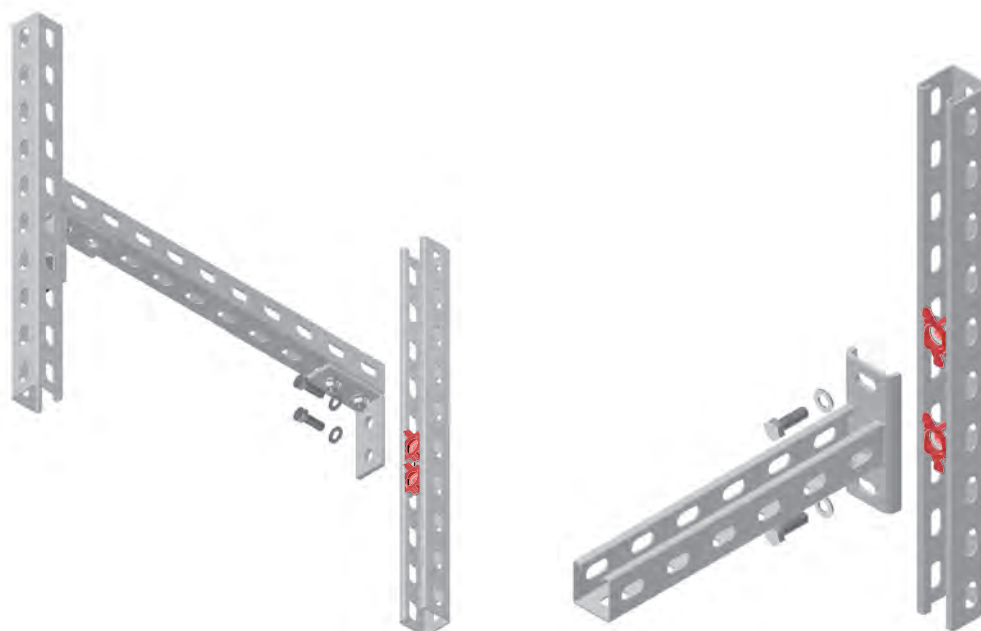
Description	Weight (kg/pcs)	Order Code
M6 Quick Binrak Nut	0,028	1021244
M8 Quick Binrak Nut	0,027	1021245
M10 Quick Binrak Nut	0,034	1021246
M12 Quick Binrak Nut	0,032	1021247



1-2. Place the Quick Nut into Binrak Channel.



3-4. By turning the Quick Nut in the direction of the arrow, select its position on the Binrak Channel.



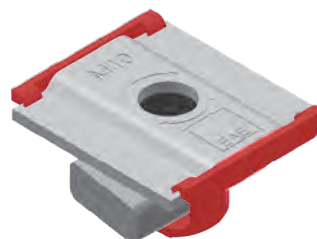
- Please indicate order code in your orders.
- Please contact us for special dimensions.
- Material weights may vary by  $\pm 10\%$

■ All dimensions are given as in mm

- PG= Pre-Galvanized
- HDG= Hot Dip Galvanized

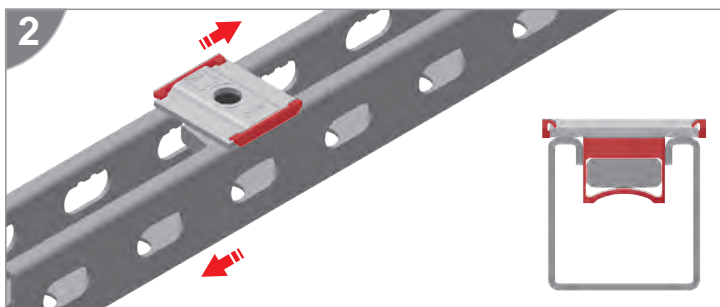
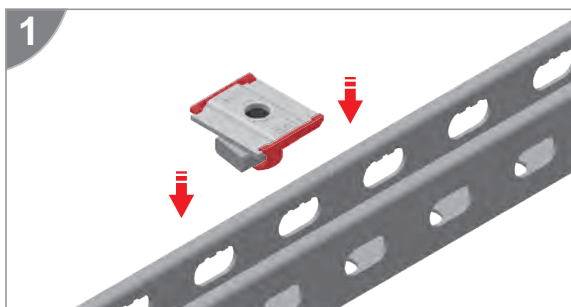


Description	Weight (kg/pcs)	Order Code
M8 Quick Traverse Nut	0,084	1004993
M10 Quick Traverse Nut	0,081	1004994
M12 Quick Traverse Nut	0,078	1004995

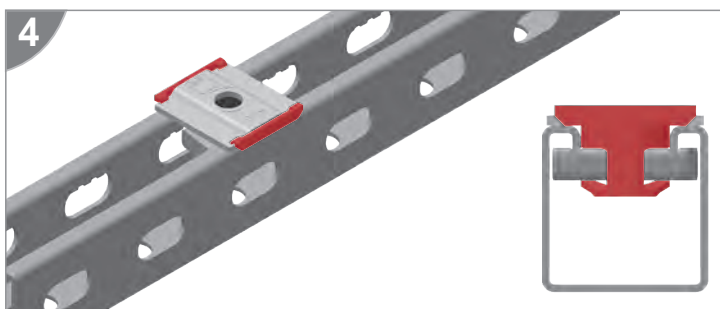
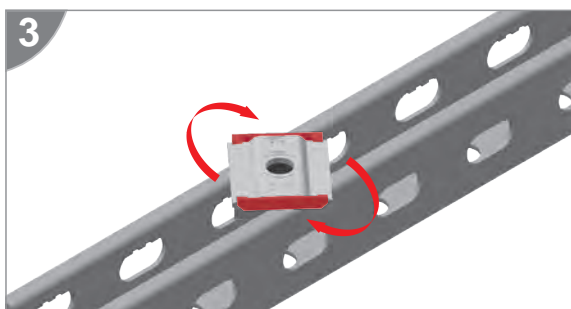


- Speed Traverse Nut can be mounted at any desired point on Binrak.
- Quick Traverse Nut is Zinc coated.

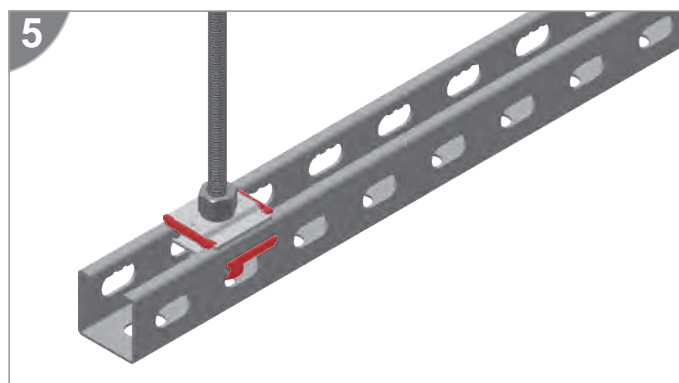
Please use the Quick Nut for fixing the supports and brackets. Please contact with the customer representative for application details, before use the Quick Nut with Binrak Fitting Accessories.



1-2. Place the Quick Nut into Binrak Channel.



3-4. By turning the Quick Nut in the direction of the arrow, select its position on the Binrak Channel.



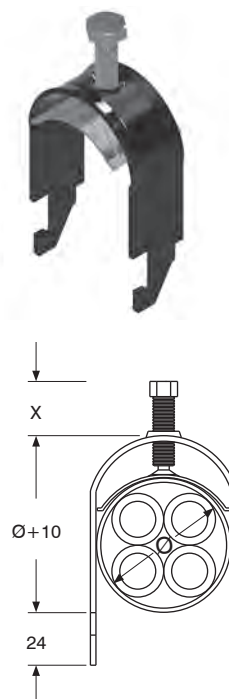
5. Tighten and fix the Quick Nut at the position selected.

- Please indicate order code in your orders.
- Please contact us for special dimensions.
- Material weights may vary by  $\pm 10\%$

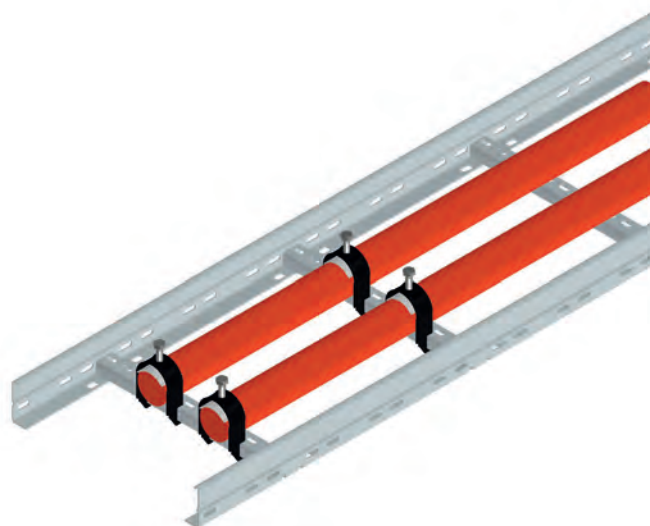
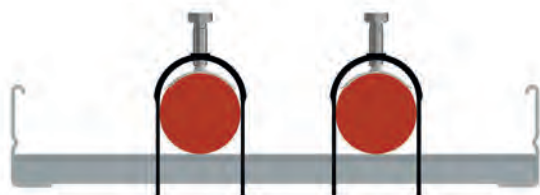
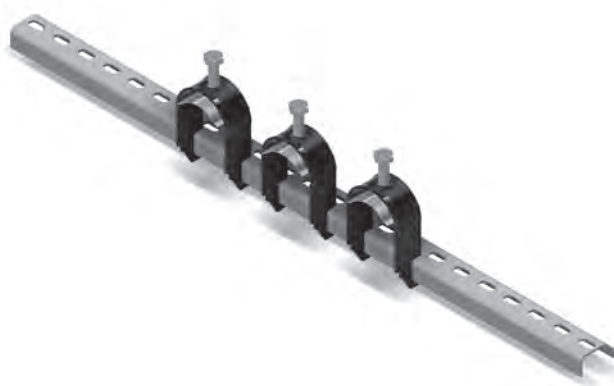
■ All dimensions are given as in mm

- PG= Pre-Galvanized
- HDG= Hot Dip Galvanized

Description	Ø (mm)	X (mm)	Weight (kg/pcs)	Order Code
1-12 CABLE CLAMP	12	20	0,055	1004215
1-16 CABLE CLAMP	16	20	0,059	1004309
1-20 CABLE CLAMP	20	20	0,065	1004214
1-24 CABLE CLAMP	24	20	0,072	1004213
1-28 CABLE CLAMP	28	20	0,076	1004307
1-32 CABLE CLAMP	32	20	0,083	1004212
1-36 CABLE CLAMP	36	20	0,088	1004211
1-40 CABLE CLAMP	40	30	0,091	1004305
1-44 CABLE CLAMP	44	30	0,098	1004210
1-48 CABLE CLAMP	48	30	0,103	1004209
1-52 CABLE CLAMP	52	30	0,108	1004303
1-56 CABLE CLAMP	56	30	0,113	1004208
1-60 CABLE CLAMP	60	30	0,121	1004207
1-64 CABLE CLAMP	64	30	0,127	1004206
1-70 CABLE CLAMP	70	30	0,136	1004205
1-76 CABLE CLAMP	76	30	0,145	1004204
1-82 CABLE CLAMP	82	30	0,153	1004203
1-88 CABLE CLAMP	88	30	0,163	1004202
1-94 CABLE CLAMP	94	30	0,173	1004201
1-100 CABLE CLAMP	100	30	0,179	1004200



■ Suitable for KME Type stairs.



■ Please indicate order code in your orders.

■ Please contact us for special dimensions.

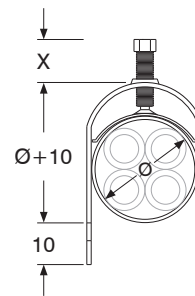
■ Material weights may vary by  $\pm 10\%$

■ All dimensions are given as in mm

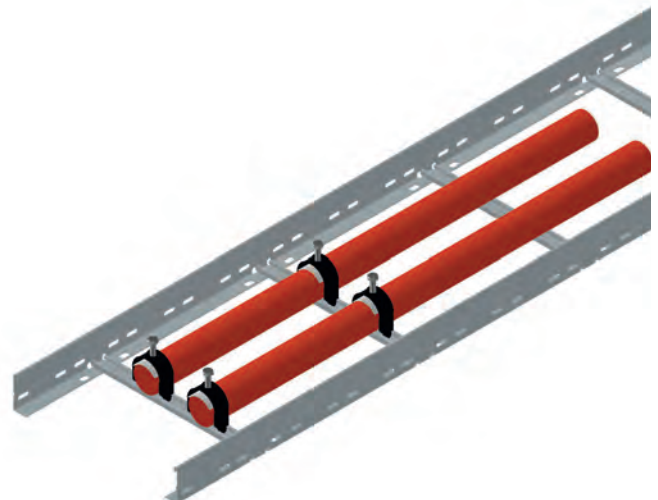
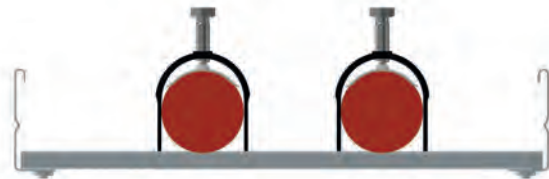
■ PG= Pre-Galvanized

■ HDG= Hot Dip Galvanized

Description	Ø (mm)	X (mm)	Weight (kg/pcs)	Order Code
1-12 CABLE CLAMP KM	12	20	0,046	1008041
1-16 CABLE CLAMP KM	16	20	0,049	1008042
1-20 CABLE CLAMP KM	20	20	0,055	1008043
1-24 CABLE CLAMP KM	24	20	0,061	1008044
1-28 CABLE CLAMP KM	28	20	0,065	1008045
1-32 CABLE CLAMP KM	32	20	0,072	1008046
1-36 CABLE CLAMP KM	36	20	0,077	1008047
1-40 CABLE CLAMP KM	40	30	0,081	1008048
1-44 CABLE CLAMP KM	44	30	0,086	1008049
1-48 CABLE CLAMP KM	48	30	0,091	1008050
1-52 CABLE CLAMP KM	52	30	0,096	1008051
1-56 CABLE CLAMP KM	56	30	0,104	1008052
1-60 CABLE CLAMP KM	60	30	0,108	1008053
1-64 CABLE CLAMP KM	64	30	0,114	1008054
1-70 CABLE CLAMP KM	70	30	0,123	1008055
1-76 CABLE CLAMP KM	76	30	0,131	1008056
1-82 CABLE CLAMP KM	82	30	0,139	1008057
1-88 CABLE CLAMP KM	88	30	0,148	1008058
1-94 CABLE CLAMP KM	94	30	0,155	1008059
1-100 CABLE CLAMP KM	100	30	0,164	1008060



■ Suitable for KM Type stairs.

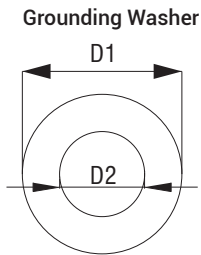


- Please indicate order code in your orders.
- Please contact us for special dimensions.
- Material weights may vary by ± 10%

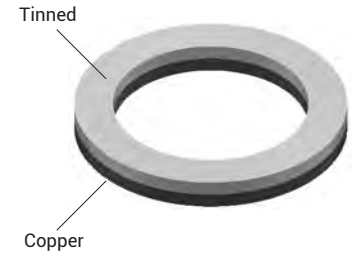
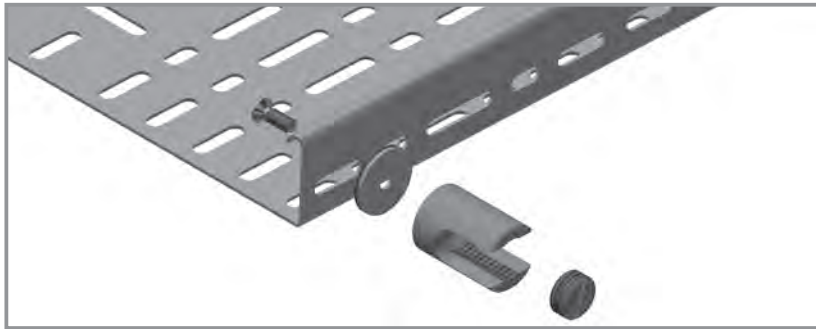
■ All dimensions are given as in mm

- PG= Pre-Galvanized
- HDG= Hot Dip Galvanized

Description	D1 (mm)	D2 (mm)	Order Code
Grounding Washer M6	12	6,4	1015408
Grounding Washer M8	16	8,4	1015409
Grounding Washer M10	20	10,5	1015410
Grounding Washer M12	24	13	1015411



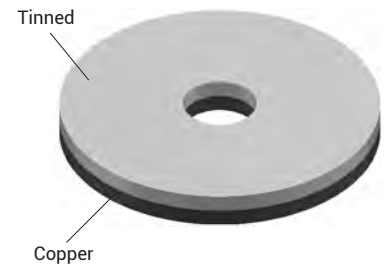
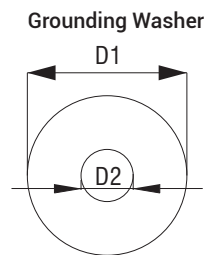
■ "Copper and brass should be used in case of contact between materials and galvanized surfaces."  
 "Tin-coated faces of bimetal materials should be in contact with galvanized surfaces.  
 Wrong connection will cause galvanic corrosion."



■ M6x12 Star headed bolt using with nut.

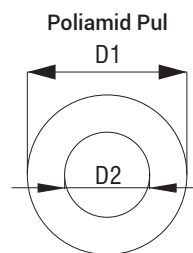
### ► Grounding Washer

Description	D1 (mm)	D2 (mm)	Order Code
Grounding Washer 10-35 (mm) <sup>2</sup>	18	6,4	1015431
Grounding Washer 35-70 (mm) <sup>2</sup>	21	6,4	1015432
Grounding Washer 70-150 (mm) <sup>2</sup>	28	6,4	1015433
Grounding Washer 150-185 (mm) <sup>2</sup>	31	6,4	1015434



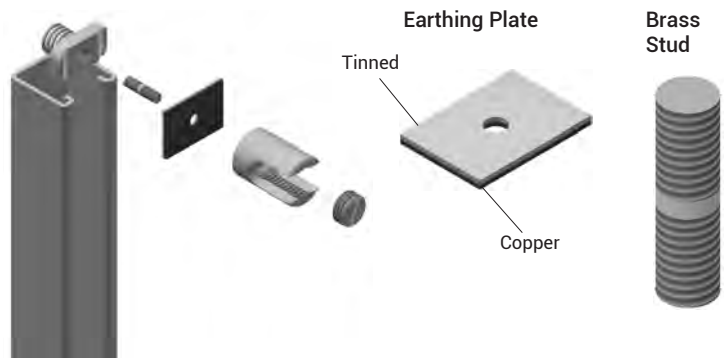
### ► Polyamid Washer

Description	D1 (mm)	D2 (mm)	Order Code
Poliamid Pul M6	12	6,4	1015412
Poliamid Pul M8	16	8,4	1015413
Poliamid Pul M10	20	10,5	1015414
Poliamid Pul M12	24	13	1015415



### ► Earthing Plate

Description	A (mm)	B (mm)	Order Code
Earthing Plate	30	42	1015435



### ► Brass Stud

Description	Order Code
Brass Stud M6x22	1015430

- Please indicate order code in your orders.
- Please contact us for special dimensions.
- Material weights may vary by ± 10%

■ All dimensions are given as in mm

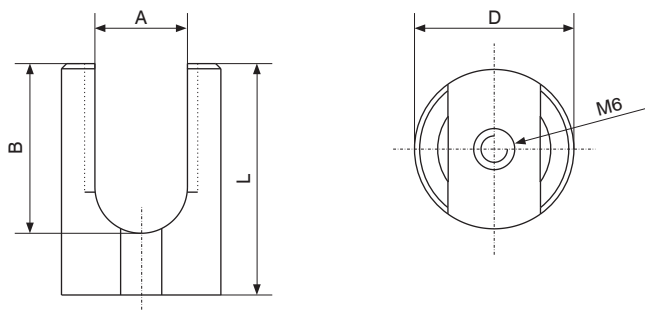
- PG= Pre-Galvanized
- HDG= Hot Dip Galvanized

Description	(mm) <sup>2</sup>	A (mm)	B (mm)	D (mm)	L (mm)	Order Code
Brass Joint and Earthing Connector 1	10-35	8	14	18	22	1004225
Brass Joint and Earthing Connector 2	35-70	10	17	21	25	1004226
Brass Joint and Earthing Connector 3	70-150	16	29	28	39	1004227
Brass Joint and Earthing Connector 4	150-185	18	33	31	45	1004228

Brass Joint and Earthing Connector (Cylindrical)



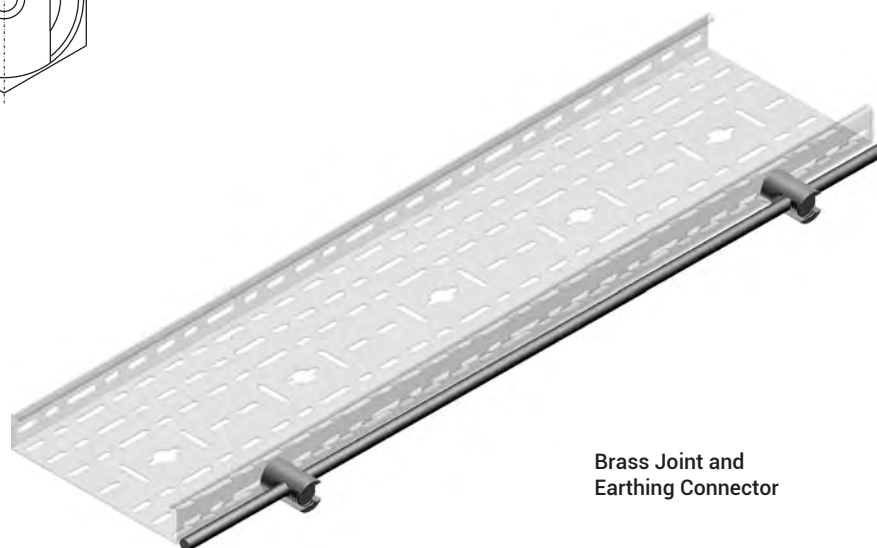
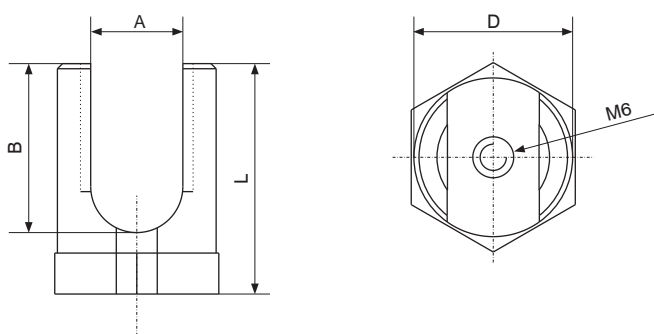
■ M6 bolt set must be purchased for the cable tray installation.



### ► Earthing Components

Description	(mm) <sup>2</sup>	A (mm)	B (mm)	D (mm)	L (mm)	Order Code
Brass Joint and Earthing Connector 5	10-35	8	14	18	22	1004229
Brass Joint and Earthing Connector 6	35-70	10	17	21	25	1004230
Brass Joint and Earthing Connector 7	70-150	16	29	28	39	1004231
Brass Joint and Earthing Connector 8	150-185	18	33	31	45	1004232

Brass Joint and Earthing Connector (Hexagonal)



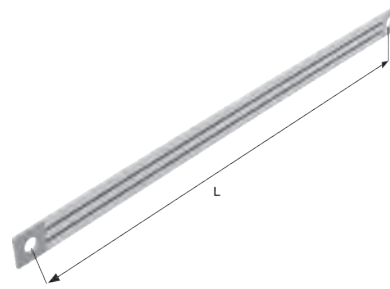
Brass Joint and Earthing Connector

- Please indicate order code in your orders.
- Please contact us for special dimensions.
- Material weights may vary by ± 10%

■ All dimensions are given as in mm

- PG= Pre-Galvanized
- HDG= Hot Dip Galvanized

Description	Conductor Cross Section	Length (L)	Order Code
Grounding Conductor-10-370	10 mm <sup>2</sup>	370 mm	1022651
Grounding Conductor-16-370	16 mm <sup>2</sup>	370 mm	1022652
Grounding Conductor-25-370	25 mm <sup>2</sup>	370 mm	1022653
Grounding Conductor-35-370	35 mm <sup>2</sup>	370 mm	1022654



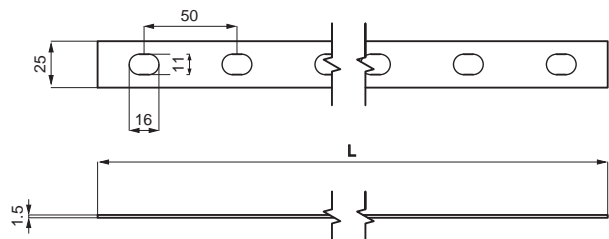
Description	Conductor Cross Section	Length (L)	Order Code
Grounding Conductor-6-370	6 mm <sup>2</sup>	370 mm	1054068
Grounding Conductor-8-370	8 mm <sup>2</sup>	370 mm	1054069



For assembly, 2 sets of M6x12 bolts must be ordered separately.

### ► Pear Clamp

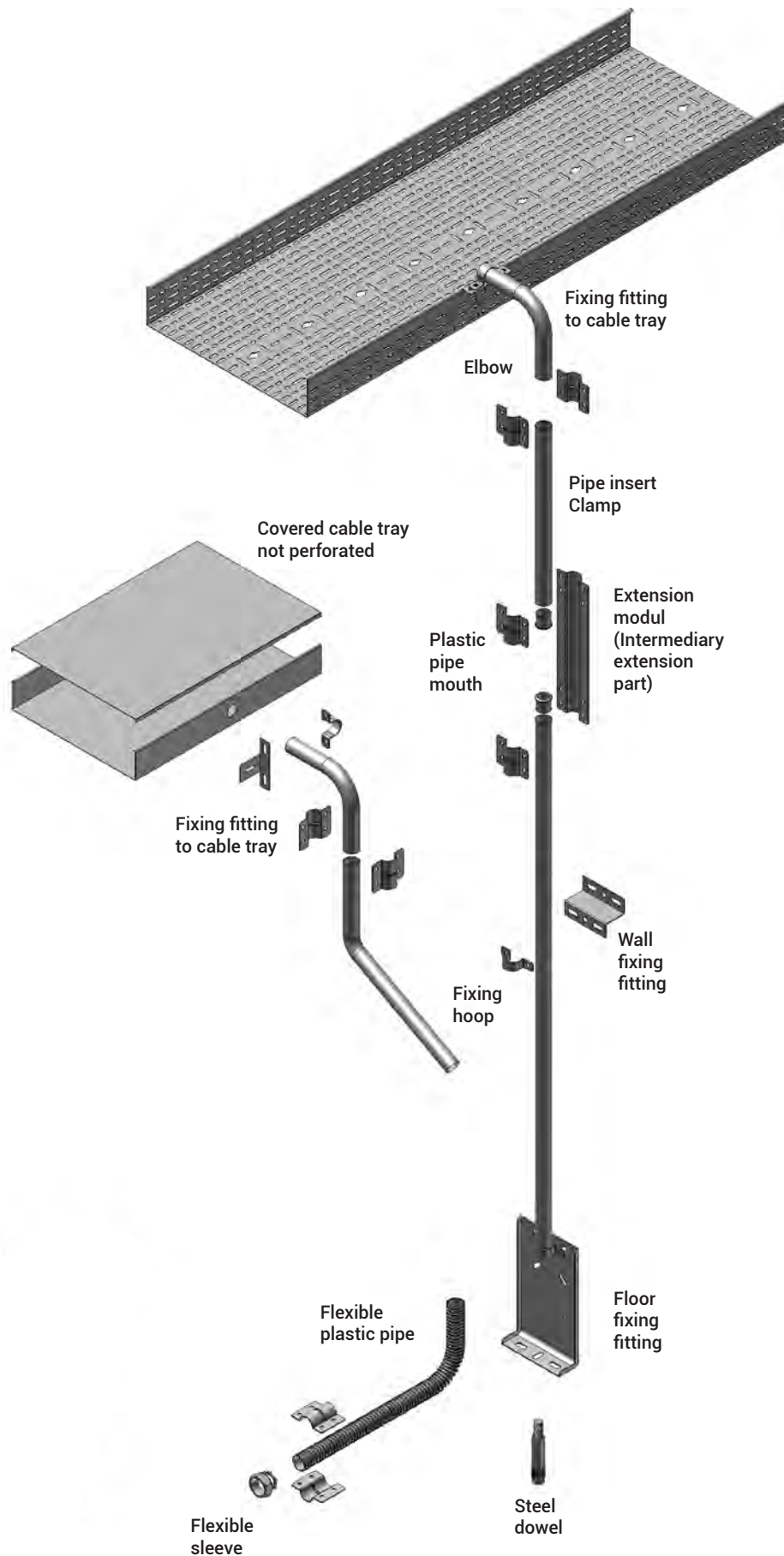
Description	Length (L)	Weight (kg/pcs)	Order Code
PEAR CLAMP (Hot Dip Galvanized)	3000	0,86	3188125
PEAR CLAMP (Pre-galvanized)	3000	0,777	3188126



- Please indicate order code in your orders.
- Please contact us for special dimensions.
- Material weights may vary by ± 10%

■ All dimensions are given as in mm

- PG= Pre-Galvanized
- HDG= Hot Dip Galvanized



- Please indicate order code in your orders.
- Please contact us for special dimensions.
- Material weights may vary by  $\pm 10\%$

■ All dimensions are given as in mm

- PG= Pre-Galvanized
- HDG= Hot Dip Galvanized

Description	Weight (kg/pcs)	Order Code	Pack (pcs)
(Ø 25) Elbow 90°	0,130	1004298	-
(Ø 42) Elbow 90°	0,260	1004297	-

Elbow 90°



Description	Weight (kg/pcs)	Order Code	Pack (pcs)
(Ø 25) Angled Elbow 45°	0,145	1004296	-
(Ø 42) Angled Elbow 45°	0,530	1004295	-

Angled Elbow 45°



Description	Weight (kg/pcs)	Order Code	Pack (pcs)
(Ø 25) Pipe Fixing Crochet	0,017	3008322	50
(Ø 42) Pipe Fixing Crochet	0,026	3008321	-

Pipe Fixing Crochet



Description	Weight (kg/pcs)	Order Code	Pack (pcs)
(Ø 25) Pipe Joint Clamp	0,100	3008320	20
(Ø 42) Pipe Joint Clamp	0,150	3008319	20

Pipe Joint Clamp



Description	Weight (kg/pcs)	Order Code	Pack (pcs)
(Ø 25) Plastic Pipe Mouth	0,130	1004294	-
(Ø 42) Plastic Pipe Mouth	0,260	1004293	-

Plastic Pipe Mouth



Description	Weight (kg/pcs)	Order Code	Pack (pcs)
(Ø 25) Inter Outlet Component	0,204	3008318	-
(Ø 42) Inter Outlet Component	0,401	3008317	10

Inter Outlet Component



- Please indicate order code in your orders.
- Please contact us for special dimensions.
- Material weights may vary by ± 10%

■ All dimensions are given as in mm

- PG= Pre-Galvanized
- HDG= Hot Dip Galvanized



Description	Weight (kg/pcs)	Order Code	Pack (pcs)
Fitting Component to Floor	0,392	3008316	-
Fitting Component to Wall	0,091	3008323	-

Fitting Component to Wall



Fitting Component to Floor



Description	Weight (kg/pcs)	Order Code	Pack (pcs)
UK Fixing Component to Cable Tray	0,080	3008315	-

UK Fixing Component to Cable Tray



Description	Weight (kg/pcs)	Order Code	Pack (pcs)
(Ø 25) Flexible Sleeve	0,070	1004289	-
(Ø 42) Flexible Sleeve	0,155	1004288	-

Flexible Sleeve



Description	Weight (kg/m)	Order Code
(Ø 25) Pipe	0,593	1004300
(Ø 42) Pipe	1,103	1004299

Pipe



Description	Weight (kg/pcs)	Order Code
(Ø 25) Flexible Pipe	0,054	1004292
(Ø 42) Flexible Pipe	0,072	1004291

Flexible Pipe



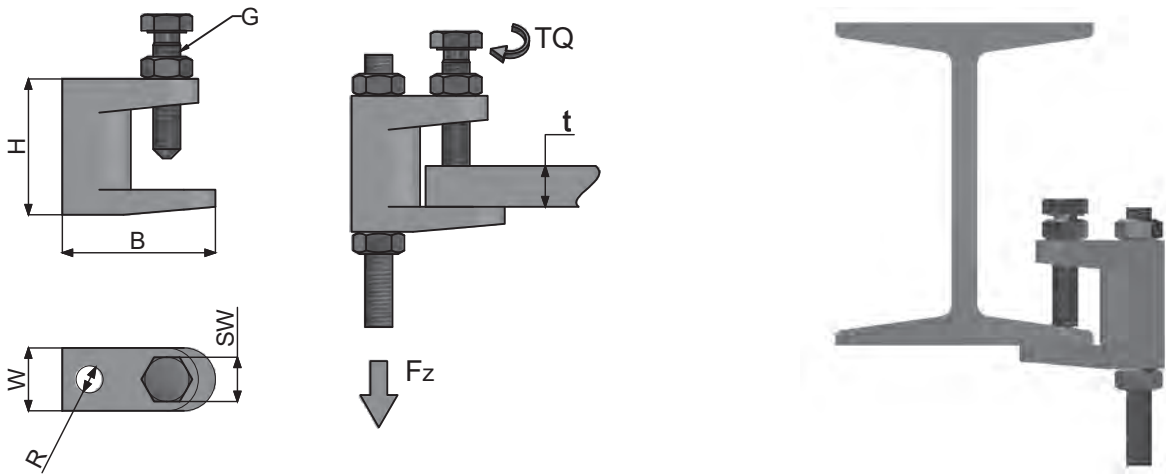
- Please indicate order code in your orders.
- Please contact us for special dimensions.
- Material weights may vary by ± 10%

■ All dimensions are given as in mm

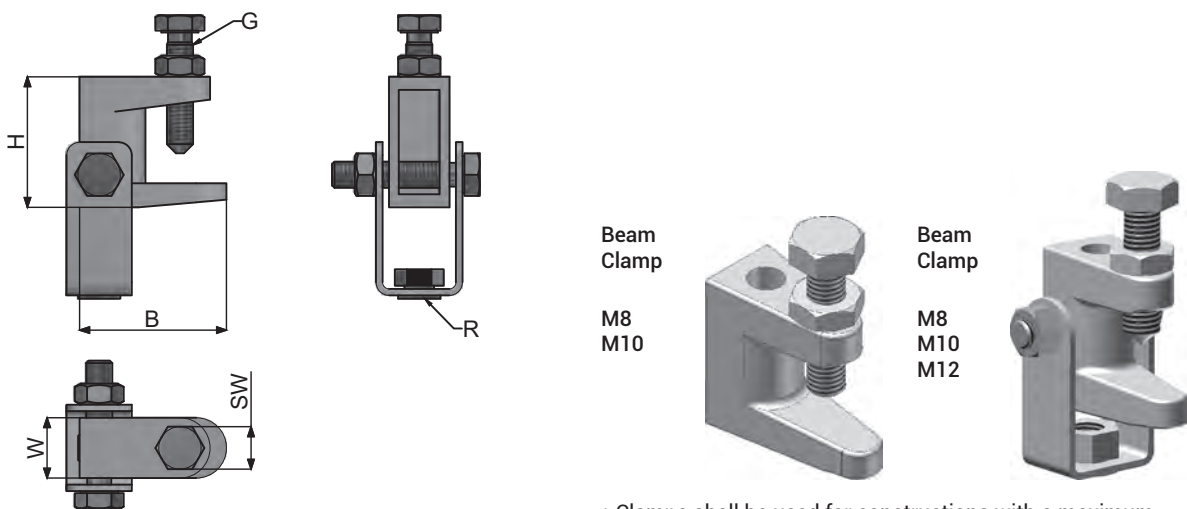
- PG= Pre-Galvanized
- HDG= Hot Dip Galvanized

Description	Technical Information						Dimensions			Weight (kg/pcs)	Order Code
	Tightening Bolt G	Support Rod R	Max. Wall Thickness	Max. Safe Load Fz	Tightening Wrench	Spring Load	B	H	W		
M8 Beam Clamp	M8	M8	12 mm	120	13 mm	7 Nm	45mm	40mm	18,5mm	0,170	5000004
M10 Beam Clamp	M10	M10	15 mm	240	17 mm	7 Nm	48 mm	45mm	21mm	0,180	5000005
M8 Beam Clamp	M8	M8	12 mm	120	13 mm	7 Nm	45mm	40mm	18,5mm	0,220	5000001
M10 Beam Clamp	M10	M10	15 mm	240	17 mm	7 Nm	48mm	45mm	21mm	0,230	5000002
M12 Beam Clamp	M10	M12	15 mm	240	17 mm	7 Nm	48mm	45mm	21mm	0,340	5000003

▶ CLAMP



▶ BEAM CLAMP



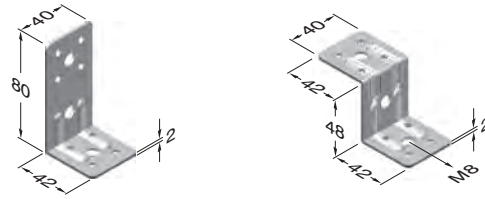
\* Clamps shall be used for constructions with a maximum wall thickness of 15 mm.  
\*Recommended torque value for clamps is 7 Nm.

- Please indicate order code in your orders.
- Please contact us for special dimensions.
- Material weights may vary by ± 10%

■ All dimensions are given as in mm

- PG= Pre-Galvanized
- HDG= Hot Dip Galvanized

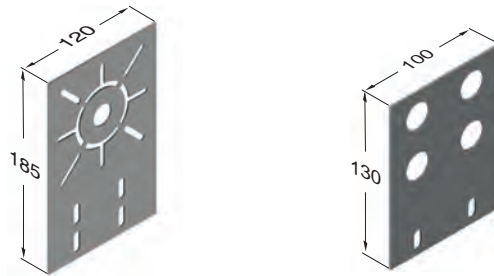
Description	Weight (kg/pcs)	PG Code
"T" Fixing Fitting	0,074	3008265
"T" Ceiling Connection Part	0,076	3008324



Description	Weight (kg/pcs)	Order Code
Cotter Pin	0,025	1004310



Description	Weight (kg/pcs)	PG Code
Socket Mounting Plate (Pre)	0,245	3006652
Socket Mounting Plate	0,135	3295914



Description	Weight (kg/pcs)	HDG Code
Socket Mounting Plate (HDG)	0,269	3006653
Socket Mounting Plate	0,148	3295021

Description	Weight (kg/pcs)	Order Code
Cable Tray Extension Bolt M6x12	0,009	1004314
Binrak Extension Bolt M8x15	0,010	1004285
Edge Protection Strip-One Side	0,070	1001414
Edge Protection Strip-Double Side	0,140	1001454



Description	Weight (kg/pcs)	Order Code
EAE Zinc Spray	0,380	1000172

EAE Zinc Spray  
400ml



Description	Weight (kg/pcs)	Order Code
Zinga Paint (1kg)	1,000	1015740
Zinga Paint (5kg)	5,000	1015741

Zinga Boya



Description	Weight (kg/pcs)	Order Code
BR 21x41 Protection Cover	0,005	1020340
BR 41x41 Protection Cover	0,008	1020339



■ EAE recommends to apply ZINGA paint to the cut areas of the products. Please see INFO section for the product's technical specifications and usage.

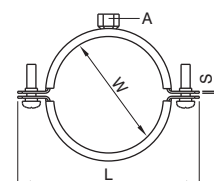
■ BRA 8 supplementary bolt kit; Contains 1 unit M6x12 round head bolt + 1 unit M6 flanged nut. Coated with standard lac.

- Please indicate order code in your orders.
- Please contact us for special dimensions.
- Material weights may vary by ± 10%

■ All dimensions are given as in mm

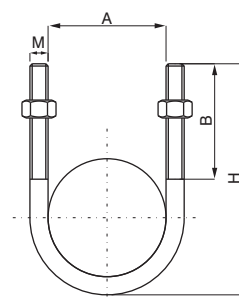
- PG= Pre-Galvanized
- HDG= Hot Dip Galvanized

Description	S x B	W	L	A	Weight (kg/pcs)	Order Code
Pipe Clamp 3/8"	1,5x20	16-20	58,5	M8	0,057	1003620
Pipe Clamp 1/2"	1,5x20	20-24	62,5	M8	0,061	1003621
Pipe Clamp 3/4"	1,5x20	25-28	68,5	M8	0,067	1003622
Pipe Clamp 1"	1,5x20	32-35	76	M8	0,075	1003623
Pipe Clamp 1 1/4"	1,5x20	39-46	91,5	M8	0,092	1003624
Pipe Clamp 1 1/2"	1,5x20	48-53	99	M8	0,101	1003625
Pipe Clamp 2"	1,5x20	59-66	112	M8	0,117	1003626
Pipe Clamp 2 1/2"	2x25	74-80	134	M10	0,210	1003627
Pipe Clamp 3"	2x25	87-94	146,5	M10	0,228	1003628
Pipe Clamp 4"	2,5x25	110-116	173	M10	0,310	1003629
Pipe Clamp 5"	2,5x25	135-143	199	M10	0,358	1003630
Pipe Clamp 6"	2,5x25	162-170	227	M10	0,398	1003631
Pipe Clamp 8"	2,5x25	207-219	280,7	M10	0,523	1003632



## ►►Fixing Accessories

Description	A	H	B	M	Weight (kg/pcs)	Order Code
U Bolt 1/2"	24	50	30	M6	0,049	1003652
U Bolt 3/4"	30	60	30	M6	0,052	1003653
U Bolt 1"	36	70	30	M8	0,054	1003654
U Bolt 1 1/4"	46	80	40	M8	0,063	1003655
U Bolt 1 1/2"	52	90	50	M8	0,068	1003656
U Bolt 2"	64	100	50	M10	0,136	1003657
U Bolt 2 1/2"	78	120	50	M10	0,155	1003658
U Bolt 3"	94	140	60	M12	0,266	1003659
U Bolt 4"	118	160	65	M12	0,332	1003661
U Bolt 5"	146	200	65	M12	0,400	1003662
U Bolt 6"	172	220	90	M16	0,756	1003660
U Bolt 8"	224	270	90	M16	1,500	1004128



- Please indicate order code in your orders.
- Please contact us for special dimensions.
- Material weights may vary by  $\pm 10\%$

■ All dimensions are given as in mm

- PG= Pre-Galvanized
- HDG= Hot Dip Galvanized

Description	EMT Measure	Outer Diameter	Joint Thickness (mm)	Weight (kg/pcs)	Order Code
Conduit 1/2" PG	1/2"	17,93	1,07	0,44	1034678
Conduit 3/4" PG	3/4"	23,42	1,25	0,68	1034679
Conduit 1" PG	1"	29,54	1,45	1,00	1034680
Conduit 1 1/4" PG	1 1/4"	38,35	1,65	1,49	1034681
Conduit 1 1/2" PG	1 1/2"	44,20	1,65	1,73	1034682
Conduit 2" PG	2"	55,80	1,65	2,20	1034683
Conduit 2 1/2" PG	2 1/2"	73,03	1,83	3,07	1034684
Conduit 3" PG	3"	88,90	1,83	3,87	1034685
Conduit 4" PG	4"	114,30	2,11	5,81	1034686



L= 3000mm

## ► Conduit Without Thread Hot-Dip-Galvanized

Description	Outer Diameter	Joint Thickness (mm)	Weight (kg/pcs)	Order Code
Conduit 1/2" HDG	17,93	1,07	0,44	1034687
Conduit 3/4" HDG	23,42	1,25	0,68	1034688
Conduit 1" HDG	29,54	1,45	1,00	1034689
Conduit 1 1/4" HDG	38,35	1,65	1,49	1034690
Conduit 1 1/2" HDG	44,20	1,65	1,73	1034691
Conduit 2" HDG	55,80	1,65	2,20	1034692
Conduit 2 1/2" HDG	73,03	1,83	3,07	1034693
Conduit 3" HDG	88,90	1,83	3,87	1034694
Conduit 4" HDG	114,30	2,11	5,81	1034695



L= 3000mm

- Please indicate order code in your orders.
- Please contact us for special dimensions.
- Material weights may vary by  $\pm 10\%$

■ All dimensions are given as in mm

- PG= Pre-Galvanized
- HDG= Hot Dip Galvanized

### ► End Socket, Bolted Type / ZAMAK

Description	EMT Measure	Package Amount (pcs)	Pack. Weight (kg)	Order Code
Conduit 1/2" End socket, bolted type / ZAMAK	1/2"	100	2,20	1034696
Conduit 3/4" End socket, bolted type / ZAMAK	3/4"	100	3,20	1034697
Conduit 1" End socket, bolted type / ZAMAK	1"	50	2,60	1034698
Conduit 1 1/4" End socket, bolted type / ZAMAK	1 1/4"	25	2,20	1034699
Conduit 1 1/2" End socket, bolted type / ZAMAK	1 1/2"	20	2,20	1034700
Conduit 2" End socket, bolted type / ZAMAK	2"	10	1,60	1034701
Conduit 2 1/2" End socket, bolted type / ZAMAK	2 1/2"	40	11,00	1034702
Conduit 3" End socket, bolted type / ZAMAK	3"	40	14,00	1034703
Conduit 4" End socket, bolted type / ZAMAK	4"	20	11,00	1034704



### ► End Socket, Tightening Type / ZAMAK

Description	EMT Measure	Package Amount (pcs)	Pack. Weight (kg)	Order Code
Conduit 1/2" End socket, tightening type / ZAMAK	1/2"	100	3,00	1034705
Conduit 3/4" End socket, tightening type / ZAMAK	3/4"	50	2,40	1034706
Conduit 1" End socket, tightening type / ZAMAK	1"	50	3,80	1034707
Conduit 1 1/4" End socket, tightening type / ZAMAK	1 1/4"	25	2,80	1034708
Conduit 1 1/2" End socket, tightening type / ZAMAK	1 1/2"	20	3,40	1034709
Conduit 2" End socket, tightening type / ZAMAK	2"	10	2,60	1034710
Conduit 2 1/2" End socket, tightening type / ZAMAK	2 1/2"	40	13,00	1034711
Conduit 3" End socket, tightening type / ZAMAK	3"	40	18,00	1034712
Conduit 4" End socket, tightening type / ZAMAK	4"	20	15,00	1034713



### ► End Socket, Bolted Type / Steel

Description	EMT Measure	Package Amount (pcs)	Pack. Weight (kg)	Order Code
Conduit 1/2" End socket, bolted type / Steel	1/2"	50	2,12	1034714
Conduit 3/4" End socket, bolted type / Steel	3/4"	25	1,49	1034715
Conduit 1" End socket, bolted type / Steel	1"	20	1,89	1034716
Conduit 1 1/4" End socket, bolted type / Steel	1 1/4"	25	4,10	1034717
Conduit 1 1/2" End socket, bolted type / Steel	1 1/2"	25	4,50	1034718
Conduit 2" End socket, bolted type / Steel	2"	20	4,70	1034719
Conduit 2 1/2" End socket, bolted type / Steel	2 1/2"	12	4,00	1034720
Conduit 3" End socket, bolted type / Steel	3"	12	4,80	1034721
Conduit 4" End socket, bolted type / Steel	4"	6	3,30	1034722



### ► End socket, Tightening Type / Steel

Description	EMT Measure	Package Amount (pcs)	Pack. Weight (kg)	Order Code
Conduit 1/2" End socket, tightening type / Steel	1/2"	25	1,43	1034723
Conduit 3/4" End socket, tightening type / Steel	3/4"	25	2,05	1034724
Conduit 1" End socket, tightening type / Steel	1"	10	1,32	1034725
Conduit 1 1/4" End socket, tightening type / Steel	1 1/4"	25	4,40	1034726
Conduit 1 1/2" End socket, tightening type / Steel	1 1/2"	20	5,00	1034727
Conduit 2" End socket, tightening type / Steel	2"	15	4,80	1034728
Conduit 2 1/2" End socket, tightening type / Steel	2 1/2"	8	6,00	1034729
Conduit 3" End socket, tightening type / Steel	3"	4	3,60	1034730
Conduit 4" End socket, tightening type / Steel	4"	4	5,00	1034731



■ Please indicate order code in your orders.

■ Please contact us for special dimensions.

■ Material weights may vary by ± 10%

■ All dimensions are given as in mm

■ PG= Pre-Galvanized

■ HDG= Hot Dip Galvanized

### ▶ Coupling Socket, Bolted Type / ZAMAK

Description	EMT Measure	Package Amount (pcs)	Pack. Weight (kg)	Order Code
Conduit 1/2" Coupling socket, bolted type / ZAMAK	1/2"	100	2,20	1034732
Conduit 3/4" Coupling socket, bolted type / ZAMAK	3/4"	100	3,20	1034733
Conduit 1" Coupling socket, bolted type / ZAMAK	1"	50	2,60	1034734
Conduit 1 1/4" Coupling socket, bolted type / ZAMAK	1 1/4"	25	2,20	1034735
Conduit 1 1/2" Coupling socket, bolted type / ZAMAK	1 1/2"	20	2,20	1034736
Conduit 2" Coupling socket, bolted type / ZAMAK	2"	10	1,60	1034737
Conduit 2 1/2" Coupling socket, bolted type / ZAMAK	2 1/2"	40	11,00	1034738
Conduit 3" Coupling socket, bolted type / ZAMAK	3"	40	14,00	1034739
Conduit 4" Coupling socket, bolted type / ZAMAK	4"	20	11,00	1034740



### ▶ Coupling Socket, Tightening Type / ZAMAK

Description	EMT Measure	Package Amount (pcs)	Pack. Weight (kg)	Order Code
Conduit 1/2" Coupling socket, tightening type / ZAMAK	1/2"	100	3,80	1034741
Conduit 3/4" Coupling socket, tightening type / ZAMAK	3/4"	50	2,80	1034742
Conduit 1" Coupling socket, tightening type / ZAMAK	1"	50	4,20	1034743
Conduit 1 1/4" Coupling socket, tightening type / ZAMAK	1 1/4"	25	3,40	1034744
Conduit 1 1/2" Coupling socket, tightening type / ZAMAK	1 1/2"	20	3,60	1034745
Conduit 2" Coupling socket, tightening type / ZAMAK	2"	10	2,40	1034746
Conduit 2 1/2" Coupling socket, tightening type / ZAMAK	2 1/2"	40	14,70	1034747
Conduit 3" Coupling socket, tightening type / ZAMAK	3"	40	18,80	1034748
Conduit 4" Coupling socket, tightening type / ZAMAK	4"	20	16,60	1034749



### ▶ Coupling Socket, Bolted Type / Steel

Description	EMT Measure	Package Amount (pcs)	Pack. Weight (kg)	Order Code
Conduit 1/2" Coupling socket, bolted type / Steel	1/2"	50	1,87	1034750
Conduit 3/4" Coupling socket, bolted type / Steel	3/4"	25	1,34	1034751
Conduit 1" Coupling socket, bolted type / Steel	1"	20	1,66	1034752
Conduit 1 1/4" Coupling socket, bolted type / Steel	1 1/4"	25	4,20	1034753
Conduit 1 1/2" Coupling socket, bolted type / Steel	1 1/2"	25	4,70	1034754
Conduit 2" Coupling socket, bolted type / Steel	2"	20	5,20	1034755
Conduit 2 1/2" Coupling socket, bolted type / Steel	2 1/2"	12	7,00	1034756
Conduit 3" Coupling socket, bolted type / Steel	3"	12	9,00	1034757
Conduit 4" Coupling socket, bolted type / Steel	4"	6	6,40	1034758



### ▶ Coupling Socket, Tightening Type / Steel

Description	EMT Measure	Package Amount (pcs)	Pack. Weight (kg)	Order Code
Conduit 1/2" Coupling socket, tightening type / Steel	1/2"	25	1,70	1034759
Conduit 3/4" Coupling socket, tightening type / Steel	3/4"	25	2,30	1034760
Conduit 1" Coupling socket, tightening type / Steel	1"	10	1,43	1034761
Conduit 1 1/4" Coupling socket, tightening type / Steel	1 1/4"	25	4,70	1034762
Conduit 1 1/2" Coupling socket, tightening type / Steel	1 1/2"	20	5,80	1034763
Conduit 2" Coupling socket, tightening type / Steel	2"	15	4,70	1034764
Conduit 2 1/2" Coupling socket, tightening type / Steel	2 1/2"	8	7,00	1034765
Conduit 3" Coupling socket, tightening type / Steel	3"	4	4,20	1034766
Conduit 4" Coupling socket, tightening type / Steel	4"	4	6,10	1034767



- Please indicate order code in your orders.
- Please contact us for special dimensions.
- Material weights may vary by ± 10%

■ All dimensions are given as in mm

- PG= Pre-Galvanized
- HDG= Hot Dip Galvanized

### ▶ Fastening Clip, Two Holes / Steel

Description	EMT Measure	Outer Diameter (mm)	Package Amount (pcs)	Package Weight (kg)	Order Code
Conduit 1/2" Fastening clip, two holes / STEEL	1/2"	17,93	100	2,20	1034768
Conduit 3/4" Fastening clip, two holes / STEEL	3/4"	23,42	100	3,20	1034769
Conduit 1" Fastening clip, two holes / STEEL	1"	29,54	50	2,60	1034770
Conduit 1 1/4" Fastening clip, two holes / STEEL	1 1/4"	38,35	25	2,20	1034771
Conduit 1 1/2" Fastening clip, two holes / STEEL	1 1/2"	44,20	20	2,20	1034772
Conduit 2" Fastening clip, two holes / STEEL	2"	55,80	10	1,60	1034773
Conduit 2 1/2" Fastening clip, two holes / STEEL	2 1/2"	73,03	40	11,00	1034774
Conduit 3" Fastening clip, two holes / STEEL	3"	88,90	40	14,00	1034775
Conduit 4" Fastening clip, two holes / STEEL	4"	114,30	20	11,00	1034776



### ▶ Fastening Clip, Single Hole

Description	EMT Measure	Outer Diameter (mm)	Package Amount (pcs)	Package Weight (kg)	Order Code
Conduit 1/2" Fastening clip, single hole / STEEL	1/2"	17,93	100	3,80	1034777
Conduit 3/4" Fastening clip, single hole / STEEL	3/4"	23,42	100	2,80	1034778
Conduit 1" Fastening clip, single hole / STEEL	1"	29,54	50	4,20	1034779
Conduit 1 1/4" Fastening clip, single hole / STEEL	1 1/4"	38,35	25	3,40	1034780
Conduit 1 1/2" Fastening clip, single hole / STEEL	1 1/2"	44,20	20	3,60	1034781
Conduit 2" Fastening clip, single hole / STEEL	2"	55,80	10	2,40	1034782
Conduit 2 1/2" Fastening clip, single hole / STEEL	2 1/2"	73,03	40	14,70	1034783
Conduit 3" Fastening clip, single hole / STEEL	3"	88,90	40	18,80	1034784
Conduit 4" Fastening clip, single hole / STEEL	4"	114,30	20	16,60	1034785



### ▶ Hanger Clip

Description	EMT Measure	Package Amount (pcs)	Package Weight (kg)	Order Code
Conduit 1/2" Hanger clip/ STEEL	1/2"	50	1,87	1034786
Conduit 3/4" Hanger clip/ STEEL	3/4"	25	1,34	1034787
Conduit 1" Hanger clip/ STEEL	1"	20	1,66	1034788
Conduit 1 1/4" Hanger clip/ STEEL	1 1/4"	25	4,20	1034789
Conduit 1 1/2" Hanger clip/ STEEL	1 1/2"	25	4,70	1034790
Conduit 2" Hanger clip/ STEEL	2"	20	5,20	1034791
Conduit 2 1/2" Hanger clip/ STEEL	2 1/2"	12	7,00	1034792
Conduit 3" Hanger clip/ STEEL	3"	12	9,00	1034793
Conduit 4" Hanger clip/ STEEL	4"	6	6,40	1034794



### ▶ Fastening Clip, Two Holes

Description	EMT Measure	Package Amount (pcs)	Package Weight (kg)	Order Code
Conduit 1/2" Strut hanger clip / STEEL	1/2"	25	1,70	1034795
Conduit 3/4" Strut hanger clip / STEEL	3/4"	25	2,30	1034796
Conduit 1" Strut hanger clip / STEEL	1"	10	1,43	1034797
Conduit 1 1/4" Strut hanger clip / STEEL	1 1/4"	25	4,70	1034798
Conduit 1 1/2" Strut hanger clip / STEEL	1 1/2"	20	5,80	1034799
Conduit 2" Strut hanger clip / STEEL	2"	15	4,70	1034800
Conduit 2 1/2" Strut hanger clip / STEEL	2 1/2"	8	7,00	1034801
Conduit 3" Strut hanger clip / STEEL	3"	4	4,20	1034802
Conduit 4" Strut hanger clip / STEEL	4"	4	6,10	1034803



- Please indicate order code in your orders.
- Please contact us for special dimensions.
- Material weights may vary by ± 10%

■ All dimensions are given as in mm

- PG= Pre-Galvanized
- HDG= Hot Dip Galvanized



### ▶ Conduit To Flexible Connector / Bolted, Tightening / ZAMAK

Description	EMT Measure	Suitable Spiral Measure	Package Amount (pcs)	Order Code
Conduit 1/2" Conduit To Flexible Connector / Bolted, Tightening /ZAMAK	1/2"	MN... -16	50	1034804
Conduit 3/4" Conduit To Flexible Connector / Bolted, Tightening /ZAMAK	3/4"	MN... -21	50	1034805
Conduit 1" Conduit To Flexible Connector / Bolted, Tightening/ZAMAK	1"	MN... -26	25	1034806
Conduit 1 1/4" Conduit To Flexible Connector / Bolted, Tightening/ZAMAK	1 1/4"	MN... -35	20	1034807
Conduit 1 1/2" Conduit To Flexible Connector / Bolted, Tightening/ZAMAK	1 1/2"	MN... -40	10	1034808
Conduit 2" Conduit To Flexible Connector / Bolted, Tightening/ZAMAK	2"	MN... -52	10	1034809
Conduit 2 1/2" Conduit To Flexible Connector / Bolted, Tightening/ZAMAK	2 1/2"	MN... -63	25	1034810
Conduit 3" Conduit To Flexible Connector / Bolted, Tightening/ZAMAK	3"	MN... -78	20	1034811
Conduit 4" Conduit To Flexible Connector / Bolted, Tightening/ZAMAK	4"	MN... -102	10	1034812



### ▶ Conduit To Flexible Connector/ Tightening / ZAMAK

Description	EMT Measure	Suitable Spiral Measure	Package Amount (pcs)	Order Code
Conduit 1/2" Conduit to Flexible Connector/ tightening/ZAMAK	1/2"	MN... -16	100	1034813
Conduit 3/4" Conduit to Flexible Connector/ tightening/ZAMAK	3/4"	MN... -21	50	1034814
Conduit 1" Conduit to Flexible Connector/ tightening/ZAMAK	1"	MN... -26	25	1034815
Conduit 1 1/4" Conduit to Flexible Connector/ tightening/ZAMAK	1 1/4"	MN... -35	20	1034816
Conduit 1 1/2" Conduit to Flexible Connector/ tightening/ZAMAK	1 1/2"	MN... -40	10	1034817
Conduit 2" Conduit to Flexible Connector/ tightening/ZAMAK	2"	MN... -52	10	1034818
Conduit 2 1/2" Conduit to Flexible Connector/ tightening/ZAMAK	2 1/2"	MN... -63	25	1034819
Conduit 3" Conduit to Flexible Connector/ tightening/ZAMAK	3"	MN... -78	20	1034820
Conduit 4" Conduit to Flexible Connector/ tightening/ZAMAK	4"	MN... -102	10	1034821



### ▶ Conduit To Flexible Connector/ Bolted Type / ZAMAK

Description	EMT Measure	Suitable Spiral Measure	Package Amount (pcs)	Order Code
Conduit 1/2" Conduit to Flexible Connector/ bolted type/ZAMAK	1/2"	MN... -16	50	1034822
Conduit 3/4" Conduit to Flexible Connector/ bolted type/ZAMAK	3/4"	MN... -21	40	1034823
Conduit 1" Conduit to Flexible Connector/ bolted type/ZAMAK	1"	MN... -26	20	1034824



### ▶ Connector/ Bolted Type / Steel

Description	EMT Measure	Suitable Spiral Measure	Package Amount (pcs)	Order Code
Conduit 1/2" Conduit to Flexible Connector/ bolted type/STEEL	1/2"	MN... -16	50	1034825
Conduit 3/4" Conduit to Flexible Connector/ bolted type/STEEL	3/4"	MN... -21	50	1034826
Conduit 1" Conduit to Flexible Connector/ bolted type/STEEL	1"	MN... -26	25	1034827
Conduit 1 1/4" Conduit to Flexible Connector/ bolted type/STEEL	1 1/4"	MN... -35	20	1034828
Conduit 1 1/2" Conduit to Flexible Connector/ bolted type/STEEL	1 1/2"	MN... -40	10	1034829
Conduit 2" Conduit to Flexible Connector/ bolted type/STEEL	2"	MN... -52	10	1034830
Conduit 2 1/2" Conduit to Flexible Connector/ bolted type/STEEL	2 1/2"	MN... -63	25	1034831
Conduit 3" Conduit to Flexible Connector/ bolted type/STEEL	3"	MN... -78	20	1034832
Conduit 4" Conduit to Flexible Connector/ bolted type/STEEL	4"	MN... -102	10	1034833



- Please indicate order code in your orders.
- Please contact us for special dimensions.
- Material weights may vary by ± 10%

■ All dimensions are given as in mm

- PG= Pre-Galvanized
- HDG= Hot Dip Galvanized

### ▶45° - Steel Bend

Description	EMT Measure	Package Amount (pcs)	Package Amount (kg)	Order Code
Conduit 1/2" Steel bend 45°	1/2"	100	10,60	1034834
Conduit 3/4" Steel bend 45°	3/4"	100	17,50	1034835
Conduit 1" Steel bend 45°	1"	50	17,50	1034836
Conduit 1 1/4" Steel bend 45°	1 1/4"	40	28,00	1034837
Conduit 1 1/2" Steel bend 45°	1 1/2"	40	32,50	1034838
Conduit 2" Steel bend 45°	2"	15	13,50	1034839
Conduit 2 1/2" Steel bend 45°	2 1/2"	10	20,00	1034840
Conduit 3" Steel bend 45°	3"	9	24,50	1034841
Conduit 4" Steel bend 45°	4"	9	43,00	1034842



### ▶90° - Steel Bend

Description	EMT Measure	Package Amount (pcs)	Package Amount (kg)	Order Code
Conduit 1/2" Steel bend 90°	1/2"	200	20,0	1034843
Conduit 3/4" Steel bend 90°	3/4"	100	12,0	1034844
Conduit 1" Steel bend 90°	1"	50	16,0	1034845
Conduit 1 1/4" Steel bend 90°	1 1/4"	25	14,0	1034846
Conduit 1 1/2" Steel bend 90°	1 1/2"	20	16,0	1034847
Conduit 2" Steel bend 90°	2"	15	18,0	1034848
Conduit 2 1/2" Steel bend 90°	2 1/2"	10	20,0	1034849
Conduit 3" Steel bend 90°	3"	9	24,5	1034850
Conduit 4" Steel bend 90°	4"	9	43,0	1034851



### ▶90° - Control Bend, Bolted Type

Description	EMT Measure	Package Amount (pcs)	Package Amount (kg)	Order Code
Conduit 1/2" Control bend 90° , bolted type	1/2"	50	3,2	1034852
Conduit 3/4" Control bend 90° , bolted type	3/4"	40	4,2	1034853
Conduit 1" Control bend 90° , bolted type	1"	20	4,0	1034854



### ▶90° - Control Bend Side Cap

Description	EMT Measure	Package Amount (pcs)	Package Amount (kg)	Order Code
Conduit 1/2" Control bend side cap 90°	1/2"	50	3,6	1034855
Conduit 3/4" Control bend side cap 90°	3/4"	25	2,2	1034856
Conduit 1" Control bend side cap 90°	1"	20	3,2	1034857



- Please indicate order code in your orders.
- Please contact us for special dimensions.
- Material weights may vary by ± 10%

■ All dimensions are given as in mm

- PG= Pre-Galvanized
- HDG= Hot Dip Galvanized

### ► 90 ° - Side Cover - Recorder - Screwed Elbow

Description	EMT Measure	Package Amount (pcs)	Pack. Weight (kg)	Order Code
Conduit 1/2" Control bend side cap bolted type 90°	1/2"	50	3,2	1034861
Conduit 3/4" Control bend side cap bolted type 90°	3/4"	40	4,2	1034862
Conduit 1" Control bend side cap bolted type 90°	1"	20	4,0	1034863



### ► Elbow Bolted Type

Description	EMT Measure	Package Amount (pcs)	Package Amount (kg)	Order Code
Conduit 1/2" Elbow bolted type	1/2"	100	3,4	1034858
Conduit 3/4" Elbow bolted type	3/4"	50	2,2	1034859
Conduit 1" Elbow bolted type	1"	50	3,0	1034860




- Please indicate order code in your orders.
- Please contact us for special dimensions.
- Material weights may vary by ± 10%

■ All dimensions are given as in mm

- PG= Pre-Galvanized
- HDG= Hot Dip Galvanized

▶▶ **PROJECT DESIGN FORM**

	Component List						
Item	Component	Quantity					Company:
							Project:
							Project No:
							Name :
							Date :
							Signature :
							Prepared by
							

Please duplicate this page for your own use.

