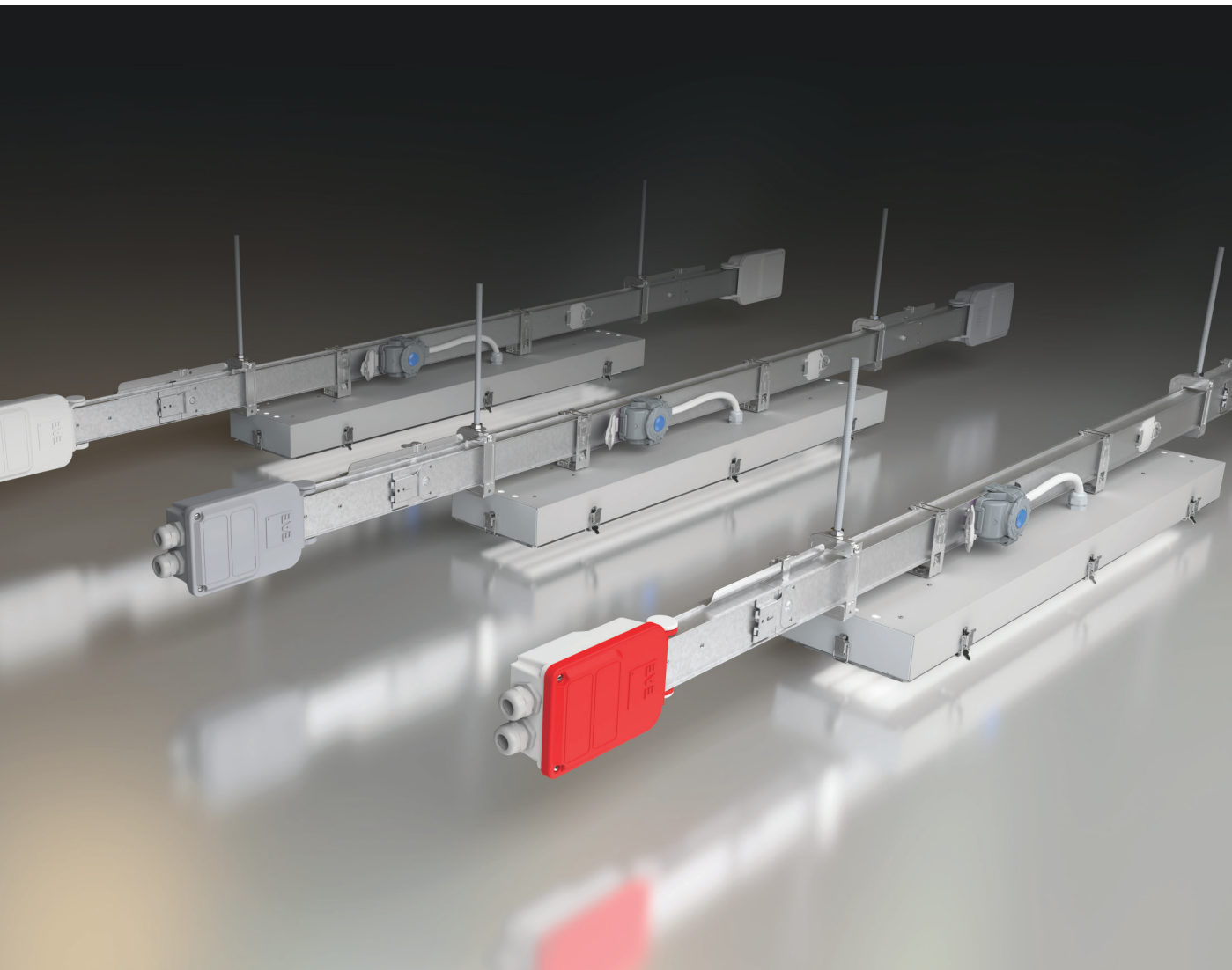




E-LINE SL

Low Power & Lighting Busbar System 25A-32A-40A



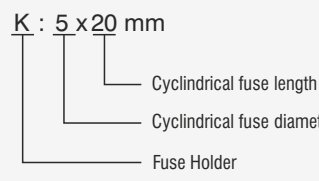
SL / SL-ACK / SL-DALI+ACK

LIGHTING BUSBAR SYSTEM TECHNICAL SUMMARY TABLE

(IEC 61439-6)

GROUP LINE	BUSBAR				OUTLET PLUG-IN			BODY	CONDUCTOR ^(*)	
	DESCRIPTION	DISTRIBUTION STRUCTURE	CAPACITY (A)		STD. LENGTH (mm)	FUNCTION	DISTANCE (mm)			QUANTITY (pc.)
1	SL	L1,L2,L3 /N /PE ^(Housing) L1,L2,L3 /N /CE /PE ^(Housing)	25	32	40	3000	Power (Feed)	750	4	0,5 mm Galvanized sheet metal, Elektrostatic Paint (RAL 7038) is optional Tin plated and full length insulation
2	SL-ACK ^(*)	L1,L2,L3 /N /L _{EMG} /PE ^(Housing)	25	32	40	3000	Power (Feed) + EMG Reference Phase (Common neutral)	750	4	
3	SL-DALI+ACK ^(*)	D1/D2/ L /N /L _{EMG} /PE ^(Housing)	25	32	40	3000	Power (Feed) + DALI Communication+ EMG Reference Phase (Common neutral)	750	4	

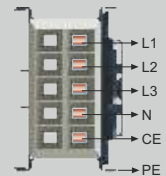
TAP-OFF (Plug-Box)		RATED CURRENT ^(*)						CABLE						
		UNFUSED			FUSED			SECTION (mm ²)	TYPE		LENGTH ^(*) (m)			
		(A)	SYMBOL	TYPE	(A)	SYMBOL	TYPE		Halogen Free	Standard (PVC)				
Colour Coded Covers indicate the phases, Special Lock Mechanism and Earthing Safety	SL	PLUG	10	BL	L/N/PE	-	-	-	3x0,75	052XZ1-F	-	0,75		
			16	B	L/N/PE(CE)	-	-	-	3x1,5	052XZ1-F	NYMHY	0,75		
					3P/N/PE(CE)	-	-	-	5x1,5	052XZ1-F	NYMHY	0,75		
		BOX	-	-	-	16	FS	L/N/PE(CE) (K:5x20mm)	-	-	-	-	-	
						25	S	L/N/PE(CE) (K:10x38mm)	-	-	-	-	-	-
								3P/N/PE(CE) Empty ^(*)	-	-	-	-	-	
	SL-ACK	PLUG ^(*)	16	B	L/N/PE	-	-	-	3x1,5	052XZ1-F	NYMHY	0,75		
					L/N/L _{ACK} /PE	-	-	-	4x1,5	052XZ1-F	NYMHY	0,75		
				K	L/N/PE	-	-	-	-	-	-	-		
			-	-	-	16	FS	L/N/PE (K:5x20mm)	-	-	-	-	-	-
								L/N/L _{ACK} /PE (K:5x20mm)	-	-	-	-	-	
								-	-	-	-	-		
SL-DALI+ACK	PLUG ^(*)	16	B	D1-D2/L/N/PE	-	-	-	5x1,5	052XZ1-F	NYMHY	0,75			
				D1-D2/L/N/L _{ACK} /PE	-	-	-	6x1,5	052XZ1-F	NYMHY	0,75			
			K	D1-D2/L/N/PE	-	-	-	-	-	-	-			
		-	-	16	FS	D1-D2/L/N/L _{ACK} /PE	-	-	-	-	-	-		
						D1-D2/L/N/PE (K:5x20mm)	-	-	-	-	-			
						D1-D2/L/N/L _{ACK} /PE (K:5x20mm)	-	-	-	-	-			

DESCRIPTIONS:	SYMBOLS :
(*1) Housing is the PE conductor. Equivalent cross-section area is 5,8 mm ² . For clean earth (CE), conductor cross-section area is 2,54 mm ² for 25A; 3,98 mm ² for 32A and 6,16 mm ² for 40A.	B Tap-off Plug (Unfused with cable) K Tap-off Plug with Clips (Unfused)
(*2) If the ACK (Emergency Kit Unit) neutral line is common, the reference phase (L _{ACK}) must be taken from a point after the leakage current protection device outlet on the panel. (See pages 21 and 29)	FS With cylindrical fuse (The cylindrical fuse holder is 5x20 mm. and fuse is not included.) S Empty, Suitable for MCB usage. (MCB is not included.)
(*3) 10A. (BL) Tap-off Plug /16A. (B) Tap-off Plug / 16A. (FS) Fused Holder Tap-off Plug / 16A. (K) Tap-off Plug with clips / 25A-S, 16A-FS. Empty Tap-off Box; it can be manufactured with clean earth (CE).	EMG Emergency kit reference voltage / feed. D1 Dali communication line - 1, D2 Dali communication line - 2
(*4) Cables may be manufactured with the desired length. (Standard length is 0,75m.)	K : 5 x 20 mm  Cyclindrical fuse length Cyclindrical fuse diameter Fuse Holder
(*5) Included DIN rail. Optionally, can be manufactured with mounted MCB. (MCB) is not included in standard production.	
(*6) SL-ACK and SL-DALI + ACK Busbar outlet windows and plug contacts are addressed and the use of SL and DL plugs in this case is blocked.	

E-LINESL/ACK/DALI+ACK

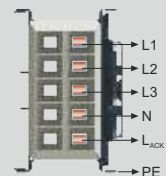
▶▶ E-LINE SL

General Characteristics	2-3
Order Code System	4
General Product Structure	5
Product Selection Tables / Standard Busbars	6
Product Selection Tables / Special Length Busbars	7
Product Selection Tables / Feeder Units	8-10
Product Selection Tables / Tap-off Plugs	11-13
Product Selection Tables / Tap-off Boxes	14
Project Design Form	15



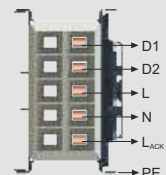
▶▶ E-LINE SL - ACK

General Characteristics	16-17
Product Selection Tables / Busbars	18-19
Product Selection Tables / Feeder Units	20-21
Product Selection Tables / Tap-off Plugs	22
SL-ACK Busbar Principle Connection Chart	23



▶▶ E-LINE SL - DALI + ACK

General Characteristics	24-25
Product Selection Tables / Busbars	26-27
Product Selection Tables / Feeder Units	28-29
Product Selection Tables / Tap-off Plugs	30
SL-DALI+ACK Busbar Principle Connection Chart	31
Project Design Form	32



▶▶ E-LINE SL / SL - ACK / SL - DALI + ACK

Brackets and Joints	33
Busbar and Fitting Brackets	34-36
Joint Installation	37
Tap-off Plugs Installation	38-39
Tap-off Box Installation	40-42
Technical Specifications	43
Product Overview (SL)	44
Product Overview (SL-ACK)	45
Product Overview (SL-DALI+ACK)	46
CE Declaration of Conformity	47
Certificates	48-50
Project Design Form	51-52

►► General Characteristics

E-Line DL Busbar Distribution Systems are used in building electrical installations with a power requirement of 25 to 40A. 16A output sockets and 25A output boxes are designed to supply lighting and wall socket circuit as per their specifications.

EAE Busbar Systems are produced in accordance with ISO 9001 standards with a certified Quality Assurance System using the world's latest manufacturing technologies. Units are designed and tested according to IEC 61439-6.



Tap-off Plugs

Tap-off plugs for SL Busbar systems are designed with different contact arrangements.

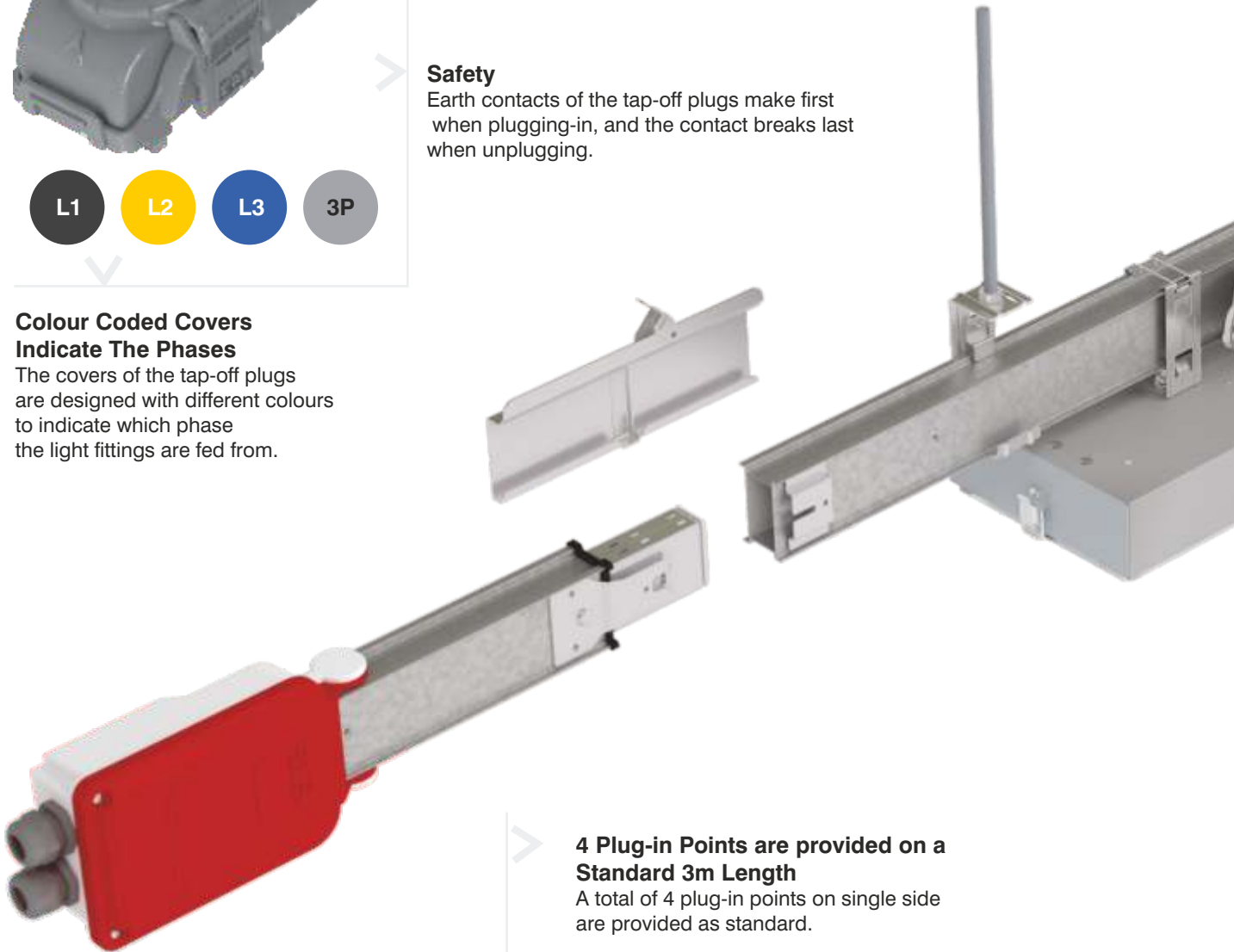
All the plugs are produced in order to be connected to the busbar in one direction to prevent the use of a wrong phase.

Safety

Earth contacts of the tap-off plugs make first when plugging-in, and the contact breaks last when unplugging.

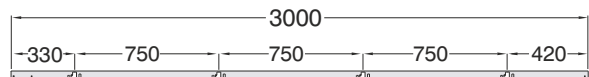
Colour Coded Covers Indicate The Phases

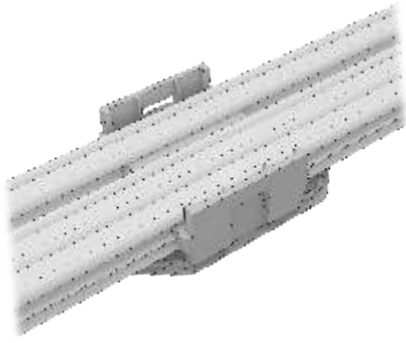
The covers of the tap-off plugs are designed with different colours to indicate which phase the light fittings are fed from.



4 Plug-in Points are provided on a Standard 3m Length

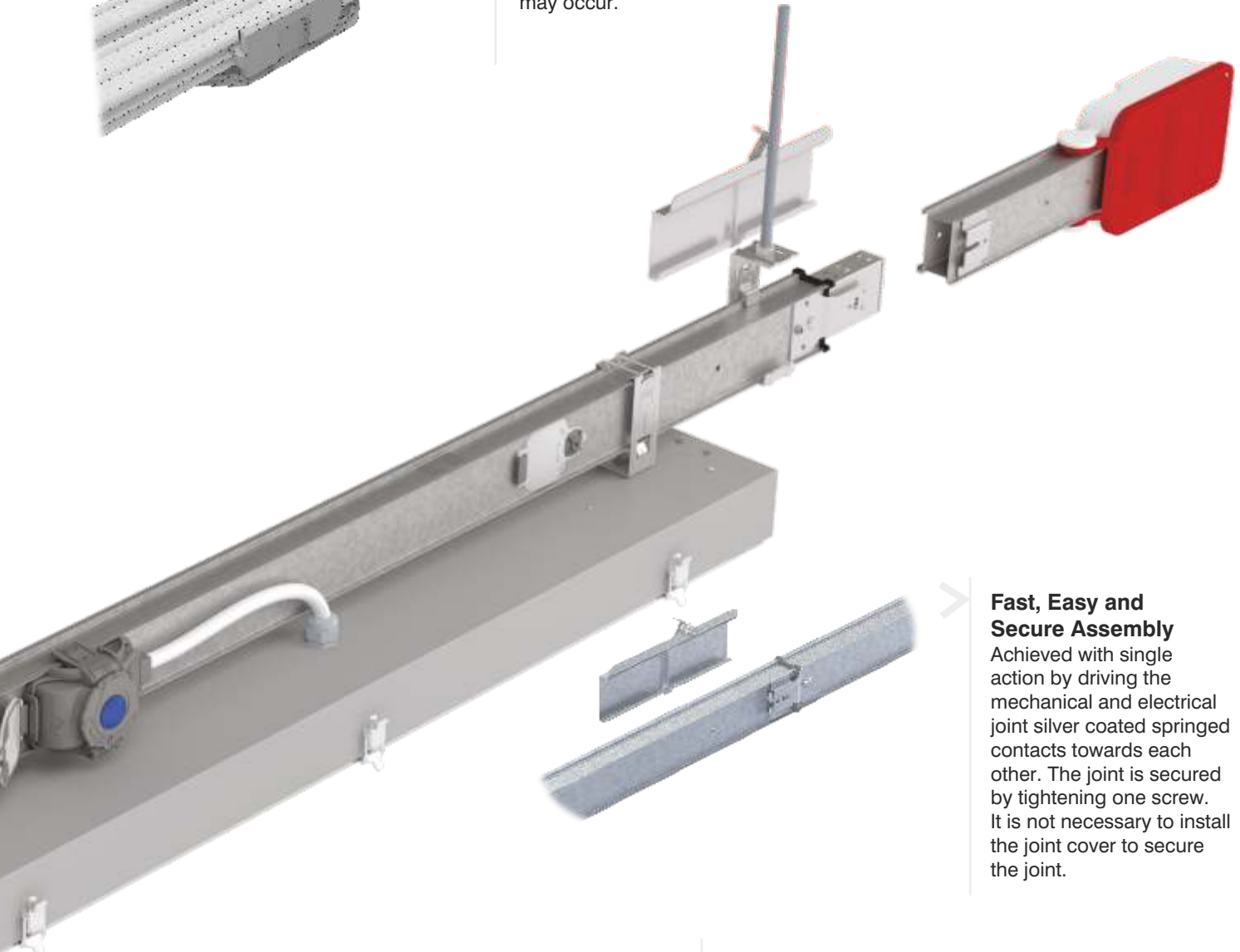
A total of 4 plug-in points on single side are provided as standard.





Full Isolation

The busbar conductors are coated in flame-proof insulation material. Total security regarding human safety is provided even when the body is severely damaged due to external heavy impacts that may occur.



Fast, Easy and Secure Assembly

Achieved with single action by driving the mechanical and electrical joint silver coated sprung contacts towards each other. The joint is secured by tightening one screw. It is not necessary to install the joint cover to secure the joint.



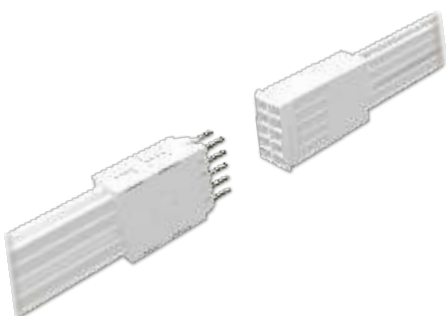
Tin Coated Conductors

Formation of Copper Oxide is prevented by tin plating the conductors along their full length. This ensures that contact resistances are minimised. The contacts of the tap-off plugs contact the busbar conductors on two surfaces.



Silver Coated Joint Contacts

The contacts at the joints of the busbar and the contacts of all tap-off units are silver coated. The silver coating minimises the contact impedances, thus preventing the over-heating of the contacts in case of possible over-loads.



BUSBAR TYPE
 BUSBAR CURRENT RATING
 CONDUCTOR CONFIGURATION
 PAINTED (B) / UNPAINTED (-)
 COMPONENT

SL 2 5 B - S T D

Busbar Type

	Busbar Rated Current	Code
SL	25A	2
	32A	3
	40A	4

Busbar Current Rating

Components

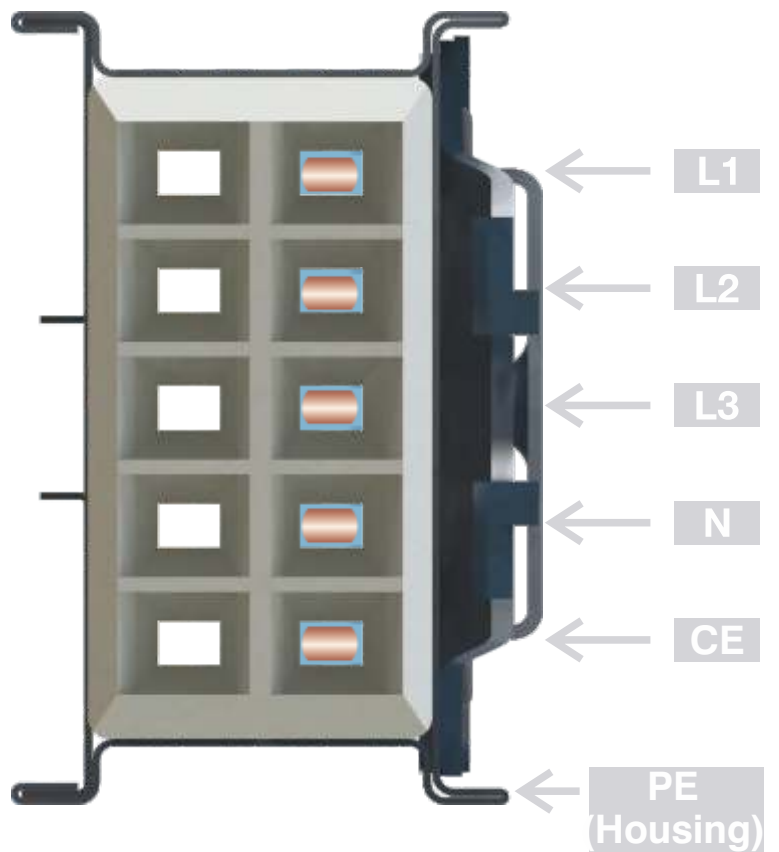
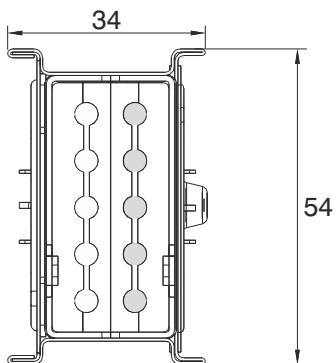
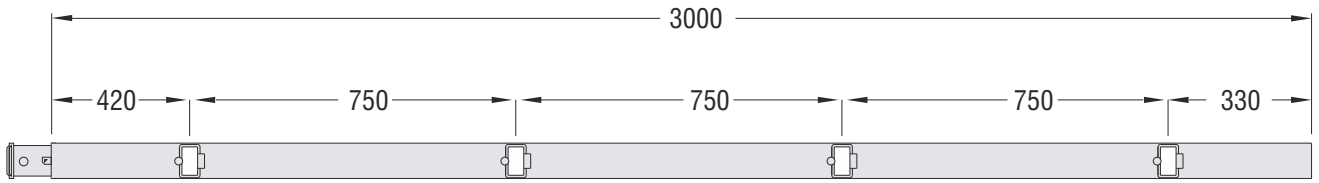
Standard Length	STD
Special Length	X
Feeder Box	B1
End Feeder Box	B2
Central Feeder Box	BO
Flexible Elbow	FD
Underfloor Feeder	B1
Underfloor End Feeder	B2

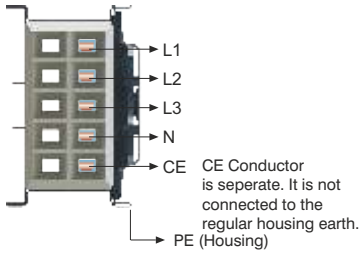
Painted(*)	B
Unpainted	-

(*) It may be manufactured as painted as per customer request.

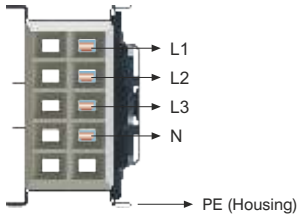
Conductor Configuration

Conductor Size	Code	Configuration
2 Conductors	2	L3, N, PE(Housing)
3 Conductors	3	L3, N, CE,PE(Housing)
4 Conductors	4	L1, L2, L3, N, PE(Housing)
5 Conductors	5	L1, L2, L3, N, CE,PE(Housing)

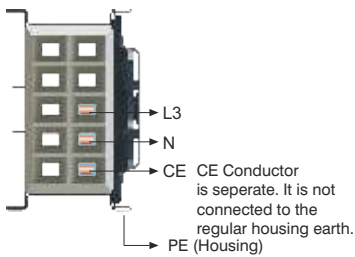




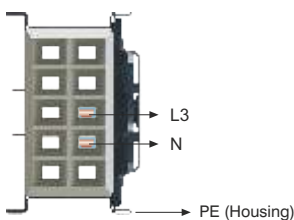
Current (A)	Description	Conductor Conf.	Order Code
25	SL 25 Busbar	5	3055928
32	SL 35 Busbar	5	3055929
40	SL 45 Busbar	5	3055930



Current (A)	Description	Conductor Conf.	Order Code
25	SL 24 Busbar	4	3055924
32	SL 34 Busbar	4	3055925
40	SL 44 Busbar	4	3055927



Current (A)	Description	Conductor Conf.	Order Code
25	SL 23 Busbar	3	3055921
32	SL 33 Busbar	3	3055922
40	SL 43 Busbar	3	3055923

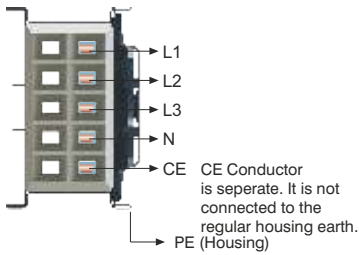


Current (A)	Description	Conductor Conf.	Order Code
25	SL 22 Busbar	2	3055917
32	SL 32 Busbar	2	3055918
40	SL 42 Busbar	2	3055919

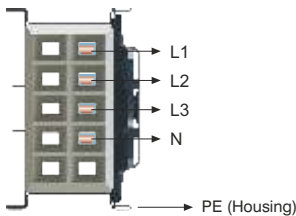
■ Body is manufactured from 0.50 mm galvanised sheet steel.

■ For non-standard product, please contact our technical office.

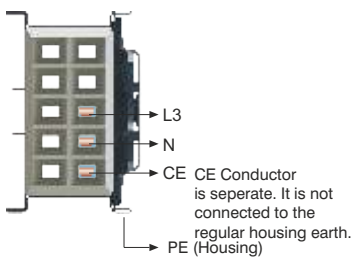
Special Length Busbars are manufactured as 1m/1,5m/2m/2,5m.



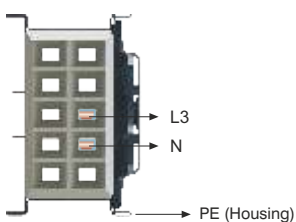
Current (A)	Description	Conductor Conf.	Order Code
25	SL 25 Special Length	5	3055940
32	SL 35 Special Length	5	3055941
40	SL 45 Special Length	5	3055942



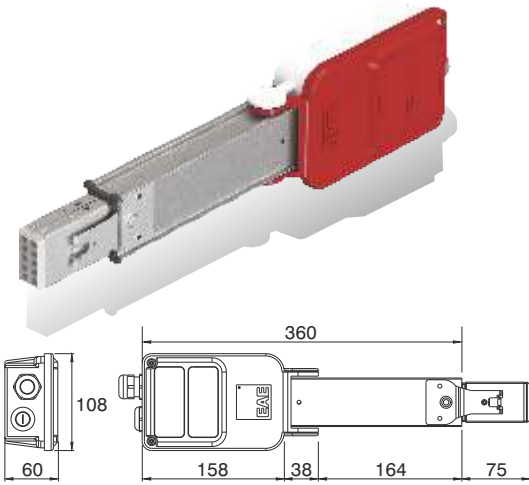
Current (A)	Description	Conductor Conf.	Order Code
25	SL 24 Special Length	4	3055937
32	SL 34 Special Length	4	3055938
40	SL 44 Special Length	4	3055939



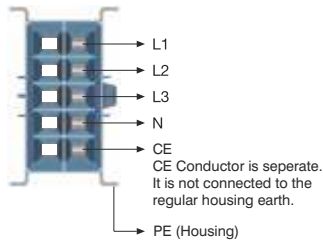
Current (A)	Description	Conductor Conf.	Order Code
25	SL 23 Special Length	3	3055934
32	SL 33 Special Length	3	3055935
40	SL 43 Special Length	3	3055936



Current (A)	Description	Conductor Conf.	Order Code
25	SL 22 Special Length	2	3055931
32	SL 32 Special Length	2	3055932
40	SL 42 Special Length	2	3055933



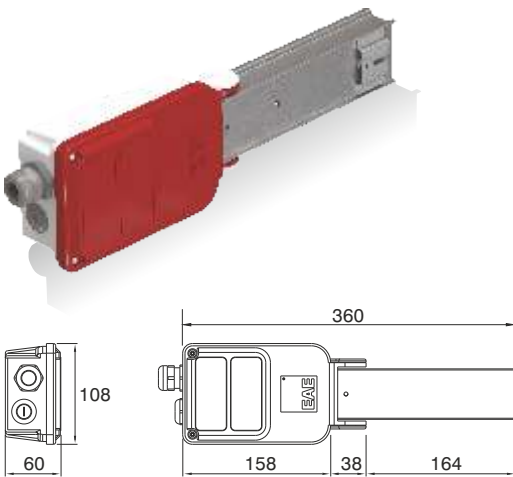
Feeder Unit



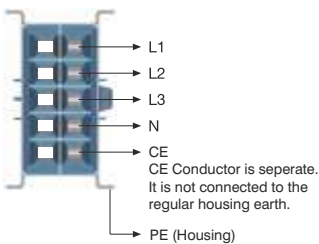
(B1) Feeder Units

Current (A)	Description	Busbars	Order Code
25	SL 25 - B1 Feeder Unit	SL 25 SL 24 SL 23 SL 22	3055943
32	SL 35 - B1 Feeder Unit	SL 35 SL 34 SL 33 SL 32	3055945
40	SL 45 - B1 Feeder Unit	SL 45 SL 44 SL 43 SL 42	3055946

* With PE Conductor and M25 Gland as standard.



End Feeder Unit



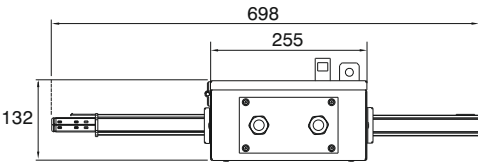
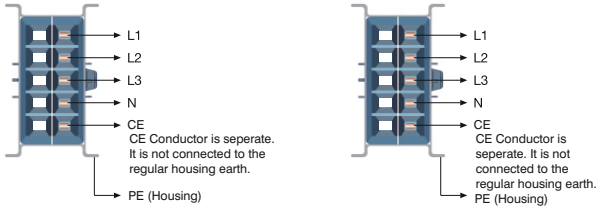
(B2) End Feeder Units

Current (A)	Description	Busbars	Order Code
25	SL 25 - B2 End Feeder Unit	SL 25 SL 24 SL 23 SL 22	3055948
32	SL 35 - B2 End Feeder Unit	SL 35 SL 34 SL 33 SL 32	3055949
40	SL 45 - B2 End Feeder Unit	SL 45 SL 44 SL 43 SL 42	3055951

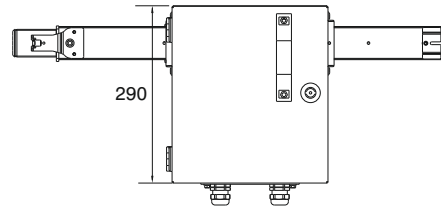
* With PE Conductor and M25 Gland as standard.

- The body is manufactured from 0,50 mm galvanised sheet steel.
- For non-standard product, please contact our technical office.

(BO) Central Feeder Units



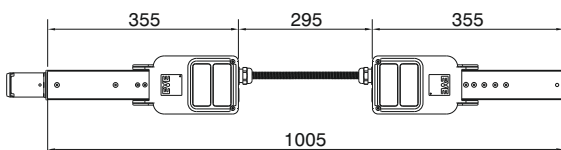
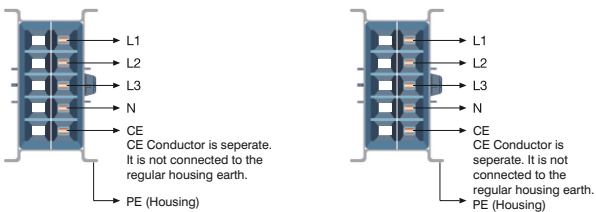
Central Feeder Unit



Current (A)	Description	Busbars	Order Code
25	SL 25 - BO Central Feeder Unit	SL 25 SL 24 SL 23 SL 22	3133158
32	SL 35 - BO Central Feeder Unit	SL 35 SL 34 SL 33 SL 32	3133160
40	SL 45 - BO Central Feeder Unit	SL 45 SL 44 SL 43 SL 42	3133162

* With PE Conductor and M25 Gland as standard.

(FD) Flexible Elbow

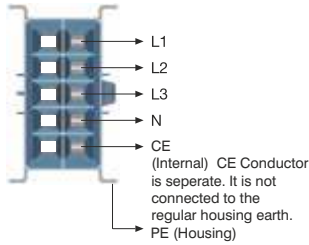
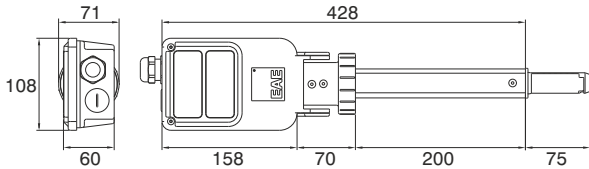


Flexible Elbow

Current (A)	Description	Busbars	Order Code
25	SL 25 - FD Flexible Elbow	SL 25 SL 24 SL 23 SL 22	3055952
32	SL 35 - FD Flexible Elbow	SL 35 SL 34 SL 33 SL 32	3055953
40	SL 45 - FD Flexible Elbow	SL 45 SL 44 SL 43 SL 42	3055954

* With PE Conductor and M25 Gland as standard.

- Body is manufactured from 0.50 mm galvanised sheet steel.
- For non-standard product, please contact our technical office.

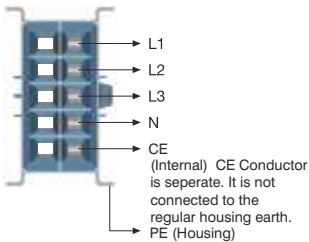
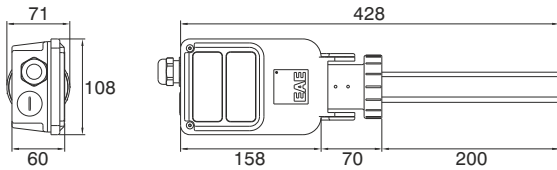


Feeder Unit

(B1) Feeder Units

Current (A)	Description	Busbars	Order Code
25	SL 25 - B1 Raised Underfloor Feeder Unit	SL 25	3055973
		SL 24	
		SL 23	
32	SL 35 - B1 Raised Underfloor Feeder Unit	SL 35	3055974
		SL 34	
		SL 33	
40	SL 45 - B1 Raised Underfloor Feeder Unit	SL 45	3055975
		SL 44	
		SL 43	
		SL 42	

* With PE conductor and M25 Gland as standard.



End Feeder Unit

(B2) End Feeder Units

Current (A)	Description	Busbars	Order Code
25	SL 25 - B2 Raised Underfloor End Feeder Unit	SL 25	3055980
		SL 24	
		SL 23	
32	SL 35 - B2 Raised Underfloor End Feeder Unit	SL 35	3055981
		SL 34	
		SL 33	
40	SL 45 - B2 Raised Underfloor End Feeder Unit	SL 45	3055982
		SL 44	
		SL 43	
		SL 42	

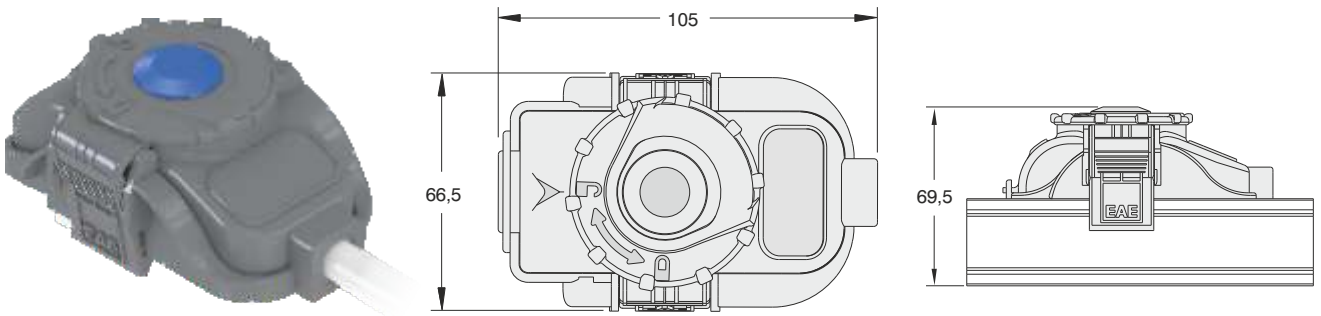
* With PE conductor and M25 Gland as standard.

- Body is manufactured from 0.50 mm galvanised sheet steel.
- For non-standard product, please contact our technical office.

Tap-off Plug (B)

Current (A)	Description	Cable Length / Type		Phase	Properties	Order Code	
		Halogen Free	Standard (PVC)			Halogen Free	Standard (PVC)
16	DL / SL 16 - B Tap-off Plug L1	0,75 m.	0,75 m.	L1, N, PE	With Black Cover	3063696	3086972
	DL / SL 16 - B Tap-off Plug L2	052XZ1-F 3x1,5 mm ² cable(*)	NYMHY 3x1,5 mm ² cable(*)	L2, N, PE	With Yellow Cover	3063697	3086974
	DL / SL 16 - B Tap-off Plug L3			L3, N, PE	With Blue Cover	3063698	3086975
	DL / SL 16 - B Tap-off Plug L123	5x1,5 mm ²	5x1,5 mm ²	L1, L2, L3, N, PE	With Grey Cover	3066319	3086976

* Plugs with different length cable available upon request.

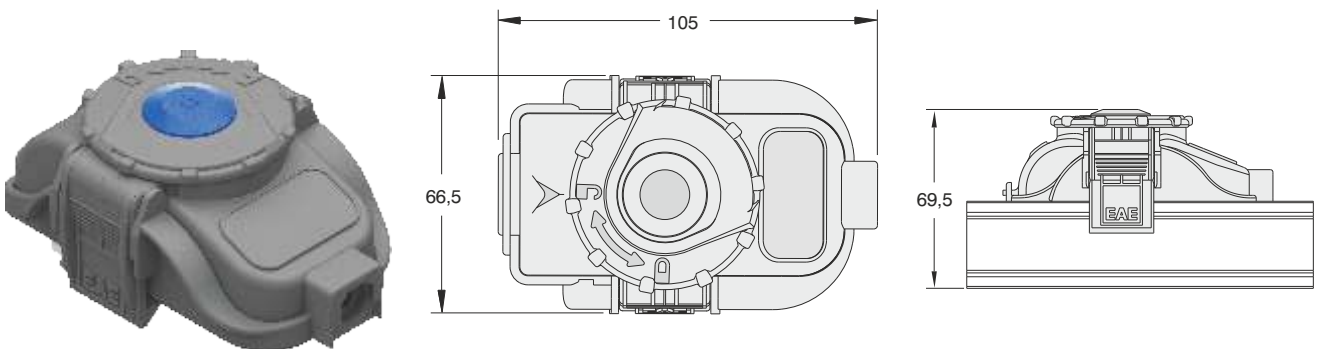


DL / SL 16 - B

Plug with Fuse Holder (FS) / Plug with Clips (K)

Current (A)	Description	Cable Length / Type	Phase	Properties	Order Code
16	DL / SL 16 - FS Tap-off Plug L1	-	L1, N, PE	With Black Cover	3063703
	DL / SL 16 - FS Tap-off Plug L2	-	L2, N, PE	With Yellow Cover	3063704
	DL / SL 16 - FS Tap-off Plug L3	-	L3, N, PE	With Blue Cover	3063705
16	DL / SL 16 - K Tap-off Plug L1	-	L1, N, PE	Without Fuses.	3063699
	DL / SL 16 - K Tap-off Plug L2	-	L2, N, PE	Without Fuses.	3063701
	DL / SL 16 - K Tap-off Plug L3	-	L3, N, PE	Without Fuses.	3063702
	DL / SL 16 - K Tap-off Plug L123	-	L1, L2, L3, N, PE	Without Fuses.	3063700

** Cylindrical fuse not included.

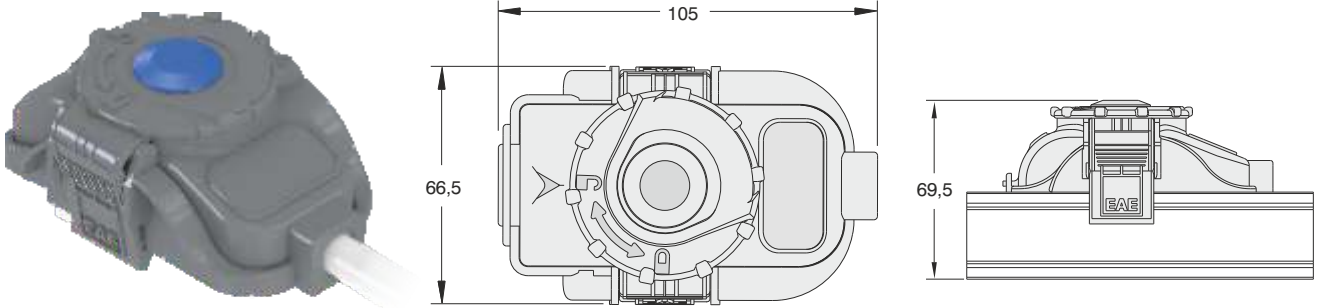


DL / SL 16 - FS
DL / SL 16 - K

Tap-off Plug (B) (Clean Earth)

Current (A)	Description	Cable Length / Type		Phase	Properties	Order Code	
		Halogen Free	Standard (PVC)			Halogen Free	Standard (PVC)
16	DL / SL 16 - B - CE Tap-off Plug L1	0,75 m.	0,75 m.	L1, N, CE	With Black Cover	3063709	3086978
	DL / SL 16 - B - CE Tap-off Plug L2	052XZ1-F 3x1,5 mm ² cable(*)	NYMHY 3x1,5 mm ² cable(*)	L2, N, CE	With Yellow Cover	3063710	3086979
	DL / SL 16 - B - CE Tap-off Plug L3			L3, N, CE	With Blue Cover	3063711	3086980
	DL / SL 16 - B - CE Tap-off Plug L123	5x1,5 mm ²	5x1,5 mm ²	L1, L2, L3, N, CE	With Grey Cover	3066323	3086982

* Plugs with different length cable available upon request.

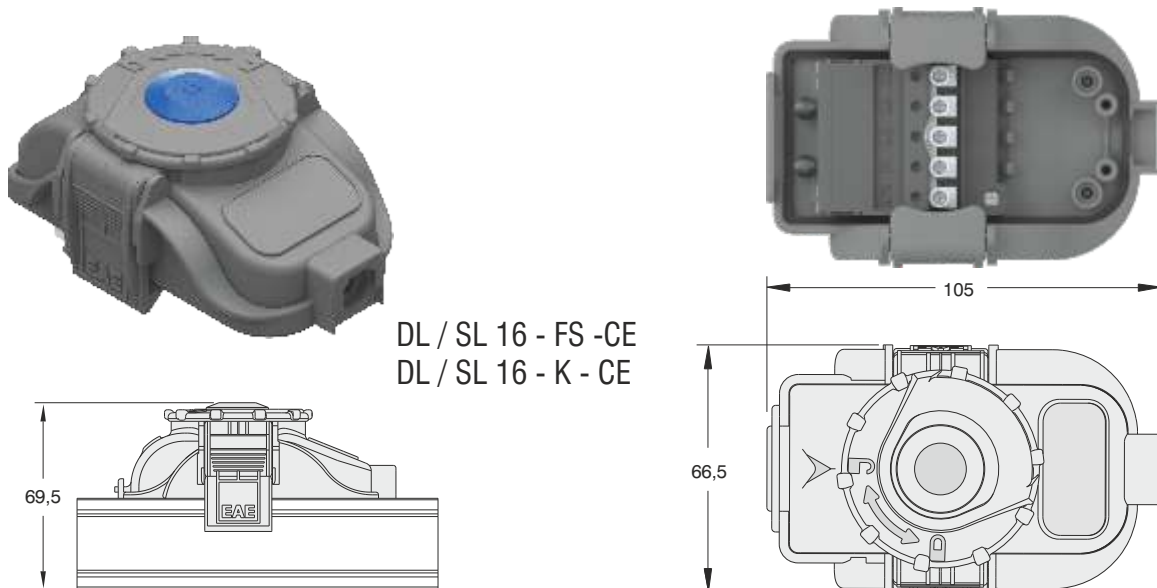


DL / SL 16 - B - CE

Plug with Fuse Holder (FS) / Plug with Clips (K) (Clean Earth)

Current (A)	Description	Cable Length / Type	Phase	Properties	Order Code	
16	DL / SL 16 - FS - CE Tap-off Plug L1	-	L1, N, CE	With Black Cover	With 5 x 20 mm fuse holders (**) Max. diameter of feeder cable is Ø 11 mm.	3063717
	DL / SL 16 - FS - CE Tap-off Plug L2	-	L2, N, CE	With Yellow Cover		3063718
	DL / SL 16 - FS - CE Tap-off Plug L3	-	L3, N, CE	With Blue Cover		3063719
16	DL / SL 16 - K - CE Tap-off Plug L1	-	L1, N, CE	With Black Cover	Without Fuses. Max. diameter of feeder cable is Ø 11 mm.	3063712
	DL / SL 16 - K - CE Tap-off Plug L2	-	L2, N, CE	With Yellow Cover		3063715
	DL / SL 16 - K - CE Tap-off Plug L3	-	L3, N, CE	With Blue Cover		3063716
	DL / SL 16 - K - CE Tap-off Plug L123	-	L1, L2, L3, N, CE	With Grey Cover		3063713

** Cylindrical fuse not included.



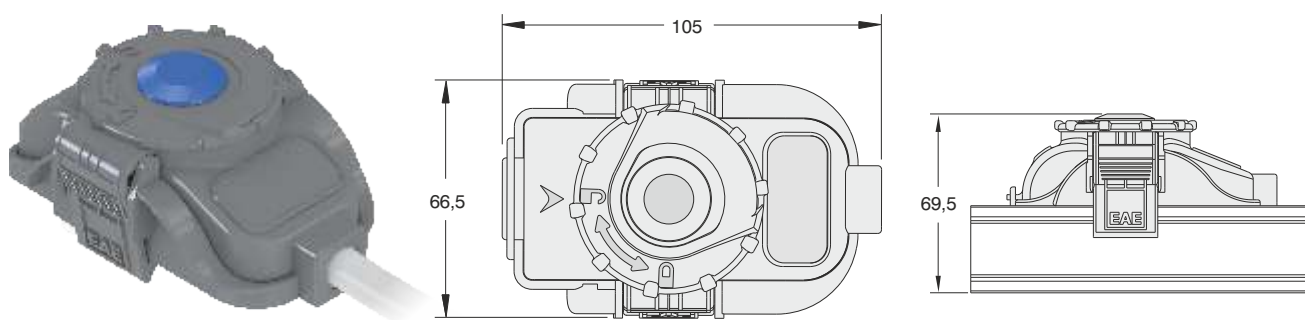
DL / SL 16 - FS - CE
DL / SL 16 - K - CE

Tap-off Plug (BL)**

Current (A)	Description	Cable Length / Type	Phase	Properties	Order Code
					senza alogeno
10	DL / SL 10 - BL Tap-off Plug L1	0,75 m. 052XZ1-F 3x0,75 mm ² cable(*)	L1, N, PE	With Black Cover	3134599
	DL / SL 10 - BL Tap-off Plug L2		L2, N, PE	With Yellow Cover	3134600
	DL / SL 10 - BL Tap-off Plug L3		L3, N, PE	With Blue Cover	3134601

* Plugs with different length cable available upon request.

** It is used only for lighting fittings supply in lighting circuits.



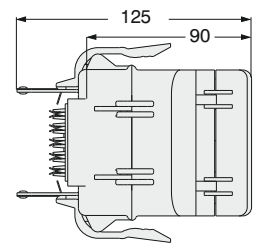
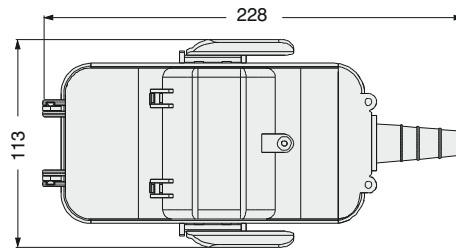
DL / SL 10 - BL



Suitable for MCB Empty Tap-off Box (S)

Current (A)	Description	Phase	Properties	Order Code
25	DL/SL 25 - S Empty Tap-off Box(CE)* L1,L2,L3	L1, L2, L3, N, CE	Included DIN rail. It can be used with MCB.(*)	3024481
	DL/SL 25 - S Empty Tap-off Box(CE)* L1	L1, N, CE		3066511
	DL/SL 25 - S Empty Tap-off Box(CE)* L2	L2, N, CE		3066512
	DL/SL 25 - S Empty Tap-off Box(CE)* L3	L3, N, CE		3066513
	DL/SL 25 - S Empty Tap-off Box (PE)* L1,L2,L3	L1, L2, L3, N, PE		3024482
	DL/SL 25 - S Empty Tap-off Box (PE)* L1	L1, N, PE		3066508
	DL/SL 25 - S Empty Tap-off Box (PE)* L2	L2, N, PE		3066509
	DL/SL 25 - S Empty Tap-off Box (PE)* L3	L3, N, PE		3066510

* MCB not included.

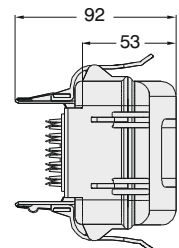
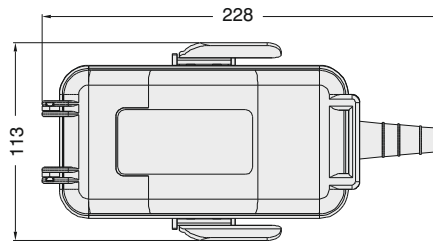


DL / SL 25 - S (CE)
DL / SL 25 - S (PE)

Suitable for Fuse Holder Empty Tap-off Box (FS)


Current (A)	Description	Phase	Properties	Order Code
16	DL/SL 16 - FS Empty Tap-off Box(CE)* L1,L2,L3	L1, L2, L3, N, CE	Included DIN rail. It can be used with 10x38mm cylindrical fuse holder and cylindrical fuse. (**)	3084928
	DL/SL 16 - FS Empty Tap-off Box(CE)* L1	L1, N, CE		3084929
	DL/SL 16 - FS Empty Tap-off Box(CE)* L2	L2, N, CE		3084930
	DL/SL 16 - FS Empty Tap-off Box(CE)* L3	L3, N, CE		3084931
	DL/SL 16 - FS Empty Tap-off Box (PE)* L1,L2,L3	L1, L2, L3, N, PE		3084923
	DL/SL 16 - FS Empty Tap-off Box (PE)* L1	L1, N, PE		3084925
	DL/SL 16 - FS Empty Tap-off Box (PE)* L2	L2, N, PE		3084926
	DL/SL 16 - FS Empty Tap-off Box (PE)* L3	L3, N, PE		3084927

** Cylindrical fuse not included.



DL / SL 16 - FS (CE)
DL / SL 16 - FS (PE)

Component List	Component	Quantity
Item		
Company : Project : Project No :		Prepared by Name : Date : Signature :



Please duplicate this page for your own use.

ELINESL-ACK

►► General Characteristics

E-Line SL-ACK Busbar Systems are used in 25-40A energy consuming building electrical installations. Due to the features of the 16A outlet plugs, especially the lighting fixtures with emergency lighting kit (ACK) is designed to feed lighting circuits on a single output pin.

EAE Busbar Systems are produced in accordance with ISO 9001 standards with a certified Quality Assurance System using the world's latest manufacturing technologies. Units are designed and tested according to IEC 61439-6.

Tap-off Plugs

Tap-off plugs of SL-ACK busbar systems are designed with different contact arrangements. All the plugs are produced in one direction to prevent the use of a wrong phase.

Safety

Earth contacts of the tap-off plugs make first when plugging-in, and the contact breaks last when unplugging.

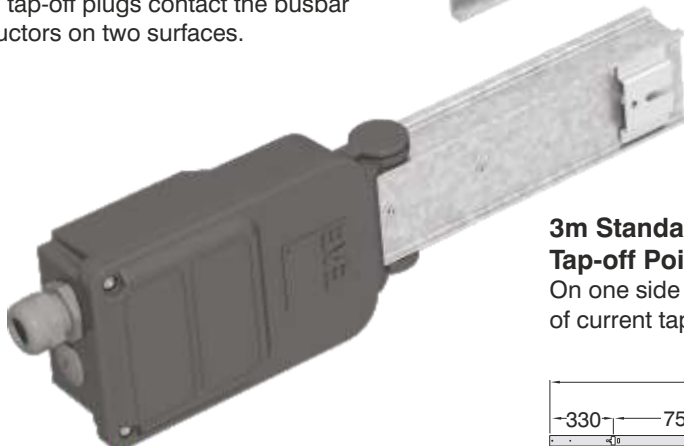
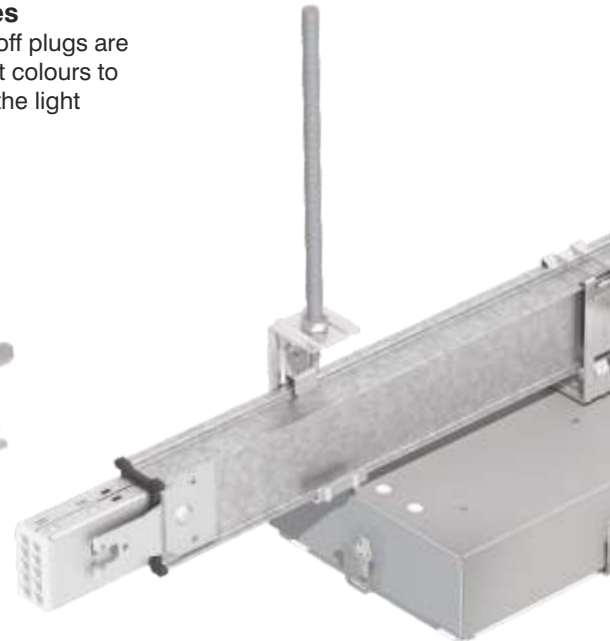


Colour Coded Covers Indicate The Phases

The covers of the tap-off plugs are designed with different colours to indicate which phase the light fittings are fed from.

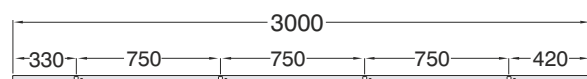
Tin Coated Conductors and Contact Structure

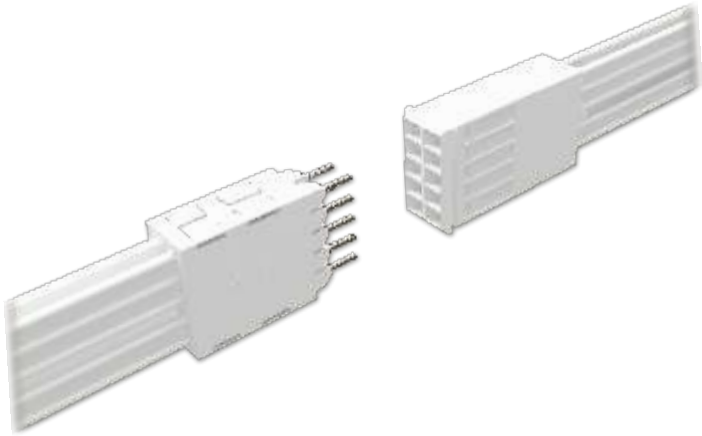
Formation of Copper Oxide is prevented by tin plating the conductors along their full length. This ensures that contact resistances are minimised. The contacts of the tap-off plugs contact the busbar conductors on two surfaces.



3m Standard Length 4 Current Tap-off Points

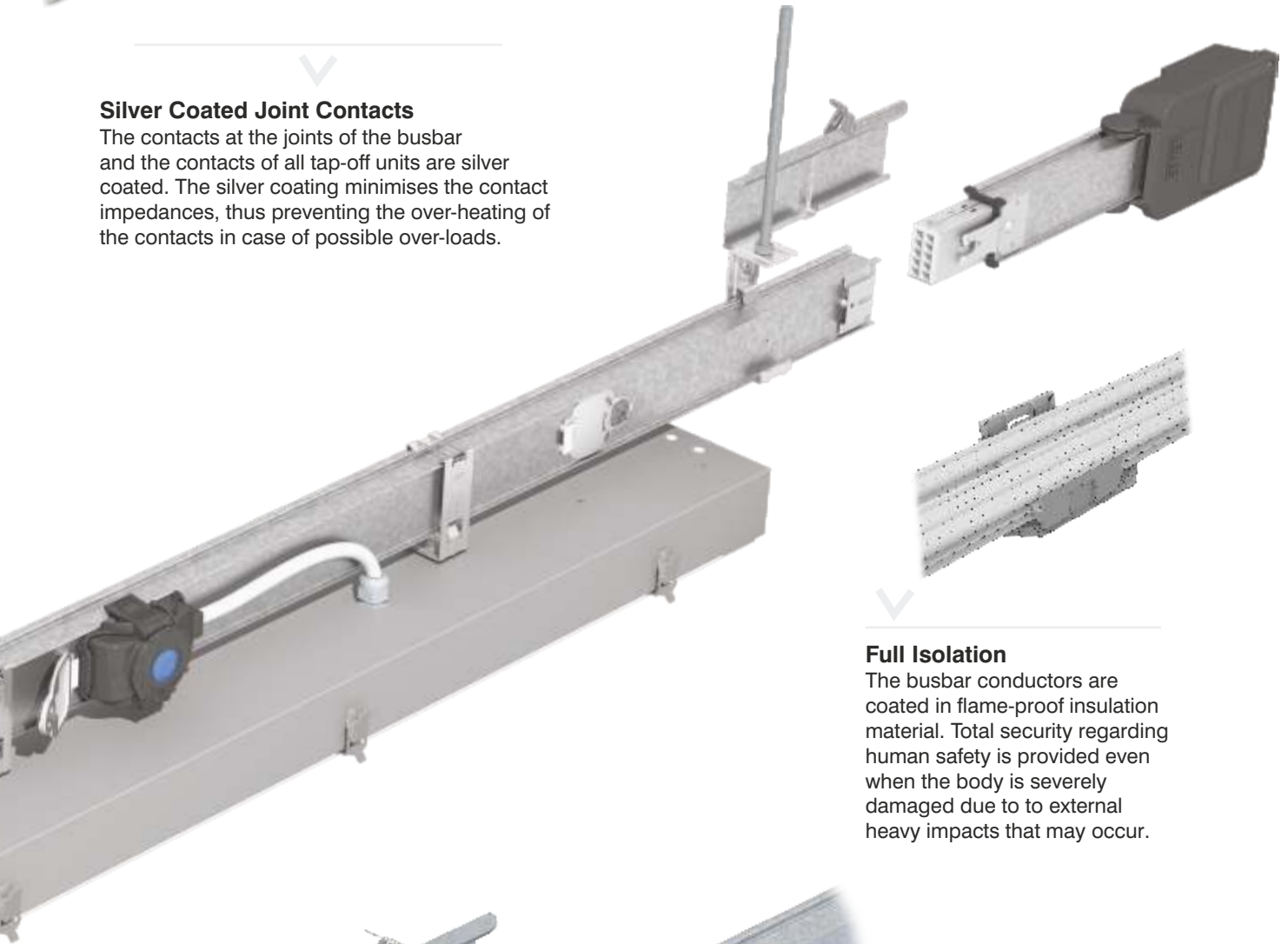
On one side of the busbar there is a total of 4 points of current tap-off points and is offered as standard.





Silver Coated Joint Contacts

The contacts at the joints of the busbar and the contacts of all tap-off units are silver coated. The silver coating minimises the contact impedances, thus preventing the over-heating of the contacts in case of possible over-loads.



Full Isolation

The busbar conductors are coated in flame-proof insulation material. Total security regarding human safety is provided even when the body is severely damaged due to external heavy impacts that may occur.

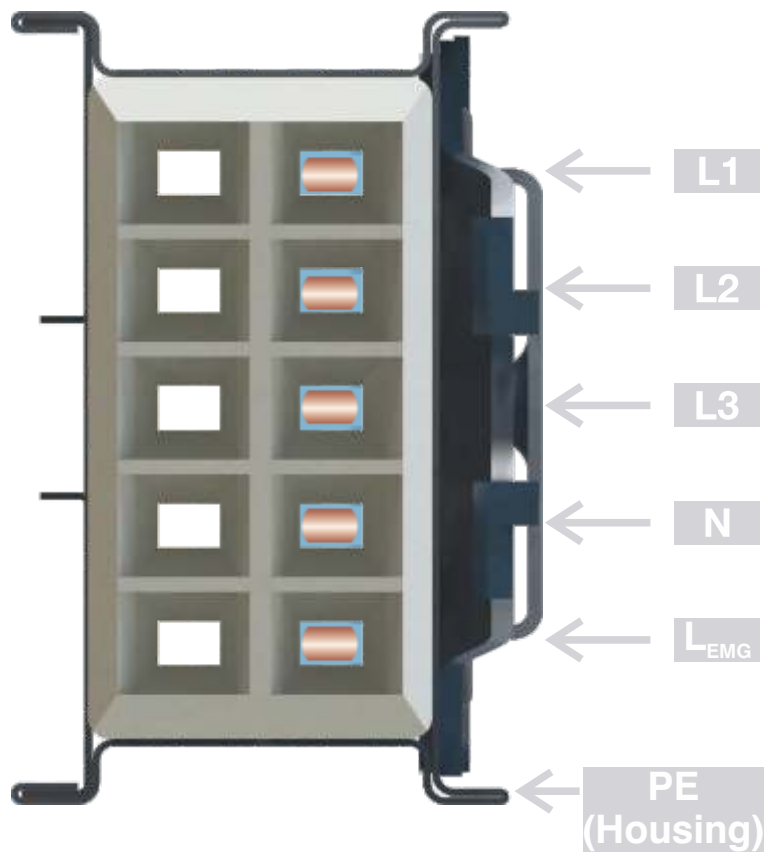
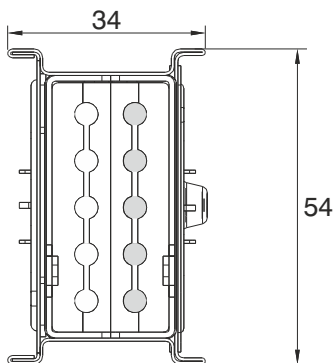
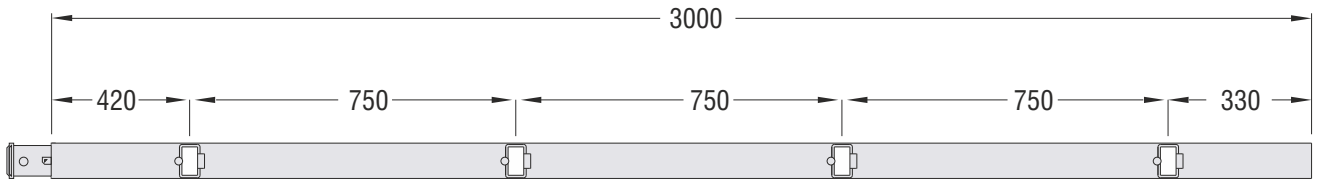


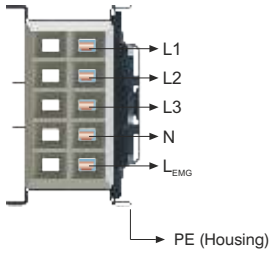
Fast, Easy and Secure Assembly

Achieved with single action by driving the mechanical and electrical joint silver coated sprung contacts towards each other. The joint is secured by tightening one screw. It is not necessary to install the joint cover to secure the joint.

ELINESL-ACK

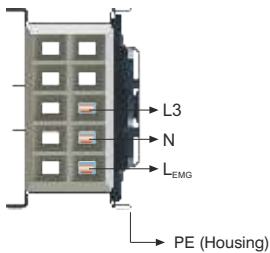
►► Product Selection Tables / Standard Busbars



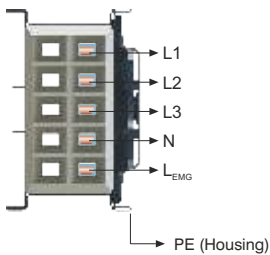


Standard Busbar (3m)

Current (A)	Description	Conductor Conf.(*)	Order Code
25	SL 25 - ACK - STD Busbar	5	3108871
32	SL 35 - ACK - STD Busbar	5	3108888
40	SL 45 - ACK - STD Busbar	5	3108904

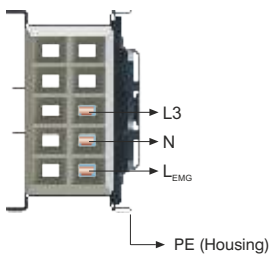


Current (A)	Description	Conductor Conf.(*)	Order Code
25	SL 23 - ACK - STD Busbar	3	3108872
32	SL 33 - ACK - STD Busbar	3	3108889
40	SL 43 - ACK - STD Busbar	3	3108905



Special Length Busbar (Special Length Busbars are manufactured as 1m/1,5m/2m/2,5m.)

Current (A)	Description	Conductor Conf.(*)	Order Code
25	SL 25 - ACK - X Special Length	5	3108873
32	SL 35 - ACK - X Special Length	5	3108890
40	SL 45 - ACK - X Special Length	5	3108906



Current (A)	Description	Conductor Conf.(*)	Order Code
25	SL 23 - ACK - X Special Length	3	3108874
32	SL 33 - ACK - X Special Length	3	3108891
40	SL 43 - ACK - X Special Length	3	3108907

ATTENTION :

(*) SL-ACK Busbar; Is three phase, and the reference voltage of the power supply, remote control and emergency kit unit (ACK) of the luminaries is provided by a single plug.

■ Body is manufactured from 0.50 mm galvanised sheet steel.

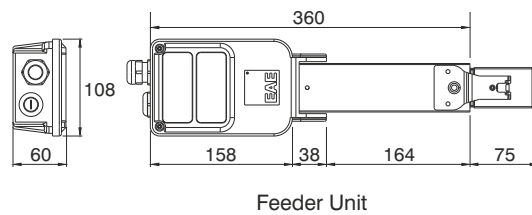
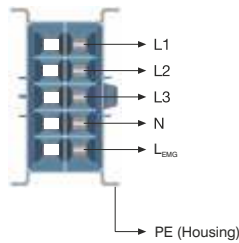
■ For non-standard product, please contact our technical office.



(B1) Feeder Units

Current (A)	Description	Busbars	Order Code
25	SL 25 - ACK - B1 Feeder Unit	SL - ACK 25 SL - ACK 23	3108878
32	SL 35 - ACK - B1 Feeder Unit	SL - ACK 35 SL - ACK 33	3108895
40	SL 45 - ACK - B1 Feeder Unit	SL - ACK 45 SL - ACK 43	3108911

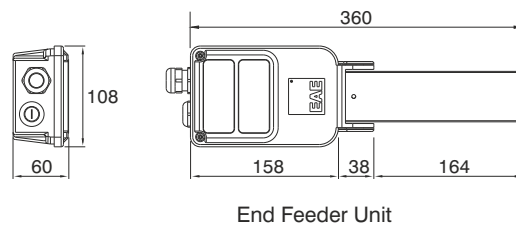
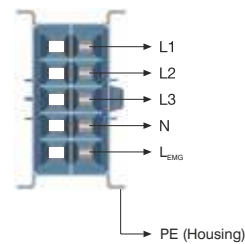
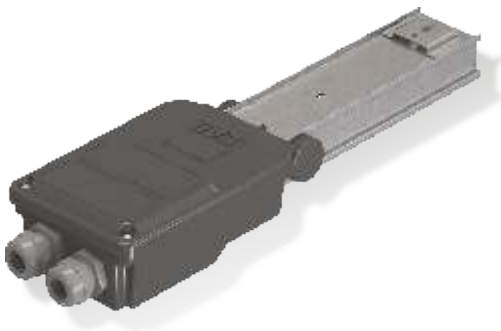
* With M25 Gland as standard.



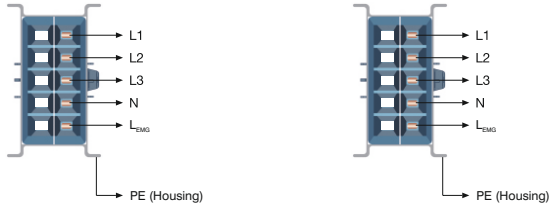
(B2) End Feeder Units

Current (A)	Description	Busbars	Order Code
25	SL 25 - ACK - B2 End Feeder Unit	SL - ACK 25 SL - ACK 23	3108879
32	SL 35 - ACK - B2 End Feeder Unit	SL - ACK 35 SL - ACK 33	3108896
40	SL 45 - ACK - B2 End Feeder Unit	SL - ACK 45 SL - ACK 43	3108912

* With M25 Gland as standard.



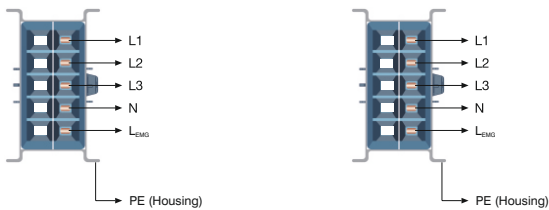
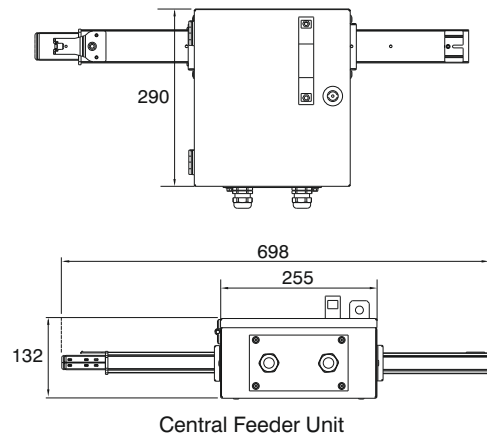
- The body is manufactured from 0,50 mm galvanised sheet steel.
- For non-standard product, please contact our technical office.



(BO) Central Feeder Units

Current (A)	Description	Busbars	Order Code
25	SL 25 - ACK - BO Central Feeder Unit	SL - ACK 25 SL - ACK 23	3133164
32	SL 35 - ACK - BO Central Feeder Unit	SL - ACK 35 SL - ACK 33	3133166
40	SL 45 - ACK - BO Central Feeder Unit	SL - ACK 45 SL - ACK 43	3133168

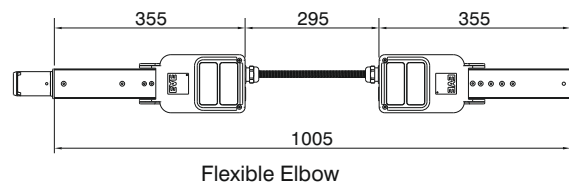
* With M25 Gland as standard.



(FD) Flexible Elbow

Current (A)	Description	Busbars	Order Code
25	SL 25 - ACK - FD Flexible Elbow	SL - ACK 25 SL - ACK 23	3108882
32	SL 35 - ACK - FD Flexible Elbow	SL - ACK 35 SL - ACK 33	3108899
40	SL 45 - ACK - FD Flexible Elbow	SL - ACK 45 SL - ACK 43	3108915

* With M25 Gland as standard.

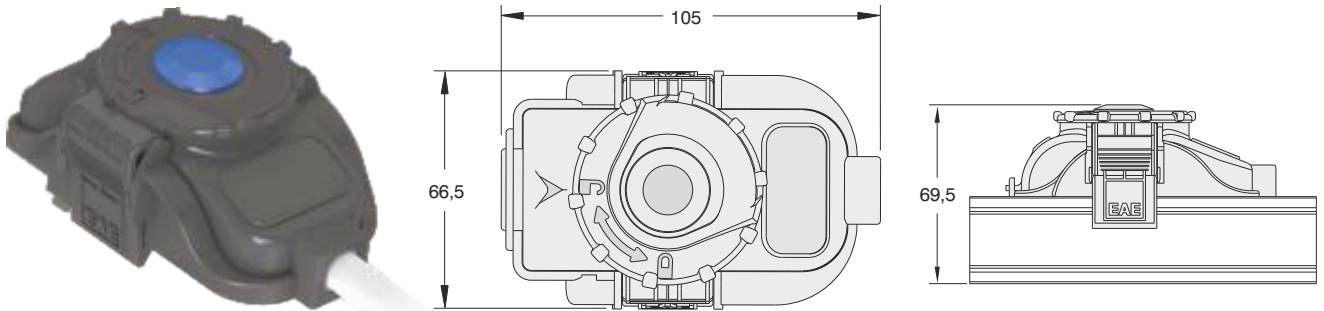


- Body is manufactured from 0.50 mm galvanised sheet steel.
- For non-standard product, please contact our technical office.

Tap-off Plug (B)

Current (A)	Description	Cable Length / Type		Phase	Properties	Order Code	
		Halogen Free	Standard (PVC)			Halogen Free	Standard (PVC)
16	SL - ACK 16 - B Power Tap-off Plug L1	0,75 m. 052XZ1-F	0,75 m. NYMHY	L1, N, PE	With Black Cover	3108952	3108953
	SL - ACK 16 - B Power Tap-off Plug L2	3x1,5 mm ²	3x1,5 mm ²	L2, N, PE	With Yellow Cover	3108956	3108957
	SL - ACK 16 - B Power Tap-off Plug L3	Cable(*)	Cable(*)	L3, N, PE	With Blue Cover	3108958	3108959
16	SL-ACK 16 - B Power+ACK Tap-off Plug L1	0,75 m. 052XZ1-F	0,75 m. NYMHY	L1, N, L _{ACK} , PE	With Black Cover	3108960	3108961
	SL-ACK 16 - B Power+ACK Tap-off Plug L2	4x1,5 mm ²	4x1,5 mm ²	L2, N, L _{ACK} , PE	With Yellow Cover	3108962	3108963
	SL-ACK 16 - B Power+ACK Tap-off Plug L3	Cable(*)	Cable(*)	L3, N, L _{ACK} , PE	With Blue Cover	3108964	3108965

* Plugs with different length cable available upon request.

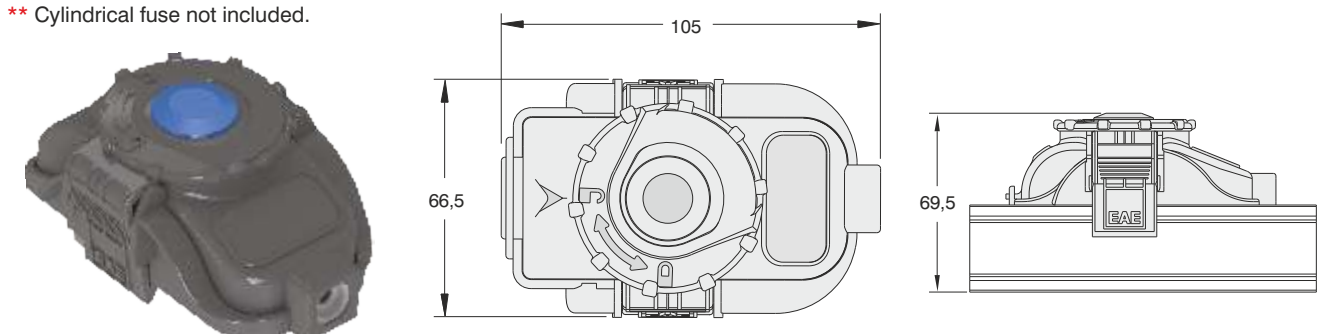


SL - ACK 16 - B Power
SL - ACK 16 - B Power+ACK

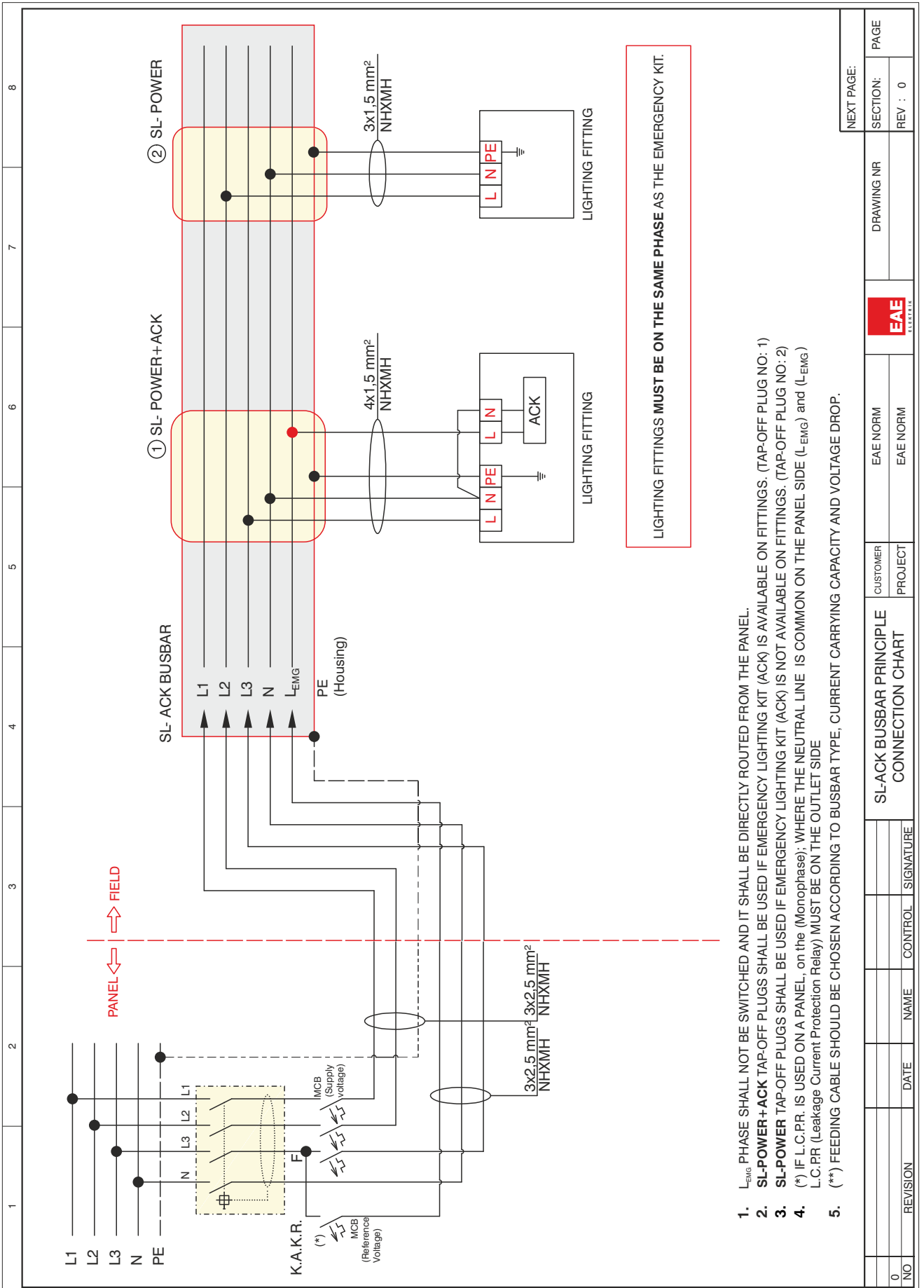
Plug with Fuse Holder (FS) / Plug with Clips (K)

Current (A)	Description	Cable Length / Type	Phase	Properties	Order Code	
16	SL-ACK 16 - FS Power Tap-off Plug L1	-	L1, N, PE	With Black Cover	With 5 x 20 mm fuse holders (**). Max. diameter of feeder cable is Ø 11 mm.	3108966
	SL-ACK 16 - FS Power Tap-off Plug L2	-	L2, N, PE	With Yellow Cover		3108967
	SL-ACK 16 - FS Power Tap-off Plug L3	-	L3, N, PE	With Blue Cover		3108968
16	SL-ACK 16 - K Power Tap-off Plug L1	-	L1, N, PE	With Black Cover	Without Fuses. Max. diameter of feeder cable is Ø 11 mm.	3108972
	SL-ACK 16 - K Power Tap-off Plug L2	-	L2, N, PE	With Yellow Cover		3108973
	SL-ACK 16 - K Power Tap-off Plug L3	-	L3, N, PE	With Blue Cover		3108974
16	SL-ACK 16 - FS Power+ACK Tap-off Plug L1	-	L1, N, L _{ACK} , PE	With Black Cover	With 5 x 20 mm fuse holders (**). Max. diameter of feeder cable is Ø 11 mm.	3108969
	SL-ACK 16 - FS Power+ACK Tap-off Plug L2	-	L2, N, L _{ACK} , PE	With Yellow Cover		3108970
	SL-ACK 16 - FS Power+ACK Tap-off Plug L3	-	L3, N, L _{ACK} , PE	With Blue Cover		3108971
16	SL-ACK 16 - K Power+ACK Tap-off Plug L1	-	L1, N, L _{ACK} , PE	With Black Cover	Without Fuses. Max. diameter of feeder cable is Ø 11 mm.	3108976
	SL-ACK 16 - K Power+ACK Tap-off Plug L2	-	L2, N, L _{ACK} , PE	With Yellow Cover		3108977
	SL-ACK 16 - K Power+ACK Tap-off Plug L3	-	L3, N, L _{ACK} , PE	With Blue Cover		3108978

** Cylindrical fuse not included.



SL - ACK 16 - FS
SL - ACK 16 - K



1. L-EMG PHASE SHALL NOT BE SWITCHED AND IT SHALL BE DIRECTLY ROUTED FROM THE PANEL.
2. **SL-POWER+ACK** TAP-OFF PLUGS SHALL BE USED IF EMERGENCY LIGHTING KIT (ACK) IS AVAILABLE ON FITTINGS. (TAP-OFF PLUG NO: 1)
3. **SL-POWER** TAP-OFF PLUGS SHALL BE USED IF EMERGENCY LIGHTING KIT (ACK) IS NOT AVAILABLE ON FITTINGS. (TAP-OFF PLUG NO: 2)
4. (*) IF L.C.P.R. IS USED ON A PANEL, on the (Monophase); WHERE THE NEUTRAL LINE IS COMMON ON THE PANEL SIDE (L-EMG) and (L-EMG) L.C.P.R. (Leakage Current Protection Relay) MUST BE ON THE OUTLET SIDE
5. (***) FEEDING CABLE SHOULD BE CHOSEN ACCORDING TO BUSBAR TYPE, CURRENT CARRYING CAPACITY AND VOLTAGE DROP.

NO		REVISION	DATE	NAME	CONTROL	SIGNATURE	SL-ACK BUSBAR PRINCIPLE CONNECTION CHART		EAE	EAE NORM	EAE NORM	DRAWING NR	SECTION:	PAGE
0													REV : 0	0

NEXT PAGE:

ELINESL-DALI+ACK

►► General Characteristics

E-Line SL-DALI + ACK Busbar Systems are used in 25-40A energy consuming building electrical installation. Due to their 16A outlet plug features, especially the lighting fixtures with emergency lighting kit (ACK), DALI ballast lighting is designed to supply lighting circuits within lighting automation of luminaires.

EAE Busbar Systems are produced in accordance with ISO 9001 standards with a certified Quality Assurance System using the world's latest manufacturing technologies. Units are designed and tested according to IEC 61439-6.

Tap-off Plugs

Tap-off plugs of SL-DALI+ACK busbar systems are designed with different contact arrangements. All the plugs are produced in one direction to prevent the use of a wrong phase.

Safety

Earth contacts of the tap-off plugs make first when plugging-in, and the contact breaks last when unplugging.



DALI



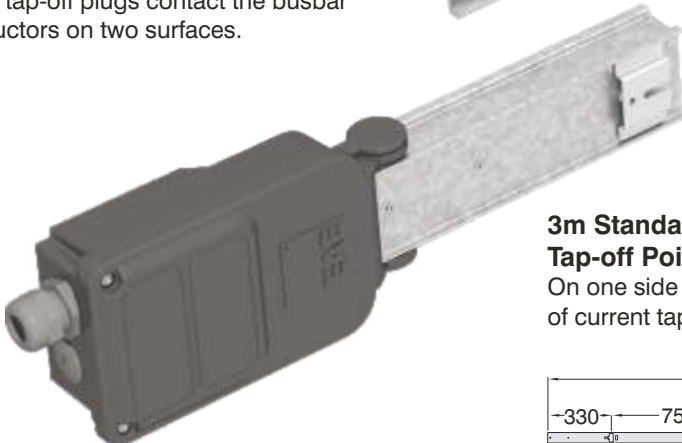
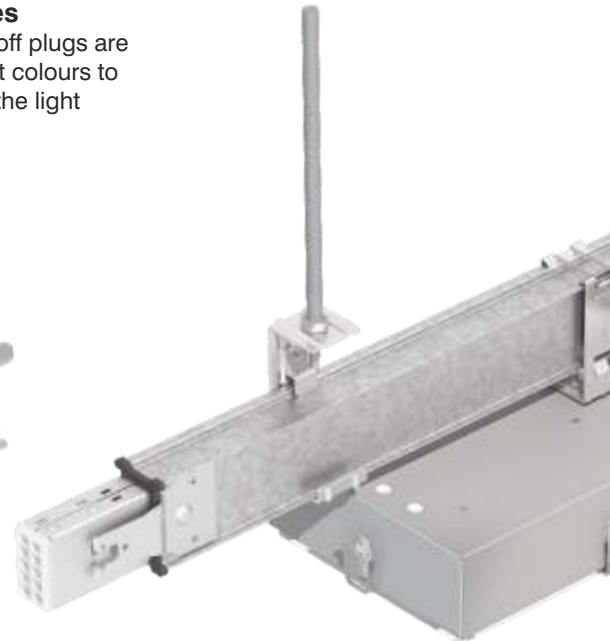
Colour Coded Covers Indicate The Phases

The covers of the tap-off plugs are designed with different colours to indicate which phase the light fittings are fed from.



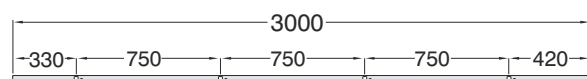
Tin Coated Conductors and Contact Structure

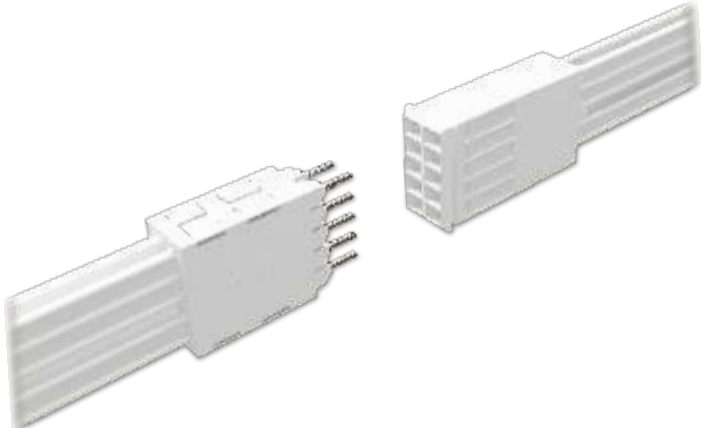
Formation of Copper Oxide is prevented by tin plating the conductors along their full length. This ensures that contact resistances are minimised. The contacts of the tap-off plugs contact the busbar conductors on two surfaces.



3m Standard Length 4 Current Tap-off Points

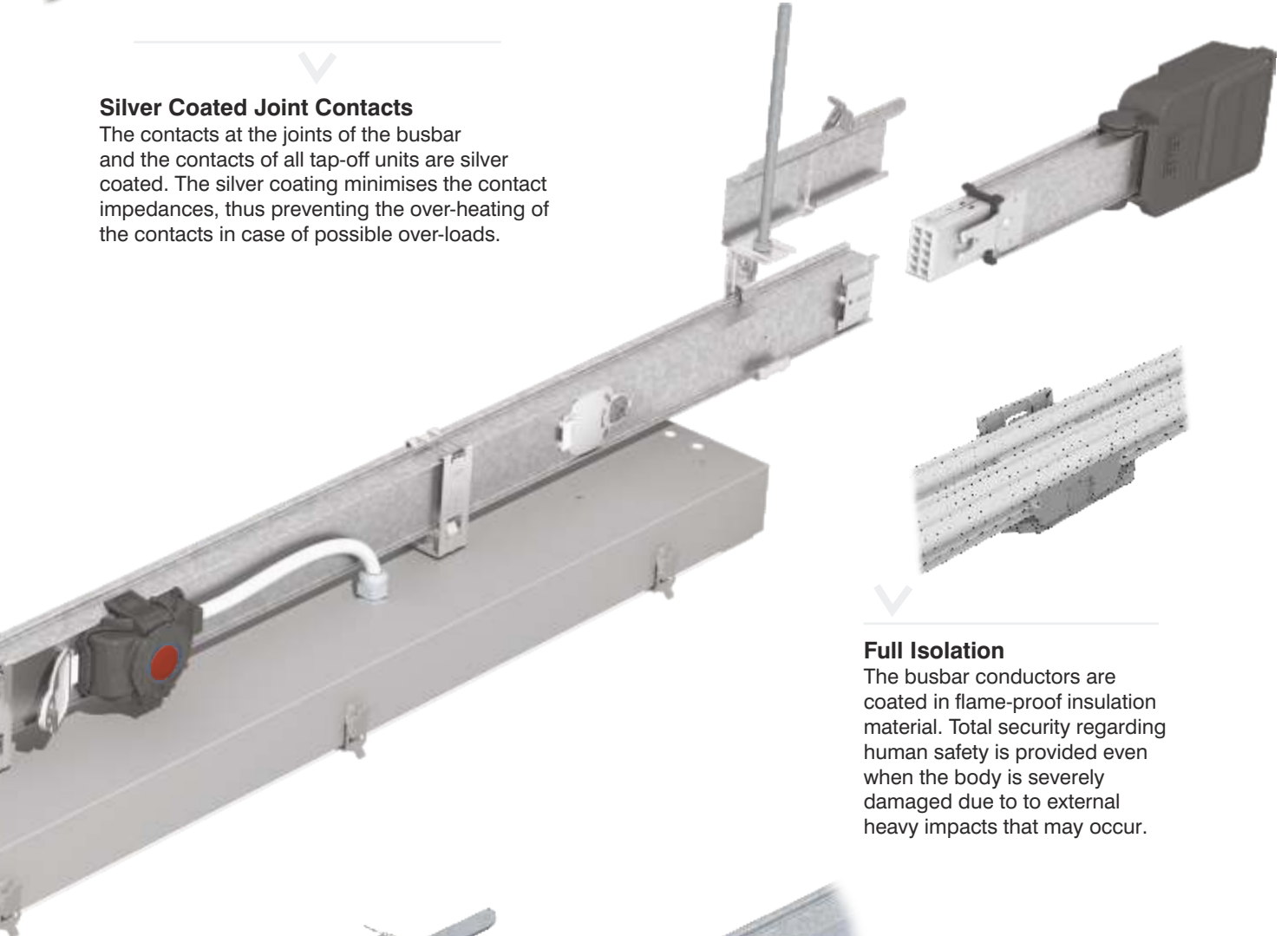
On one side of the busbar there is a total of 4 points of current tap-off points and is offered as standard.





Silver Coated Joint Contacts

The contacts at the joints of the busbar and the contacts of all tap-off units are silver coated. The silver coating minimises the contact impedances, thus preventing the over-heating of the contacts in case of possible over-loads.



Full Isolation

The busbar conductors are coated in flame-proof insulation material. Total security regarding human safety is provided even when the body is severely damaged due to external heavy impacts that may occur.

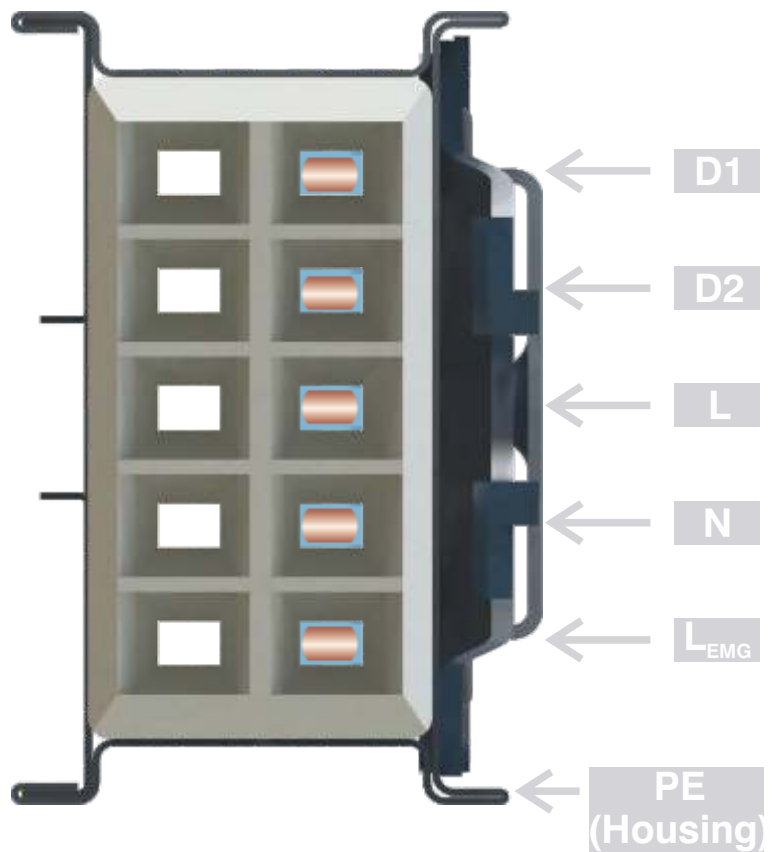
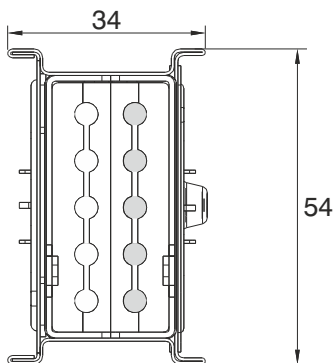
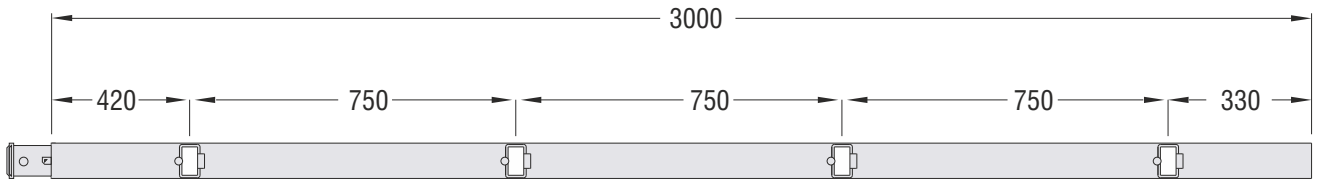


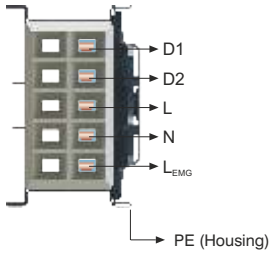
Fast, Easy and Secure Assembly

Achieved with single action by driving the mechanical and electrical joint silver coated springed contacts towards each other. The joint is secured by tightening one screw. It is not necessary to install the joint cover to secure the joint.

ELINESL-DALI+ACK

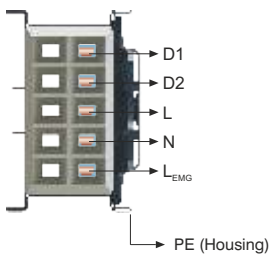
►► Product Selection Tables / Busbars





Standard Busbars (3m)

Current (A)	Description	Conductor Conf.(*)	Order Code
25	SL 25 - DALI+ACK - STD Busbar	5	3108918
32	SL 35 - DALI+ACK - STD Busbar	5	3108930
40	SL 45 - DALI+ACK - STD Busbar	5	3108942

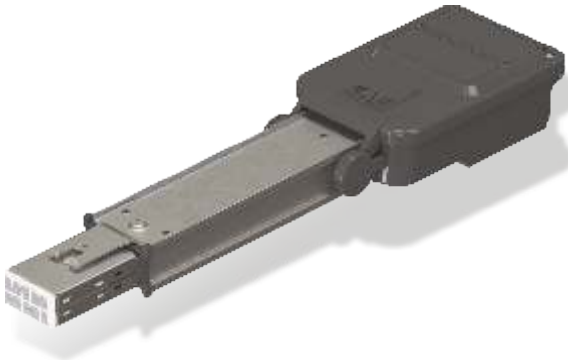


Special Length Busbars (Special Length Busbars are manufactured as 1m/1,5m/2m/2,5m.)

Current (A)	Description	Conductor Conf.(*)	Order Code
25	SL 25 - DALI+ACK - X Special Length	5	3108919
32	SL 35 - DALI+ACK - X Special Length	5	3108931
40	SL 45 - DALI+ACK - X Special Length	5	3108943

ATTENTION :

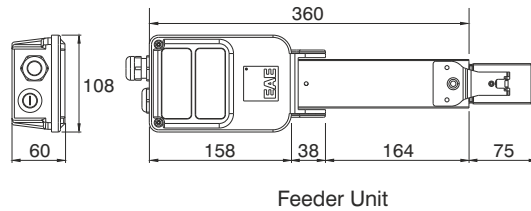
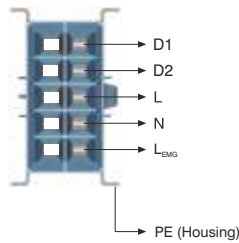
(*) SL-DALI + ACK Busbar is single phase, and the reference voltage of the power supply, remote control and emergency kit unit (ACK) of the luminaries is provided by a single plug.



(B1) Feeder Units

Current (A)	Description	Busbars	Order Code
25	SL 25 - DALI + ACK B1 Feeder Unit	SL-DALI+ACK 25	3108923
32	SL 35 - DALI + ACK B1 Feeder Unit	SL-DALI+ACK 35	3108935
40	SL 45 - DALI + ACK B1 Feeder Unit	SL-DALI+ACK 45	3108947

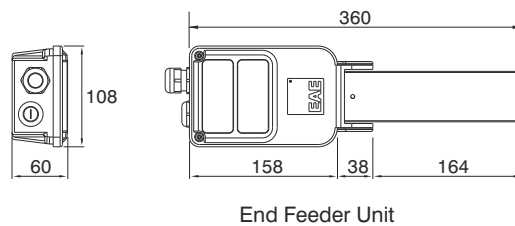
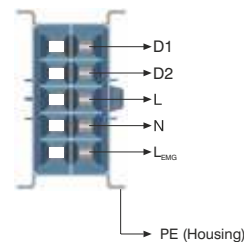
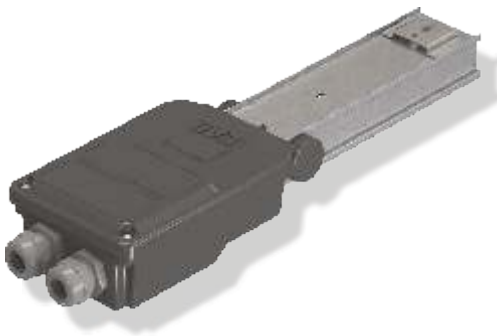
* With M25 Gland as standard.



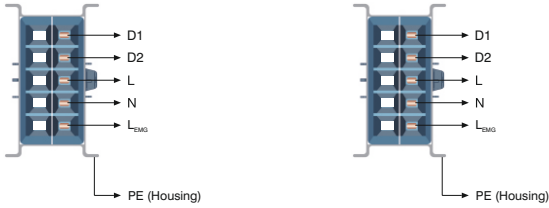
(B2) End Feeder Units

Current (A)	Description	Busbars	Order Code
25	SL 25 - DALI + ACK B2 End Feeder Unit	SL-DALI+ACK 25	3108924
32	SL 35 - DALI + ACK B2 End Feeder Unit	SL-DALI+ACK 35	3108936
40	SL 45 - DALI + ACK B2 End Feeder Unit	SL-DALI+ACK 45	3108948

* With M25 Gland as standard.



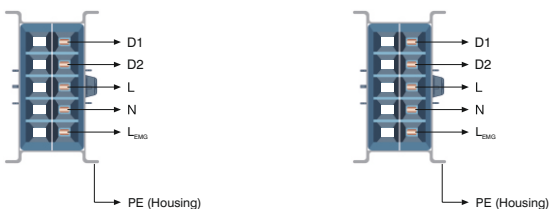
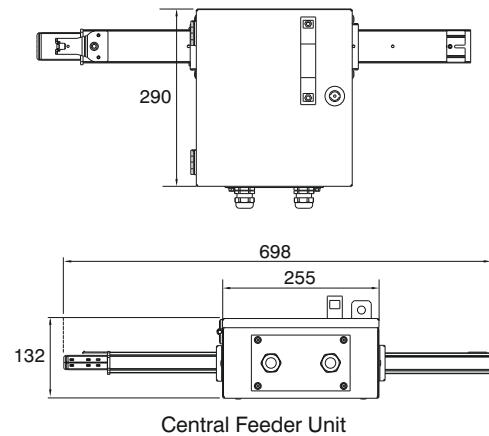
■ The body is manufactured from 0,50 mm galvanised sheet steel.
 ■ For non-standard product, please contact our technical office.



(BO) Central Feeder Units

Current (A)	Description	Busbars	Order Code
25	SL 25 - DALI +ACK BO Central Feeder Unit	SL-DALI+ACK 25	3133171
32	SL 35 - DALI +ACK BO Central Feeder Unit	SL-DALI+ACK 35	3133173
40	SL 45 - DALI +ACK BO Central Feeder Unit	SL-DALI+ACK 45	3133175

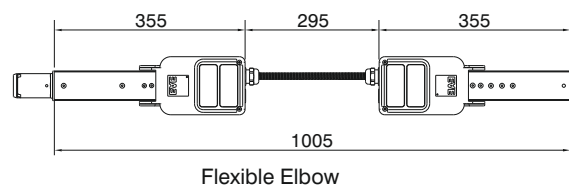
* With M25 Gland as standard.



(FD) Flexible Elbow

Akim (A)	Description	Busbars	Order Code
25	SL 25 - DALI +ACK FD Flexible Elbow	SL-DALI+ACK 25	3108927
32	SL 35 - DALI +ACK FD Flexible Elbow	SL-DALI+ACK 35	3108939
40	SL 45 - DALI +ACK FD Flexible Elbow	SL-DALI+ACK 45	3108951

* With M25 Gland as standard.

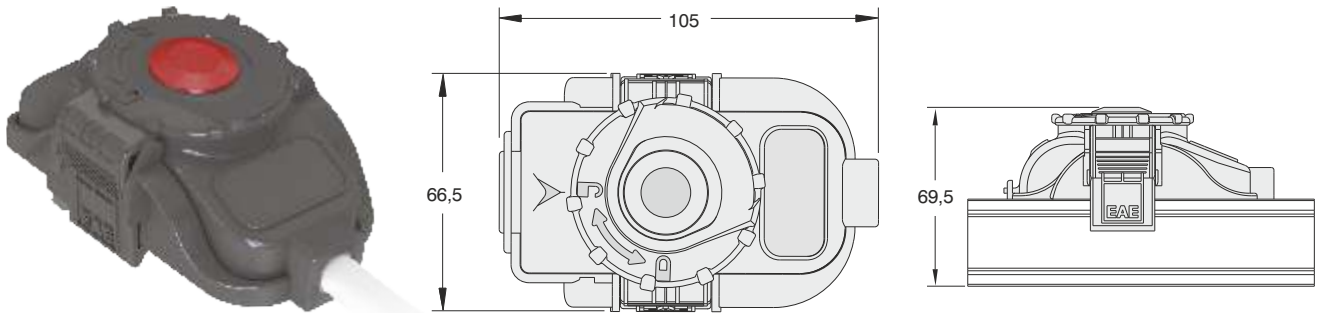


- Body is manufactured from 0.50 mm galvanised sheet steel.
- For non-standard product, please contact our technical office.

Tap-off Plug (B)

Current (A)	Description	Cable Length / Type		Phase	Properties	Order Code	
		Halogen Free	Standard (PVC)			Halogen Free	Standard (PVC)
16	SL-DALI+ACK 16 - B Tap-off Plug D1,D2,L,N,L _{EMG}	0,75 m. 052XZ1-F 6x1,5 mm ² Cable(*)	0,75 m. NYMHY 6x1,5 mm ² Cable(*)	D1, D2, L, N, L _{EMG} , PE	With Red Cover	3108982	3108983
	SL-DALI 16 - B Tap-off Plug D1,D2,L,N	5x1,5 mm ²	5x1,5 mm ²			D1, D2, L, N, PE	3108984

* Plugs with different length cable available upon request.

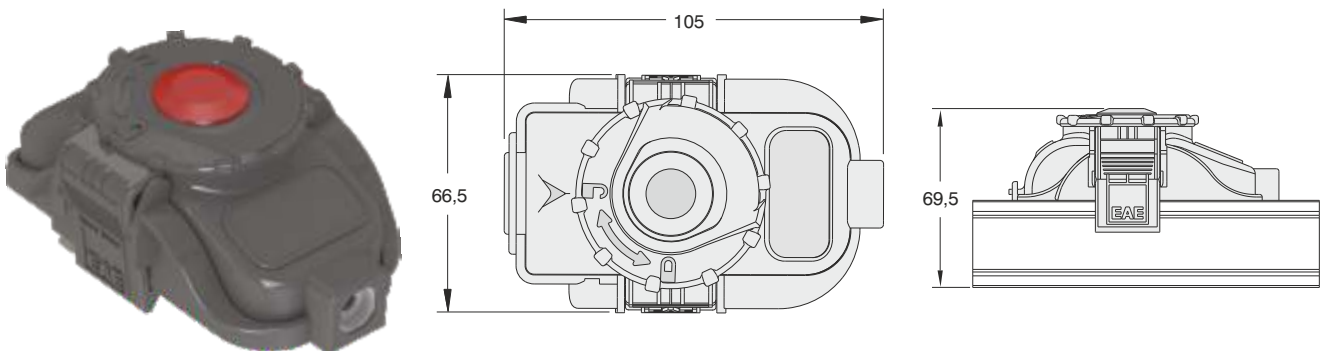


SL - DALI + ACK 16 - B
SL - DALI 16 - B

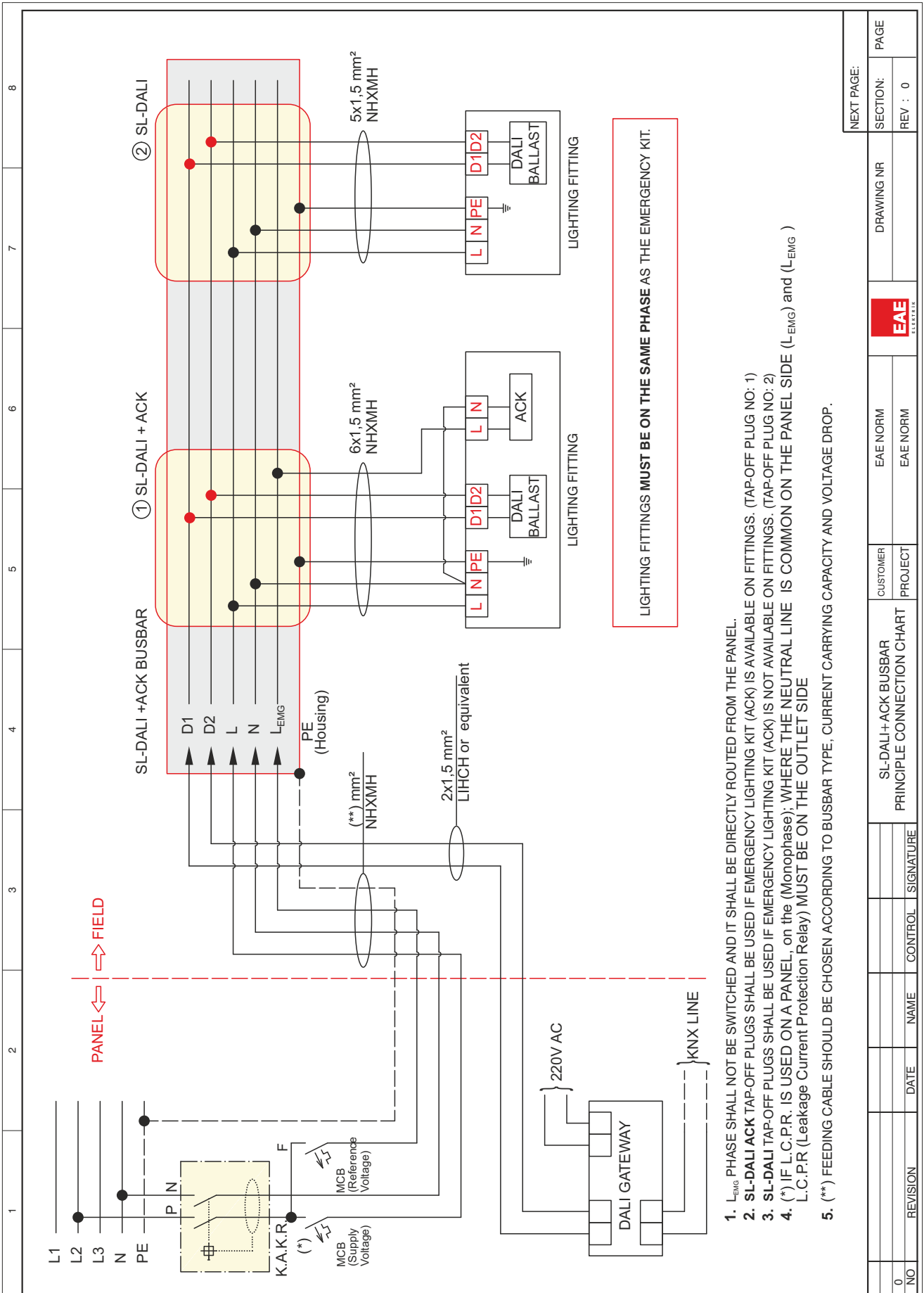
Plug with Fuse Holder (FS) / Plug with Clips (K)

Current (A)	Description	Cable Length / Type	Phase	Properties	Order Code
16	SL 16 - FS DALI+ACK Tap-off Plug D1,D2,L,N,L _{EMG}	-	D1, D2, L, N, L _{ACK} , PE	With Red Cover	With 5 x 20 mm fuse holders (**) Max. diameter of feeder cable is Ø 11 mm.
	SL 16 - FS DALI Tap-off Plug D1,D2,L,N	-	D1, D2, L, N, PE		
16	SL 16 - K DALI+ACK Tap-off Plug D1,D2,L,N,L _{EMG}	-	D1, D2, L, N, L _{ACK} , PE	With Red Cover	Without Fuses. Max. diameter of feeder cable is Ø 11 mm.
	SL 16 - K DALI Tap-off Plug D1,D2,L,N	-	D1, D2, L, N, PE		

** Cylindrical fuse not included.



SL - DALI + ACK 16 - FS
SL - DALI + ACK 16 - K
SL - DALI 16 - FS
SL - DALI 16 - K

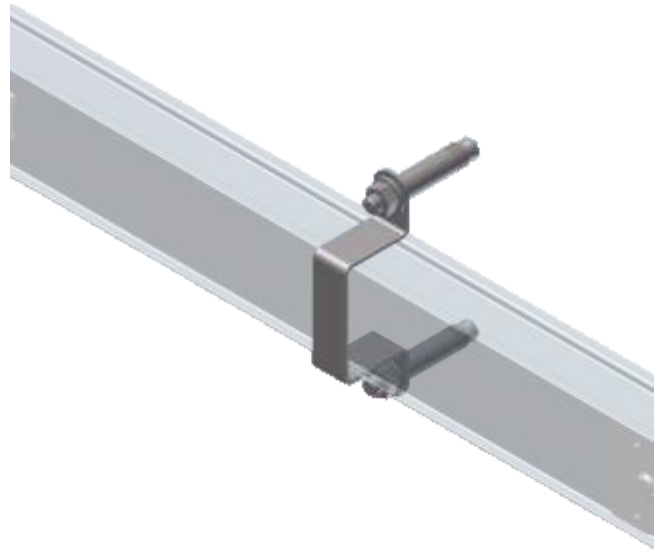
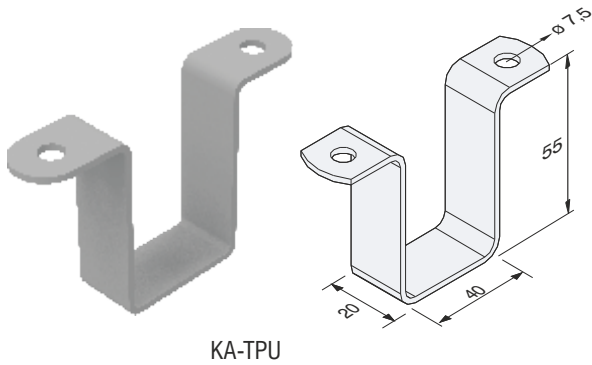


NEXT PAGE:		DRAWING NR		EAE		EAE NORM		CUSTOMER		SL-DALI+ACK BUSBAR		PAGE	
SECTION:	REV :			ELEKTRİK		EAE NORM		PROJECT		PRINCIPLE CONNECTION CHART			
	0												0
NO	REVISION	DATE	NAME	CONTROL	SIGNATURE								

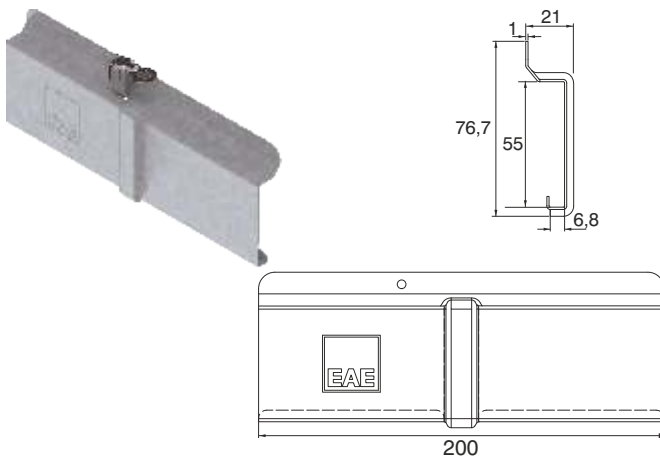
Component List	Item	Component	Quantity
Company : Project : Project No :			Prepared by Name : Date : Signature :
Please duplicate this page for your own use.			

NOTE: All specified accessories; SL, SL-ACK, SL-DALI+ACK is valid for all busbar models.

Description	Order Code
KA - TPU Fitting U - Unpainted	3025158
KA - TPU Fitting U - Painted	3025159

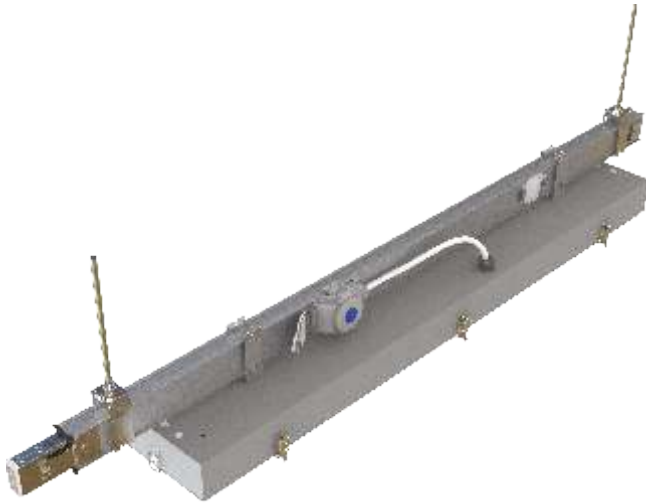


Description	Order Code
DL / SL Joint Cover-Unpainted	1015520
DL / SL Joint Cover-Painted	2054580

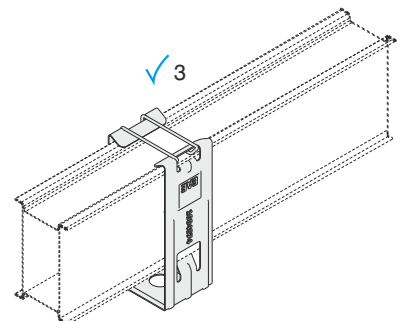
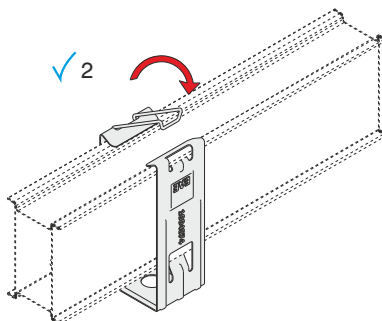
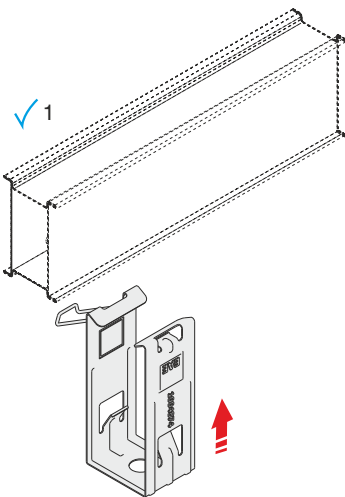
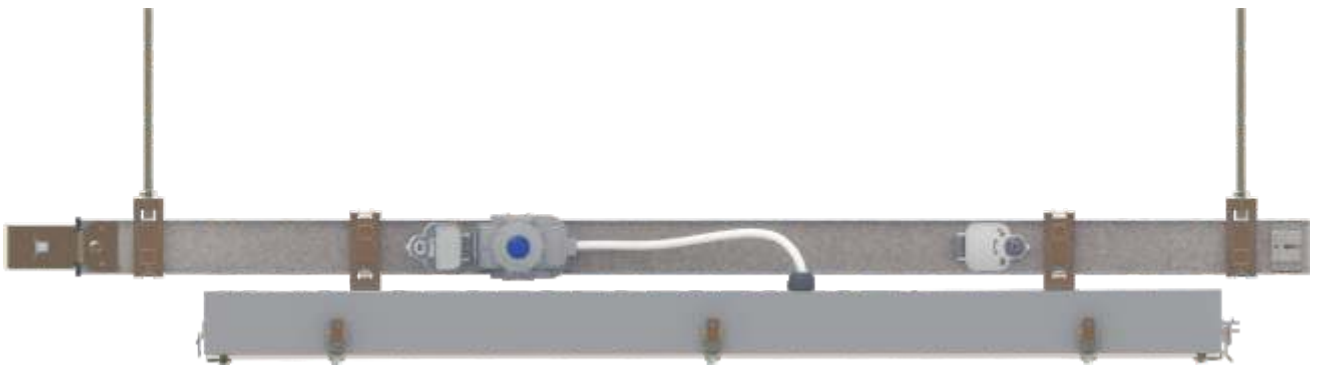
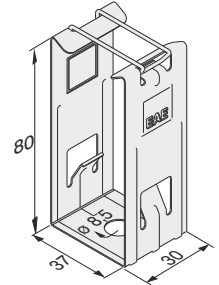


ATTENTION:

The joint cover must be attached to the screwless side of the busbar.

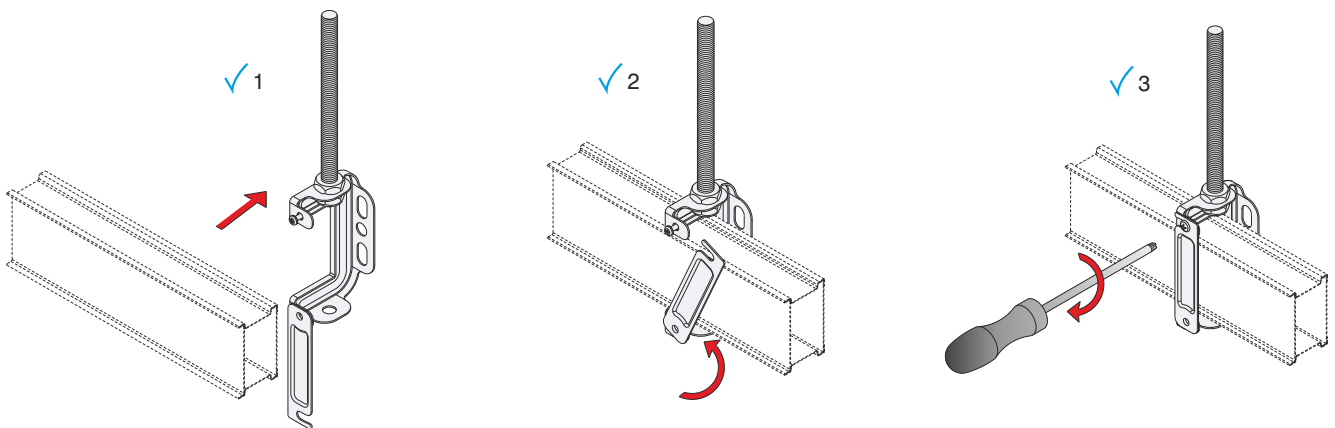
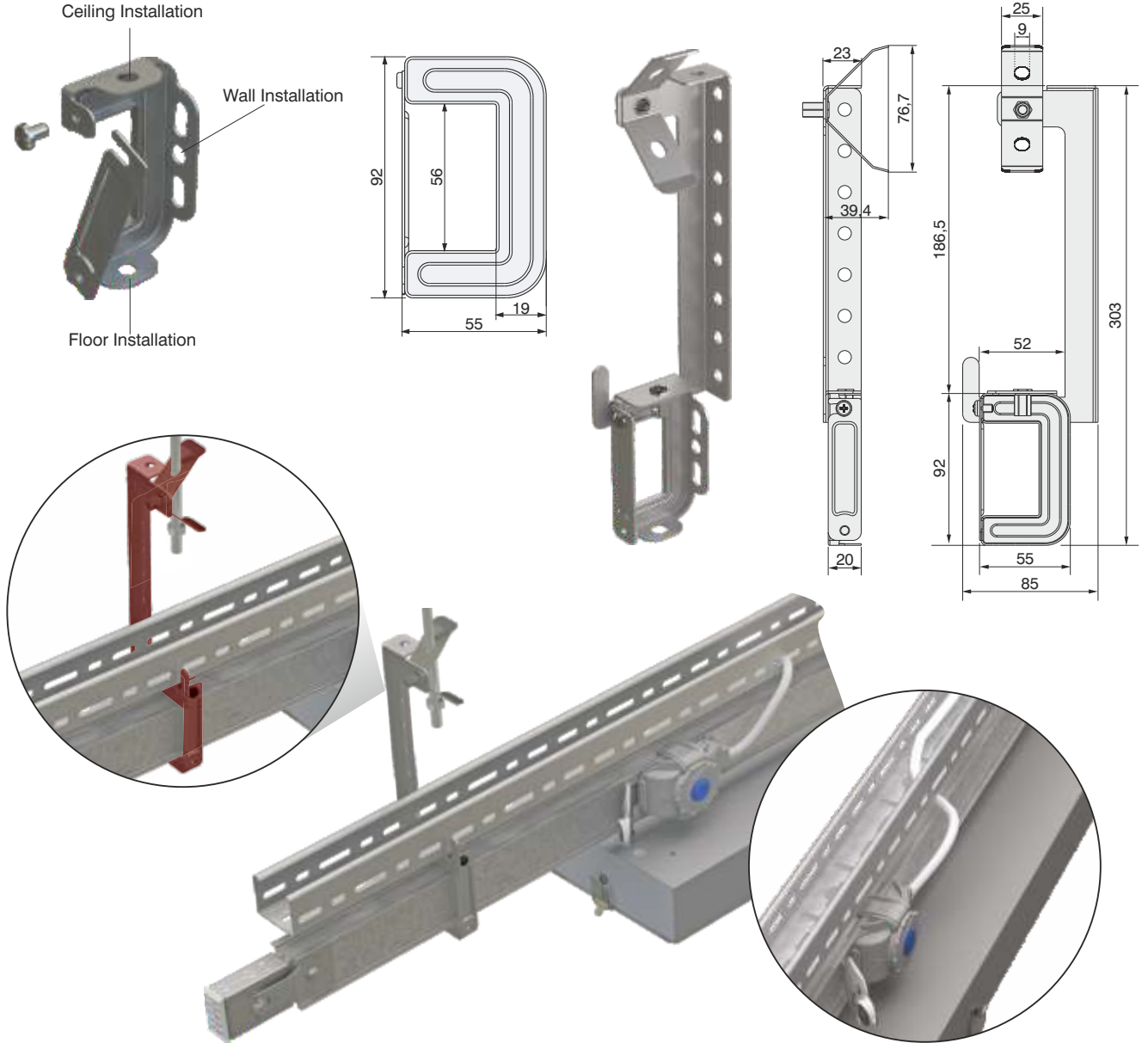


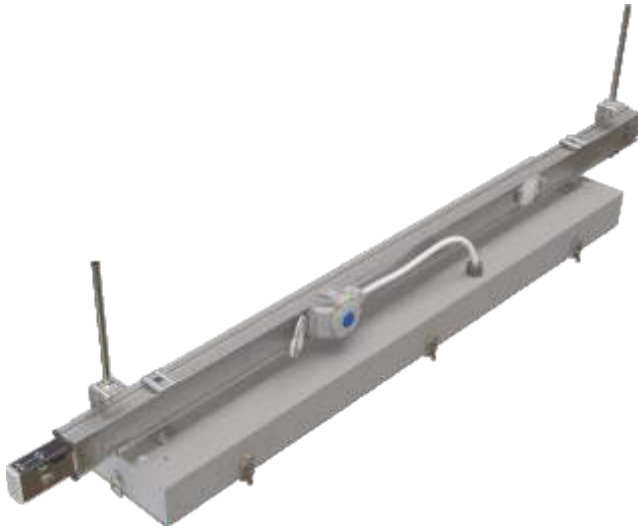
Description	Order Code
U-Bracket - Unpainted	1004874
U-Bracket - Painted	2037294



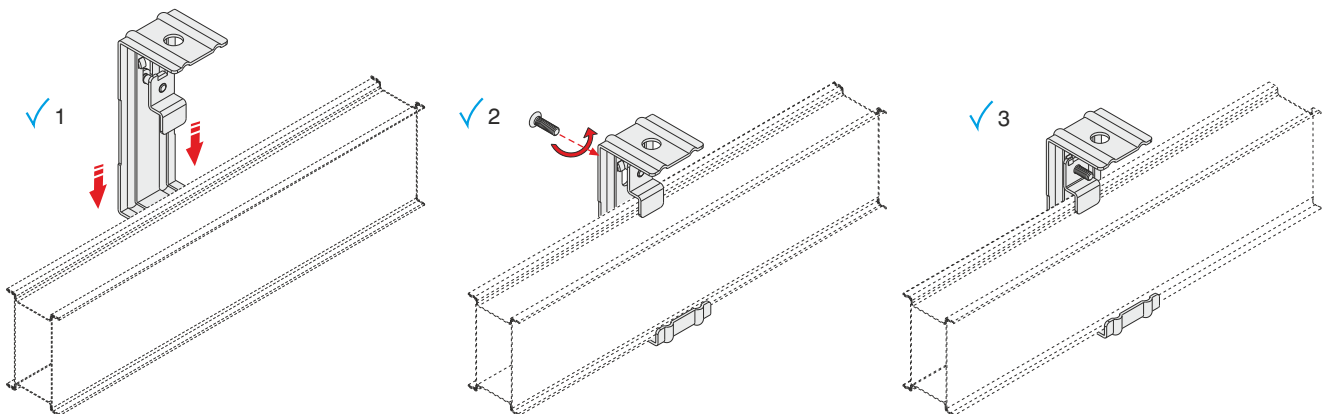
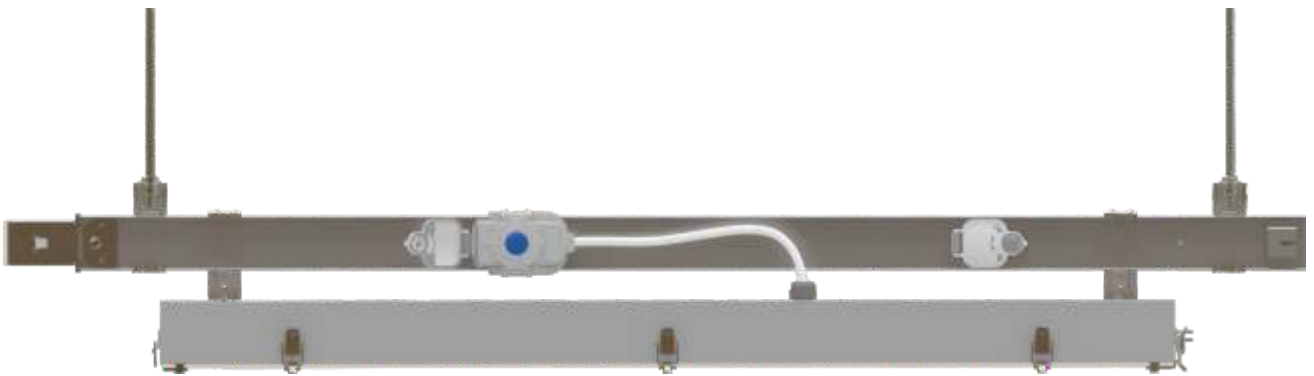
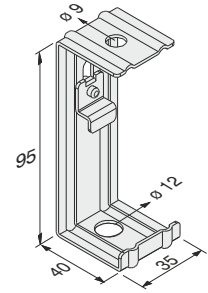
Description	Order Code
Universal Fitting Bracket - Unpainted	1004189
Universal Fitting Bracket - Painted	2033519

Description	Order Code
DL/SL Multifunctional Bracket - Unpainted	3122646
DL/SL Multifunctional Bracket - Painted	3122647

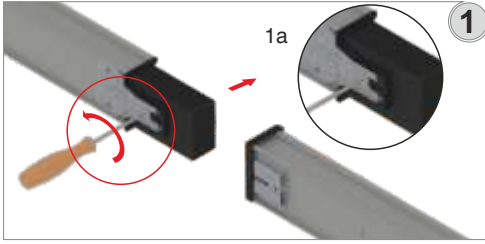




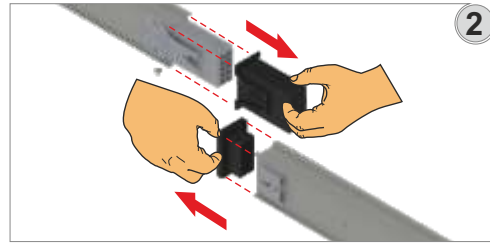
Description	Order Code
L-Bracket - Unpainted	1004283
L-Bracket - Painted	2037295



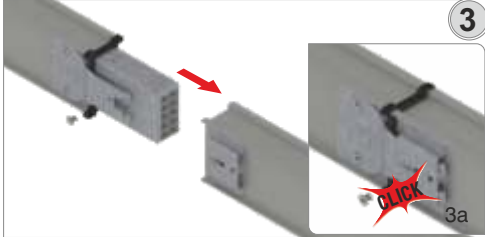
► SL Busbar Joint Installation



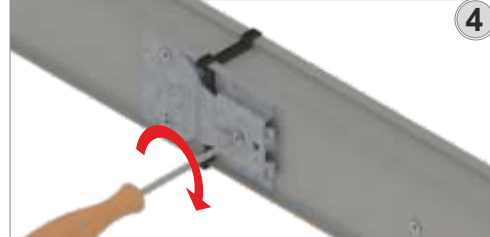
Detach the protective plastic from both ends of the busbar. (1a)



Remove the plastic protective covers from the system as shown in the figure.



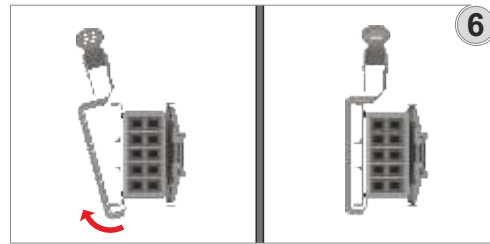
Connect the male side of the busbar with the female side of the other busbar. Make sure that you hear the locking sound for correct connection. (3a)



Tightening the joint screw.

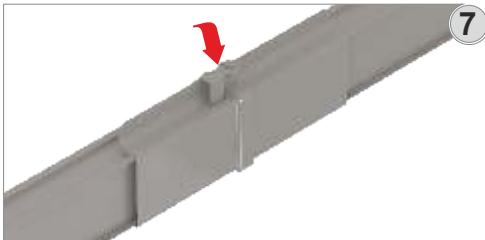


Install the joint cover to the screwless side.



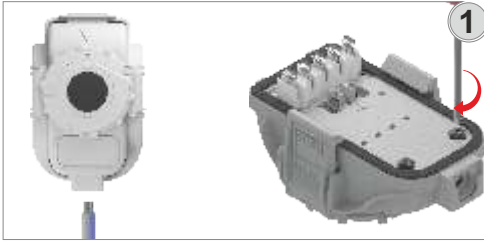
Make sure that the joint cover structure fully grips the busbars.

(Caution: The joint cover must be attached to the screwless side of the busbar.)

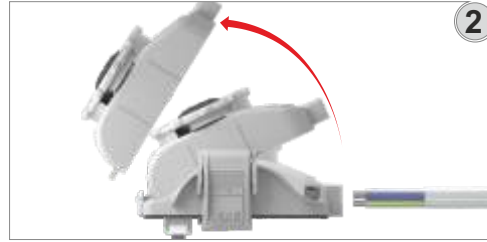


By closing the snap-in latch, you may complete the snap-in connection.

▶ Tap-off Plugs with clips/Cylindrical Fuse Installation



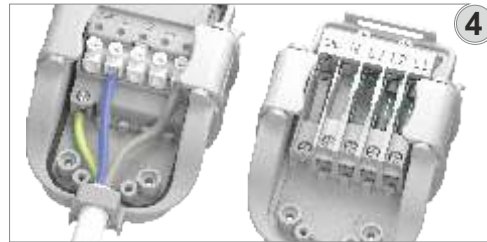
Use 052XZ1-F type cable, (3x1,5mm² for single phase, 5x1,5mm² for three phase) as required. Turn over the plug and remove the two screws.



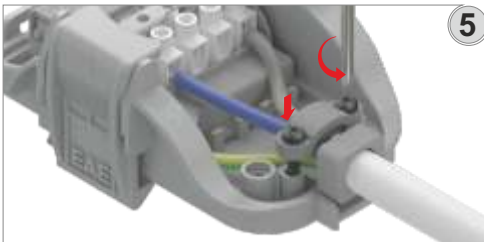
Remove the cover by pressing the lug with EAE logo as shown in figure.



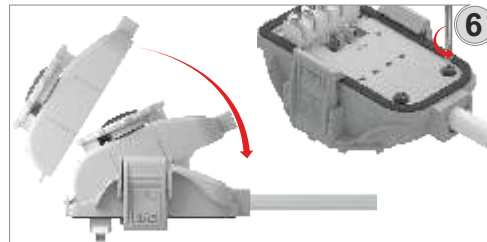
Remove the plastic cable grip. Pass the cable through the gland which maintains the IP rating.



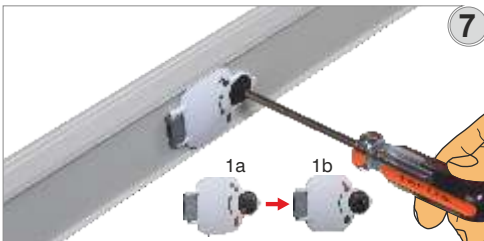
Connect the yellow green cable to the earth terminal, blue cable to "N" terminal and phase cables to related terminals of plug.



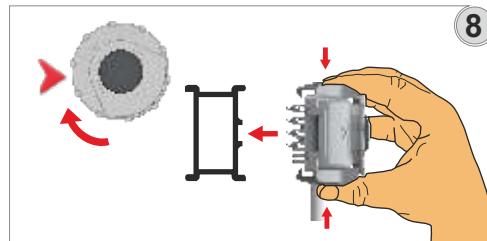
Refit the plastic cable grip.



Replace the cover and turn over the plug and tighten the screws.



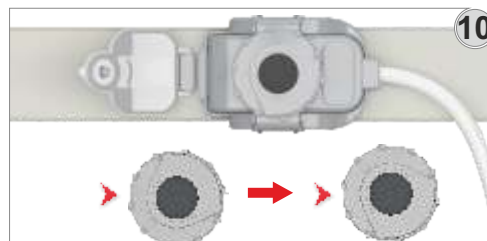
Put the plug in cover into open (1b) position.



Put the lock mechanism of plug into open (1b) position.

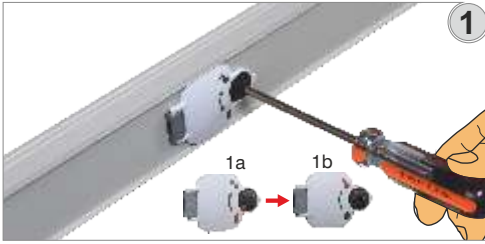


Direction of contacts should be as shown figure.

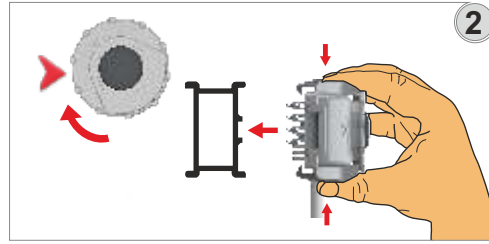


After connecting plug to busbar, put the lock mechanism of plug into close (1a) position.

▶ Tap-off Plug Fixing



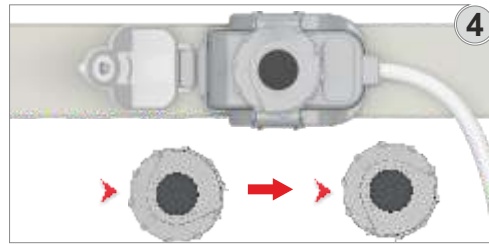
Turn the locking button on the busbar to OPEN (🔓) position.



Put the lock mechanism of plug into open (▶🔓) position.



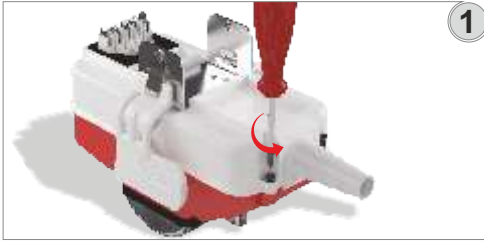
Direction of contacts should be as shown figure.



After fixing the plug to the busbar properly, turn the locking knob to LOCK (▶🔒) position.

▶▶ Tap-off Box Installation

▶ Mounting Tap-off Box with Miniature Circuit Breaker (MCB)



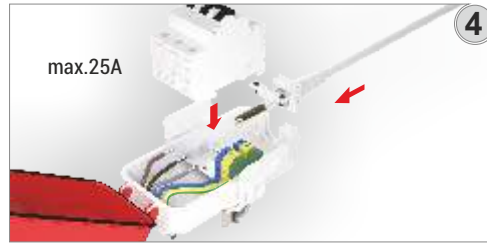
Use 052XZ1-F type cable, (3x2,5mm² for single phase, 5x2,5mm² for three phase) as required. Turn over the tap-off box and remove the two screws.



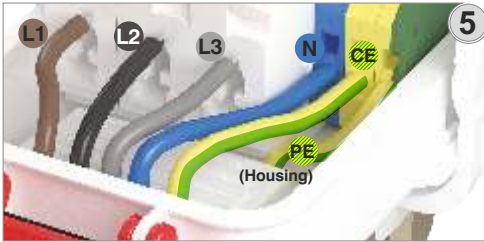
Open the cover of tap-off box.



Remove the plastic cable grip. Pass the cable through the gland which maintains the IP rating.



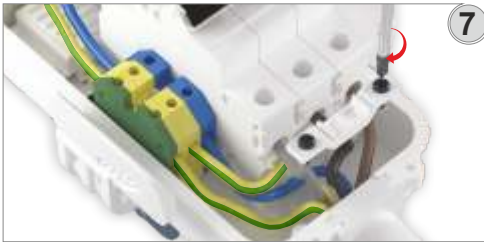
Install the MCB with a maximum of 25A to the DIN rail. (MCB should be "OFF" position.)



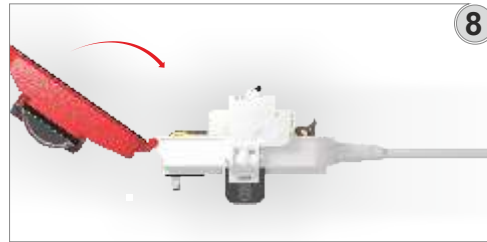
Connect the wiring at fuse entry terminal according to the colour combination as shown in the image. Make sure that the screws are tight.



Install the feeder cable at the fuse outlet terminal in the same way. Make sure that the screws are tight.



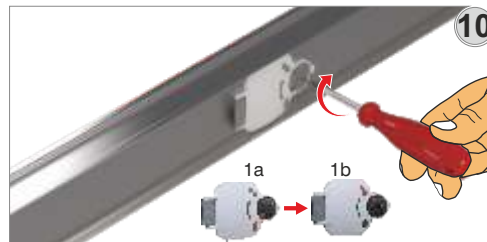
Refit the plastic cable grip.



Close the cover of tap-off box.



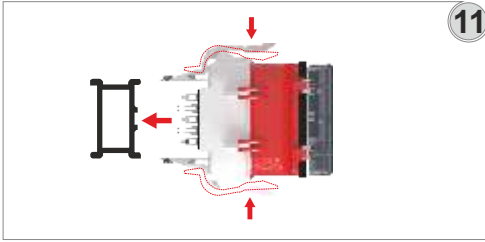
Turn over the tap-off box and tighten the screws. Make sure that the screws are tight.



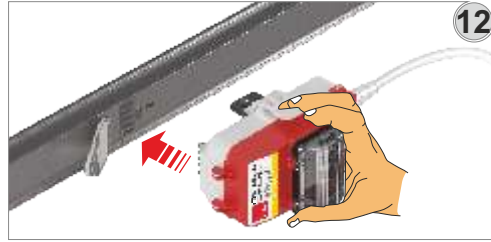
Put the plug in cover into open (☐) position.

▶▶ Tap-off Box Installation

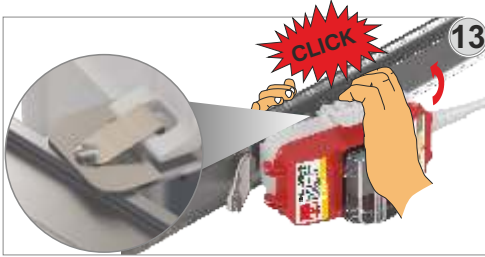
▶ Mounting Tap-off Box with Miniature Circuit Breaker (MCB)



Align tap-off box with busbar plug-in while squeezing the ears on the sides of tap-off boxes.



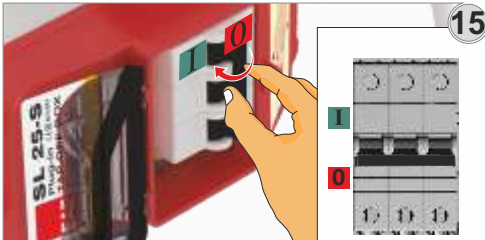
Direction at the tap-off box should be as shown in figure.



First, connect product earth terminal to busbar plug-in point. Then make sure that other terminals connect to busbar. Finally you should hear "CLICK" sound when you press tap-off box towards busbar.



Open the transparent cover of the tap-off box by untightening the screw.



Put " Miniature Circuit Breaker (MCB) "ON" position.



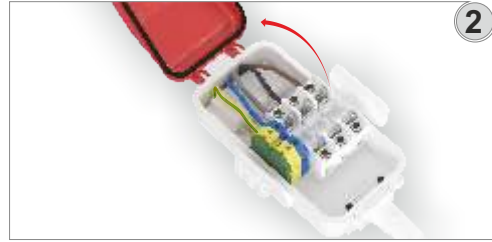
Close the transparent cover of the tap-off box by screwing.

▶▶ Tap-off Box Installation

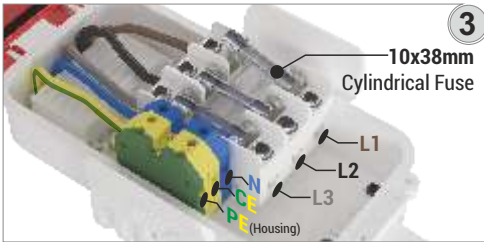
▶ Mounting Tap-off Box with Cylindrical Fuse



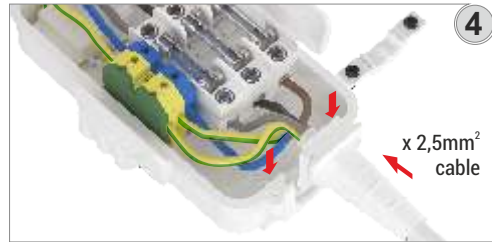
Use 052XZ1-F type cable, (3x2,5mm² for single phase, 5x2,5mm² for three phase) as required. Turn over the tap-off box and remove the two screws.



Open the cover of tap-off box.



Install 10x38mm cylindrical fuse with maximum of 16A to fuse holder.



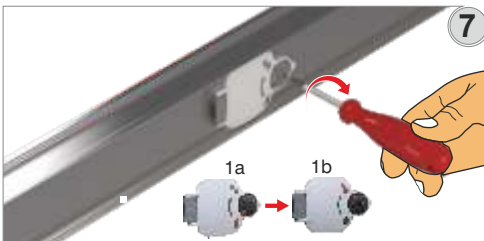
Connect feeder cables as shown above.



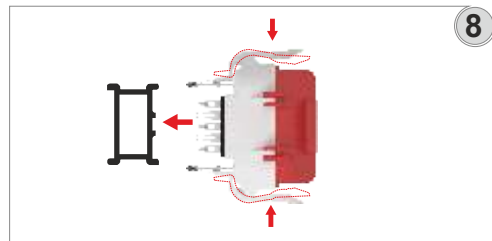
Fit the plastic component that organizes the cables and holds them together.



After closing the tap-off box cover, turn the tap-off box upside down and tighten the screws.



Put the plug-in cover to (1b) position.



Align tap-off box with busbar plug-in while squeezing the ears on the sides of tap-off boxes.



Direction at the tap-off box should be as shown in figure.



First, connect product earth terminal to busbar plug-in point. Then make sure that other terminals connect to busbar. Finally you should hear "CLICK" sound when you press tap-off box towards busbar.



Make sure that tap-off box is locked.

SL / SL-ACK / SL-DALI+ACK

Rated Current	I_n	A	25	32	40
Busbar Code			24	35	45
Main Standards	IEC 61439-1/6, TS EN 61439-1/6				
Rated Isolation Voltage	U_i	V	690	690	690
Rated Frequency	f	Hz	50	50	50
Protection Degree	IP55				
External Mechanical Impacts (IK Code)*	IK07				
Rated Short-time Withstand Current (0,1s)	I_{cw}	kA _(ms)	2,5	3	4
Rated Peak Withstand Current	I_{pk}	kA	4	5	6,5
MEAN PHASE CONDUCTOR CHARACTERISTICS AT RATED CURRENT I_n					
Resistance at a conductor temperature of 20 °C	R_{20}	mW/m	7,643	4,525	3,021
Resistance at an ambient air temperature of 35 °C	R	mW/m	9,185	5,424	3,584
Reactance (Independent from Temperature)	X	mW/m	0,974	0,632	0,381
Positive and negative sequence impedances at an ambient air temperature of 35 °C	Z	mW/m	9,237	5,461	3,604
Positive and negative sequence impedances at a conductor temperature of 20 °C	Z_{20}	mW/m	7,705	4,569	3,045
Rated Power Loss at 35 °C		W/m	16,8	16,1	17,3
DC Resistance at a conductor temperature of 20 °C for Phases	R_{ortPh}	mW/m	7,116	4,456	3,030
DC Resistance at a conductor temperature of 20 °C for Neutral	R_N	mW/m	7,067	4,384	3,026
DC Resistance at a conductor temperature of 20 °C for PE	R_{PE}	mW/m	3,090	3,090	3,090
DC Resistance at a conductor temperature of 20 °C for CE	R_{CPE}	mW/m	7,118	4,400	3,032
SECTIONS					
L1,L2,L3,N		mm ²	2,54	3,98	6,16
CE (5 Conductors - Optional "PE" for DL-DALI)		mm ²	2,54	3,98	6,16
PE (Sheet Steel)		mm ²	105	105	105
PE (Cu Equivalent-Sheet Steel)		mm ²	5,8	5,8	5,8
Busbar Weight (4 Conductors)		kg/m	0,948	1,005	1,070
Busbar Weight (5 Conductors)		kg/m	0,986	1,040	1,134

25-32-40A PLUG-IN BUSBAR SYSTEMS PRODUCT SPECIFICATION (E-Line SL)

- 1- The busbar systems shall be type tested and certified according to IEC 61439-6 by international laboratories. They shall be manufactured in an ISO 9001 and ISO 14001 certified facility.
- 2- The rated insulation voltage of the system shall be 690V.
- 3- The busbar system shall have current ratings between 25A-32A-40A, Conductors shall be electrolytic copper and continuously tin plated along their entire length.
- 4- The conductors in the housing shall be insulated along their whole length and only stripped at the plug-in points to create the contact area.
- 5- The busbar shall have a total of 4 tap-off points on single side only on a standard 3m length. The system should have the possibility to increase the number of tap-off points at the time of ordering. The tap-off points shall have protective covers to maintain the IP55 rating.
- 6- The SL Busbar System has five independent conductors and is produced with outlets on one side only. The number of conductors and the phase structure alternatives are as follows.
 - a) 2 Conductors; L3 / N / PE (Housing)
 - b) 3 Conductors; L3 / N / CE + PE (Housing)
 - c) 4 Conductors; L1 / L2 / L3 / N / PE (Housing)
 - d) 5 Conductors; L1 / L2 / L3 / N / CE + PE (Housing)
 - Phase and Neutral conductor sections ;
 - for 25A ; **2,54** mm²
 - for 32A ; **3,98** mm²
 - for 40A ; It is produced as **6,16** mm².
 - PE (Housing); The body is used as an earth conductor and the equivalent copper cross-sectional area is 5,8 mm².
 - CE (Clean Earth); Clean Earth is a separate and independent conductor, the cross-sectional area is equivalent to the phase conductors.

The conductors and numbers mentioned above are valid for single side, and the SL Busbar system can be produced in different structures for single side, depending on demand and supply.
- 7- There shall be insulator supports at the plug-in points.
- 8- The joint of the busbar shall be a push-fit joint. Joint contacts shall be silver plated. To ensure a secure joint contact there shall be springs on both sides of the joint. Also, the additional cover which prevents extension points from flexing and squeezing, can be easily mounted without screws and without the need for a hand tool.
- 9- SL Busbars are within the IP 55 protection and IK07 mechanical impact resistance class.
- 10- The housing of the busbar shall be manufactured from 0.50mm thick galvanised sheet steel with an option for a RAL 7038 electrostatic oven dried paint finish.
- 11- The contacts on the tap-off plugs shall be silver plated jawed construction which contact the conductors on both sides.
- 12- Standard brackets and fittings suitable for the housing of the busbar shall be those produced by the busbar manufacturer. The suspension brackets can also carry 50 mm cable ducts using additional components.

25-32-40A SL-ACK PLUG-IN BUSBAR SYSTEMS PRODUCT SPECIFICATION (E-Line SL-ACK)

- 1- SL-ACK busbar systems shall be type tested and certified according to IEC 61439-6 by international laboratories. They shall be manufactured in an ISO 9001 and ISO 14001 certified facility.
- 2- The rated insulation voltage of the system shall be 690V.
- 3- The busbar system shall have current ratings between 25A-32A-40A, Conductors shall be electrolytic copper and continuously tin plated along their entire length.
- 4- The conductors in the housing shall be insulated along their whole length and only stripped at the plug-in points to create the contact area.
- 5- The SL-ACK Busbar System is produced in a standard length of 3 m and has a total of 4 plug-in tap-off points on one side. The number of tap-off points can be increased upon special requests. Also, on the plug-in tap-off point there is a IP55 protection that has a sealed and hinged protective cover.
- 6- SL-ACK Busbar System; has 5 independent conductors and is produced with a single sided outlet. The number of conductors and the phase structure alternatives are as follows;
 - a) 3 Conductors; L3 / N / L_{EMG} / PE (Housing) - Single Phase Systems
 - b) 5 Conductors; L1 / L2 / L3 / N / L_{EMG} / PE (Housing) - Three Phase Systems
 - Phase and Neutral conductor sections ;
 - for 25A ; **2,54** mm²
 - for 32A ; **3,98** mm²
 - for 40A ; It is produced as **6,16** mm².
 - PE (Housing); The body is used as an earth conductor and the equivalent copper cross-sectional area is 5,8 mm².

The conductors and numbers mentioned above are suitable for single sided outlets, and for a single side of the SL-ACK Busbar system depending on need and demand can be produced in different structures .
- 7- The SL-ACK Busbar tap-off plugs are manufactured to be fitted only on one side of the busbar, and the use to prevent connection to the wrong phase. The covers of the tap-off plugs have coloured labels fitted to indicate which phase the luminaires are fed from.
- 8- The SL-ACK busbar tap-off points are plug contacts are addressed, and the SL and DL group busbar tap-off plugs have been disabled for this use .
- 9- There shall be insulated conductor supports at the plug-in points.
- 10- The joint of the SL-ACK Busbar shall be a push-fit joint. Joint contacts shall be silver plated. To ensure a secure joint contact there shall be springs on both sides of the joint. Also, the additional cover which prevents extension points from flexing and squeezing, can be easily mounted without screws and without the need for a hand tool.
- 11- SL-ACK Busbars are within the IP 55 protection and IK07 mechanical impact resistance class.
- 12- The housing of the SL-ACK Busbar shall be manufactured from 0.50mm thick galvanised sheet steel with an option for a RAL 7038 electrostatic oven dried paint finish.
- 13- The contacts on the tap-off plugs shall be silver plated jawed construction which contact the conductors on both sides.
- 14- Busbar system has a standard suspension system suitable and fixing elements and are manufactured by the manufacturer. By attaching additional small pieces to the suspension elements can also carry a 50 mm cable tray.

25-32-40A SL-DALI+ACK PLUG-IN BUSBAR SYSTEMS PRODUCT SPECIFICATION (E-Line SL-DALI+ACK)

- 1- SL-DALI+ACK busbar systems shall be type tested and certified according to IEC 61439-6 by international laboratories. They shall be manufactured in an ISO 9001 and ISO 14001 certified facility.
- 2- The rated insulation voltage of the system shall be 690V.
- 3- The busbar system shall have current ratings between 25A-32A-40A, Conductors shall be electrolytic copper and continuously tin plated along their entire length.
- 4- The conductors in the housing shall be insulated along their whole length and only stripped at the plug-in points to create the contact area.
- 5- The SL-DALI+ACK Busbar System is produced in a standard length of 3 m and has a total of 4 plug-in tap-off points on one side. The number of tap-off points can be increased upon special requests. Also, on the plug-in tap-off point there is a IP55 protection that has a sealed and hinged protective cover.
- 6- SL-DALI+ACK Busbar System; has 5 independent conductors and is produced with a single sided outlet. The number of conductors and the phase structure alternatives are as follows;
 - 5 Conductors; D1 / D2 / L / N / L_{EMG} / PE (Housing) - Single Phase System
 - Phase and Neutral conductor sections ;
 - for 25A ; **2,54** mm²
 - for 32A ; **3,98** mm²
 - for 40A ; It is produced as **6,16** mm².
 - PE (Housing); The body is used as an earth conductor and the equivalent copper cross-sectional area is 5,8 mm².

The conductors and numbers mentioned above are suitable for single sided outlets, and for a single side of the SL-DALI+ACK Busbar system depending on need and demand can be produced in different structures.
- 7- Within the SL-DALI + ACK Busbar system, the centralized control of the DALI ballasts used for lighting automation within a scenario allows the lighting fixture energy supplies to be "single phase" and at the same time the provision of the reference voltage of the emergency lighting kits (ACK) in the luminaires is possible with a single "tap-off plug".
- 8- SL-DALI + ACK Busbar tap-off points and plug contacts are addressed, and the SL and DL group busbar tap-off plugs are prevented from being used in this mode.
- 9- There shall be insulated conductor supports at the plug-in points.
- 10- SL-DALI + ACK Busbar tap-off plugs are manufactured to be installed only on one side of the busbars to prevent connection to the wrong phase. The covers of the tap-off plugs have coloured labels fitted to indicate which phase the luminaires are fed from.
- 11- The joint points of the SL-DALI + ACK Busbar System shall be a push-fit joint. Joint contacts shall be silver plated. To ensure a secure joint contact there shall be springs on both sides of the joint. Also, the additional cover which prevents extension points from flexing and squeezing, can be easily mounted without screws and without the need for a hand tool.
- 12- SL-DALI + ACK Busbars are within the IP 55 protection and IK07 mechanical impact resistance class.
- 13- The housing of the SL-DALI + ACK Busbar System shall be manufactured from 0.50mm thick galvanised sheet steel with an option for a RAL 7038 electrostatic oven dried paint finish.
- 14- The contacts on the tap-off plugs shall be silver plated jawed construction which contact the conductors on both sides.
- 15- Busbar system has a standard suspension system suitable and fixing elements and are manufactured by the manufacturer. By attaching additional small pieces to the suspension elements can also carry a 50 mm cable tray.

CE DECLARATION OF CONFORMITY

Product Group E-Line SL Busbar Systems

Manufacturer EAE Elektrik Asansor End. Insaat San. ve Tic. A.S.
Akçaburgaz Mahallesi, 3114. Sokak,
No:10 34522 Esenyurt-Istanbul

The objects of the declaration described below is in conformity with the relevant Union harmonisation legislation. This declaration of conformity is issued under the sole responsibility of the manufacturer.

Standard :

EN 61439-6

Low-voltage switchgear and controlgear assemblies - Part 6: Busbar trunking systems

CE - Directive

2014/35/EU "The Low Voltage Directive"

2014/30/EU "Electromagnetic Compatibility (EMC) Directive"

2011/65/EU "Restriction of the use of certain hazardous substances (RoHS)"

Technical Document Preparation Official:

EAE Elektrik Asansör End. İnşaat San. ve Tic. A.Ş.
Akçaburgaz Mahallesi, 3114. Sokak, No:10 34522 Esenyurt-Istanbul

Emre GÜRLEYEN

Date

20.04.2022

Document Authorized Signatory

Elif Gamze KAYA OK
Deputy General Manager





TEST CERTIFICATE

Issued to:	EAE Elektrik Asansör End. Insaat San. ve Tic. A.S. Akçaburgaz Mahallesi 119, Sokak No: 10 34510 Esenyurt / Istanbul Turkey
For the product:	Low-voltage busbar trunking system
Trade name:	EAE
Type/Model:	DL 02
Ratings:	I_{nc} 25 A at 50 Hz, U_i 690 V, U_{imp} 6 kV, I_{cw} 2,5 kA - 0,1 s For more details see annex
Manufactured by:	EAE Elektrik Asansör End. Insaat San. ve Tic. A.S. Akçaburgaz Mahallesi 119, Sokak No: 10 34510 Esenyurt / Istanbul Turkey
Subject:	Design verification
Requirements:	IEC 61439-6: 2012 Clauses: 10.2, 10.3, 10.4, 10.5, 10.9, 10.10, 10.11, 10.101 and Annex BB, CC, and DD
Remarks:	Busbar trunking system consists of feeder box, joint and straight lengths

This Test Certificate is granted on account of an examination by DEKRA, the results of which are laid down in report no. 2172392.01-INC, dated 4 May 2015.

The examination has been carried out on one single specimen of the product, submitted by the manufacturer. The Attestation does not include an assessment of the manufacturer's production. Conformity of his production with the specimen tested by DEKRA is not the responsibility of DEKRA.

Arnhem, 4 May 2015

Number: 2172392.100

DEKRA Certification B.V.



F.S. Strikwerda
Certification Manager

© Integral publication of this certificate and adjoining reports is allowed

DEKRA Certification B.V. Meander 1051, 6825 MJ Arnhem P.O. Box 5185, 6802 ED Arnhem, The Netherlands
T +31 88 96 83000 F +31 88 96 83100 www.dekra-certification.com Company registration 09085396



TEST CERTIFICATE

Issued to:	EAE Elektrik Asansör End. Insaat San. ve Tic. A.S. Akçaburgaz Mahallesi 119, Sokak No: 10 34510 Esenyurt / İstanbul Turkey
For the product:	Low-voltage busbar trunking system
Trade name:	EAE
Type/Model:	DL 03
Ratings:	I_{nc} 32 A at 50 Hz, U_i 690 V, U_{imp} 6 kV, I_{cw} 3 kA - 0,1 s For more details see annex
Manufactured by:	EAE Elektrik Asansör End. Insaat San. ve Tic. A.S. Akçaburgaz Mahallesi 119, Sokak No: 10 34510 Esenyurt / İstanbul Turkey
Subject:	Design verification
Requirements:	IEC 61439-6: 2012 Clauses: 10.2, 10.3, 10.4, 10.5, 10.9, 10.10, 10.11, 10.101 and Annex BB, CC, and DD
Remarks:	Busbar trunking system consists of feeder box, joint and straight lengths

This Test Certificate is granted on account of an examination by DEKRA, the results of which are laid down in report no. 2172392.02-INC, dated 4 May 2015.

The examination has been carried out on one single specimen of the product, submitted by the manufacturer. The Attestation does not include an assessment of the manufacturer's production. Conformity of his production with the specimen tested by DEKRA is not the responsibility of DEKRA.

Amhem, 4 May 2015

Number: 2172392.101

DEKRA Certification B.V.



F.S. Strikwerda
Certification Manager

© Integral publication of this certificate and adjoining reports is allowed

DEKRA Certification B.V. Meander 1051, 6825 MJ Amhem P.O. Box 5185, 6802 ED Amhem, The Netherlands
T +31 88 96 83000 F +31 88 96 83100 www.dekra-certification.com Company registration 09085396





TEST CERTIFICATE

Issued to:	EAE Elektrik Asansör End. İnsaat San. ve Tic. A.S. Akçaburgaz Mahallesi 119, Sokak No: 10 34510 Esenyurt / İstanbul Turkey
For the product:	Low-voltage busbar trunking system
Trade name:	EAE
Type/Model:	DL 04
Ratings:	I_{nc} 40 A at 50 Hz, U_i 690 V, U_{imp} 6 kV, I_{cw} 4 kA - 0,1 s For more details see annex
Manufactured by:	EAE Elektrik Asansör End. İnsaat San. ve Tic. A.S. Akçaburgaz Mahallesi 119, Sokak No: 10 34510 Esenyurt / İstanbul Turkey
Subject:	Design verification
Requirements:	IEC 61439-6: 2012 Clauses: 10.2, 10.3, 10.4, 10.5, 10.9, 10.10, 10.11, 10.101 and Annex BB, CC, and DD
Remarks:	Busbar trunking system consists of feeder box, joint and straight lengths

This Test Certificate is granted on account of an examination by DEKRA, the results of which are laid down in report no. 2172392.03-INC, dated 4 May 2015.

The examination has been carried out on one single specimen of the product, submitted by the manufacturer. The Attestation does not include an assessment of the manufacturer's production. Conformity of his production with the specimen tested by DEKRA is not the responsibility of DEKRA.

Arnhem, 4 May 2015

Number: 2172392.102

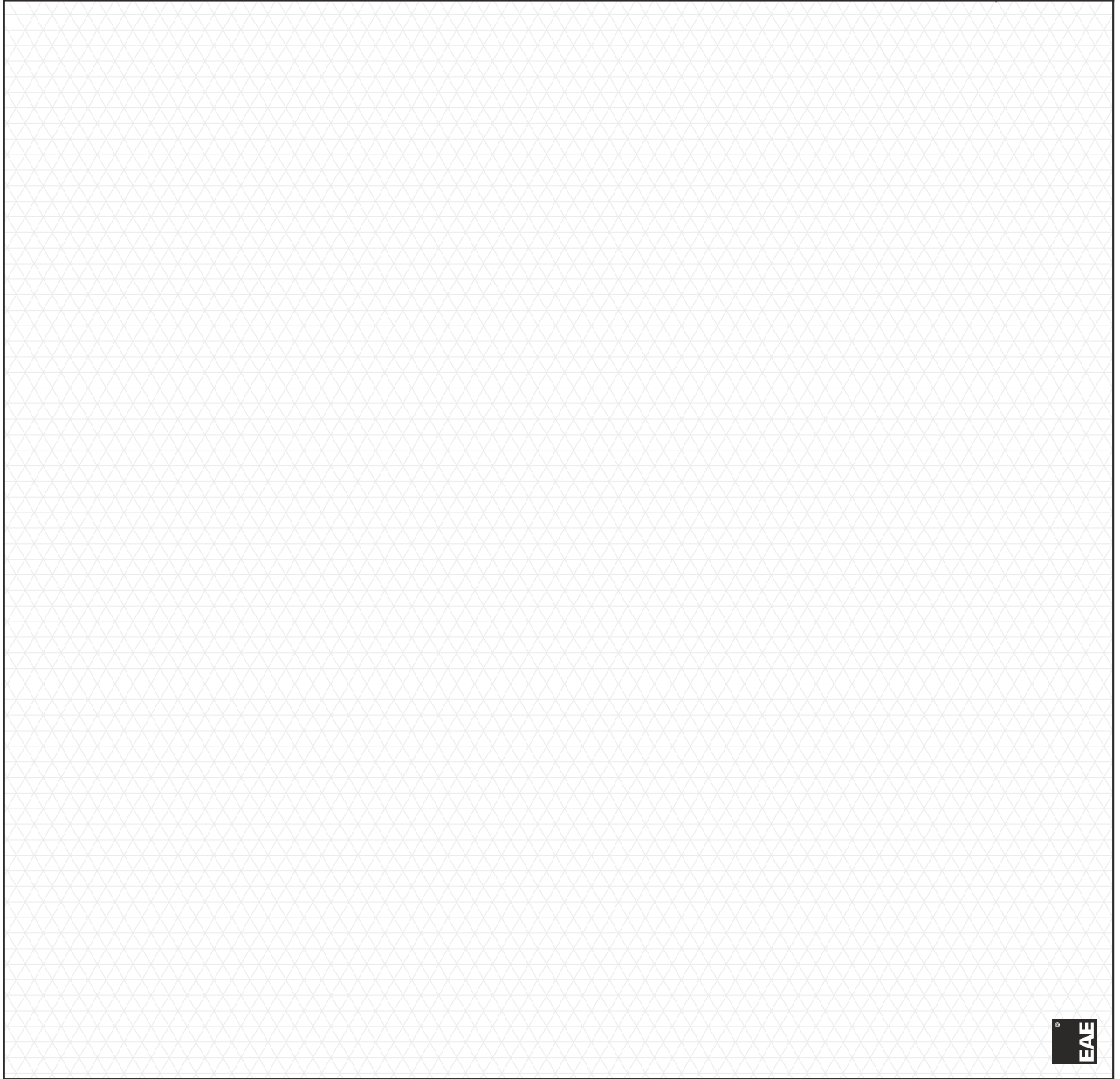
DEKRA Certification B.V.



F.S. Strikwerda
Certification Manager

© Integral publication of this certificate and adjoining reports is allowed


DEKRA Certification B.V. Meander 1051, 6825 MJ Arnhem P.O. Box 5185, 6802 ED Arnhem, The Netherlands
T +31 88 96 83000 F +31 88 96 83100 www.dekra-certification.com Company registration 09085396

Component List	Item	Component	Quantity		
				Company :	Prepared by
				Project :	
				Project No :	
				Name :	
				Date :	
				Signature :	

Please duplicate this page for your own use.

Item	Component List	Component	Quantity

Company :	
Project :	
Project No :	
Prepared by	
Name :	
Date :	
Signature :	



Please duplicate this page for your own use.

EAE Elektrik A.S.
Head Office
Akcaburgaz Mahallesi,
3114. Sokak, No: 10 34522
Esenyurt – Istanbul – TURKEY
Tel: +90 (212) 866 20 00
Fax: +90 (212) 886 24 00

EAE DL3 Factory
Busbar
Gebze IV Istanbul Makine ve Sanayicileri
Organize Bolgesi, 6. Cadde,
No: 6 41455 Demirciler Koyu,
Dilovası – Kocaeli – TURKEY
Tel: +90 (262) 999 05 55
Fax: +90 (262) 502 05 69

Please visit our website for the updated version of our catalogues.
www.eaeelectric.com



Catalog 42- EN. / Rev 04 500 Pcs. 02.01.2025
D.S.

EAE has full right to make any revisions or changes on this catalogue without any prior notice.