



E-LINE KY-S

Busbar Systems 25-40-63A



E-LINE KY-S

Please visit our website for the updated version of our catalogues.
www.eaelectric.com

CONTENTS



►► E-LINE KY-S

GENERAL

| | |
|---------------------------------|-----|
| General Overview | 2-3 |
| Technical Characteristics | 4 |
| Order Code System | 5 |

BUSBAR SELECTION

| | |
|---|-----|
| KY-S Busbar Conductor Structure and Addressing Types (Key Plan) | 6 |
| KY-S Busbar Selection Tables | 7-8 |
| KY-S DALI Busbar Selection Tables | 9 |

TAP-OFF PLUG SELECTION

| | |
|--|-------|
| KY-S Busbar Tap-Off Plug Selection Tables | 10-13 |
| KY-S DALI Busbar Tap-Off Plug Selection Tables | 14-15 |

TAP-OFF BOX SELECTION

| | |
|--|-------|
| KY-S Busbar Tap-Off Box Selection Tables | 16-20 |
|--|-------|

BUSBAR MODULE SELECTION

| | |
|--|----|
| Head Feeder Module (B1) Selection Table | 21 |
| End Feeder Module (B2) Selection Table | 22 |
| Flexible Elbow (FD) Module Selection Table | 23 |

FITTING BRACKETS AND ACCESSORY SELECTION

| | |
|--|-------|
| Busbar and Fitting Brackets (KY-S) | 24-26 |
| KY-S Accessories | 27 |

INSTALLATION DETAILS

| | |
|--|----|
| KY-S Busbar Joint Installation / Single Tap-Off Plug Installation | 28 |
| KY-S Busbar Tap-off Plugs with clips/Cylindrical Fuse Installation | 29 |
| KY-S Busbar Miniature Circuit Breaker (MCB) Tap-Off Box Installation | 30 |
| KY-S Busbar Tap-Off Box with Cartridge (Cylindrical) Fuse Installation | 31 |

CIRCUIT DIAGRAMS

| | |
|--|----|
| KY-S Busbar C6 (5 Conductors/L1-L2-L3-N- L_{EMG} -PE) Principle Connection Circuit Diagram (Common Neutral) with Residual Current Device (RCD) | 33 |
| KY-S DALI Busbar C10 (6 Conductors/D1-D2-L-N- L_{EMG} -NEMG-PE) Principle Connection Circuit Diagram | 34 |
| KY-S DALI Busbar C9 (5 Conductors/L1-L2-L-N- L_{EMG} -PE) Principle Connection Circuit Diagram (Common Neutral) with Residual Current Device (RCD) | 35 |
| KY-S DALI Busbar C8 (4 Conductors/D1-D2-L-N-PE) Principle Connection Circuit Diagram | 36 |
| KY-S DALI Busbar C11 (6 Conductors/D1-D2-L1-L2-L3-N-PE) Principle Connection Circuit Diagram | 37 |

SPECIFICATIONS AND "CE" CERTIFICATE

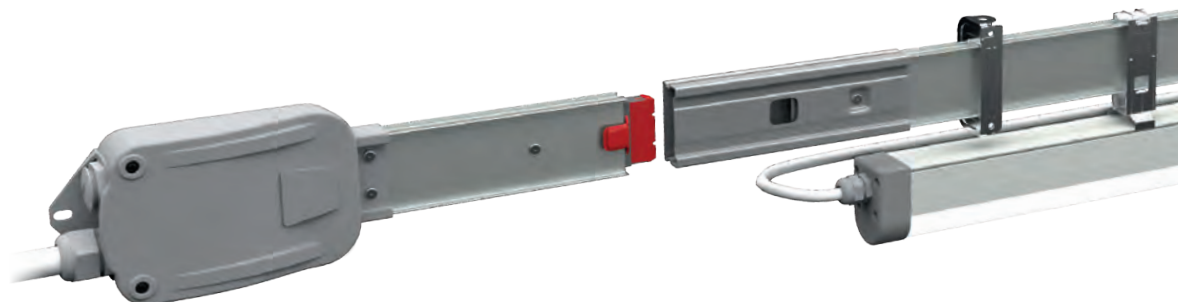
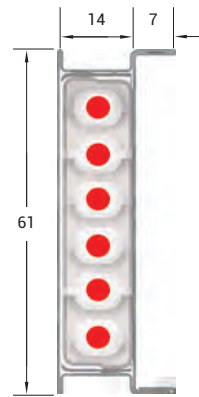
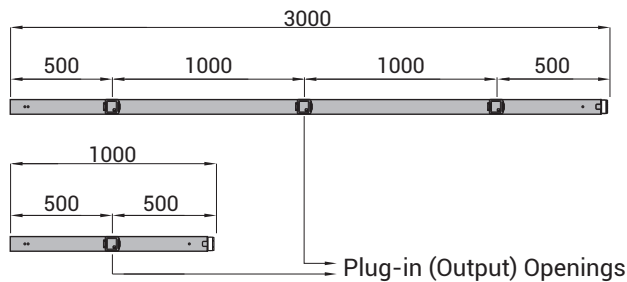
| | |
|---|----|
| E-LINE KY-S Busbar Product Overview | 38 |
| E-LINE KY-S Busbar CE Declaration of Conformity | 39 |
| KY-S Busbar Product Group | 40 |

E-Line KY-S Busbar Distribution Systems are used in building electrical installations with a power requirement of 25-40-63A. Due to the specifications of 10 and 16A tap-off plugs and 32A tap-off boxes, they are designed to supply lighting and wall socket circuits and small electrical machines and devices. The protection degree is IP55 when the covers of opening points are closed.

EAE Busbar Systems are produced using the world's latest manufacturing technologies, in accordance with ISO 9001 Standards and with a certified Quality Assurance System. Units are designed and tested according to IEC 61439-6. In standard production, the busbar housing is pre-galvanized sheet metal, and optionally, it can be manufactured in RAL 7038 colour.

➤ 3 and 1 Plug-in Openings in Standard 3m and 1m Lengths

KY-S Busbar system is manufactured in two different standard lengths.

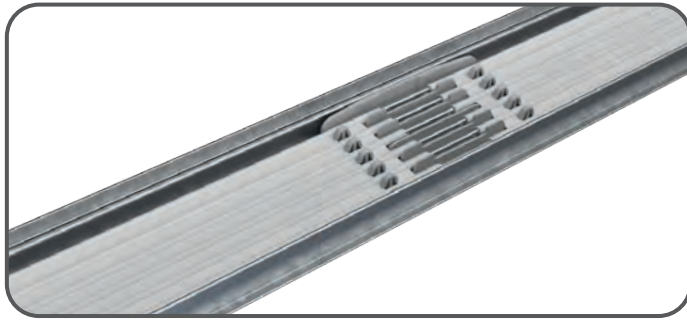


➤ **Tap-off Plugs and Boxes**
The Tap-off plugs of KY-S busbar systems are designed with different address structures in order to prevent misuse and shock. All plugs and boxes are manufactured to be connected to the busbar in one direction only. This prevents the use of a wrong phase.

➤ **Safety**
Earth contacts of the tap-off plugs and boxes make first when plugging-in, and the contact breaks last when unplugging.

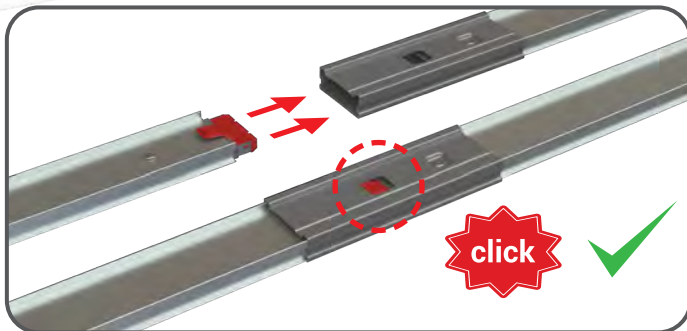
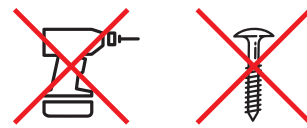
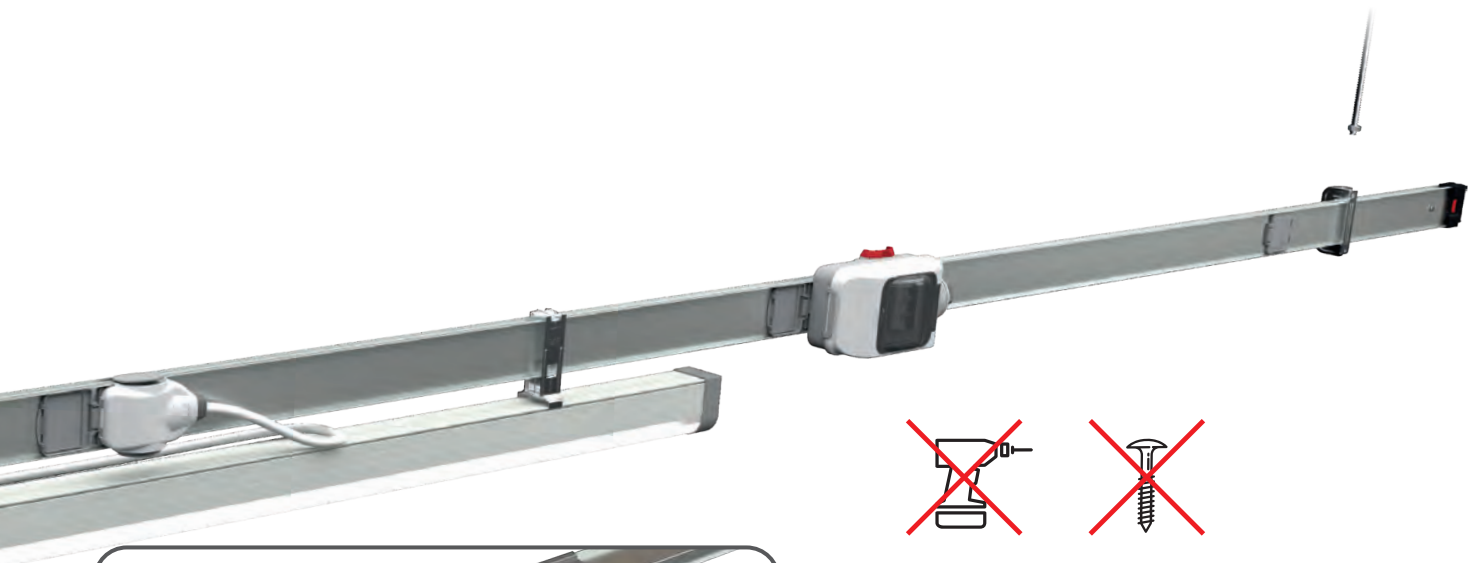
➤ **Colours Indicating Plugs and Boxes**
In plugs and boxes, the colours of the cover, housing, ear and cable entry gland are designed in different colours so that you can easily see the phase, function and features. (See. Page: 10)





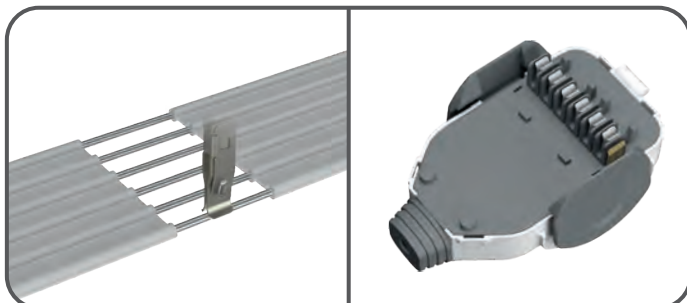
Insulation at Full Length

Busbar conductors are coated with full-length flame-proof insulation material. Full protection regarding human safety is provided even when the body is severely damaged due to external heavy impacts that may occur.



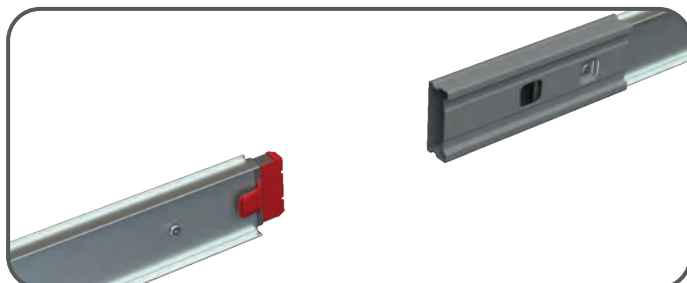
Fast, Easy and Secure Assembly

Mechanical and electrical continuity is achieved with a single action by driving the joint structure with silver-plated spring contacts into each other. You do not need to tighten any bolts to secure the locking. There is no need for any operation or tool for mounting the joint structure that prevents deflection and stretching.



Tin-Plated Conductors and Contacts

Copper conductors are plated with tin in full-length, preventing the formation of Copper Oxide. With this process, contact resistances are minimized. Steel spring reinforced. With the jawed contact construction, the contacts of the tap-off plugs and boxes compress the conductor from two surfaces in the busbar.



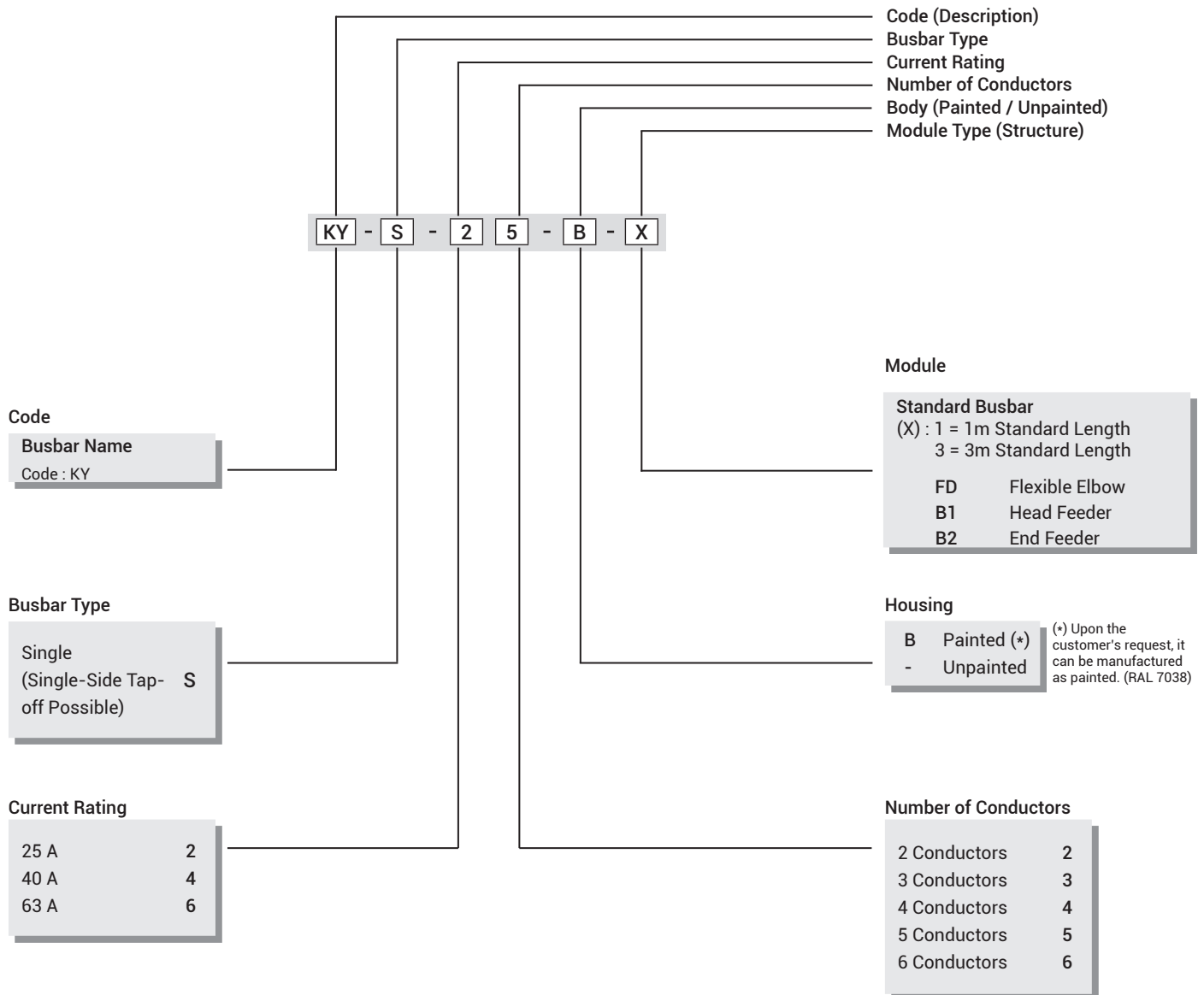
Silver-Plated Joint Contacts

The contacts at the busbar joints and the contacts of all tap-off units are silver-plated. The silver-plating minimises the contact impedances, thus preventing the over-heating of the contacts in case of possible over-loads.

| Rated Current | | I _n | A | 25 | 40 | 63 | | | |
|---|--|---------------------|-----------------|-------------|--------------|-------------|--------------|-------------|--------------|
| Busbar Code | | | | 2 | 4 | 6 | | | |
| Standards | IEC 61439-1/6, TS EN 61439-1/6 | | | | | | | | |
| Rated Isolation Voltage | U _i | V | | 690 | 690 | 690 | | | |
| Operating Voltage | U _e | V | | 400 | 400 | 400 | | | |
| Rated Frequency | f | Hz | | 50-60 | 50-60 | 50-60 | | | |
| Operating Ambient Temperature | t | °C | | -5/+50 | -5/+50 | -5/+50 | | | |
| Protection Degree (IP) | IP 55 | | | | | | | | |
| Mechanical Impact Resistance (IK) | IK07 | | | | | | | | |
| Rated Short-Time Current (0.1 s) | I _{CW} | kA _(rms) | | 2,5 | 3 | 4 | | | |
| Rated Peak Withstand Current | I _{pk} | kA | | 4 | 5 | 6,5 | | | |
| CONDUCTOR CHARACTERISTICS AT RATED CURRENT in | Resistance (AC) at a conductor temperature of 20 °C | R ₂₀ | mΩ/m | 7,387 | 3,793 | 2,4696 | | | |
| | Resistance (AC) at an ambient air temperature of 35 °C | R _t | mΩ/m | 8,903 | 4,8646 | 3,2727 | | | |
| | Reactance (Independent from Temperature) | X | mΩ/m | 1,010 | 0,6638 | 0,2177 | | | |
| | Positive and negative sequence impedances at an ambient air temperature of 35 °C | Z ₃₅ | mΩ/m | 8,903 | 4,9097 | 3,2800 | | | |
| | Positive and negative sequence impedances at a conductor temperature of 20 °C | Z ₂₀ | mΩ/m | 7,387 | 3,8510 | 2,4792 | | | |
| | Rated Power Loss at 35 °C | P | W/m | 16,7 | 23,4 | 39,0 | | | |
| | DC Resistance at a conductor temperature of 20 °C for Phases | R/ort _{PH} | mΩ/m | 7,203 | 3,900 | 2,697 | | | |
| | DC Resistance at a conductor temperature of 20 °C for Neutral | R _N | mΩ/m | 7,200 | 3,891 | 2,575 | | | |
| | DC Resistance at a conductor temperature of 20 °C for PE | R _{PE} | mΩ/m | 2,267 | 2,267 | 2,267 | | | |
| | DC Resistance at a conductor temperature of 20 °C for Clean Earth | R _{PE} | mΩ/m | 7,200 | 3,891 | 2,575 | | | |
| HOUSING AND SECTIONS | L1, L2, L3, N | S _L | mm ² | 2,54 | 4,9 | 8 | | | |
| | CPE (5 Conductors) | S _{CPE} | mm ² | 2,54 | 4,9 | 8 | | | |
| | PE (Sheet Steel) | S _{PE} | mm ² | 95 | 95 | 95 | | | |
| | PE (Cu Equivalent-Sheet Steel) | S _{PE(CU)} | mm ² | 7,60 | 7,60 | 7,60 | | | |
| | Busbar Weight (2 conductors) | P | kg/m | 1,026 | 1,066 | 1,118 | | | |
| | Busbar Weight (3 conductors) | P | kg/m | 1,056 | 1,115 | 1,193 | | | |
| | Busbar Weight (4 conductors) | P | kg/m | 1,086 | 1,164 | 1,264 | | | |
| | Busbar Weight (5 conductors) | P | kg/m | 1,016 | 1,213 | 1,345 | | | |
| | Busbar Weight (6 conductors) | P | kg/m | 1,146 | 1,262 | 1,415 | | | |
| | Busbar Housing Dimensions | LxH | mm | 54x13 | 54x13 | 54x13 | | | |
| Temperature of Operating Environment (min/max) | t | °C | | -5/+50 | -5/+50 | -5/+50 | | | |
| VOLTAGE DROP | | | | Three phase | Single phase | Three phase | Single phase | Three phase | Single phase |
| | Power factor (Cosφ) = 0.7 | ΔU | Volt/m | 0,186 | 0,215 | 0,138 | 0,159 | 0,158 | 0,182 |
| | Power factor (Cosφ) = 0.8 | ΔU | Volt/m | 0,202 | 0,233 | 0,174 | 0,201 | 0,169 | 0,195 |
| | Power factor (Cosφ) = 0.9 | ΔU | Volt/m | 0,225 | 0,260 | 0,188 | 0,217 | 0,186 | 0,215 |
| | Power factor (Cosφ) = 1.0 | ΔU | Volt/m | 0,236 | 0,272 | 0,194 | 0,224 | 0,199 | 0,230 |
| <p>*It is assumed that the voltage drop values are at full load (max. current) and the load is distributed on the line and they are given as values (Volt) per meter for different power factors (Cosφ).</p> <p>*If the entire load is at the end of the line, please find the end-of-line voltage drop by dividing the values given in the table by 0.66.</p> <p>*k=0,66 (Load distribution factor). $\left[k = \frac{n+1}{2n} \right]$ n = 3 (Number of tap-off in a standard 3 m busbar)</p> <p>*Table values are given to facilitate basic calculations, and for exact values, calculations should be made according to IEC 60364-52, taking into account the project details.</p> | | | | | | | | | |

Allowable Mechanical Loading Table

| Busbar Types KY-S | Fixing Element Intermediate Distance (L) (m) | Diagram | |
|-------------------|--|--------------------------------------|---------------------------|
| | | Single Point Suspended Load (F) (kg) | Distributed Load (F) (kg) |
| 25A / 40A / 63A | 1,5 | 60 | 66 |
| | 2,0 | 30 | 35 |
| | 3,0 | 10 | 12 |



Busbar Function

| | |
|--------------------|---|
| P | Power |
| P _{Emg} | Power + Emergency Kit (Emg) Supply |
| PDL | Power + DALI Lighting Automation |
| PDL _{Emg} | Power + DALI Lighting Automation + Emergency Kit (Emg) Supply |

Protection Conductor

| | |
|-----|-----------------------|
| PE | Housing |
| CPE | Independent Conductor |

Addressing Type

| |
|------------------|
| P1 - P2 - P3 -P4 |
|------------------|

Phase Structure

| | |
|------------------|-----------------------------|
| L1 | Phase-1 |
| L2 | Phase-2 |
| L3/L | Phase-3 |
| N | Neutral |
| L _{emg} | Emergency Kit (Emg) Phase |
| N _{emg} | Emergency Kit (Emg) Neutral |

Conductor Model

| |
|----------------------|
| KY-S: |
| C1-C2-C3-C4-C5-C6-C7 |
| KY-S-DALI: |
| C8-C9-C10-C11 |

DESCRIPTION:

Apart from the information specified as "order code system", the following information is available on the busbar as label information;

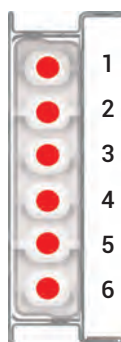
- Busbar function,
 - Phase structure,
 - Protection conductor,
 - Conductor model and addressing type
- are available on busbar as label information.

►►KY-S Busbar Conductor Structure and Addressing Types

►Key Plan

Based on the conductor model given below, determine the KY-S busbar suitable for your needs. For the busbar, tap-off plug, tap-off box and other modules, select the products on the sides of the tables and from the pages given below:

KY-S



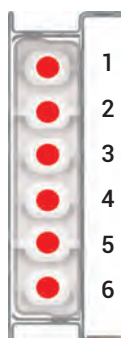
| Conductor Model |
|----------------------|
| Addressing Type |
| Number of Conductors |

| | | | | | | |
|----|-----|----|------------------|-----|------------------|------------------|
| | | L1 | | L1 | L1 | L1 |
| | | L2 | | L2 | L2 | L2 |
| L | L | L3 | L | L3 | L3 | L3 |
| N | N | N | N | N | N | N |
| | CPE | | L _{EMG} | CPE | L _{EMG} | L _{EMG} |
| | | | N _{EMG} | | | N _{EMG} |
| PE | | PE | PE | | PE | PE |

- See page 7-8 for busbar selection,
- See page 10-13 for plug selection,
- See page 16-20 for box selection.

| C1 | C2 | C3 | C4 | C5 | C6 | C7 |
|----|----|----|----|----|----|----|
| P1 | P2 | P1 | P1 | P2 | P1 | P1 |
| 2 | 3 | 4 | 4 | 5 | 5 | 6 |

KY-S-DALI



| Conductor Model |
|----------------------|
| Addressing Type |
| Number of Conductors |

| | | | |
|----|------------------|------------------|----|
| D1 | D1 | D1 | D1 |
| D2 | D2 | D2 | D2 |
| L | L | L | L1 |
| N | N | N | L2 |
| | L _{EMG} | L _{EMG} | L3 |
| | | N _{EMG} | N |
| PE | PE | PE | PE |

- See page 9 for busbar selection
- See page 14-15 for plug selection,

| C8 | C9 | C10 | C11 |
|----|----|-----|-----|
| P3 | P3 | P3 | P4 |
| 4 | 5 | 6 | 6 |

- For head feeder (B1) module: See page 21
- For end feeder (B2) module: See page 22
- For flexible elbow (FD) module: See page 23
- For fixing element, installation details and principle connection circuit diagrams, see the following related pages.

- **Addressing Type:** Operation current plug-in openings and tap-off plugs and boxes are addressed to prevent incorrect use, the tap-off plugs and boxes with different address types and busbars cannot be used with each other.
- **PE** = housing with protective conductor
CPE= Clean protection (clean earth) conductor (Independent conductor)

►►KY-S Busbar Selection Tables

■ (*) Marked busbar definitions are given for 3 m standard lengths, take into account the expression in parentheses for 1 m standard lengths.

| Conductor Model : C1 | | 2 CONDUCTOR CONSTRUCTION: L-N-PE (housing) | | | | |
|----------------------|-------------------|--|------------|---------|---|--|
| BUSBAR | | | ORDER CODE | | ADDRESSING TYPE: P1 | |
| Current | Definition (*) | Type | 3 m | 1 m | Description | |
| 25 A | KY-S 22-3m (1m) | Unpainted | 3178721 | 3178780 | <ul style="list-style-type: none"> It is used with single-phase tap-off plug (L) in lighting, socket and power circuits as single-phase distribution. See Table-01 on page 10 for tap-off plugs and See Table-01 on page 16 for tap-off boxes. | |
| | KY-S 22-B-3m (1m) | Painted | 3178735 | 3178794 | | |
| 40 A | KY-S 42-3m (1m) | Unpainted | 3178725 | 3178784 | | |
| | KY-S 42-B-3m (1m) | Painted | 3178740 | 3178799 | | |
| 63 A | KY-S 62-3m (1m) | Unpainted | 3178730 | 3178789 | | |
| | KY-S 62-B-3m (1m) | Painted | 3178745 | 3178804 | | |

| Conductor Model : C2 | | 3 CONDUCTOR CONSTRUCTION : L-N-CPE (clean earth) | | | | |
|----------------------|-------------------|--|------------|---------|---|--|
| BUSBAR | | | ORDER CODE | | ADDRESSING TYPE: P2 | |
| Current | Definition (*) | Type | 3 m | 1 m | Description | |
| 25 A | KY-S 23-3m (1m) | Unpainted | 3178722 | 3178781 | <ul style="list-style-type: none"> As a single-phase distribution, it is used with a single-phase tap-off plug (L) in the sockets and power circuits requiring a clean earth conductor. See Table-02 on page 10 for tap-off plugs and See Table-02 on page 16 for tap-off boxes. | |
| | KY-S 23-B-3m (1m) | Painted | 3178736 | 3178795 | | |
| 40 A | KY-S 43-3m (1m) | Unpainted | 3178726 | 3178785 | | |
| | KY-S 43-B-3m (1m) | Painted | 3178741 | 3178800 | | |
| 63 A | KY-S 63-3m (1m) | Unpainted | 3178731 | 3178790 | | |
| | KY-S 63-B-3m (1m) | Painted | 3178746 | 3178805 | | |

| Conductor Model : C3 | | 4 CONDUCTOR CONSTRUCTION : L1-L2-L3-N-PE (housing) | | | | |
|----------------------|-------------------|--|------------|---------|--|--|
| BUSBAR | | | ORDER CODE | | ADDRESSING TYPE: P1 | |
| Current | Definition (*) | Type | 3 m | 1 m | Description | |
| 25 A | KY-S 24-3m (1m) | Unpainted | 3178723 | 3178782 | <ul style="list-style-type: none"> As a three-phase distribution, it is used with a single-phase and/or three-phase tap-off plugs in lighting, sockets and power circuits. See Table-03 on page 11 for tap-off plugs and See Table-03 on page 17 for tap-off boxes. | |
| | KY-S 24-B-3m (1m) | Painted | 3178737 | 3178796 | | |
| 40 A | KY-S 44-3m (1m) | Unpainted | 3178727 | 3178786 | | |
| | KY-S 44-B-3m (1m) | Painted | 3178742 | 3178801 | | |
| 63 A | KY-S 64-3m (1m) | Unpainted | 3178732 | 3178791 | | |
| | KY-S 64-B-3m (1m) | Painted | 3178747 | 3178806 | | |

| Conductor Model : C4 | | 4 CONDUCTOR CONSTRUCTION : L-N-L _{EMG} -N _{EMG} -PE (housing) | | | | |
|----------------------|-----------------------|---|------------|---------|---|--|
| BUSBAR | | | ORDER CODE | | ADDRESSING TYPE: P1 | |
| Current | Definition (*) | Type | 3 m | 1 m | Description | |
| 25 A | KY-S 24-EMG-3m (1m) | Unpainted | 3182912 | 3183136 | <ul style="list-style-type: none"> As a single-phase distribution, it is used with single-phase + EMG tap-off plug (L) in lighting fixture circuits with emergency kit. See Table-04 on page 11 for tap-off plugs and See Table-04 on page 17 for tap-off boxes. | |
| | KY-S 24-EMG-B-3m (1m) | Painted | 3183252 | 3183506 | | |
| 40 A | KY-S 44-EMG-3m (1m) | Unpainted | 3182946 | 3183170 | | |
| | KY-S 44-EMG-B-3m (1m) | Painted | 3183291 | 3183545 | | |
| 63 A | KY-S 64-EMG-3m (1m) | Unpainted | 3182985 | 3183209 | | |
| | KY-S 64-EMG-B-3m (1m) | Painted | 3183335 | 3183589 | | |

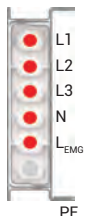
| Conductor Model : C5 | | 5 CONDUCTOR CONSTRUCTION : L1-L2-L3-N-CPE (clean earth) | | | | |
|----------------------|-------------------|---|------------|---------|--|--|
| BUSBAR | | | ORDER CODE | | ADDRESSING TYPE: P2 | |
| Current | Definition (*) | Type | 3 m | 1 m | Description | |
| 25 A | KY-S 25-3m (1m) | Unpainted | 3178724 | 3178783 | <ul style="list-style-type: none"> As a three-phase distribution, it is used with single-phase and/or three-phase tap-off plugs in the sockets and power circuits requiring a clean earth conductor. See Table-05 on page 12 for tap-off plugs and See Table-05 on page 18 for tap-off boxes. | |
| | KY-S 25-B-3m (1m) | Painted | 3178738 | 3178797 | | |
| 40 A | KY-S 45-3m (1m) | Unpainted | 3178728 | 3178787 | | |
| | KY-S 45-B-3m (1m) | Painted | 3178743 | 3178802 | | |
| 63 A | KY-S 65-3m (1m) | Unpainted | 3178733 | 3178792 | | |
| | KY-S 65-B-3m (1m) | Painted | 3178748 | 3178807 | | |

■ In standard manufacturing, the busbar housing is made of pre-galvanized sheet metal. However, it can also be optionally manufactured as painted in RAL 7038 colour.

►►KY-S Busbar Selection Tables

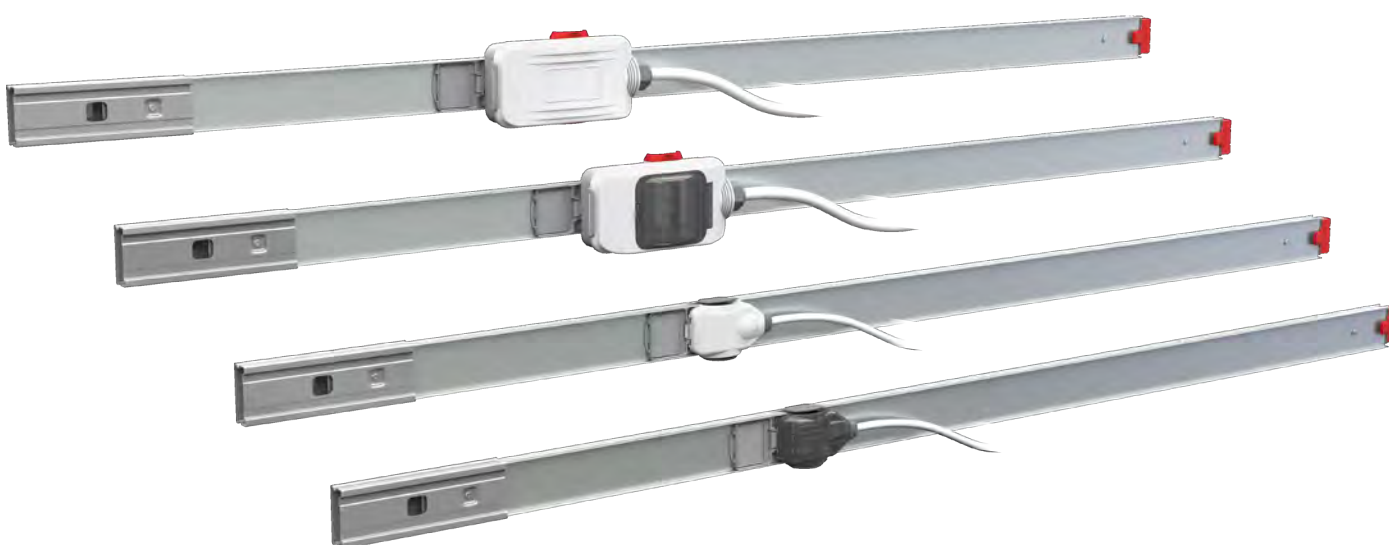
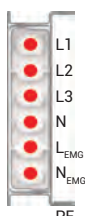
■ (*) Marked busbar definitions are given for 3 m standard lengths, take into account the expression in parentheses for 1 m standard lengths.

| Conductor Model : C6 | | 5 CONDUCTOR CONSTRUCTION : L1-L2-L3-N-L _{EMG} -PE (housing) | | | | |
|----------------------|-----------------------|--|------------|---------|---|--|
| BUSBAR | | | ORDER CODE | | ADDRESSING TYPE: P1 | |
| Current | Definition (*) | Type | 3 m | 1 m | Description | |
| 25 A | KY-S 25-EMG-3m (1m) | Unpainted | 3182915 | 3183139 | <ul style="list-style-type: none"> As a three-phase distribution, it is used with single-phase + EMG tap-off plugs in lighting fixture circuits with emergency kit. See Table-06 on page 12 for tap-off plugs and See Table-6/1 ve 6/2 on page 18 for tap-off boxes. | |
| | KY-S 25-EMG-B-3m (1m) | Painted | 3183256 | 3183510 | | |
| 40 A | KY-S 45-EMG-3m (1m) | Unpainted | 3182949 | 3183173 | | |
| | KY-S 45-EMG-B-3m (1m) | Painted | 3183295 | 3183549 | | |
| 63 A | KY-S 65-EMG-3m (1m) | Unpainted | 3182988 | 3183212 | | |
| | KY-S 65-EMG-B-3m (1m) | Painted | 3183339 | 3183593 | | |



■ Principle Connection Circuit Diagram is given on page-33.

| Conductor Model : C7 | | 6 CONDUCTOR CONSTRUCTION : L1-L2-L3-N-L _{EMG} -N _{EMG} -PE (housing) | | | | |
|----------------------|-----------------------|--|------------|---------|---|--|
| BUSBAR | | | ORDER CODE | | ADDRESSING TYPE: P1 | |
| Current | Definition (*) | Type | 3 m | 1 m | Description | |
| 25 A | KY-S 26-EMG-3m (1m) | Unpainted | 3177338 | 3182906 | <ul style="list-style-type: none"> As a three-phase distribution, it is used with single-phase + EMG tap-off plugs in lighting fixture circuits with emergency kit. See Table-07 on page 13 for tap-off plugs and See Table-7/1 ve 7/2 on page 20 for tap-off boxes. | |
| | KY-S 26-EMG-B-3m (1m) | Painted | 3178739 | 3178798 | | |
| 40 A | KY-S 46-EMG-3m (1m) | Unpainted | 3178729 | 3178788 | | |
| | KY-S 46-EMG-B-3m (1m) | Painted | 3178744 | 3178803 | | |
| 63 A | KY-S 66-EMG-3m (1m) | Unpainted | 3178734 | 3178793 | | |
| | KY-S 66-EMG-B-3m (1m) | Painted | 3178749 | 3178808 | | |



■ In standard manufacturing, the busbar housing is made of pre-galvanized sheet metal. However, it can also be optionally manufactured as painted in RAL 7038 colour.

►►KY-S-DALI Busbar Selection Tables

■ (*) Marked busbar definitions are given for 3 m standard lengths, take into account the expression in parentheses for 1 m standard lengths.

| Conductor Model : C8 | | 4 CONDUCTOR CONSTRUCTION (DALI) : D1-D2-L-N-PE (housing) | | | | |
|----------------------|------------------------|--|------------|---------|--|--|
| BUSBAR | | | ORDER CODE | | ADDRESSING TYPE: P3 | |
| Current | Definition (*) | Type | 3 m | 1 m | Description | |
| 25 A | KY-S 24-DALI-3m (1m) | Unpainted | 3182916 | 3183140 | <ul style="list-style-type: none"> As a single-phase distribution, it is used with DALI single-phase tap-off plug in luminaire circuits with DALI ballast. See Table-08 on page 14 for tap-off plugs and | |
| | KY-S 24-DALI-B-3m (1m) | Painted | 3183257 | 3183511 | | |
| 40 A | KY-S 44-DALI-3m (1m) | Unpainted | 3182950 | 3183174 | | |
| | KY-S 44-DALI-B-3m (1m) | Painted | 3183296 | 3183550 | | |
| | | | | | | |
| | | | | | | |

■ Principle Connection Circuit Diagram is given on page-36.

| Conductor Model : C9 | | 5 CONDUCTOR CONSTRUCTION (DALI) : D1-D2-L-N-L _{EMG} -PE (housing) | | | | |
|----------------------|------------------------|--|------------|---------|--|--|
| BUSBAR | | | ORDER CODE | | ADDRESSING TYPE: P3 | |
| Current | Definition (*) | Type | 3 m | 1 m | Description | |
| 25 A | KY-S 25-DALI-3m (1m) | Unpainted | 3182917 | 3183141 | <ul style="list-style-type: none"> As a single-phase distribution, it is used with DALI single-phase and DALI single-phase + EMG tap-off plugs in luminaire circuits with DALI ballast and emergency (emg) kits. (Note: The neutral of luminaire and emergency kit is common) See Table-09 on page 14 for tap-off plugs and | |
| | KY-S 25-DALI-B-3m (1m) | Painted | 3183258 | 3183512 | | |
| 40 A | KY-S 45-DALI-3m (1m) | Unpainted | 3182951 | 3183175 | | |
| | KY-S 45-DALI-B-3m (1m) | Painted | 3183297 | 3183551 | | |
| | | | | | | |
| | | | | | | |

■ Principle Connection Circuit Diagram is given on page-35.

| Conductor Model : C10 | | 6 CONDUCTOR CONSTRUCTION (DALI) : D1-D2-L-N-L _{EMG} -N _{EMG} -PE (housing) | | | | |
|-----------------------|------------------------|--|------------|---------|--|--|
| BUSBAR | | | ORDER CODE | | ADDRESSING TYPE: P3 | |
| Current | Definition (*) | Type | 3 m | 1 m | Description | |
| 25 A | KY-S 26-DALI-3m (1m) | Unpainted | 3182918 | 3183142 | <ul style="list-style-type: none"> As a single-phase distribution, it is used with DALI single-phase and DALI single-phase + EMG tap-off plugs in luminaire circuits with DALI ballast and emergency (emg) kits. (Note: The neutral of luminaire and emergency kit is separate) See Table-10 on page 15 for tap-off plugs and | |
| | KY-S 26-DALI-B-3m (1m) | Painted | 3183259 | 3183513 | | |
| 40 A | KY-S 46-DALI-3m (1m) | Unpainted | 3182952 | 3183176 | | |
| | KY-S 46-DALI-B-3m (1m) | Painted | 3183298 | 3183552 | | |
| | | | | | | |
| | | | | | | |

■ Principle Connection Circuit Diagram is given on page-34.

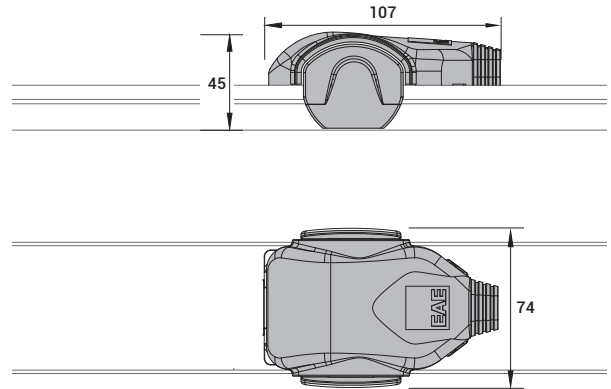
| Conductor Model : C11 | | 6 CONDUCTOR CONSTRUCTION (DALI) : D1-D2-L1-L2-L3-N-PE (housing) | | | | |
|-----------------------|------------------------|---|------------|---------|--|--|
| BUSBAR | | | ORDER CODE | | ADDRESSING TYPE: P4 | |
| Current | Definition (*) | Type | 3 m | 1 m | Description | |
| 25 A | KY-S 26-DALI-3m (1m) | Unpainted | 3182944 | 3183168 | <ul style="list-style-type: none"> As a three-phase distribution, it is used with DALI single-phase tap-off plugs in luminaire circuits with DALI ballast. See Table-11 on page 15 for tap-off plugs and | |
| | KY-S 26-DALI-B-3m (1m) | Painted | 3183285 | 3183539 | | |
| 40 A | KY-S 46-DALI-3m (1m) | Unpainted | 3182983 | 3183207 | | |
| | KY-S 46-DALI-B-3m (1m) | Painted | 3183329 | 3183583 | | |
| | | | | | | |
| | | | | | | |

■ Principle Connection Circuit Diagram is given on page-37.

■ KY-S Busbar "DALI" version is not manufactured in 63A. If necessary, please contact our company.

■ In standard manufacturing, the busbar housing is made of pre-galvanized sheet metal. However, it can also be optionally manufactured as painted in RAL 7038 colour.

►►KY-S Busbar Tap-Off Plug Selection Tables



► Colour Definitions in Plugs

| LOWER HOUSING AND EAR | ADDRESSING TYPE (*) | UPPER HOUSING | PROPERTIES | CABLE GLAND | PHASE/CMD/SIGNAL |
|-----------------------|---------------------|-------------------|------------------------------|-------------|------------------|
| GRAY | P1 | LIGHT GRAY | SIMPLE AND WITH CLIPS | BROWN | L1 / S1 |
| LIGHT GRAY | P2 | TRANSPARENT SMOKY | CARTRIDGE (CYLINDRICAL) FUSE | BLACK | L2 / S2 |
| RED | P3 | | | GRAY | L / L3 / S3 |
| BLACK | P4 | | | ORANGE | L1 / L2 / L3 |
| | | | | YELLOW | DALI |

General Descriptions:

- The cross-section of the cable supplied with BL-10 A simple plugs is 0.75mm², its type is 052XZ1-F or H05VV-F, and its length is 75cm.
- The cross-section of the cable supplied with B-16 A simple plugs is 1.5mm², its type is 052XZ1-F or H05VV-F, and its length is 75cm.
- In FS-16 A Cartridge (Cylindrical) fused plugs, the fuse base is 5x20 mm and the cartridge is not included. It can be ordered separately as needed.
- In plugs with K-16 A Terminals, the terminals are suitable for cables with a cross-section of 1.5 - 2.5mm².

CAUTION:

(*) The compatibility of the selected busbar and tap-off plugs is ensured by "addressing pins". If the selected plug does not fit into the busbar current plug-in openings, please do not cut the pins.

►KY-S Busbar Tap-Off Plugs : Table-01

Power Plug
(Plug)
L/N/PE

| Conductor Model | C1 |
|----------------------|----|
| Addressing Type | P1 |
| Number of Conductors | 2 |

►KY-S Busbar Tap-Off Plugs : Table-02

Power Plug
(Plug)
L/N/CPE

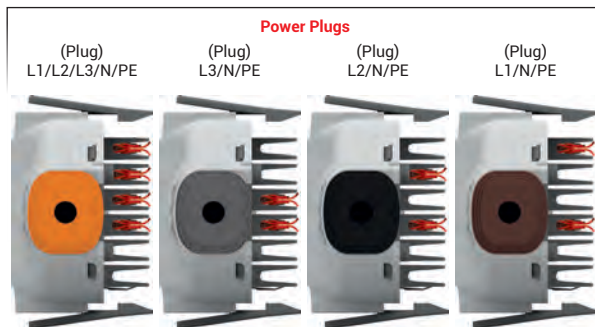
| Conductor Model | C2 |
|----------------------|----|
| Addressing Type | P2 |
| Number of Conductors | 3 |

| Order Code | TAP-OFF PLUG | | | | |
|------------|-----------------------------------|---------|----------------------------------|----------|------------|
| | Description | Current | Cable | | |
| | | | Cross-Section (mm ²) | Type | Length (m) |
| 3196707 | (BL) Simple - HF | 10 A | 3x0,75 | 052XZ1-F | 0,75 |
| 3196538 | (BL) Simple - Normal | | | H05VV-F | |
| 3196718 | (B) Simple - HF | 16 A | 3x1,5 | 052XZ1-F | |
| 3196546 | (B) Simple - Normal | | | H05VV-F | |
| 3196559 | (FS) Cartridge (Cylindrical) Fuse | 16 A | Without cable | | |
| 3196571 | (K) with Clips | 16 A | Without cable | | |

| Order Code | TAP-OFF PLUG | | Cable | | |
|------------|-----------------------------------|---------|----------------------------------|----------|------------|
| | Description | Current | Cross Section (mm ²) | Type | Length (m) |
| -- | -- | -- | -- | -- | -- |
| 3196723 | (B) Simple - HF | 16 A | 3x1,5 | 052XZ1-F | 0,75 |
| 3196551 | (B) Simple - Normal | | | H05VV-F | |
| 3196564 | (FS) Cartridge (Cylindrical) Fuse | 16 A | Without cable | | |
| 3196576 | (K) with Clips | 16 A | Without cable | | |

■ All dimensions are stated in "mm".

►KY-S Busbar Tap-Off Plugs : Table-03

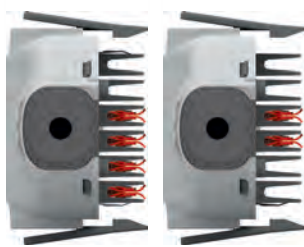
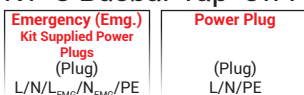


| | |
|----------------------|----|
| Conductor Model | C3 |
| Addressing Type | P1 |
| Number of Conductors | 4 |

| Order Code | Order Code | Order Code | Order Code | TAP-OFF PLUG | | | | |
|-------------|------------|------------|------------|----------------------------------|---------|----------------------------------|----------|------------|
| | | | | Description | Current | Cable | | |
| | | | | | | Cross-Section (mm ²) | Type | Length (m) |
| -- | 3179155 | 3179154 | 3179153 | (BL) Simple - HF | 10 A | 3x0,75 | 052XZ1-F | 0,75 |
| -- | 3194589 | 3194588 | 3194587 | (BL) Simple - Normal | | | H05VV-F | |
| 3196717 (*) | 3177342 | 3177341 | 3177340 | (B) Simple - HF | 16 A | 3x1,5 (5x1,5) | 052XZ1-F | |
| 3196545 (*) | 3196716 | 3196715 | 3196714 | (B) Simple - Normal | | | H05VV-F | |
| 3196558 | 3196557 | 3196556 | 3196555 | (FS) Cartridge(Cylindrical) Fuse | 16 A | Without cable | | |
| 3179159 | 3179158 | 3179157 | 3179156 | (K) With Clips | 16 A | Without cable | | |

Cable cross-sections in parentheses are used in tap-off plugs marked (*).

►KY-S Busbar Tap-Off Plugs : Table-04



| | |
|----------------------|----|
| Conductor Model | C4 |
| Addressing Type | P1 |
| Number of Conductors | 4 |

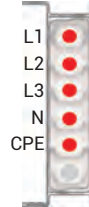
| Order Code | Order Code | TAP-OFF PLUG | | | | |
|-------------|------------|----------------------------------|---------|----------------------------------|----------|------------|
| | | Description | Current | Cable | | |
| | | | | Cross-Section (mm ²) | Type | Length (m) |
| 3207588 (*) | 3196707 | (BL) Simple - HF | 10 A | 3x0,75 (5x0,75) | 052XZ1-F | 0,75 |
| 3207587 (*) | 3196538 | (BL) Simple - Normal | | | H05VV-F | |
| 3207598 (*) | 3196718 | (B) Simple - HF | 16 A | 3x1,5 (5x1,5) | 052XZ1-F | |
| 3207599 (*) | 3196546 | (B) Simple - Normal | | | H05VV-F | |
| 3207612 | 3196559 | (FS) Cartridge(Cylindrical) Sig. | 16 A | Without cable | | |
| 3207617 | 3196571 | (K) With Clips | 16 A | Without cable | | |

Cable cross-sections in parentheses are used in tap-off plugs marked (*).

►KY-S Busbar Tap-Off Plugs : Table-05

Power Plugs (With Clean Protection Conductor - Clean Earth)

| (Plug) L1/L2/L3/N/CPE | (Plug) L3/N/CPE | (Plug) L2/N/CPE | (Plug) L1/N/CPE |
|--------------------------|--------------------|--------------------|--------------------|
| | | | |
| Order Code | Order Code | Order Code | Order Code |
| -- | -- | -- | -- |
| 3196722 (*) | 3196721 | 3196720 | 3196719 |
| 3196550 (*) | 3196549 | 3196548 | 3196547 |
| 3196563 | 3196562 | 3196561 | 3196560 |
| 3196575 | 3196574 | 3196573 | 3196572 |



| | |
|----------------------|----|
| Conductor Model | C5 |
| Addressing Type | P2 |
| Number of Conductors | 5 |

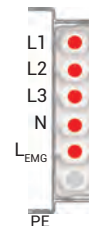
| TAP-OFF PLUG | | | | |
|----------------------------------|---------|----------------------------------|----------|------------|
| Description | Current | Cable | | |
| | | Cross-Section (mm ²) | Type | Length (m) |
| (BL) Simple - HF | | - | | |
| (BL) Simple - Normal | | - | | |
| (B) Simple - HF | 16 A | 3x1,5 (5x1,5) | 052XZ1-F | 0,75 |
| (B) Simple - Normal | | | H05VV-F | |
| (FS) Cartridge(Cylindrical) Fuse | 16 A | Without cable | | |
| (K) With Clips | 16 A | Without cable | | |

Cable cross-sections in parentheses are used in tap-off plugs marked (*).

►KY-S Busbar Tap-Off Plugs : Tablo-06

Emergency (Emg.) Kit Supplied Power Plugs (Common Neutral)

| (Plug) L3/N/L _{EMG} /PE | (Plug) L2/N/L _{EMG} /PE | (Plug) L1/N/L _{EMG} /PE | (Plug) L3/N/PE | (Plug) L2/N/PE | (Plug) L1/N/PE |
|-------------------------------------|-------------------------------------|-------------------------------------|-------------------|-------------------|-------------------|
| | | | | | |
| Order Code | Order Code | Order Code | Order Code | Order Code | Order Code |
| 3207592 (*) | 3207591 (*) | 3207590 (*) | 3179155 | 3179154 | 3179153 |
| 3207595 (*) | 3207594 (*) | 3207593 (*) | 3194589 | 3194588 | 3194587 |
| 3207604 (*) | 3207603 (*) | 3207601 (*) | 3177342 | 3177341 | 3177340 |
| 3207610 (*) | 3207608 (*) | 3207606 (*) | 3196716 | 3196715 | 3196714 |
| 3207615 | 3207614 | 3207613 | 3196557 | 3196556 | 3196555 |
| 3207621 | 3207620 | 3207618 | 3179158 | 3179157 | 3179156 |



| | |
|----------------------|----|
| Conductor Model | C6 |
| Addressing Type | P1 |
| Number of Conductors | 5 |

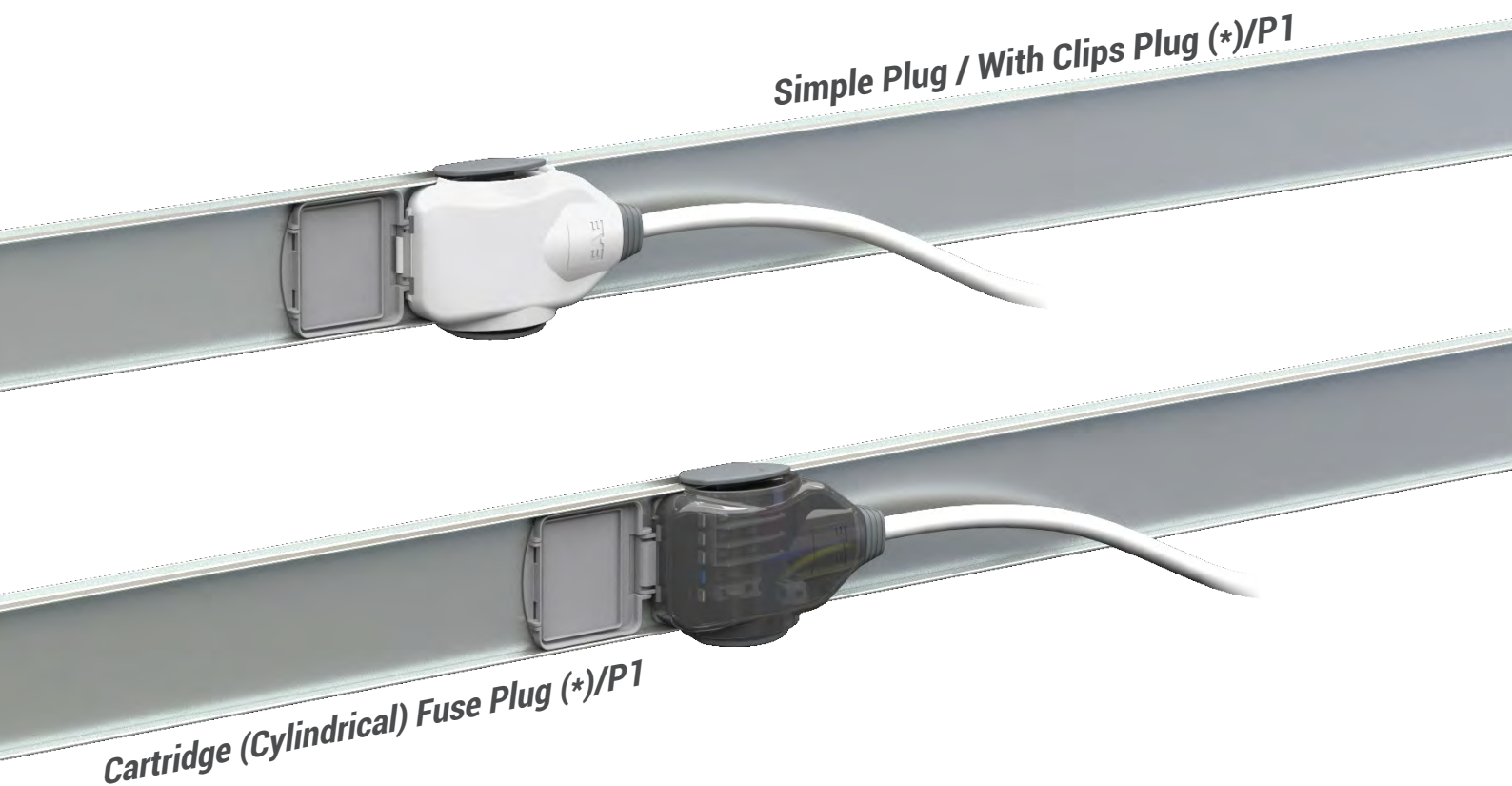
| TAP-OFF PLUG | | | | |
|-----------------------------------|---------|----------------------------------|----------|------------|
| Description | Current | Cable | | |
| | | Cross Section (mm ²) | Type | Length (m) |
| (BL) Simple - HF | 10 A | 3x0,75 (4x0,75) | 052XZ1-F | 0,75 |
| (BL) Simple - Normal | | | H05VV-F | |
| (B) Simple - HF | 16 A | 3x1,5 (4x1,5) | 052XZ1-F | |
| (B) Simple - Normal | | | H05VV-F | |
| (FS) Cartridge (Cylindrical) Fuse | 16 A | Without cable | | |
| (K) With Clips | 16 A | Without cable | | |

Cable cross-sections in parentheses are used in tap-off plugs marked (*).

►KY-S Busbar Tap-Off Plugs : Table-07

| Emergency (Emg.) Kit Supplied Power Plugs | | | Power Plugs | | | | Conductor Model | | C7 | |
|---|---|---|-------------------|-------------------|-------------------|----------------------------------|-----------------|----------------------------------|----------|------------|
| (Plug) L3/N/ _{LEMG} / _{NEMG} /PE | (Plug) L2/N/ _{LEMG} / _{NEMG} /PE | (Plug) L1/N/ _{LEMG} / _{NEMG} /PE | (Plug) L3/N/PE | (Plug) L2/N/PE | (Plug) L1/N/PE | | Addressing Type | P1 | | |
| | | | | | | Number of Conductors | 6 | | | |
| Order Code | Order Code | Order Code | Order Code | Order Code | Order Code | TAP-OFF PLUG | Cable | | | |
| 3196713 (*) | 3196712 (*) | 3196711 (*) | 3179155 | 3179154 | 3179153 | Description | Current | Cross Section (mm ²) | Type | Length (m) |
| 3196544 (*) | 3196543 (*) | 3196542 (*) | 3194589 | 3194588 | 3194587 | (BL) Simple - HF | 10 A | 3x0,75 (5x0,75) | 052XZ1-F | 0,75 |
| 3177345 (*) | 3177344 (*) | 3177343 (*) | 3177342 | 3177341 | 3177340 | (BL) Simple - Normal | | | H05VV-F | |
| 3196729 (*) | 3196728 (*) | 3196727 (*) | 3196716 | 3196715 | 3196714 | (B) Simple - HF | 16 A | 3x1,5 (5x1,5) | 052XZ1-F | |
| 3196570 | 3196569 | 3196568 | 3196557 | 3196556 | 3196555 | (B) Simple - Normal | | | H05VV-F | |
| 3196582 | 3196581 | 3196580 | 3179158 | 3179157 | 3179156 | (FS) Cartridge(Cylindrical) Sig. | 16 A | Without cable | | |
| | | | | | | (K) With Clips | 16 A | Without cable | | |

Cable cross-sections in parentheses are used in tap-off plugs marked (*).



(*) Terminal and Cartridge (Cylindrical) Fused plugs are manufactured as "Without cable".

►►KY-S - DALI Busbar Tap-Off Plug Selection Tables

Colour Definitions in Plugs

| LOWER HOUSING AND EAR | ADDRESSING TYPE (*) | UPPER HOUSING | PROPERTIES | CABLE GLAND | PHASE/CMD/SIGNAL |
|-----------------------|---------------------|-------------------|------------------------------|-------------|------------------|
| GRAY | P1 | LIGHT GRAY | SIMPLE AND WITH CLIPS | BROWN | L1 / S1 |
| LIGHT GRAY | P2 | TRANSPARENT SMOKY | CARTRIDGE (CYLINDRICAL) FUSE | BLACK | L2 / S2 |
| RED | P3 | | | GRAY | L / L3 / S3 |
| BLACK | P4 | | | ORANGE | L1 / L2 / L3 |
| | | | | YELLOW | DALI |

General Descriptions:

- The cross-section of the cable supplied with BL-10 A simple plugs is 0.75mm², its type is 052XZ1-F or H05VV-F, and its length is 75cm.
- The cross-section of the cable supplied with B-16 A simple plugs is 1.5mm², its type is 052XZ1-F or H05VV-F, and its length is 75cm.
- In FS-16 A Cartridge (Cylindrical) fused plugs, the fuse base is 5x20 mm and the cartridge is not included. It can be ordered separately as needed.
- In plugs with K-16 A Terminals, the terminals are suitable for cables with a cross-section of 1.5 - 2.5mm².

►KY-S DALI Busbar Tap-Off Plugs: **Table-08**

DALI + Power Plug
(Plug)
D1/D2/L/N/PE



| | |
|----------------------|----|
| Conductor Model | C8 |
| Addressing Type | P3 |
| Number of Conductors | 4 |

| Order Code |
|------------|
| 3196734 |
| 3196589 |
| 3196740 |
| 3196595 |
| 3196601 |
| 3196607 |

| TAP-OFF PLUG | | | | |
|----------------------------------|---------|----------------------------------|----------|------------|
| Description | Current | Cable | | |
| | | Cross-Section (mm ²) | Type | Length (m) |
| (BL) Simple - HF | 10 A | 5x0,75 | 052XZ1-F | 0,75 |
| (BL) Simple - Normal | | | H05VV-F | |
| (B) Simple - HF | 16 A | 5x1,5 | 052XZ1-F | |
| (B) Simple - Normal | | | H05VV-F | |
| (FS) Cartridge(Cylindrical) Fuse | 16 A | Without cable | | |
| (K) With Clips | 16 A | Without cable | | |

►KY-S DALI Busbar Tap-Off Plugs: **Table-09**

DALI +Emergency
(Emg.) Kit Supplied Power
Plugs (Common Neutral)
(Plug)
D1/D2/L/N/L_{EMG}/PE

DALI + Power Plug
(Plug)
D1/D2/L/N/PE



| | |
|----------------------|----|
| Conductor Model | C9 |
| Addressing Type | P3 |
| Number of Conductors | 5 |

| Order Code |
|-------------|
| 3196736 (*) |
| 3196591 (*) |
| 3196742 (*) |
| 3196597 (*) |
| 3196603 |
| 3196609 |

| Order Code |
|------------|
| 3196734 |
| 3196589 |
| 3196740 |
| 3196595 |
| 3196601 |
| 3196607 |

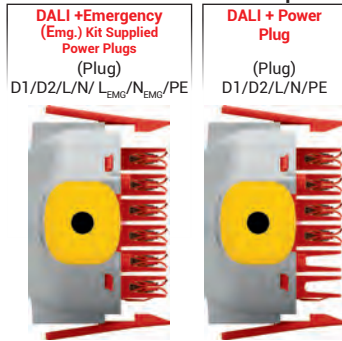
| TAP-OFF PLUG | | | | |
|----------------------------------|---------|----------------------------------|----------|------------|
| Description | Current | Cable | | |
| | | Cross-Section (mm ²) | Type | Length (m) |
| (BL) Simple - HF | 10 A | 5x0,75 (6x0,75) | 052XZ1-F | 0,75 |
| (BL) Simple - Normal | | | H05VV-F | |
| (B) Simple - HF | 16 A | 5x1,5 (6x1,5) | 052XZ1-F | |
| (B) Simple - Normal | | | H05VV-F | |
| (FS) Cartridge(Cylindrical) Fuse | 16 A | Without cable | | |
| (K) With Clips | 16 A | Without cable | | |

Cable cross-sections in parentheses are used in tap-off plugs marked (*).

ELINE KY-S-DALI

►►KY-S - DALI Busbar Tap-Off Plug Selection Tables

►KY-S DALI Busbar Tap-Off Plugs: Table-10



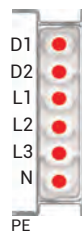
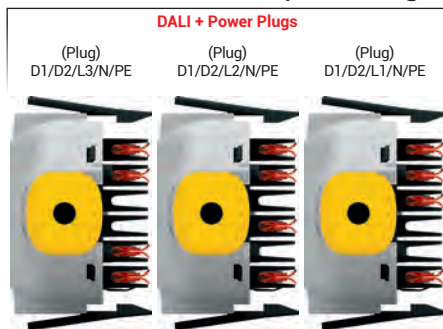
| | |
|----------------------|-----|
| Conductor Model | C10 |
| Addressing Type | P3 |
| Number of Conductors | 6 |

| Order Code | Order Code |
|-------------|------------|
| 3196735 (*) | 3196734 |
| 3196590 (*) | 3196589 |
| 3196741 (*) | 3196740 |
| 3196596 (*) | 3196595 |
| 3196602 | 3196601 |
| 3196608 | 3196607 |

| TAP-OFF PLUG | | | | |
|----------------------------------|---------|----------------------------------|----------|------------|
| Description | Current | Cable | | |
| | | Cross-Section (mm ²) | Type | Length (m) |
| (BL) Simple - HF | 10 A | 5x0,75 (7x0,75) | 052XZ1-F | 0,75 |
| (BL) Simple - Normal | | | H05VV-F | |
| (B) Simple - HF | 16 A | 5x1,5 (7x1,5) | 052XZ1-F | |
| (B) Simple - Normal | | | H05VV-F | |
| (FS) Cartridge(Cylindrical) Fuse | 16 A | Without cable | | |
| (K) With Clips | 16 A | Without cable | | |

Cable cross-sections in parentheses are used in tap-off plugs marked (*).

►KY-S DALI Busbar Tap-Off Plugs: Table-11

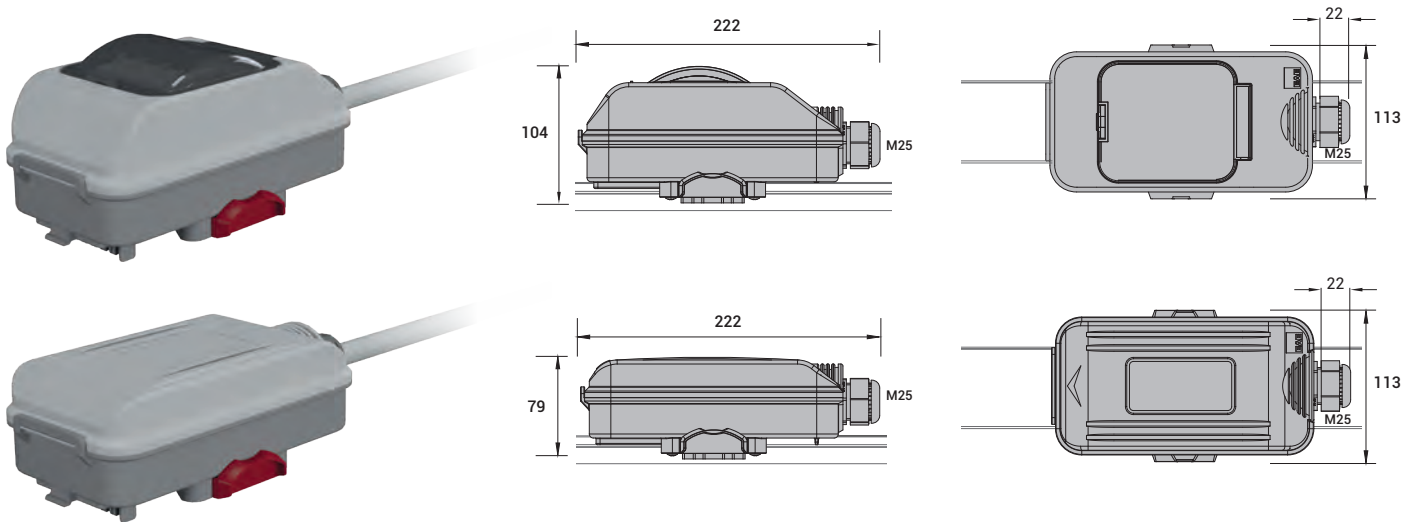


| | |
|----------------------|-----|
| Conductor Model | C11 |
| Addressing Type | P4 |
| Number of Conductors | 6 |

| Order Code | Order Code | Order Code |
|------------|------------|------------|
| 3196739 | 3196738 | 3196737 |
| 3196594 | 3196593 | 3196592 |
| 3196745 | 3196744 | 3196743 |
| 3196600 | 3196599 | 3196598 |
| 3196606 | 3196605 | 3196604 |
| 3196612 | 3196611 | 3196610 |

| TAP-OFF PLUG | | | | |
|----------------------------------|---------|----------------------------------|----------|------------|
| Description | Current | Cable | | |
| | | Cross-Section (mm ²) | Type | Length (m) |
| (BL) Simple - HF | 10 A | 5x0,75 | 052XZ1-F | 0,75 |
| (BL) Simple - Normal | | | H05VV-F | |
| (B) Simple - HF | 16 A | 5x1,5 | 052XZ1-F | |
| (B) Simple - Normal | | | H05VV-F | |
| (FS) Cartridge(Cylindrical) Fuse | 16 A | Without cable | | |
| (K) With Clips | 16 A | Without cable | | |

►►KY-S Busbar Tap-Off Box Selection Tables



► Colour Definitions in Tap-off Boxes

| LOWER HOUSING | ADDRESSING TYPE (*) |
|---------------|---------------------|
| DARK GRAY | P1 |
| LIGHT GRAY | P2 |

General Descriptions:

- In FS-32 A Cartridge (cylindrical) fused boxes, the fuse base is 10x38 mm and the cartridge is not included. It should be ordered separately as needed.
- In empty boxes suitable for (MCB)-S empty 32 A MCB, "DIN RAIL" is included, but MCB not included. It should be provided separately as needed.

CAUTION :

(*) The compatibility of the selected busbar and tap-off boxes is ensured by "addressing pins". If the selected box does not fit into the busbar current plug-in openings, please do not cut the pins.

►KY-S Busbar Tap-Off Boxes Table-01

(Empty) Power Tap-off Boxes suitable for MCB

| Conductor Model | C1 |
|----------------------|----|
| Addressing Type | P1 |
| Number of Conductors | 2 |

Cartridge (Cylindrical) Fuse Power Tap-off Boxes

►KY-S Busbar Tap-Off Boxes: Table-02

(Empty) Power Tap-off Boxes suitable for MCB

| Conductor Model | C2 |
|----------------------|----|
| Addressing Type | P2 |
| Number of Conductors | 3 |

Cartridge (Cylindrical) Fuse Power Tap-off Boxes

| Order Code | TAP-OFF BOXES | | | |
|------------|-----------------------------------|----------------------------------|-----------------------------|-----------|
| | Current | Cross Section (mm ²) | Terminal (mm ²) | Fuse Base |
| 3196687 | (S) Suitable for MCB (Empty) | | | |
| | 32 A | Without cable | - | DIN RAIL |
| 3196664 | (FS) Cartridge (Cylindrical) Fuse | | | |
| | 32 A | Without cable | 2,5-4 | 10x38mm |

| Order Code | TAP-OFF BOXES | | | |
|------------|-----------------------------------|----------------------------------|-----------------------------|-----------|
| | Current | Cross Section (mm ²) | Terminal (mm ²) | Fuse Base |
| 3196692 | (S) Suitable for MCB (Empty) | | | |
| | 32 A | Without cable | - | DIN RAIL |
| 3196669 | (FS) Cartridge (Cylindrical) Fuse | | | |
| | 32 A | Without cable | 2,5-4 | 10x38mm |

■ All dimensions are stated in "mm".

►►KY-S Busbar Tap-Off Box Selection Tables

►KY-S Busbar Tap-Off Boxes: Table-03

Power Tap-off Boxes

| | | | | |
|---|-------------------|-------------------|-------------------|-------------------|
| (Empty) Power Tap-off Boxes suitable for MCB | L1/L2/L3/N/PE | L3/N/PE | L2/N/PE | L1/N/PE |
| | | | | |
| Order Code | Order Code | Order Code | Order Code | Order Code |
| 3179160 | 3196686 | 3196685 | 3196684 | |
| 3196665 | 3196663 | 3196662 | 3196661 | |

Cartridge (Cylindrical) Fuse Power Tap-off Boxes

| | | | |
|-------------------|-------------------|-------------------|-------------------|
| L1/L2/L3/N/PE | L3/N/PE | L2/N/PE | L1/N/PE |
| | | | |
| Order Code | Order Code | Order Code | Order Code |
| 3196665 | 3196663 | 3196662 | 3196661 |

| | |
|-----------------------------|-----------|
| Conductor Model | C3 |
| Addressing Type | P1 |
| Number of Conductors | 4 |

| TAP-OFF BOXES | | | |
|-----------------------------------|----------------------------------|-----------------------------|-----------|
| Current | Cross Section (mm ²) | Terminal (mm ²) | Fuse Base |
| (S) Suitable for MCB (Empty) | | | |
| 32 A | Without cable | - | DIN RAIL |
| (FS) Cartridge (Cylindrical) Fuse | | | |
| 32 A | Without cable | 2,5-4 | 10x38mm |

►KY-S Busbar Tap-Off Boxes: Table-04

Emergency (Emg) Kit Supplied Power Tap-off Boxes

| | |
|---|--|
| (Empty) Power Tap-off Boxes suitable for MCB | L/N/L _{EMG} /N _{EMG} /PE |
| | |
| Order Code | Order Code |
| 3196701 | 3196697 |
| 3196678 | 3196674 |

Power Tap-off Boxes

| | |
|-------------------|-------------------|
| L/N/PE | L/N/PE |
| | |
| Order Code | Order Code |
| 3196697 | 3196674 |

Cartridge (Cylindrical) Fuse Power Tap-off Boxes

| | |
|--|-------------------|
| L/N/L _{EMG} /N _{EMG} /PE | L/N/PE |
| | |
| Order Code | Order Code |
| 3196678 | 3196674 |

| | |
|-----------------------------|-----------|
| Conductor Model | C4 |
| Addressing Type | P1 |
| Number of Conductors | 4 |

| TAP-OFF BOXES | | | |
|-----------------------------------|----------------------------------|-----------------------------|-----------|
| Current | Cross Section (mm ²) | Terminal (mm ²) | Fuse Base |
| (S) Suitable for MCB (Empty) | | | |
| 32 A | Without cable | - | DIN RAIL |
| (FS) Cartridge (Cylindrical) Fuse | | | |
| 32 A | Without cable | 2,5-4 | 10x38mm |

►►KY-S Busbar Tap-Off Box Selection Tables

►KY-S Busbar Tap-Off Boxes: **Table-05**

Power Tap-off Boxes

| | |
|----------------------|----|
| Conductor Model | C5 |
| Addressing Type | P2 |
| Number of Conductors | 5 |

(Empty) Power Tap-off Boxes suitable for MCB

Cartridge (Cylindrical) Fuse Power Tap-off Boxes

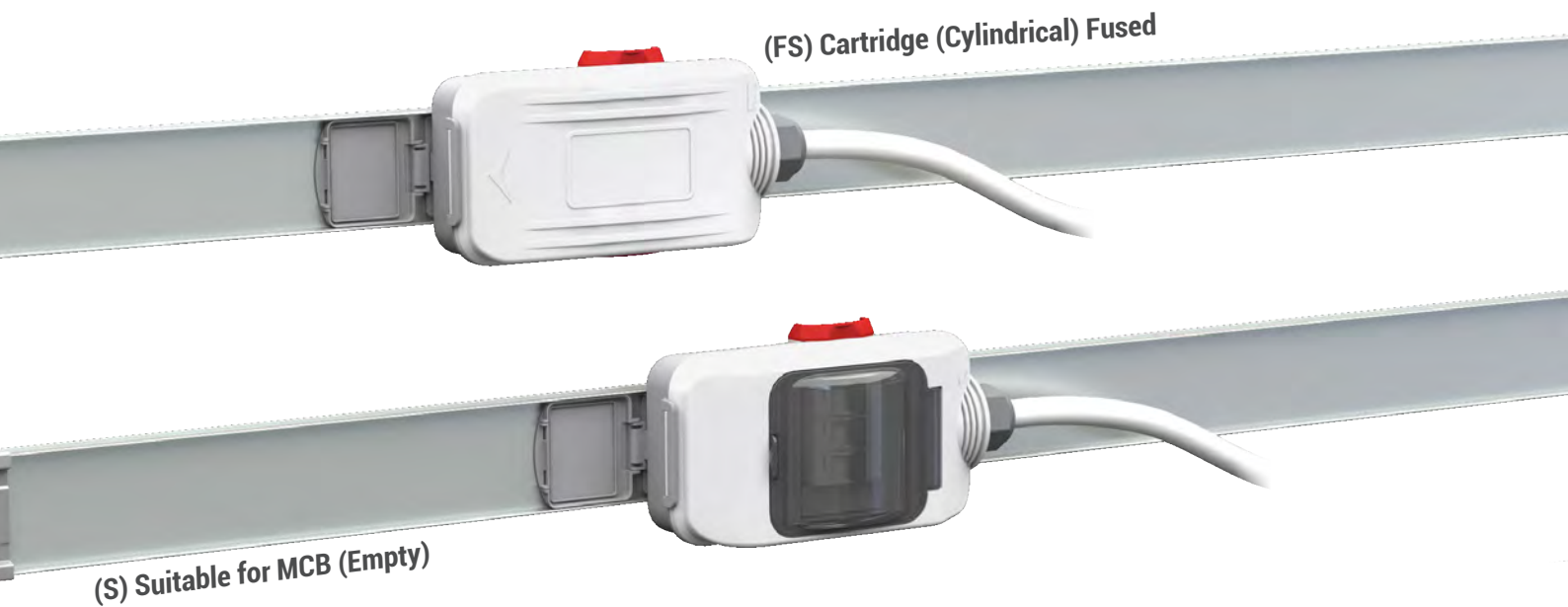
| |
|------------|
| Order Code |
| 3196693 |
| 3196670 |

| |
|------------|
| Order Code |
| 3196691 |
| 3196668 |

| |
|------------|
| Order Code |
| 3196690 |
| 3196667 |

| |
|------------|
| Order Code |
| 3196689 |
| 3196666 |

| TAP-OFF BOXES | | | |
|-----------------------------------|----------------------------------|-----------------------------|-----------|
| Current | Cross Section (mm ²) | Terminal (mm ²) | Fuse Base |
| (S) Suitable for MCB (Empty) | | | |
| 32 A | Without cable | - | DIN RAIL |
| (FS) Cartridge (Cylindrical) Fuse | | | |
| 32 A | Without cable | 2,5-4 | 10x38mm |



(*1) In FS-32 A Cartridge (cylindrical) fused boxes, the fuse base is 10x38 mm and the cartridge is not included. It should be ordered separately as needed

(*2) In empty boxes suitable for (MCB)-S empty 32 A MCB, "DIN RAY" is included, but MCB not included. It should be provided separately as needed.

►►KY-S Busbar Tap-Off Box Selection Tables

►KY-S Busbar Tap-Off Boxes: Table-06/1

Normal ve Emergency (Emg) Kit Supplied Power Tap-off Boxes (Ortak Nötr)

(Empty) Power Tap-off Boxes suitable for MCB

Empty Emergency Kit (Emg) Supplied Power Tap-Off Boxes (Common Neutral) suitable for MCB

| Order Code | Order Code | Order Code | Order Code |
|------------|------------|------------|------------|
| 3223575 | 3196696 | 3196695 | 3196694 |
| 3196706 | 3196705 | 3196704 | 3196703 |

| TAP-OFF BOXES | | |
|------------------------------|----------------------------------|-----------|
| Current | Cross Section (mm ²) | Fuse Base |
| (S) Suitable for MCB (Empty) | | |
| 32 A | Without cable | DIN RAIL |

►KY-S Busbar Tap-Off Boxes: Table-06/2

Normal and Emergency (Emg) Kit Supplied Power Tap-off Boxes (Common Neutral)

Cartridge (Cylindrical) Fuse Power Tap-off Boxes

Cartridge (Cylindrical) Fused Emergency (Emg) Kit Supplied Power Tap-off Boxes (Common Neutral)

| Order Code | Order Code | Order Code | Order Code |
|------------|------------|------------|------------|
| 3223576 | 3196673 | 3196672 | 3196671 |
| 3196683 | 3196682 | 3196681 | 3196680 |

| TAP-OFF BOXES | | |
|-----------------------------------|----------------------------------|-----------|
| Current | Cross Section (mm ²) | Fuse Base |
| (FS) Cartridge (Cylindrical) Fuse | | |
| 32 A | Without cable | 10x38mm |

►►KY-S Busbar Tap-Off Box Selection Tables

►KY-S Busbar Tap-Off Boxes: Table-07/1

Normal and Emergency (Emg) Kit Supplied Power Tap-off Boxes

(Empty) Power Tap-off Boxes suitable for MCB

Empty Emergency Kit (Emg) Supplied Power Tap-Off Boxes (Common Neutral) suitable for MCB

| | |
|----------------------|----|
| Conductor Model | C7 |
| Addressing Type | P1 |
| Number of Conductors | 6 |

| Order Code |
|------------|
| 3223575 |
| 3196702 |

| Order Code |
|------------|
| 3196696 |
| 3196700 |

| Order Code |
|------------|
| 3196695 |
| 3196699 |

| Order Code |
|------------|
| 3196694 |
| 3196698 |

| TAP-OFF BOXES | | |
|------------------------------|----------------------------------|-----------|
| Current | Cross Section (mm ²) | Fuse Base |
| (S) Suitable for MCB (Empty) | | |
| 32 A | Without cable | DIN RAIL |

►KY-S Busbar Tap-Off Boxes: Table-07/2

Normal and Emergency (Emg) Kit Supplied Power Tap-off Boxes

Cartridge (Cylindrical) Fuse Power Tap-off Boxes

Cartridge (Cylindrical) Fused Emergency (Emg) Kit Supplied Power Tap-off Boxes (Common Neutral)

| | |
|----------------------|----|
| Conductor Model | C7 |
| Addressing Type | P1 |
| Number of Conductors | 6 |

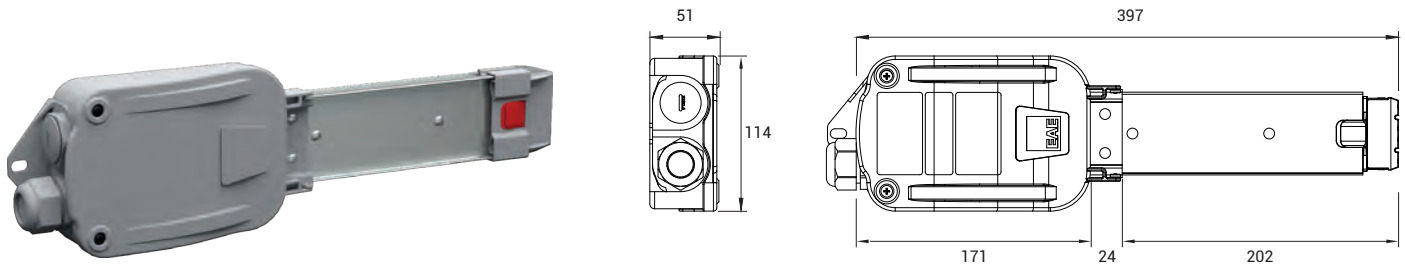
| Order Code |
|------------|
| 3223576 |
| 3196679 |

| Order Code |
|------------|
| 3196673 |
| 3196677 |

| Order Code |
|------------|
| 3196672 |
| 3196676 |

| Order Code |
|------------|
| 3196671 |
| 3196675 |

| TAP-OFF BOXES | | |
|-----------------------------------|----------------------------------|-----------|
| Current | Cross Section (mm ²) | Fuse Base |
| (FS) Cartridge (Cylindrical) Fuse | | |
| 32 A | Without cable | 10x38mm |



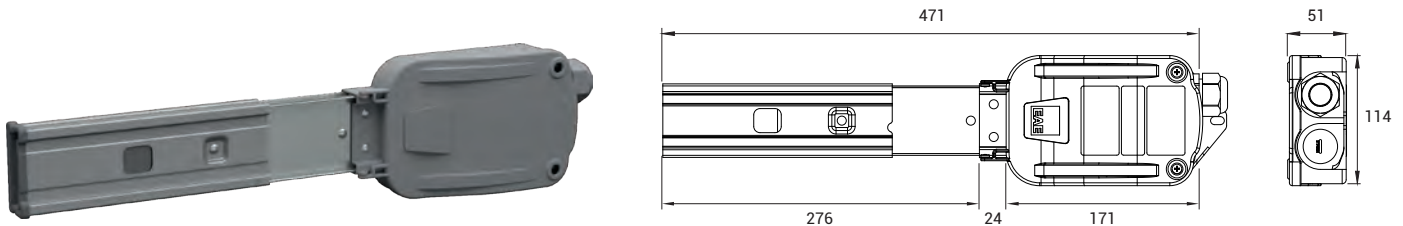
| Busbar | | Current (A) | Addressing Type | Item No | Conductor Configuration | | | | | | Unpainted | | Painted | |
|------------------|----------------------------|-------------|-----------------|---------|-------------------------|----|----|----|------------------|------------------|------------|---------------|------------|-----------------|
| Product Type | Conductor Model | | | | 1 | 2 | 3 | 4 | 5 | 6 | Order Code | Description | Order Code | Description |
| KY-S Busbar | C1 C3 C4 C6 C7 | 25 | P1 | 1 | L1 | L2 | L3 | N | L _{EMG} | N _{EMG} | 3197841 | KY-S-26-B1-P1 | 3197830 | KY-S-26-B1-B-P1 |
| | C2 C5 | | P2 | 2 | L1 | L2 | L3 | N | CPE | | 3178931 | KY-S-25-B1-P2 | 3197829 | KY-S-25-B1-B-P2 |
| KY-S-DALI Busbar | C8 C9 C10 | | P3 | 3 | D1 | D2 | L | N | L _{EMG} | N _{EMG} | 3197843 | KY-S-26-B1-P3 | 3197832 | KY-S-26-B1-B-P3 |
| | C11 | | P4 | 4 | D1 | D2 | L1 | L2 | L3 | N | 3197844 | KY-S-26-B1-P4 | 3197833 | KY-S-26-B1-B-P4 |

| | | | | | | | | | | | | | | |
|------------------|----------------------------|----|----|---|----|----|----|----|------------------|------------------|---------|---------------|---------|-----------------|
| KY-S Busbar | C1 C3 C4 C6 C7 | 40 | P1 | 1 | L1 | L2 | L3 | N | L _{EMG} | N _{EMG} | 3197981 | KY-S-46-B1-P1 | 3197971 | KY-S-46-B1-B-P1 |
| | C2 C5 | | P2 | 2 | L1 | L2 | L3 | N | CPE | | 3178933 | KY-S-45-B1-P2 | 3197970 | KY-S-45-B1-B-P2 |
| KY-S-DALI Busbar | C8 C9 C10 | | P3 | 3 | D1 | D2 | L | N | L _{EMG} | N _{EMG} | 3197984 | KY-S-46-B1-P3 | 3197973 | KY-S-46-B1-B-P3 |
| | C11 | | P4 | 4 | D1 | D2 | L1 | L2 | L3 | N | 3197986 | KY-S-46-B1-P4 | 3197974 | KY-S-46-B1-B-P4 |

| | | | | | | | | | | | | | | |
|-------------|----------------------------|----|----|---|----|----|----|---|------------------|------------------|---------|---------------|---------|-----------------|
| KY-S Busbar | C1 C3 C4 C6 C7 | 63 | P1 | 1 | L1 | L2 | L3 | N | L _{EMG} | N _{EMG} | 3198022 | KY-S-66-B1-P1 | 3198013 | KY-S-66-B1-B-P1 |
| | C2 C5 | | P2 | 2 | L1 | L2 | L3 | N | CPE | | 3178935 | KY-S-65-B1-P2 | 3198012 | KY-S-65-B1-B-P2 |

■ KY-S Busbar "DALI" versions is not manufactured in 63A. If necessary, please contact our company.

■ All dimensions are stated in "mm".



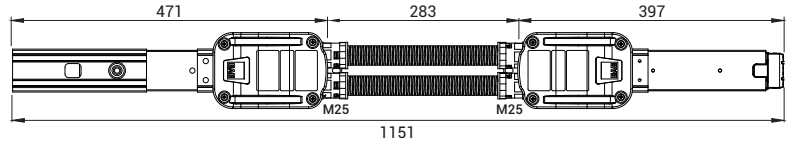
| Busbar | | Current (A) | Addressing Type | Item No | Conductor Configuration | | | | | | Unpainted | | Painted | |
|------------------|----------------------------|-------------|-----------------|---------|-------------------------|----|----|----|------------------|------------------|------------|---------------|------------|-----------------|
| Product Type | Conductor Model | | | | 1 | 2 | 3 | 4 | 5 | 6 | Order Code | Description | Order Code | Description |
| KY-S Busbar | C1 C3 C4 C6 C7 | 25 | P1 | 1 | L1 | L2 | L3 | N | L _{EMG} | N _{EMG} | 3197866 | KY-S-26-B2-P1 | 3197853 | KY-S-26-B2-B-P1 |
| | C2 C5 | | P2 | 2 | L1 | L2 | L3 | N | CPE | | 3178932 | KY-S-25-B2-P2 | 3197852 | KY-S-25-B2-B-P2 |
| KY-S-DALI Busbar | C8 C9 C10 | | P3 | 3 | D1 | D2 | L | N | L _{EMG} | N _{EMG} | 3197868 | KY-S-26-B2-P3 | 3197855 | KY-S-26-B2-B-P3 |
| | C11 | | P4 | 4 | D1 | D2 | L1 | L2 | L3 | N | 3197870 | KY-S-26-B2-P4 | 3197856 | KY-S-26-B2-B-P4 |

| | | | | | | | | | | | | | | |
|------------------|----------------------------|----|----|---|----|----|----|----|------------------|------------------|---------|---------------|---------|-----------------|
| KY-S Busbar | C1 C3 C4 C6 C7 | 40 | P1 | 1 | L1 | L2 | L3 | N | L _{EMG} | N _{EMG} | 3198003 | KY-S-46-B2-P1 | 3197988 | KY-S-46-B2-B-P1 |
| | C2 C5 | | P2 | 2 | L1 | L2 | L3 | N | CPE | | 3178934 | KY-S-45-B2-P2 | 3197987 | KY-S-45-B2-B-P2 |
| KY-S-DALI Busbar | C8 C9 C10 | | P3 | 3 | D1 | D2 | L | N | L _{EMG} | N _{EMG} | 3198005 | KY-S-46-B2-P3 | 3197990 | KY-S-46-B2-B-P3 |
| | C11 | | P4 | 4 | D1 | D2 | L1 | L2 | L3 | N | 3198006 | KY-S-46-B2-P4 | 3197991 | KY-S-46-B2-B-P4 |

| | | | | | | | | | | | | | | |
|-------------|----------------------------|----|----|---|----|----|----|---|------------------|------------------|---------|---------------|---------|-----------------|
| KY-S Busbar | C1 C3 C4 C6 C7 | 63 | P1 | 1 | L1 | L2 | L3 | N | L _{EMG} | N _{EMG} | 3198041 | KY-S-66-B2-P1 | 3198033 | KY-S-66-B2-B-P1 |
| | C2 C5 | | P2 | 2 | L1 | L2 | L3 | N | CPE | | 3178936 | KY-S-65-B2-P2 | 3198032 | KY-S-65-B2-B-P2 |

■ KY-S Busbar “DALI” versions is not manufactured in 63A. If necessary, please contact our company.

■ All dimensions are stated in “mm”.



| Busbar | | Current (A) | Unpainted | | Painted | |
|------------------|-----------------|-------------|------------|-------------|------------|--------------|
| Product Type | Conductor Model | | Order Code | Description | Order Code | Description |
| KY-S Busbar | C1 | 25 | 3179682 | KY-S 26-FD | 3201403 | KY-S 26-B-FD |
| | C2 | | | | | |
| | C3 | | | | | |
| | C4 | | | | | |
| | C5 | | | | | |
| | C6 | | | | | |
| | C7 | | | | | |
| KY-S-DALI Busbar | C8 | | | | | |
| | C9 | | | | | |
| | C10 | | | | | |
| | C11 | | | | | |

| | | | | | | |
|------------------|-----|----|---------|------------|---------|--------------|
| KY-S Busbar | C1 | 40 | 3178937 | KY-S 46-FD | 3201404 | KY-S 46-B-FD |
| | C2 | | | | | |
| | C3 | | | | | |
| | C4 | | | | | |
| | C5 | | | | | |
| | C6 | | | | | |
| | C7 | | | | | |
| KY-S-DALI Busbar | C8 | | | | | |
| | C9 | | | | | |
| | C10 | | | | | |
| | C11 | | | | | |

| | | | | | | |
|-------------|----|----|---------|------------|---------|--------------|
| KY-S Busbar | C1 | 63 | 3178938 | KY-S 66-FD | 3201405 | KY-S 66-B-FD |
| | C2 | | | | | |
| | C3 | | | | | |
| | C4 | | | | | |
| | C5 | | | | | |
| | C6 | | | | | |
| | C7 | | | | | |

(*) Flexible Elbow for 63A KY-S and KY-S-DALI Busbar.

(**) Flexible Elbow for 25A-40A KY-S and KY-S-DALI Busbar.

ELINE KY-S

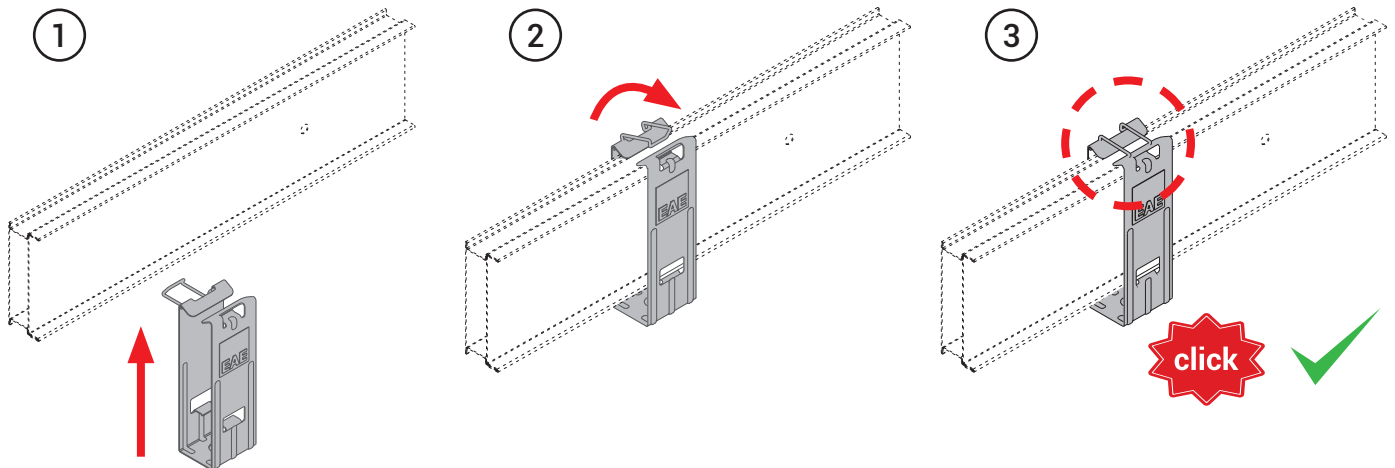
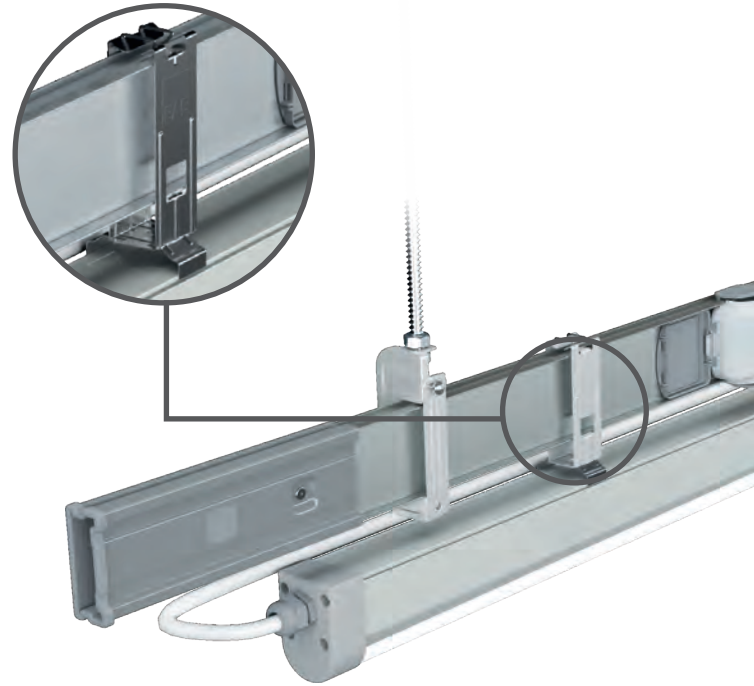
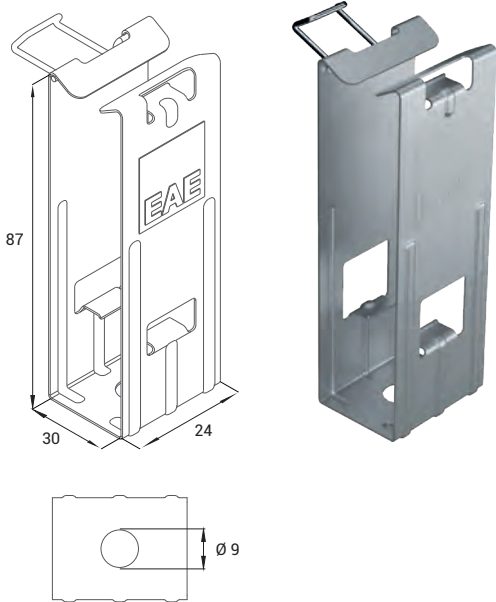
►► Busbar and Fitting Brackets

► U Hanger (KY-S)



Luminaire Hanger

| Description | ORDER CODE |
|-----------------------------|------------|
| U Hanger - Unpainted (KY-S) | 3141733 |
| U Hanger - Painted (KY-S) | 3241417 |



■ All dimensions are stated in "mm".

ELINE KY-S

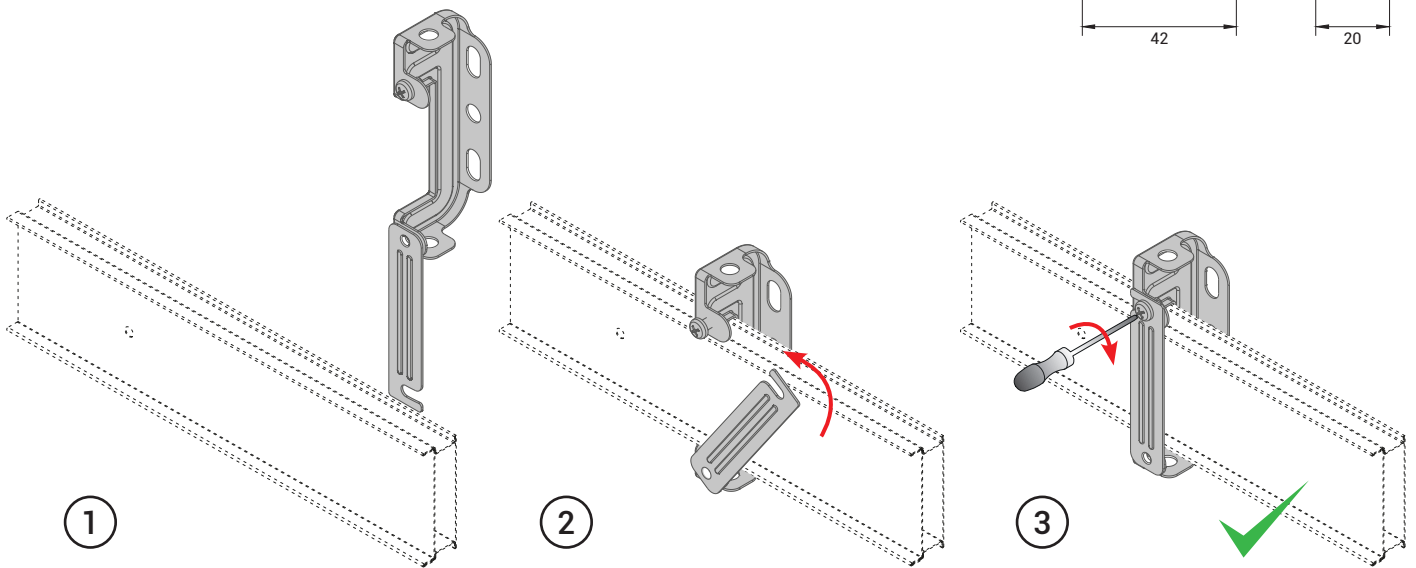
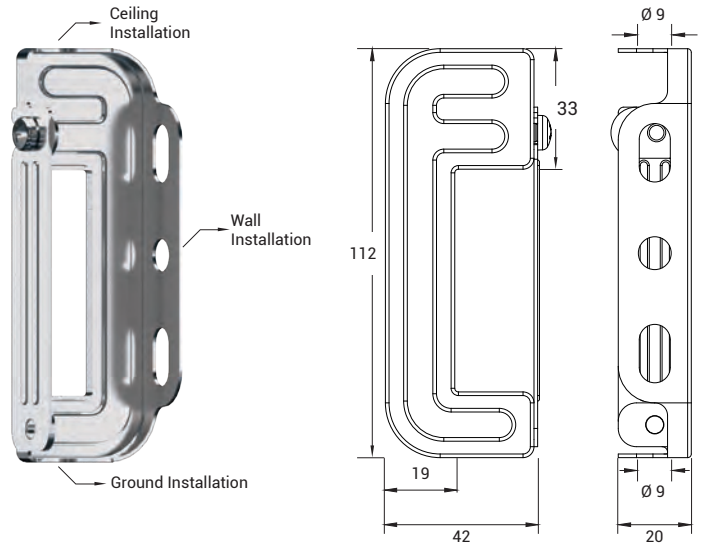
►► Busbar and Fitting Brackets

► Universal Fitting Bracket (KY-S)



Busbar Hanger

| Description | ORDER CODE |
|---|------------|
| Universal Fitting Bracket (KY-S)- Unpainted | 3177557 |
| Universal Fitting Bracket (KY-S)- Painted | 3241418 |



CAUTION : In long KY-S busbar lines, rigid hangers should be used at maximum every 25 meters to prevent lateral vibration and oscillation.



CAUTION: The installation of the line must never be carried out with the windows facing downward.

■ All dimensions are stated in "mm".

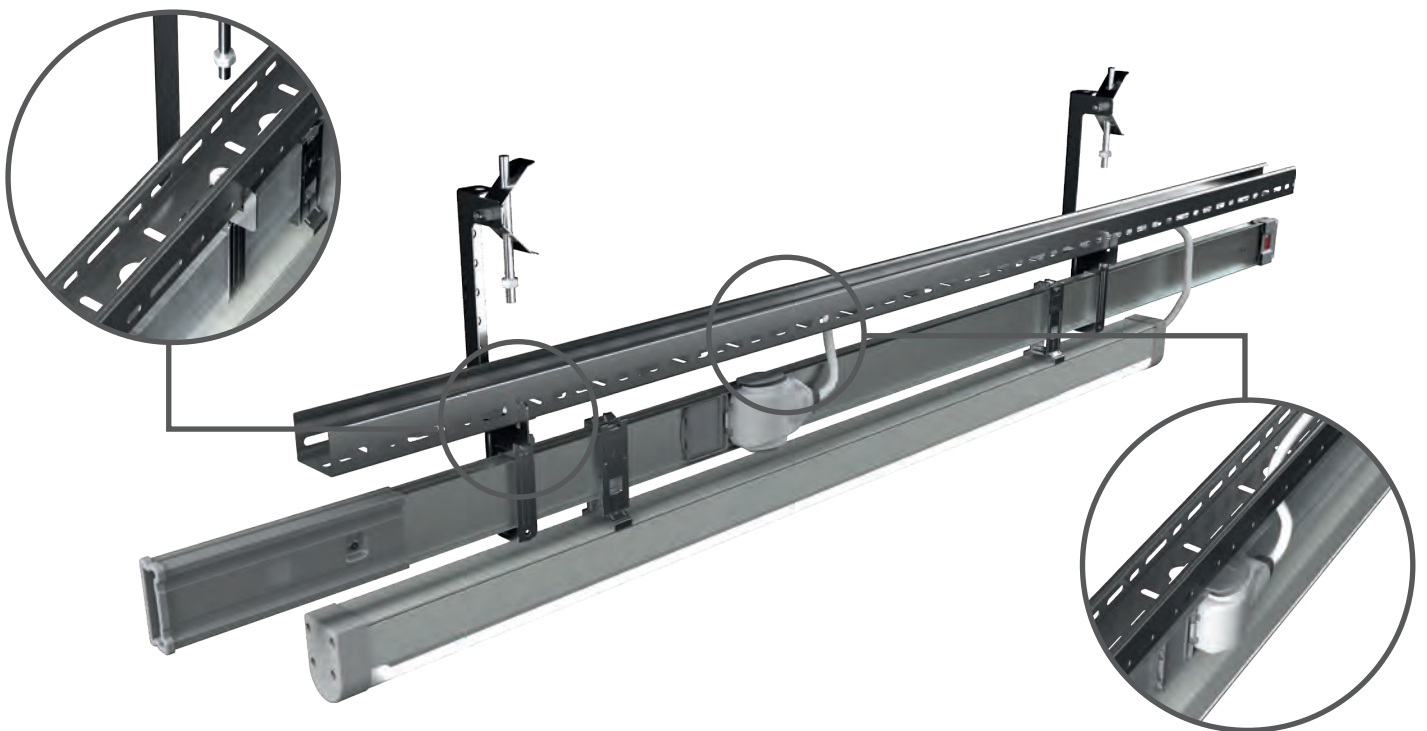
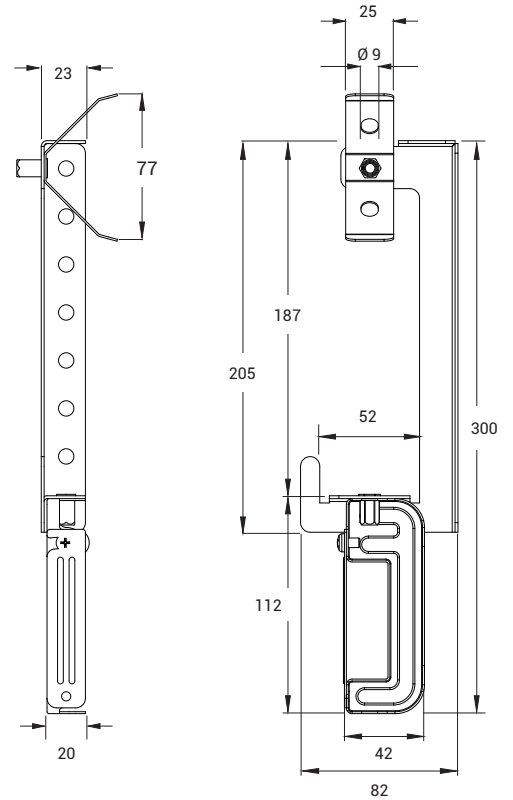
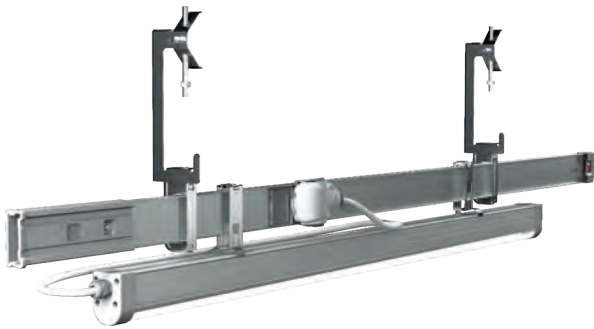
ELINE KY-S

►► Busbar and Fitting Brackets

► Multifunctional Hanger (KY-S)



| Description | ORDER CODE |
|---|------------|
| Multifunctional Bracket (KY-S)- Unpainted | 3241413 |
| Multifunctional Bracket (KY-S)- Painted | 3241419 |



■ All dimensions are stated in "mm".

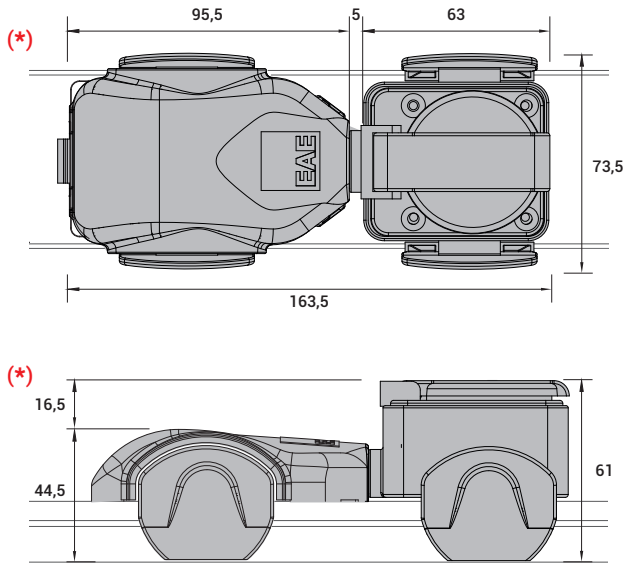
ELINE KY-S



►► Accessories

► Integrated Cartridge Fused Tap-Off Plug with Schuko Socket Adapter (240V, L/N/PE, 1x16A Socket Included)

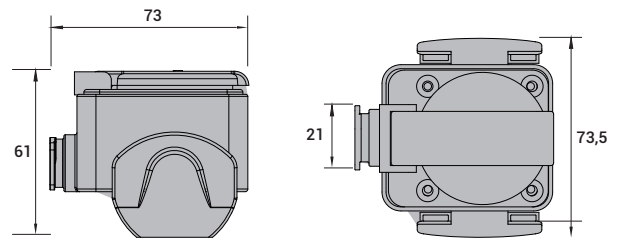
| Description | ORDER CODE |
|-------------------------------|------------|
| KY 16A-FS Power Plug - L1- P1 | 3247085 |
| KY 16A-FS Power Plug - L2- P1 | 3247086 |
| KY 16A-FS Power Plug - L3- P1 | 3247088 |



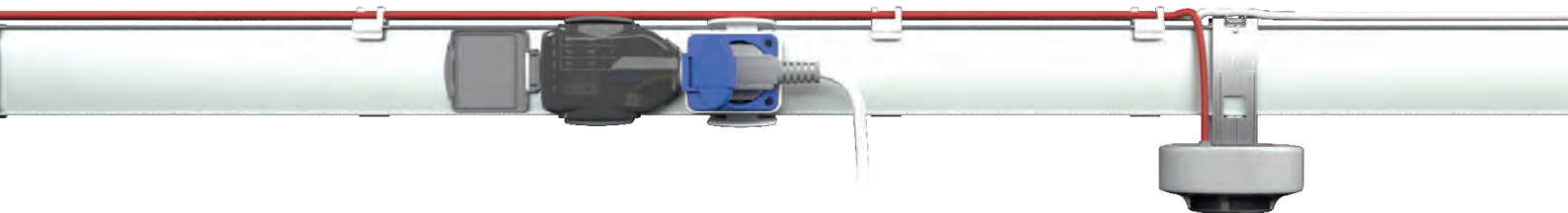
(*) With Tap-Off Plug: 20x5mm and 15A cylindrical fuse cartridges are included.

► Schuko Socket Adapter (Including Socket)

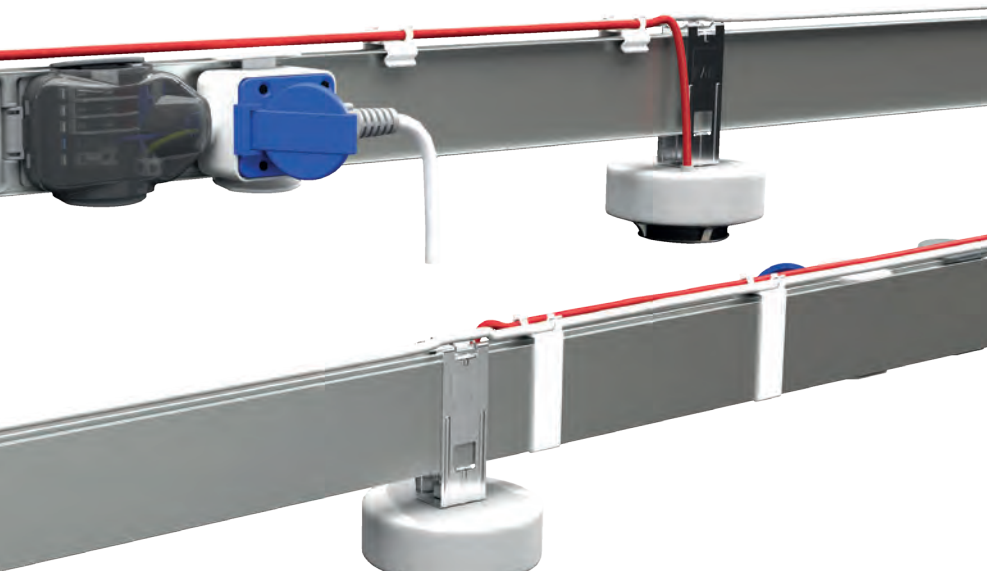
| Description | ORDER CODE |
|---------------------------|------------|
| KY- Schuko Socket Adapter | 2111756 |



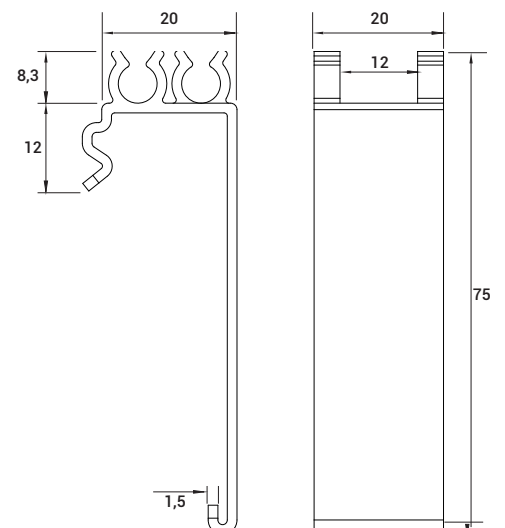
■ Tap-Off Plug is not included in the adapter and should be ordered separately if needed.



► KY-S Cable Clip



| Description | ORDER CODE |
|-----------------|------------|
| KY-S Cable Clip | 1037888 |



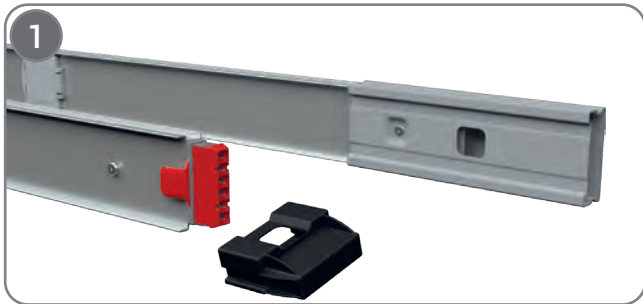
■ All dimensions are stated in "mm".

ELINE KY-S

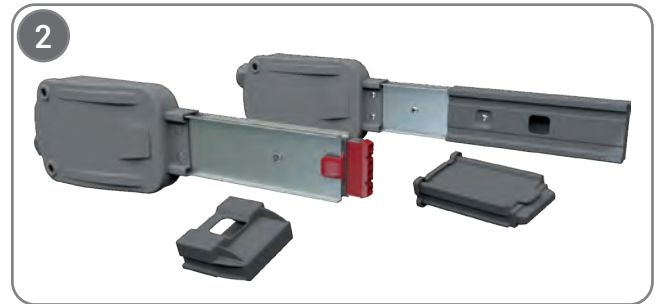


►► Protection and End Closer Covers

Note: Be sure to use the end closer plastics during installation.



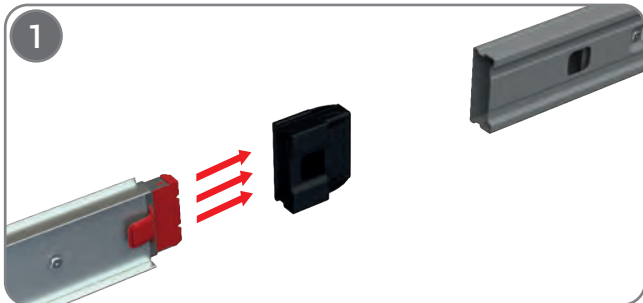
The **protection** plastics is in "black" colour and is supplied on the busbar. It will be discarded before assembly.



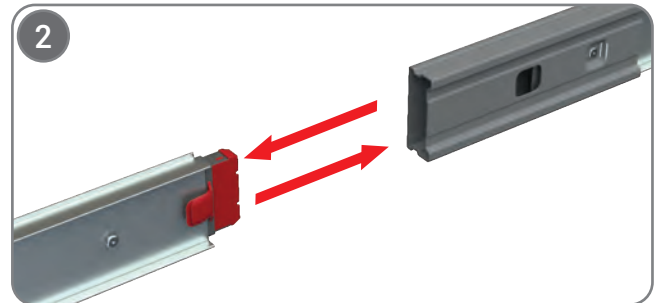
The **end closer** plastics are in "gray" and are supplied on the feeders. It will be disassembled before installation and used as an end closer.

►► Installing Busbar Joint

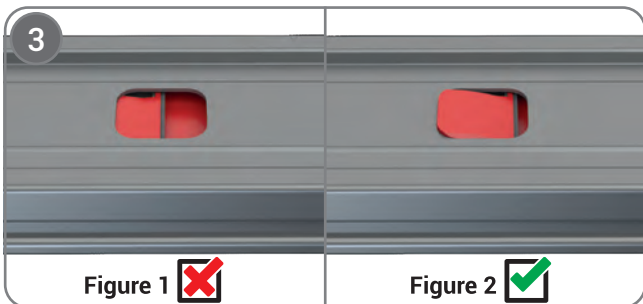
Note: There is no need for any other operation such as bolt tightening and hand tools.



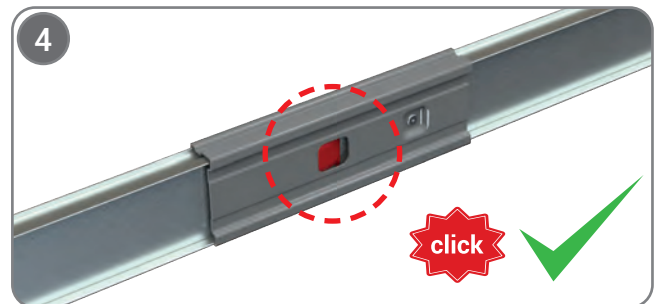
Remove and discard the protection plastics on the busbars.



Slide one end of the busbar into the joint module on the other side.



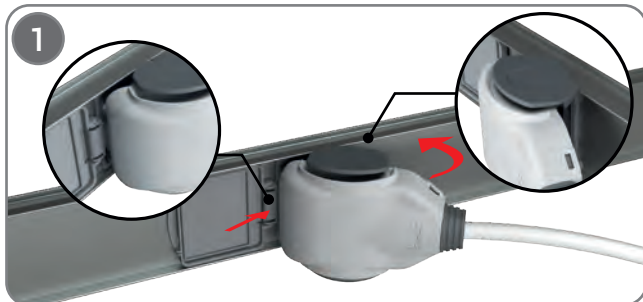
Quickly push the two busbars so that they are clamped as in Figure 2.



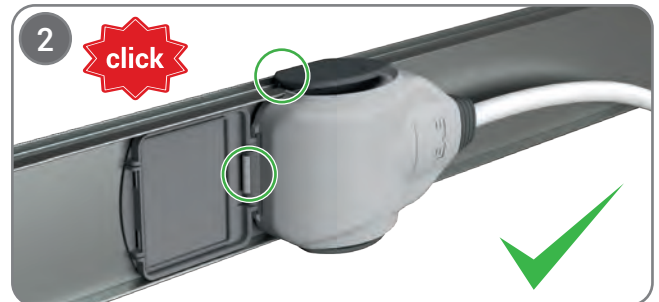
Make sure you hear the clicking sound for correct connection.

►► Simple Tap-Off Plug Installation

Note: Simple plugs are supplied with the cable attached, ready to use.



Open the closed plug-in opening cover on the busbar. The tap off plug should be installed in the direction as stated in the figure. Tabs which located on the edge of the tap off plug must be installed to the current output windows which located on busbar itself with an angular position. Tap off plug should be positioned parallel to the busbar.

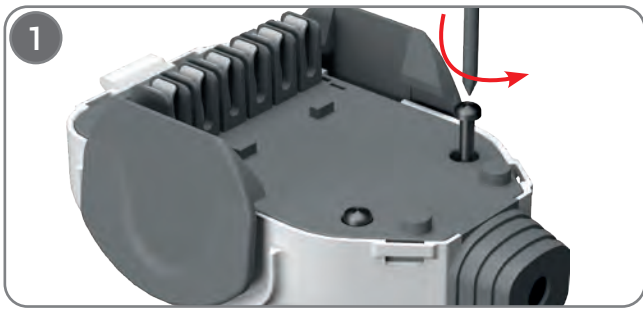


Spring type parts located on the edges of the tap off plug should be installed by pressing to the busbar by making sure of its totally merged.

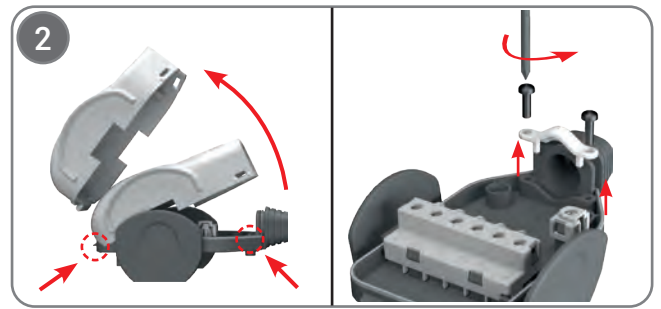
(Caution: Make sure fixing the plug to the busbar properly.)

ELINE KY-S

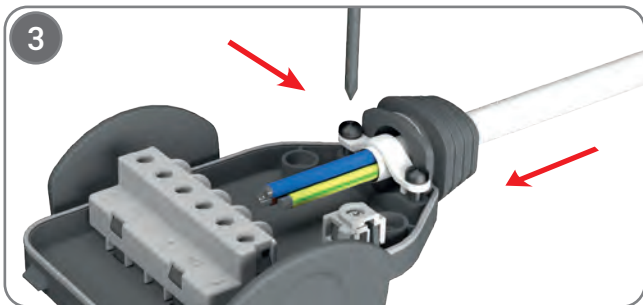
▶▶ Tap-off Plugs with clips/Cylindrical Fuse Installation



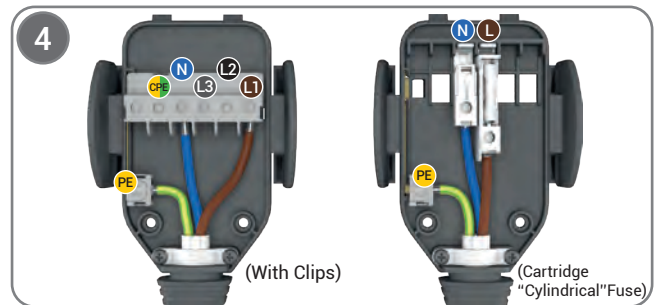
Turn the plug to be used upside down and remove two screws at bottom.



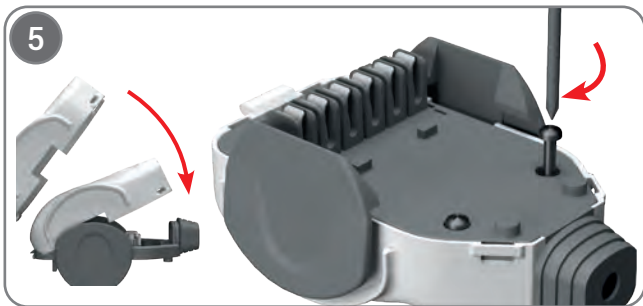
Remove the plug cover as shown in the figure. Remove the cable clamp by unscrewing the two screws.



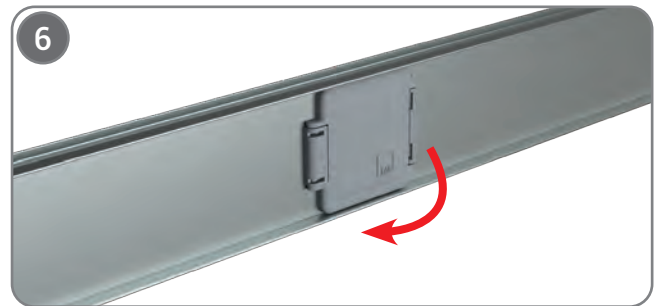
Pass the cable through the cable gland that provides IP protection to the plug and tighten both screws sufficiently by seating the cable clamp into place.



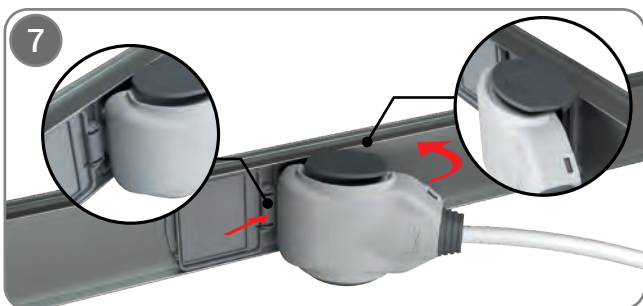
Please connect the yellow/green protective conductor to the earthing (PE) terminal, the blue neutral conductor cable to the neutral (N) terminal, and the other phase cable(s) to the relevant phase (L1, L2, L3) terminals. (**Caution:** Make sure that the terminal screws are tightened enough.)



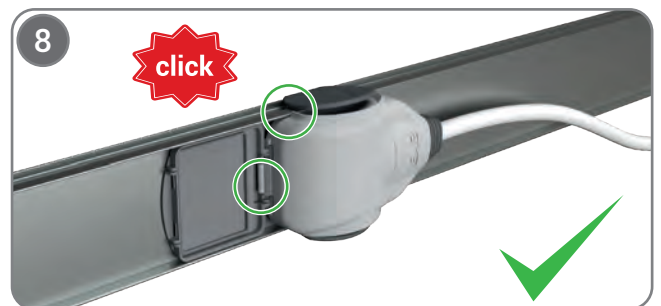
Replace the plug cover, turn the plug upside down and replace the two screws on the back.



Open the closed plug-in opening cover on the busbar.



The tap off plug should be installed in the direction as stated in the figure. Tabs which located on the edge of the tap off plug must be installed to the current output windows which located on busbar itself with an angular position. Tap off plug should be positioned parallel to the busbar.



Spring type parts located on the edges of the tap off plug should be installed by pressing to the busbar by making sure of its totally merged.

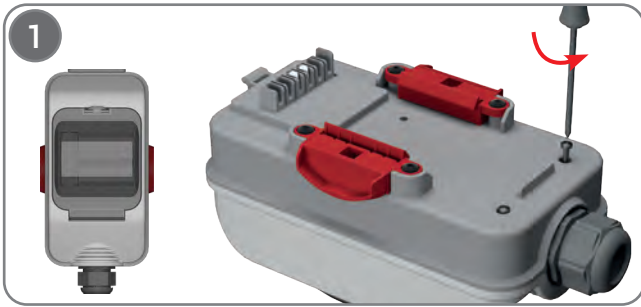
(**Caution:** Make sure fixing the plug to the busbar properly.)

ELINE KY-S

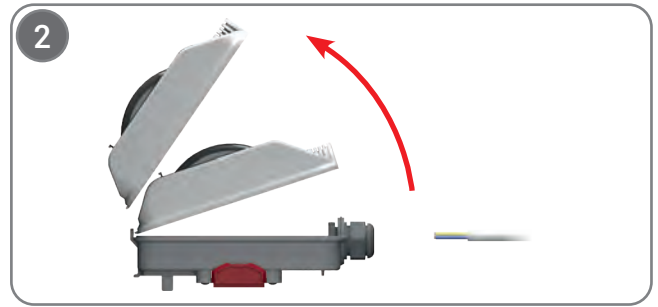


▶▶ Miniature Circuit Breaker (MCB) Tap-Off Box Installation

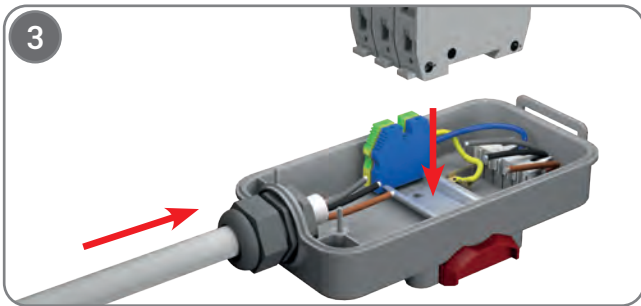
Note: Miniature circuit breaker (MCB) is not included in the product and is supplied as an empty DIN rail box. MCB must be ordered separately.



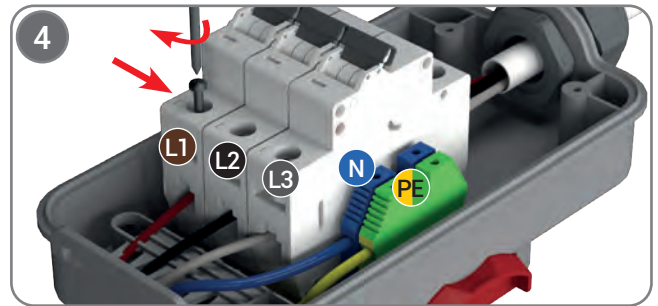
Turn the box to be used upside down and remove two screws at bottom.



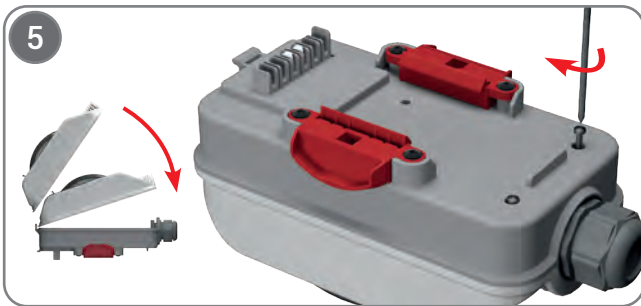
Open the cover of the box as shown in the figure and take it out.



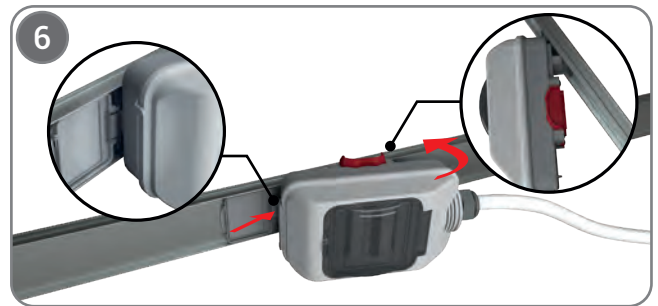
Pass the cable through the cable gland that provides IP protection to the box. Install the miniature circuit breaker (MCB) not exceeding the maximum 32A on the existing DIN rail in the box. (MCB should be in the "off" position.)



Please connect the yellow protective conductor to the earthing (PE) terminal, the blue neutral conductor cable to the neutral (N) terminal, and the other cables to the relevant phase (L1, L2, L3) terminals. Connect the existing cable ends to the contacts to the input terminals of the MCB in the same way. Complete the operation by tightening the cable gland sufficiently. **(Caution:** Make sure that the terminal screws are tightened enough.)



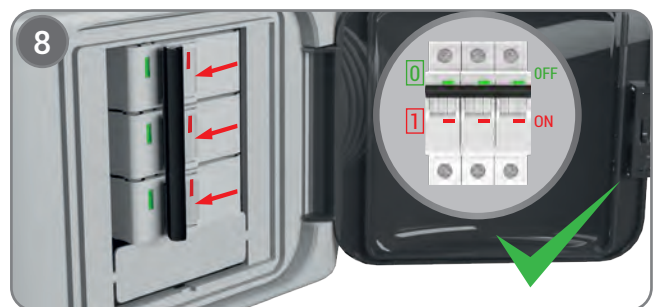
Replace the plug cover, turn the plug upside down and replace the two screws on the back.



Open the closed plug-in opening on the busbar. The insertion direction of the box should be as shown in the figure. Tabs which located on the edge of the tap off box must be installed to the current output windows which located on busbar itself with an angular position. Tap off box should be positioned parallel to the busbar.



Spring type parts which located on the edges of the tap off box should be installed by pressing to the busbar by making sure of its totally merged. **(Caution:** Make sure fixing the tap off box to the busbar properly.)

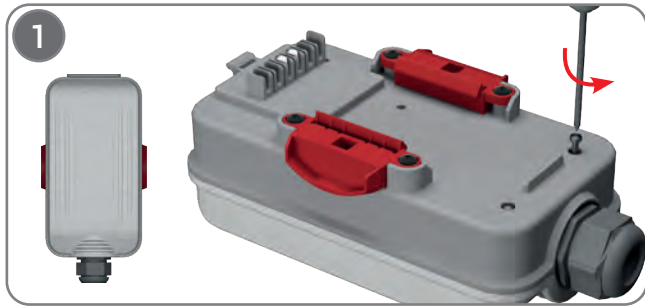


Switch miniature circuit breaker (MCB) to "ON" position and close the transparent cover.

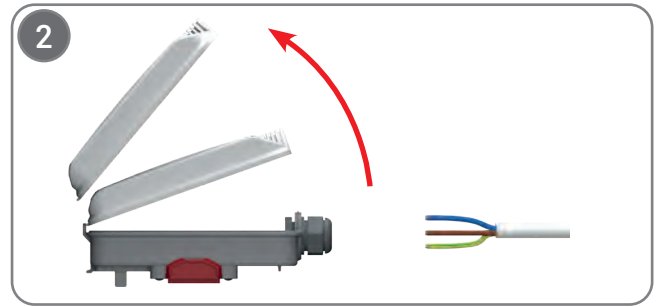
ELINE KY-S

▶▶ Tap-Off Box with Cartridge (Cylindrical) Fuse Installation

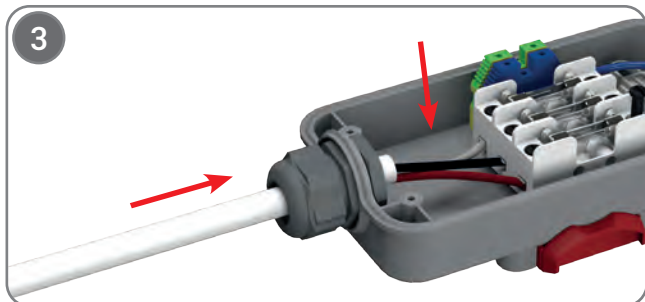
Note: In boxes with cartridge (cylindrical) fuses, a 10x30mm fuse base is included in the product, but the fuse cartridge is not included. The cylindrical fuse cartridge must be ordered separately.



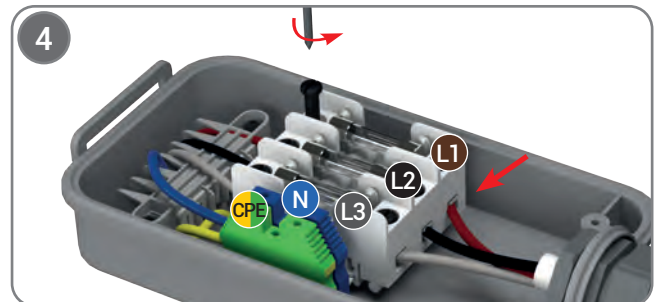
Turn the box to be used upside down and remove two screws at bottom.



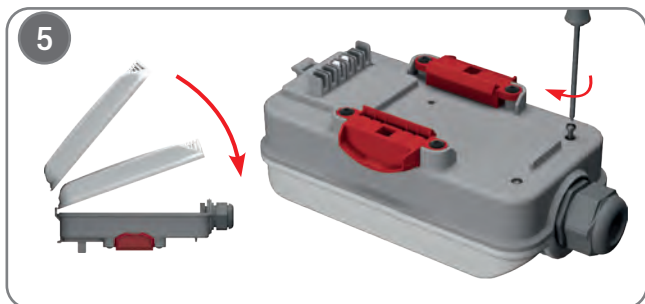
Open the cover of the box as shown in the figure and take it out.



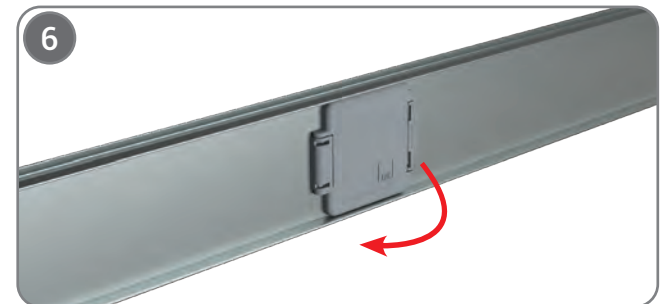
Pass the cable through the cable gland that provides IP protection to the box. Install cartridge (cylindrical) fuses up to a maximum of 32A on 10x38 mm bases.



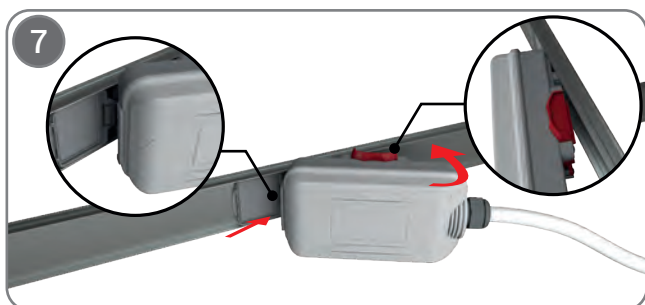
Please connect the yellow protective conductor to the earthing (PE) terminal, the blue neutral conductor cable to the neutral (N) terminal, and the other cables to the relevant phase (L1, L2, L3) terminals. Complete the operation by tightening the cable gland sufficiently. **(Caution:** Make sure that the terminal screws are tightened enough.)



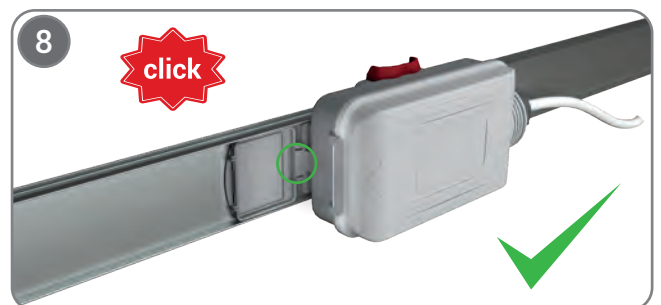
Replace the box cover, turn the box upside down and replace the two screws on the back.



Open the closed plug-in opening cover on the busbar.



The tap off box should be installed in the direction as stated in the figure. Tabs which located on the edge of the tap off box must be installed to the current output windows which located on busbar itself with an angular position. Tap off box should be positioned parallel to the busbar.



Spring type parts which located on the edges of the tap off box should be installed by pressing to the busbar by making sure of its totally merged. **(Caution:** Make sure fixing the tap off box to the busbar properly.)

E-LINE KY-S

Busbar Systems
25A - 40A - 63A

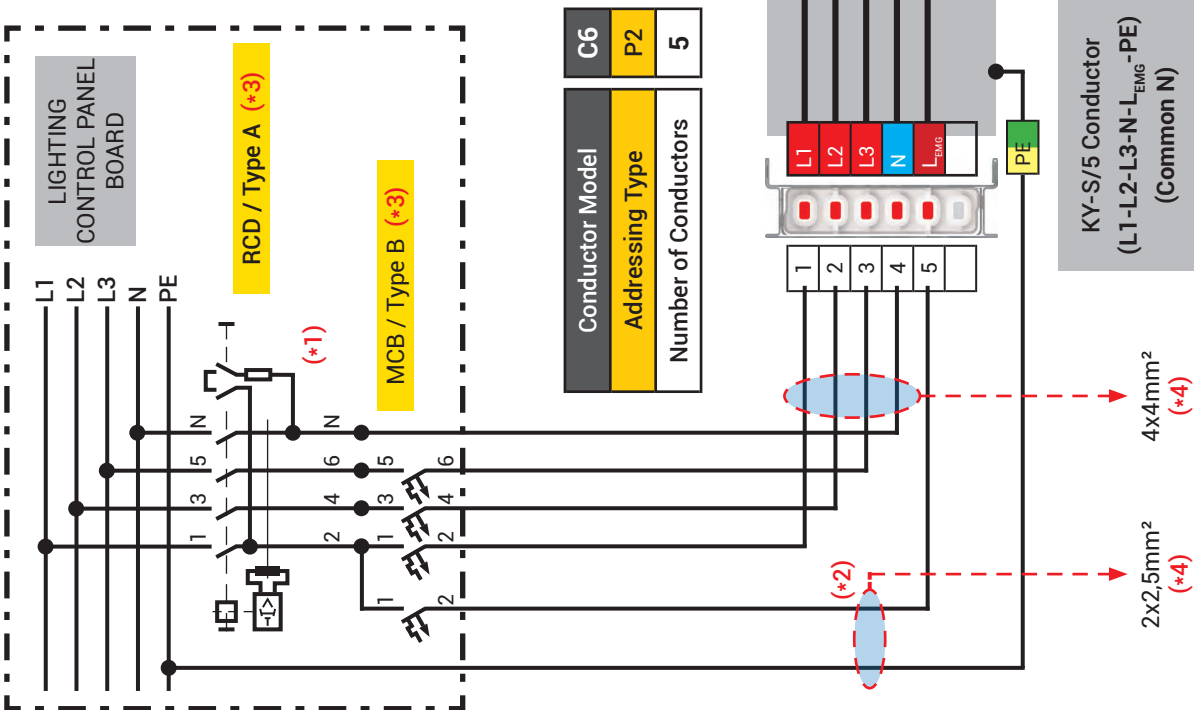


►►KY-S BUSBAR (5 CONDUCTORS/L1-L2-L3-N-LEMG-PE housing) PRINCIPLE CONNECTION CIRCUIT DIAGRAM (Common Neutral) WITH RESIDUAL CURRENT DEVICE (RCD)

CAUTION : If there is a Residual Current Device (RCD) in the circuit !..

IMPORTANT NOTES :

- (*1): When using the common neutral busbar, if a residual current device (RCD) is to be used in the circuit, each line miniature circuit breakers (MCB) should be installed after the RCD as seen in the figure.
- (*2): The emergency kit reference voltage (LEMG) must not be switched.
- (*3): For "MCB" and "RCD" types and current-voltage values, the selection criteria defined in IEC 60364-4-43 should be taken as basis.
- (*4): The cable cross-sections are given as examples. The selection criteria defined in IEC 60364 should be taken as basis.
- (*5): In the circuits in which a Residual Current Device (RCD) is used, for luminaires with Emergency kit, the kit and the fixture supply must be in the same phase.



| |
|----------------------|
| Power Plug (L1-N-PE) |
| Power Plug (L2-N-PE) |
| Power Plug (L3-N-PE) |

| |
|---------------------------|
| Power Plug (L1-N-LEMG-PE) |
| Power Plug (L2-N-LEMG-PE) |
| Power Plug (L3-N-LEMG-PE) |

| |
|---|
| Power + EMG Branch Box (L1-L2-L3-N-LEMG-PE) |
|---|

| | |
|----------------------|----|
| Conductor Model | C6 |
| Addressing Type | P2 |
| Number of Conductors | 5 |

| |
|--|
| KY-S/5 Conductor (L1-L2-L3-N-LEMG-PE) (Common N) |
|--|

2x2,5mm² (*4)
4x4mm² (*4)

| | | | | | |
|----|----|----|---|------|----|
| L1 | L2 | L3 | N | LEMG | PE |
|----|----|----|---|------|----|

| | | | |
|----|---|------|----|
| L1 | N | LEMG | PE |
|----|---|------|----|

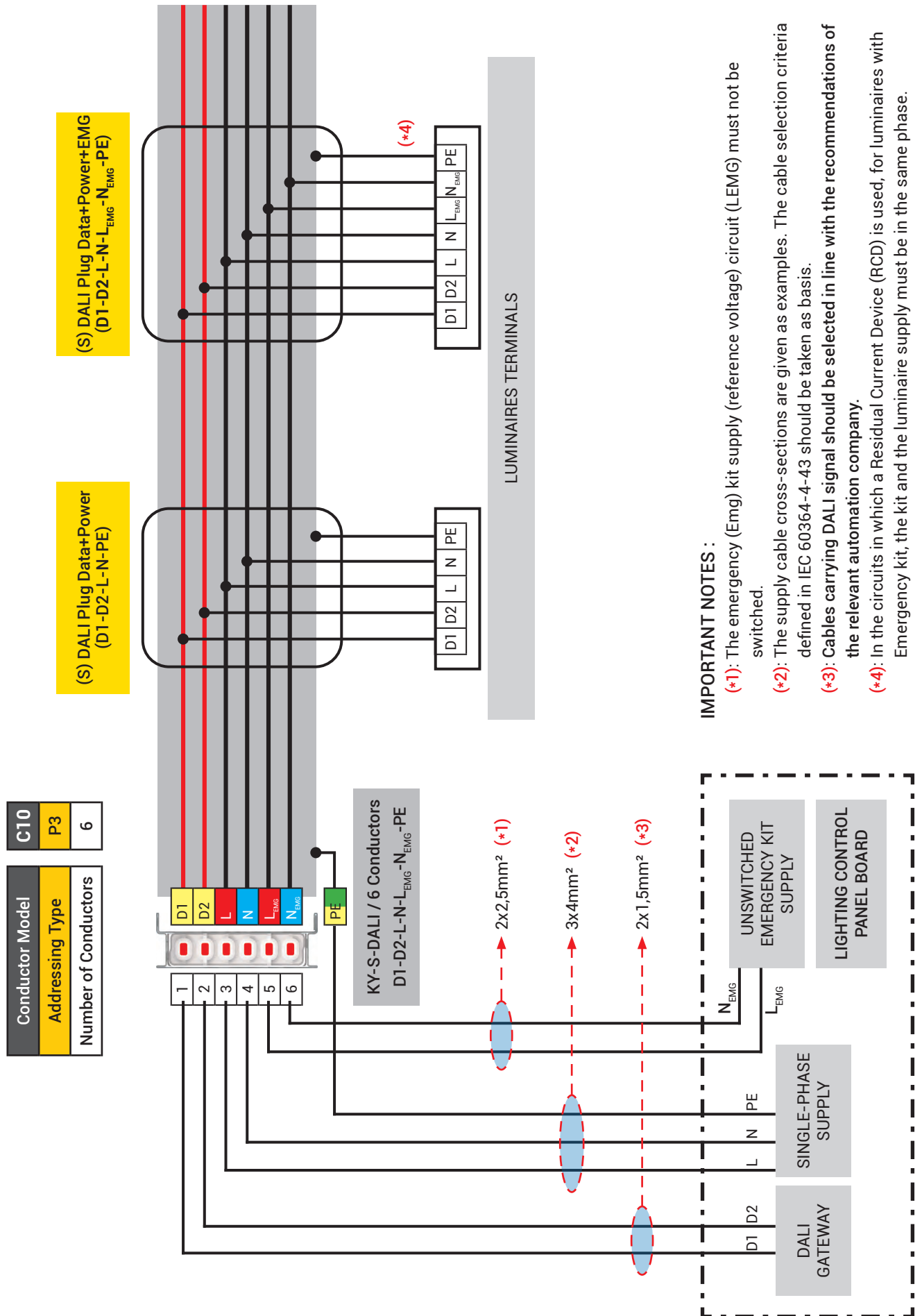
| | | |
|----|---|----|
| L1 | N | PE |
|----|---|----|

BRANCH BUSBAR

LUMINAIRES TERMINALS

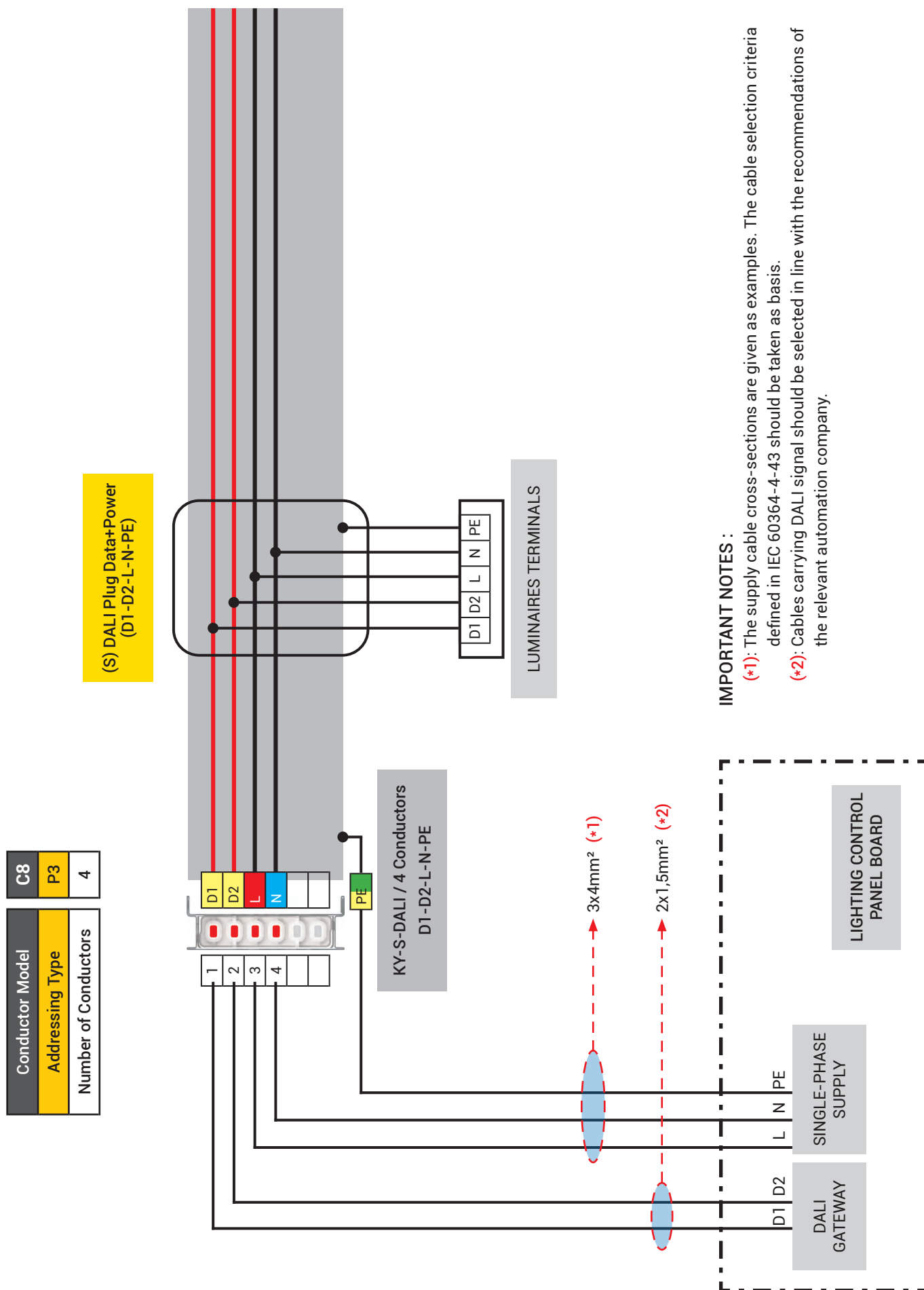
ELINE KY-S-DALI

►►KY-S-DALI BUSBAR (6 Conductors/D1-D2-L-N-LEMG-NEMG-PE housing) PRINCIPLE CONNECTION CIRCUIT DIAGRAM



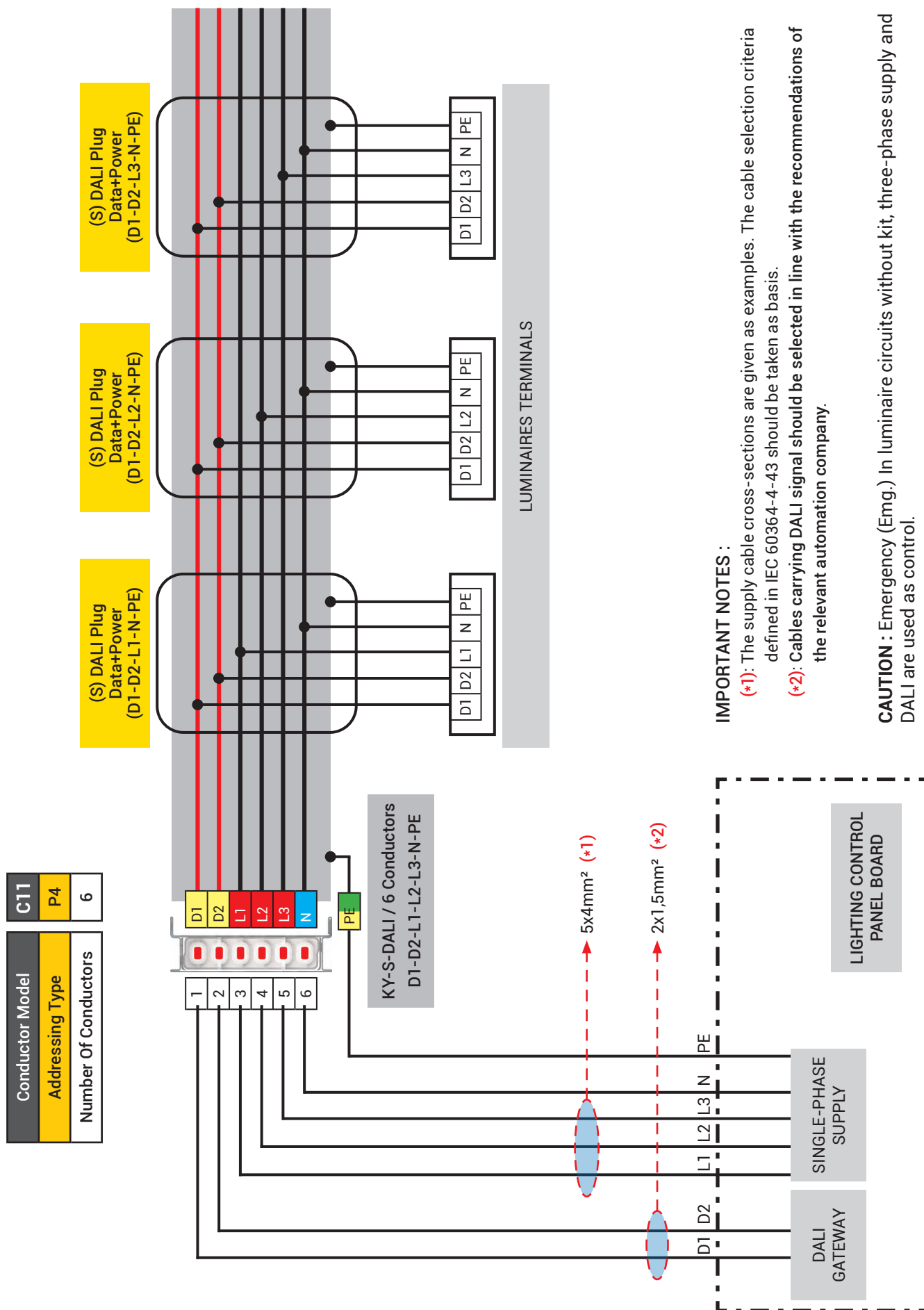
ELINE KY-S-DALI

►► KY-S-DALI BUSBAR (4 CONDUCTORS / D1-D2-L-N-PE housing) PRINCIPLE CONNECTION CIRCUIT DIAGRAM



ELINE KY-S-DALI

►►KY-S-DALI BUSBAR (6 CONDUCTORS / D1-D2-L1-L2-L3-N-PE housing) PRINCIPLE CONNECTION CIRCUIT DIAGRAM



IMPORTANT NOTES :

- (*1): The supply cable cross-sections are given as examples. The cable selection criteria defined in IEC 60364-4-43 should be taken as basis.
- (*2): Cables carrying DALI signal should be selected in line with the recommendations of the relevant automation company.

CAUTION : Emergency (Emg.) In luminaire circuits without kit, three-phase supply and DALI are used as control.

E-LINE KY-S 25-40-63A PLUG-IN BUSBAR SYSTEM PRODUCT OVERVIEW

- 1- KY-S Busbar system is manufactured in accordance with the international IEC 61439-6 standard. It has type test certificates from international test laboratories for each Current Rating.
- 2- Nominal isolation voltage of the busbar duct system is 690 V.
- 3- KY-S Busbar system tin-plated electrolytic copper with 25-40-63 A current values.
- 4- KY-S Busbar system conductors are insulated completely with "halogen free" and flame retardant plastic material. The plug-in opening points are stripped to create a connection area.
- 5- KY-S Busbar system is manufactured in standard lengths of 3m and 1m, with 3 and 1 plug-in openings in total on one side. The number of openings can be increased on special requests. In addition, there is a sealed and hinged, halogen-free and flame-proof plastic protection cover that provides IP55 protection on the plug-in openings
- 6- KY-S Busbar system is manufactured with different functions in various conductor numbers up to 6 (six) conductor structures independent from each other and with tap-off from one side. The number of conductors, phase and functional configuration alternatives are as follows;
 - a) 2 Conductor configuration: L-N-PE (housing) (Addressing type-P1)
 - b) 3 Conductor configuration: L-N-CPE (Addressing type-P1)
 - c) 4 Conductor configuration: L1-L2-L3-N-PE (housing) (Addressing type-P1)
L-N-LEMG-N_{EMG}-PE (housing) (Addressing type-P2)
 - d) 5 Conductor configuration: L1-L2-L3-N-CPE (Addressing type-P1)
L1-L2-L3-N-L_{EMG}-PE (housing) (Addressing type-P2)
 - e) 6 Conductor configuration: L1-L2-L3-N-L_{EMG}-N_{EMG}-PE (housing) (Addressing type-P2)
- 7- There are special insulator fixing pieces suitable for the housing structure to accommodate the conductors at the plug-in current points.
- 8- KY-S Busbar system joints are in a plug-in structure. The joint contacts of conductors are silver-plated. With the double-sided spring (jawed contact) pressure method, the joint is prevented from loosening. The joint structure with terminals that will allow loosening is not used. In addition, the plug-in type joint cover, which prevents the joints from stretching and deflection, can be easily installed without screws and without the need for any hand tools.
- 9- KY-S Busbar trunking is in IP 55 protection degree and IK07 mechanical impact withstand class.
- 10- The housing of KY-S Busbar system is 0.50 mm thick as standard and is manufactured from galvanized sheet metal. On request, it can also be manufactured with electrostatic oven painted in RAL 7038 or other colours on galvanized sheet.
- 11- The contacts of tap-off plugs and boxes are silver-plated, they have a structure to press the conductors inside the busbar from both sides, and the steel spring protected jawed contact structure that prevents loosening.
- 12- The KY-S Busbar system has standard fixing apparatus and fixing elements suitable for its external structure and is produced by the manufacturer. Fixing elements can also carry 50 mm cable duct at the same time by using additional small pieces.

The cross-sections of Phase and Neutral conductors are manufactured as follows;

 - 2.5 mm² for 25A;
 - 4.9 mm² for 40A;
 - 8 mm² for 63A.

• PE (Housing) is used as the housing protection conductor and the equivalent copper cross-sectional area is 7.60 mm².

• CPE (Clean Earth-Clean Protection Conductor) is a separate and independent conductor and its cross-sectional area is same with the ones of phase conductors.
- 13- KY-S-DALI model is used in lighting automation circuits with "DALI" communication protocol, in "DALI" ballast control applications at the same time with luminaire supply.
- 14- In KY-S-DALI model, the number of conductors, phase and functional configuration alternatives are as follows;
 - a) 4 Conductor configuration: D1-D2-L-N-PE (housing) (Addressing type-P3)
 - b) 5 Conductor configuration: D1-D2-L-N-L_{EMG}-PE (housing) (Addressing type-P3)
 - c) 6 Conductor configuration: D1-D2-L-N-L_{EMG}-N_{EMG}-PE (housing) (Addressing type-P3)
 - d) 6 Conductor configuration: D1-D2-L1-L2-L3-N-PE (housing) (Addressing type-P4)
- 15- The lower housing-ear, upper housing and cable gland colours and physical addressing structures (housing tabs) of the tap-off plugs and boxes to be installed in KY-S busbar and Dali and Emergency Kit (Emergency) plugs are manufactured as "different" to prevent misuse. It is possible to distinguish easily which phase the power is supplied from, the control function, plug and box types from these colours on them.
- 16- KY-S busbar can be hung with 1.5m, 2m and 3m hanger intervals, not exceeding the maximum permissible payload weights that can be applied from single or multiple points, including joints. Busbar, transport and lateral vibration and seismic hangers are manufactured originally. All of these original hangers must be used, taking into account the region, area, busbar structure and lengths used.

►► Declaration

CE DECLARATION OF CONFORMITY

Product Group E-Line KY-S Busbar Systems

Manufacturer EAE Elektrik Asansor End. İnşaat San. ve Tic. A.S.
Akcaburgaz Mahallesi, 3114. Sokak, No:10, 34522
Esenyurt - İstanbul

The objects of the declaration described below is in conformity with the relevant Union harmonisation legislation. This declaration of conformity is made under the responsibility of the manufacturer.

Standard:**IEC 61439-6**

Low-voltage switchgear and controlgear assemblies - Part 6: Busbar trunking systems

CE - Directive:

2014/35/EU "The Low Voltage Directive"
2014/30/EU "Electromagnetic Compatibility (EMC) Directive"
2011/65/EU "Restriction of the use of certain hazardous substances (RoHS)"

Technical Document Preparation Official::

EAE Elektrik Asansor End. İnşaat San. ve Tic. A.S.
Akcaburgaz Mahallesi, 3114. Sokak, No:10 34522 Esenyurt-İstanbul

Mustafa AKÇELİK

Date

10.05.2023

Document Authorized Signatory

Elif Gamze KAYA OK
Deputy General Manager

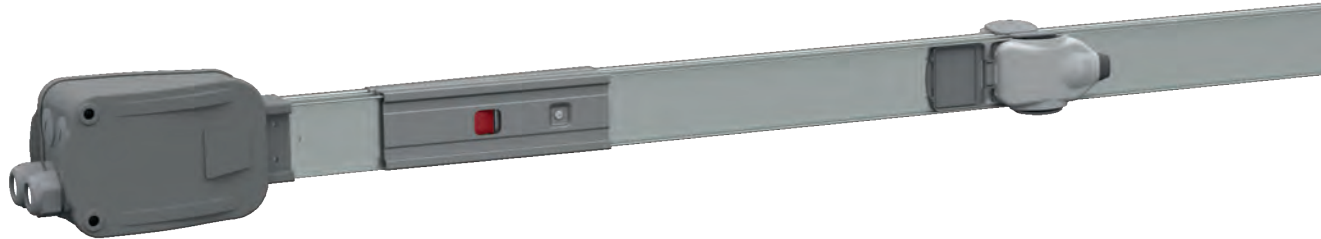


KY-S Busbar



- KY-S
- KY-S DALI

KY-D Busbar



- KY-D
- KY-D DALI

PRODUCT TYPES

BUSBAR ENERGY DISTRIBUTION SYSTEMS



CABLE TRAYS



TROLLEY BUSWAY ENERGY DISTRIBUTION SYSTEMS



INDOOR SOLUTIONS



SUPPORT SYSTEMS



EAE Elektrik A.S.
Head Office

Akcaburgaz Mahallesi,
3114. Sokak, No:10 34522
Esenyurt - Istanbul - TURKEY
Tel: +90 (212) 866 20 00
Fax: +90 (212) 886 24 20

EAE DL 3 Factory
Busbar

Makine Ihtisas Organize Sanayi
Bolgesi Mahallesi, 6. Cadde,
8. Sokak, No:6 41455
Dilovası - Kocaeli - TURKEY
Tel: +90 (262) 502 05 65
Fax: +90 (262) 502 05 70

Please visit our website for the updated version of our catalogues.
www.eaeelectric.com



Catalogue 51-Eng.. / Rev.02 0 pcs. 11/02/2025
E.U.

EAE has full right to make any revisions or changes on this catalogue without any prior notice.

