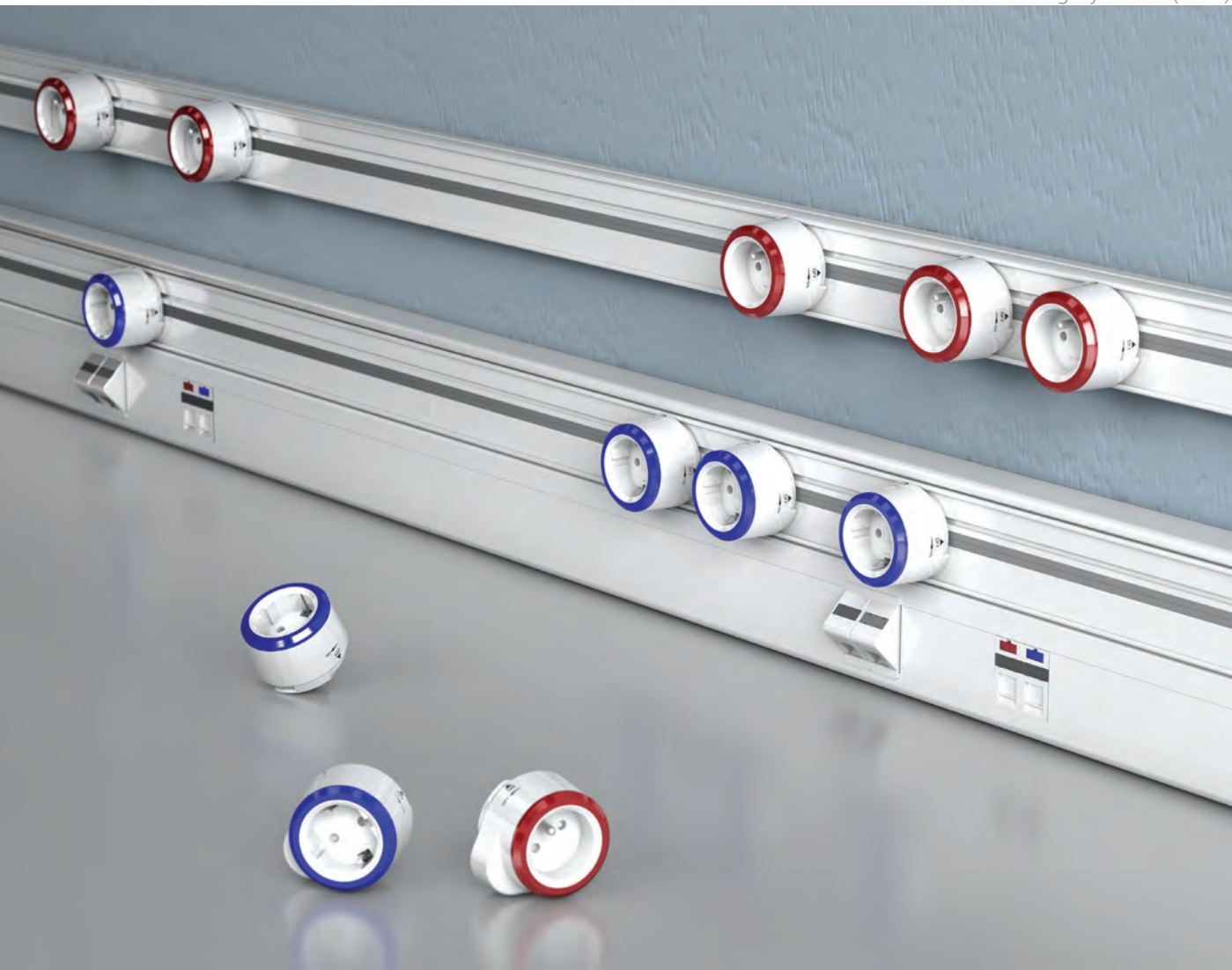




E-LINE FL/FLD

Indoor Busbar Trunking Systems (32 A)



E-LINE FL/FLD

Please visit our website for the updated version of our catalogues.
www.eaelectric.com

CONTENTS

▶▶ E-LINE FL

Overview	2
General Specifications	3
Technical Specifications and Safety	4-5
FL Busbar Colours	6
FL Busbar Product Order Codes	7-10
FL Busbar Area of Usage	11
FL Busbar Mounting	12-13

▶▶ E-LINE FLD

Overview	14
General Specifications	15
FLD Data Busbar Design and Product Selection	16-17
FLD Data Busbar Product Order Codes	18-21
FL / FLD Busbar Area of Usage	22-23
FLD Data Busbar Mounting	24
General Product Specifications	25
CE Declaration of Conformity	26
Certificate	27
Design Form	28-32

►► OVERVIEW

Aesthetic, safe, practical and flexible structure eliminating cable mess.

E-LINE FL Indoor Busbar Trunking Systems

FL Busbar system allows easy and safe power distribution in workplaces

- Offices
- Workshops
- Stores
- Grocery stores
- Hospitals
- Laboratories
- Airports
- Business Centers

Wherever power is needed without the need for additional cabling.

Eliminates trailing cables and fixed sockets for low power distribution.

E-LINE FL Indoor Busbar Trunking Systems can be mounted on any structure or surface using brackets.

They can be used separately for power or UPS sockets requirements when needed.

Private power and UPS sockets with aesthetic design and different color options can be installed with out any hand tools to desired point.



E-LINE FL



▶▶ GENERAL SPECIFICATION

- ▶ Mains or UPS Sockets; 16A, 250V (child protected)
- ▶ FL Busbar; 32A, 250V Operating voltage
- ▶ IP2X Protection Class
- ▶ Use of sockets in different colours for mains or UPS circuits
- ▶ Single phase circuit (3 conductors); L+N+(PE) (65x28 mm)

- ▶ Aesthetic, safe, practical and flexible structure
- ▶ Easy and fast mounting
- ▶ Standard length is 1m and 2m.
- ▶ Standard color is white (RAL 9003), for different color and cover alternatives, please contact with us.

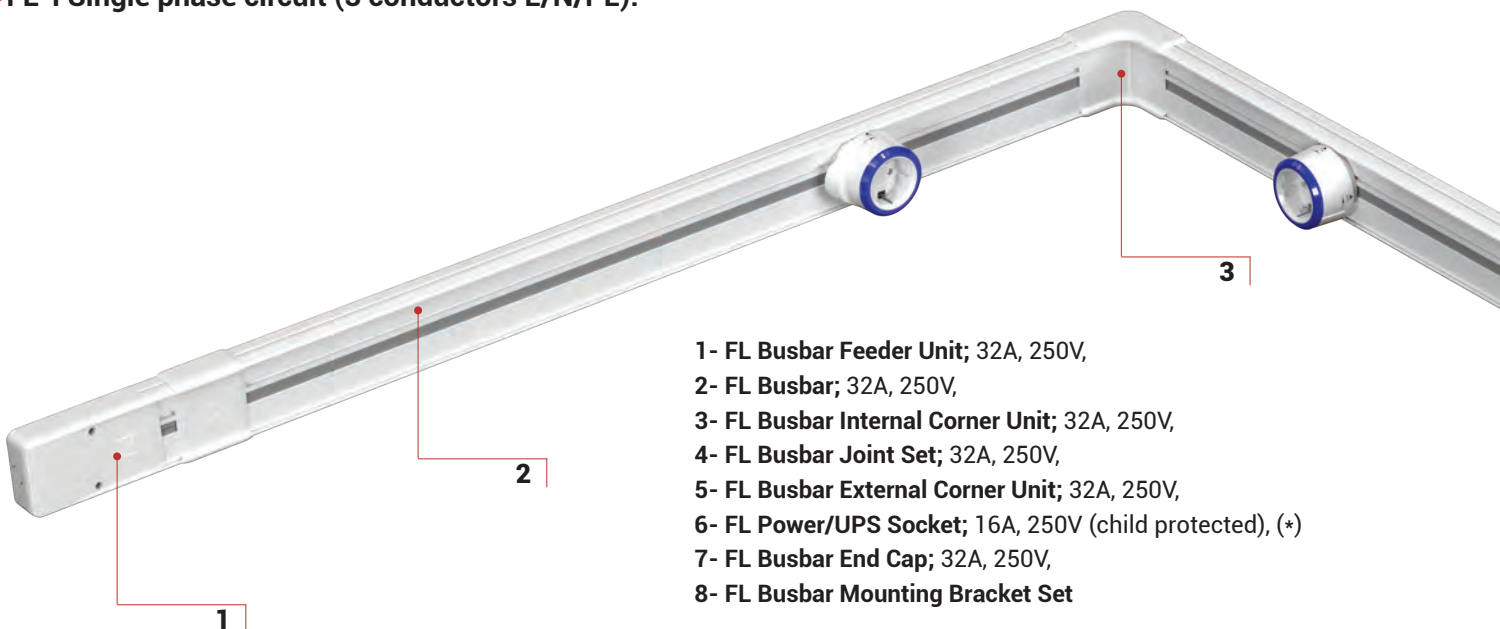


►► FL BUSBAR DESIGN and PRODUCT SELECTION

For design and product selection, select the numbered products and accessories shown below according to the layout of the building as shown in the project example.

Note: Please consider the voltage drop and current rating by checking the length of the busbar and the number of sockets proposed.

► FL-I Single phase circuit (3 conductors L/N/PE):



- 1- FL Busbar Feeder Unit; 32A, 250V,
- 2- FL Busbar; 32A, 250V,
- 3- FL Busbar Internal Corner Unit; 32A, 250V,
- 4- FL Busbar Joint Set; 32A, 250V,
- 5- FL Busbar External Corner Unit; 32A, 250V,
- 6- FL Power/UPS Socket; 16A, 250V (child protected), (*)
- 7- FL Busbar End Cap; 32A, 250V,
- 8- FL Busbar Mounting Bracket Set

: For FL-I : L/N/PE

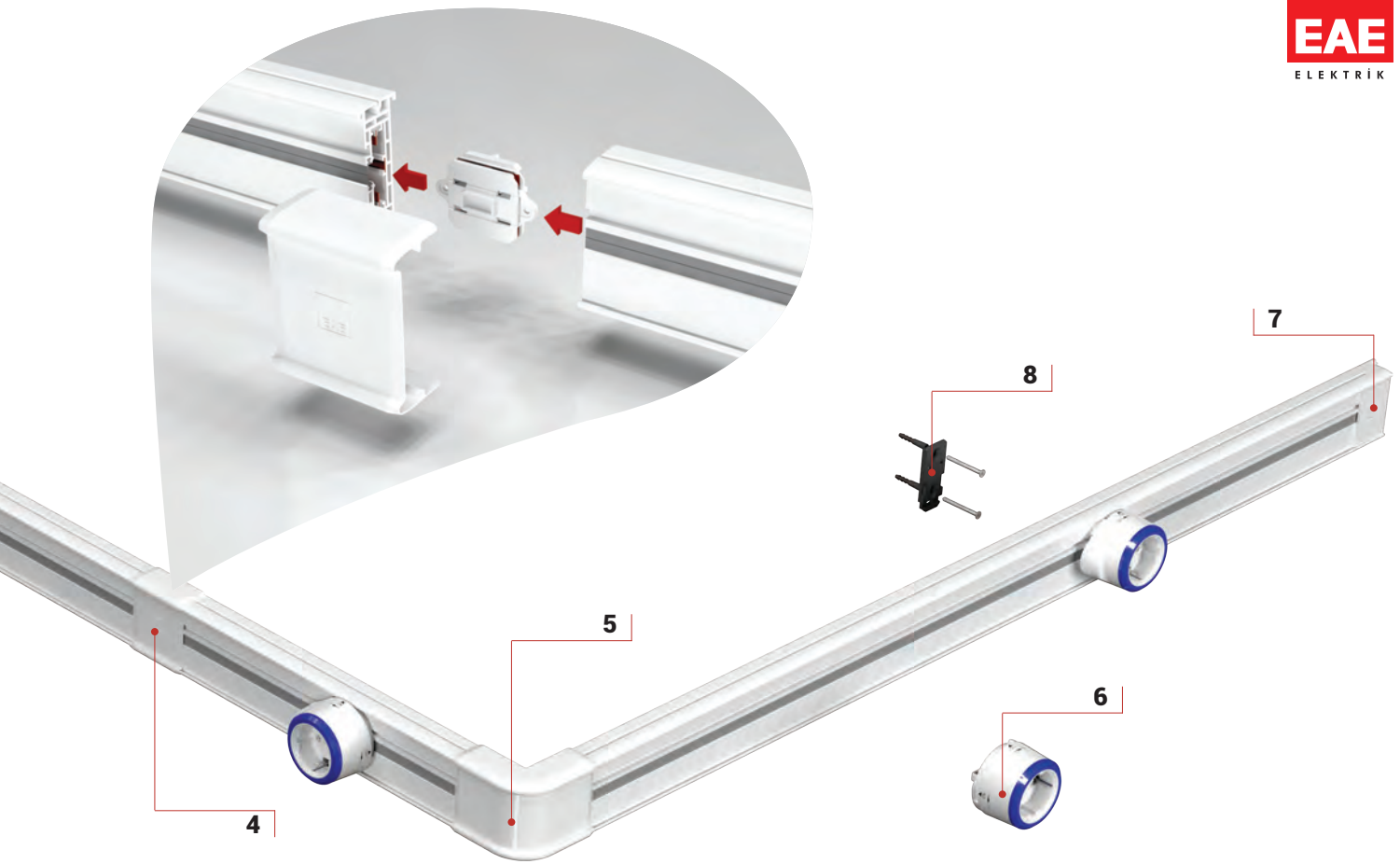
(*) : Either power socket or UPS socket can be used with FL-I

►► TECHNICAL SPECIFICATIONS

► E-Line FL-I/FLD-I

	Rated Current	I_n	A	32
	Busbar Code			032
	Standard			IEC 61439-6
	Rated Insulation Voltage		V	415
	Rated Operating Voltage	U_i	V	250
	Rated Frequency	U_e	Hz	50
	Pollution Level	f		3
	Protection Class			2X
	External Mechanical Impacts (IK Code)	IP		07
	Rated Conditional Short Circuit Current		kA(rms)	(*)
PHASE CONDUCTOR CHARACTERISTICS	Resistance at a conductor temperature of 20 °C	I_{cc}	mΩ/m	3,2878
	Resistance at an ambient air temperature of 35 °C	R_{20}	mΩ/m	3,8571
	Reactance (Temperature Independent)	R_{35}	mΩ/m	0,2107
	Positive and negative sequence impedances at an ambient air temperature of 35 °C	X_{ph}	mΩ/m	3,863
	Positive and negative sequence impedances at conductor temperature of 20 °C	Z_{35}	mΩ/m	3,2946
	Rated power loss at a temperature of 35 °C	Z_{20}	P(W/m)	3,8
CROSS SECTIONS	Phase, neutral conductor cross-sections: 0,8mm x 7,5mm	Watt	mm ²	6
	Ground conductor cross-sections: 0,8mm x 7,5mm		mm ²	6

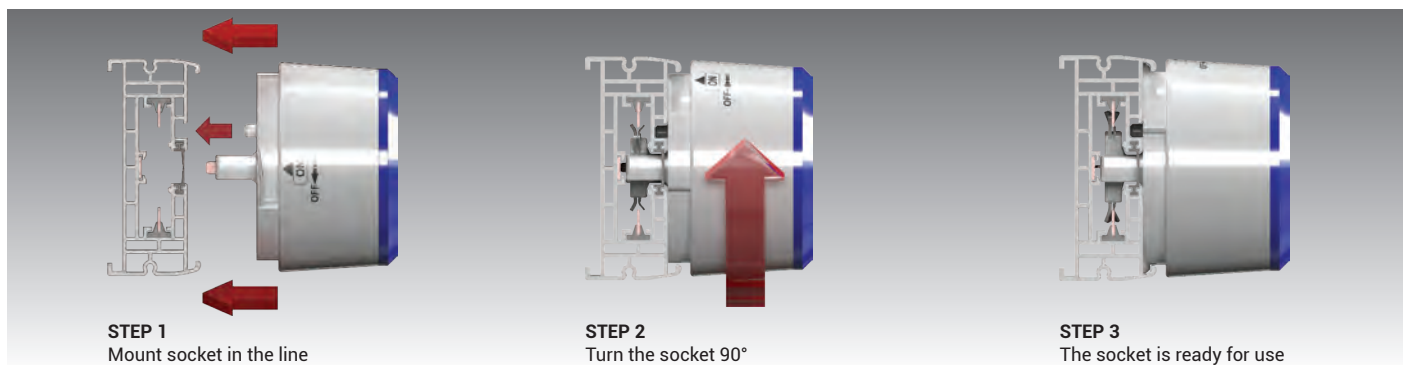
(*) Short circuit current (kA) is determined according to the selected fuse type.



Note: Add 3 "FL Busbar Bracket Set" per 2m FL busbar length and 2 per 1m FL Busbar length.

▶▶ SAFETY

- ▶ **E-LINE FL BUSBAR** is produced in accordance with ISO 9001 standards with a certified quality management system using the world's latest manufacturing technologies. Units are designed and tested according to IEC 61439-6, IEC 61534-1 and IEC 60884-1.
- ▶ The phase conductor structure is protected against finger contact and dust using a screen system along the length of the busbar. In cases where the socket is live the socket is secured into position using a special locking system. Sockets do not come off thanks to the clamping structure.



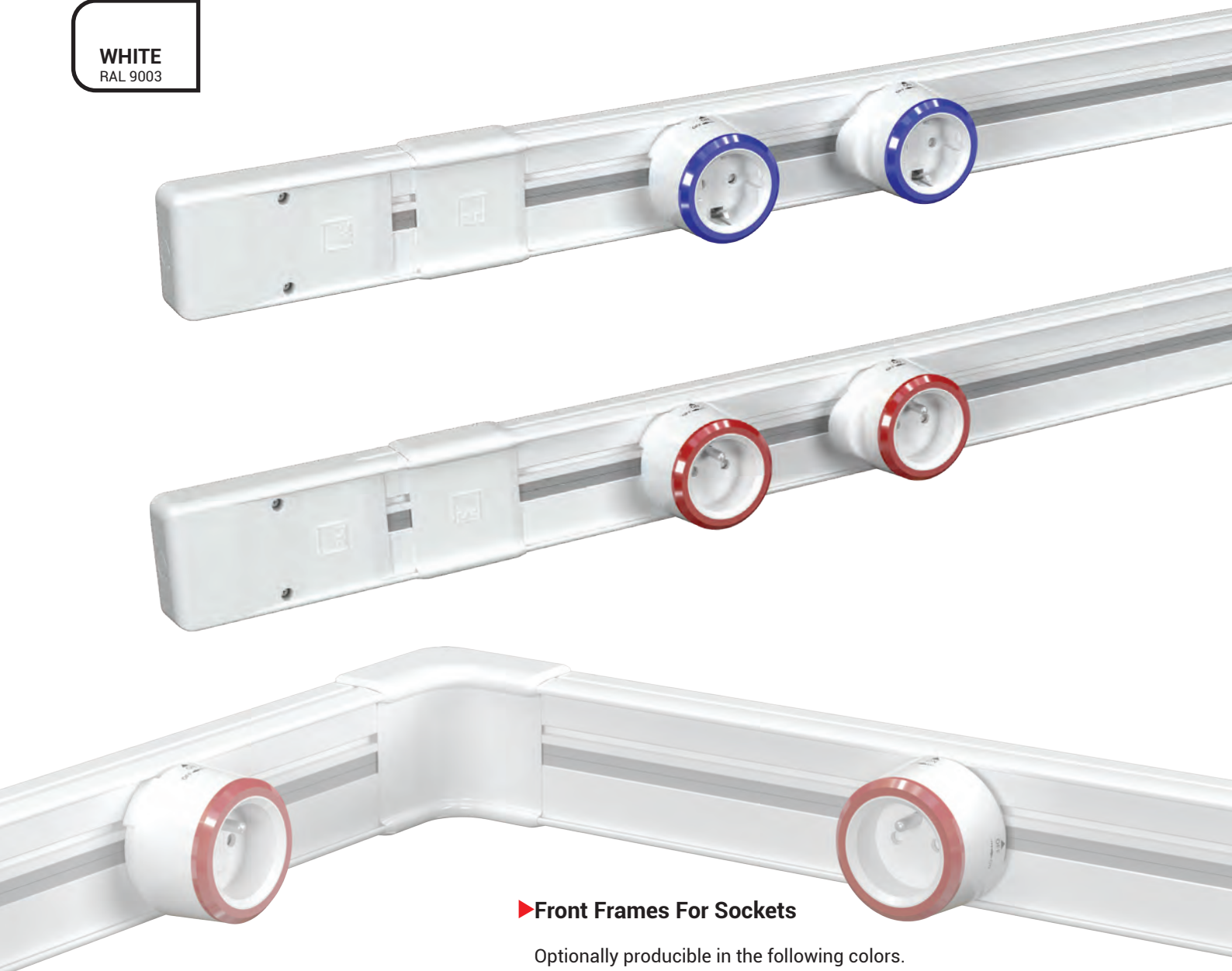
Caution: "ON" position must be aligned to the top edge of FL Busbar.

E-LINE FL

▶▶ FL BUSBAR COLOURS

FL busbar is white-colored. For all non-standard colored busbars, please contact with us.

▶ MAIN COLOUR



▶ Front Frames For Sockets

Optionally producible in the following colors.

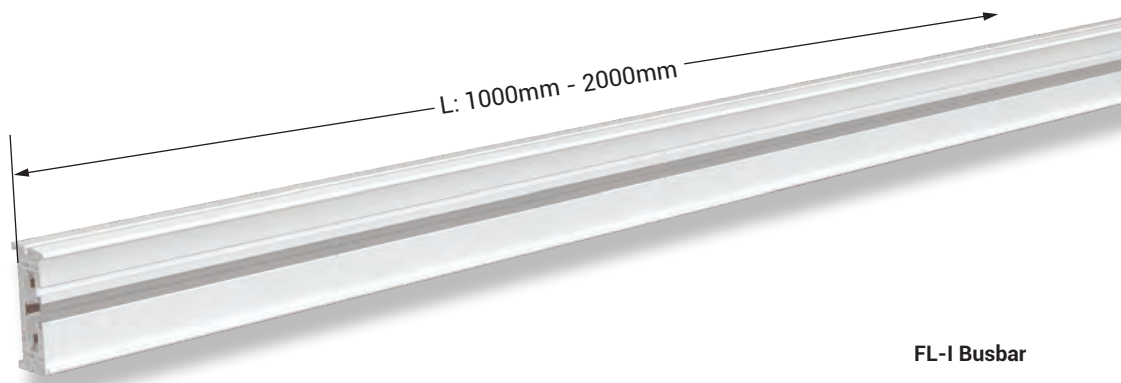
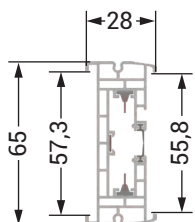


■ There may be differences between colours and patterns in the catalogue and the actual product.

▶▶ FL BUSBAR PRODUCT ORDER CODES

▶ FL-I Busbar

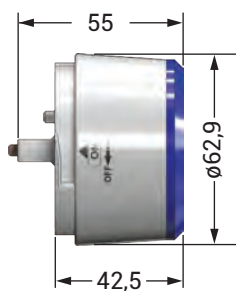
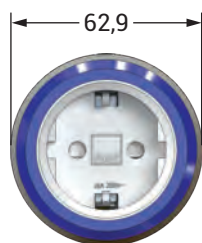
Product Description	Order Code
FL-I Busbar, 32A, 250V, L/N/PE (1m), PVC	3133630
FL-I Busbar, 32A, 250V, L/N/PE (2m), PVC	3133629



FL-I Busbar

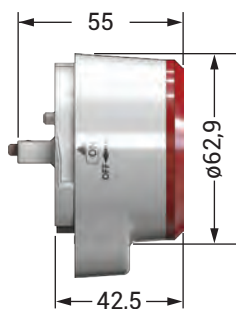
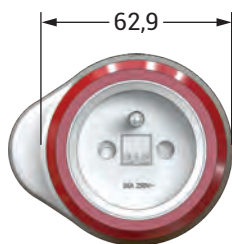
▶ FL-I Power Socket

Product Description	Order Code Without Fuse	Order Code With Fuse
FL-I Mains Socket, (German Std. Grounded Socket), 16A, 250V, Red Frame	3148028	3117177
FL-I Mains Socket, (German Std. Grounded Socket), 16A, 250V, Blue Frame	3133902	3117178
FL-I UPS Socket, (French Std. Grounded Socket), 16A, 250V, Red Frame	3133632	3117180
FL-I UPS Socket, (French Std. Grounded Socket), 16A, 250V, Blue Frame	3148029	3117181



German Standard Grounded Socket (Mains)

16A, 250V, 2P+E



French Standard Grounded Socket (UPS)

16A, 250V, 2P+E

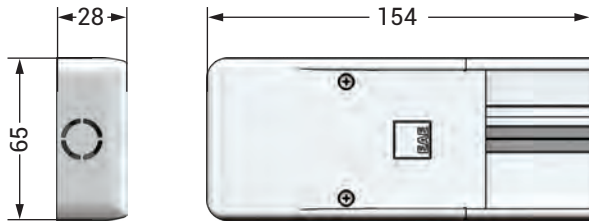


■ All sockets are child protected.

▶▶ FL BUSBAR PRODUCT ORDER CODES

▶ FL-I Feeder Unit

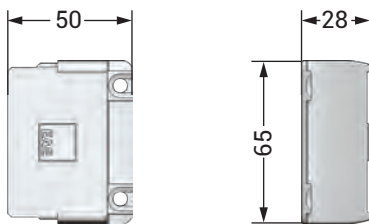
Product Description	Order Code
FL-I Feeder Unit, 32A, 250V, L/N/PE	3133631



FL-I Feeder Unit

▶ FL-I End Cap

Product Description	Order Code
FL-I End Cap, 32A, 250V, L/N/PE	3048965

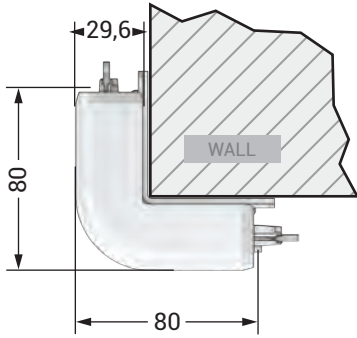


FL-I End Cap

▶▶ FL BUSBAR PRODUCT ORDER CODES

▶ FL-I External Corner Unit

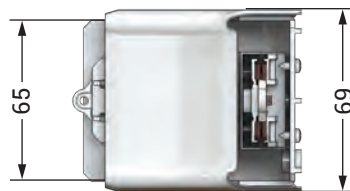
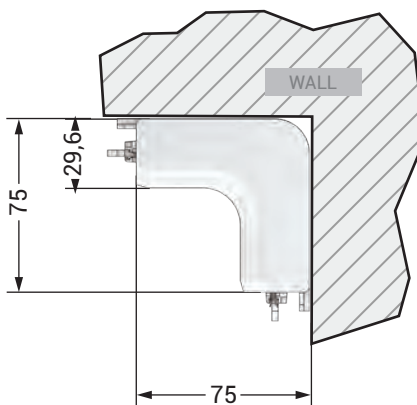
Product Description	Order Code
FL-I External Corner Unit, 32A, 250V, L/N/PE	3048956



FL-I External
Corner Unit

▶ FL-I Internal Corner Unit

Product Description	Order Code
FL-I Internal Corner Unit, 32A, 250V, L/N/PE	3048953



FL-I Internal
Corner Unit

▶▶ FL BUSBAR PRODUCT ORDER CODES

▶ FL-I Joint Unit

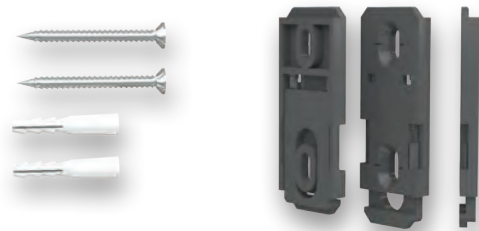
Product Description	Order Code
FL-I Joint Unit, 32A, 250V, L/N/PE	3048962



FL-I Joint Unit

▶ FL Mounting Bracket Set

Product Description	Order Code
FL Mounting Bracket Set	3048968



FL Mounting Bracket Set

►► FL BUSBAR AREA OF USAGE

Laboratories

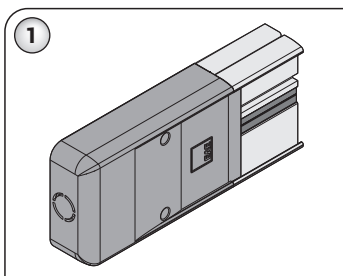


Workshops

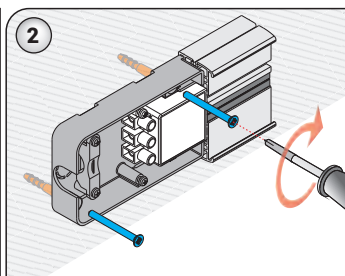


▶▶ FL BUSBAR MOUNTING

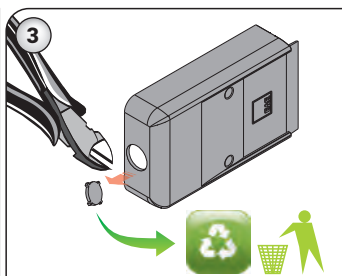
▶ FL-I Busbar Feeder Unit Mounting



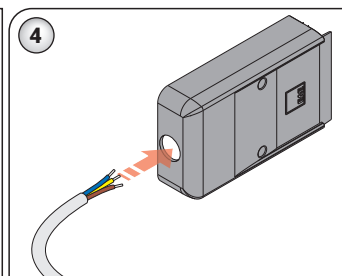
1-Supply a busbar feeder unit with cover.



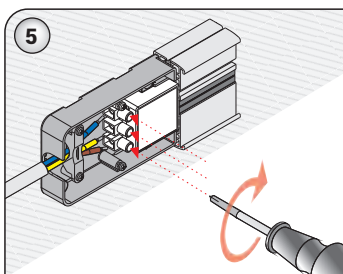
2-Remove the cover of the feeder unit and mount the unit on the wall with 2 M6 dowels and screws.



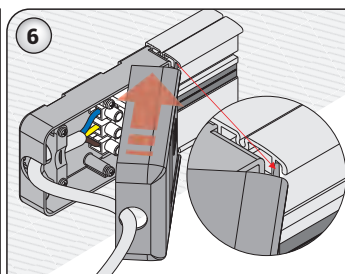
3-Cut the cable hole cover on the cover and remove.



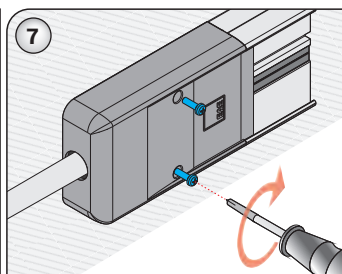
4- Strip the end of the cable and insert through the hole.



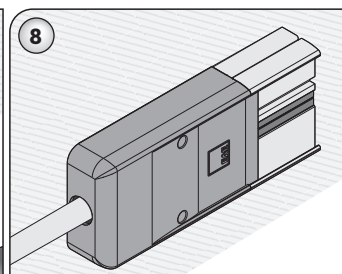
5- Fix the cable ends (L/N/PE) into the corresponding terminals and tighten the cable clamp.



6- Place the feeder unit cover ensuring that the cover is correctly aligned with the end of the busbar.

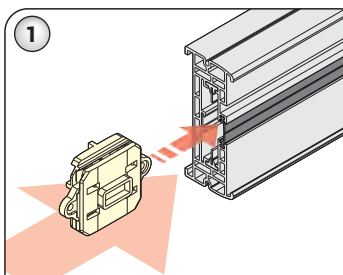


7- Secure the cover by tightening 2 screws on the cover.

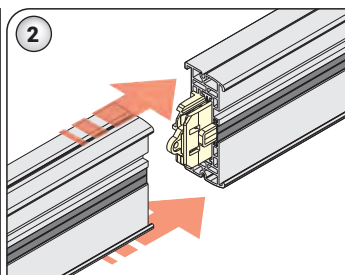


8- Finally check that the cable is not loose and that the cover is fully slotted.

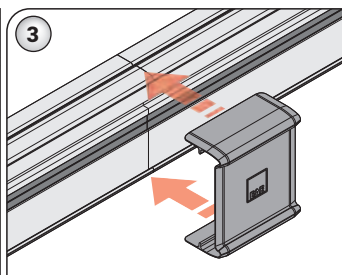
▶ FL-I Busbar Joint Set Mounting



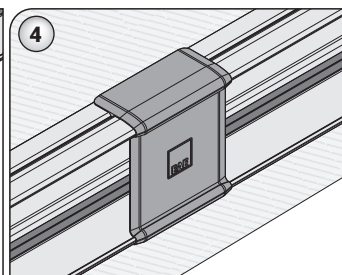
1-Place connector piece between FL busbar conductors and ensure a secure fit.



2- In the same way, place connector piece between other FL busbar conductors and ensure a secure fit.

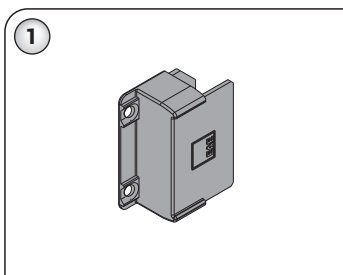


3- Place the joint cover centering the joint point.

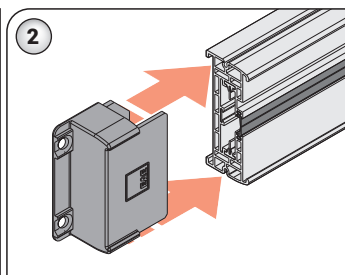


4- Check that the joint cover is secure and finish the mounting.

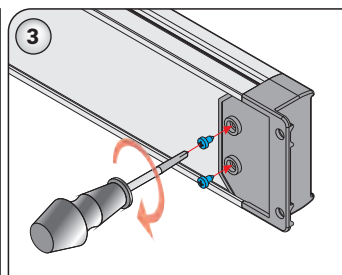
▶ FL-I Busbar End Cap Mounting



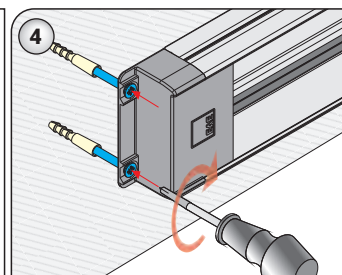
1- Supply a busbar end cap.



2- Place the end cap at the end of the busbar by pushing it into the busbar body.



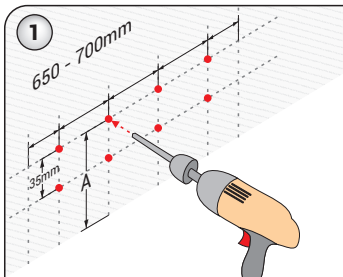
3- Secure the end cap by tightening 2 screws as seen in figure.



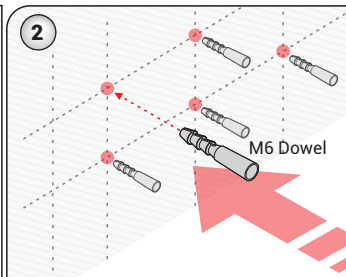
4- Complete the mounting of the end cap using screws as shown above.

▶▶ FL BUSBAR MOUNTING

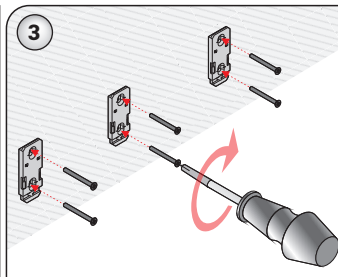
▶ Bracket Set and FL Busbar Mounting



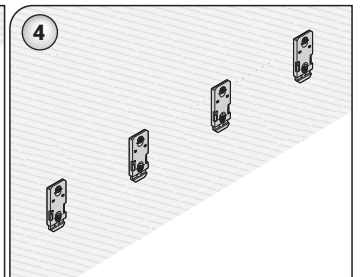
1- After determining the required installation height for the FL busbar drill two pairs of rawplug holes for each bracket at 35mm vertical centres and 650-700mm horizontally.



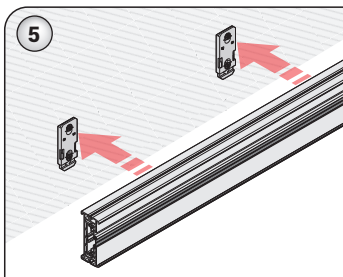
2- Insert the rawplugs into the holes.



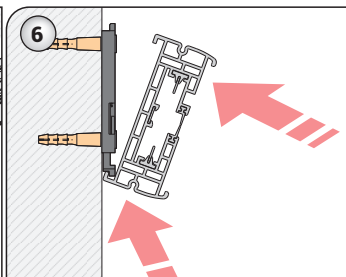
3- Fix the wall brackets with screws as shown above.



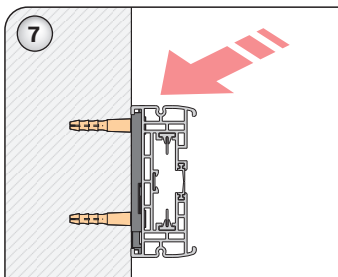
4- Ensure that all of the wall brackets are correctly aligned.



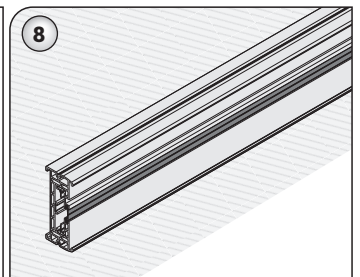
5- Place the FL Busbar close to the wall brackets.



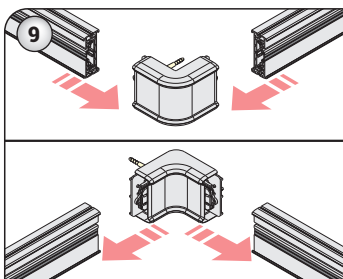
6- First hook the lower clamps at the back of the busbar body onto the bottom of wall bracket and push the busbar upwards.



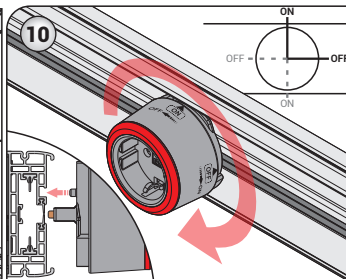
7- Then hook the upper clamps at the back of the busbar body onto the top of the wall bracket.



8- To complete the mounting of the FL Busbar check that the clamps are secure. And finish mounting.

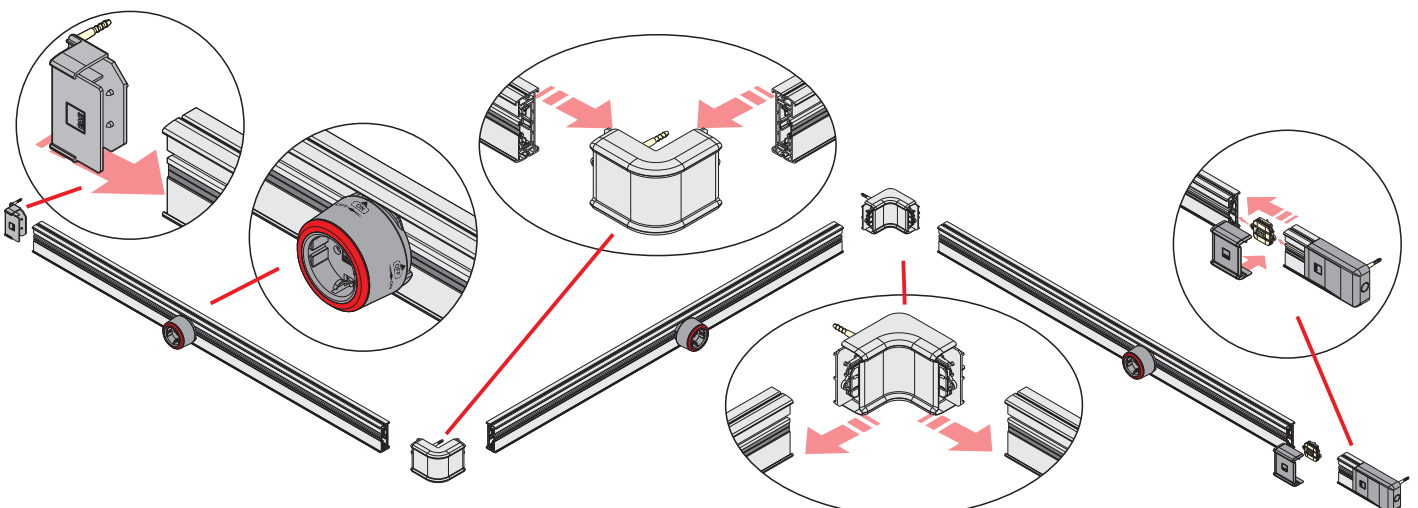


9- Connect the internal and external corners using the same method used in fitting the joint connector piece and fix to the wall using the rawplugs and screws.



10- Insert the FL socket into the trunking and secure it by turning in the specified direction. Caution: The "ON" position must be aligned to the top edge of the FL Busbar.

ATTENTION: FL Busbar can be cut to length during installation. A fixed saw is recommended for this.



►► OVERVIEW

Aesthetic, safe, practical and flexible structure eliminating cable mess.
E-LINE FLD Indoor Busbar Trunking Systems;

FLD Data Busbar System;

- Offices
- Workshops
- Stores
- Grocery stores
- Hospitals
- Laboratories
- Airports
- Business Centers

Wherever power is needed without the need for additional cabling, eliminates trailing cables and fixed sockets for low power distribution.

Eliminates mounting cables and sockets for indoor energy distribution.

E-LINE FLD Indoor Busbar Trunking Systems can be easily mounted on any surface using brackets.

Also, when its compact structure is used with joint, corner unit and cable section, it offers a **perfect structural** cabling infrastructure for data and phone requirements.

Modular standard data, telephone and TV sockets and special power and UPS sockets can be installed easily.

Power and UPS sockets with aesthetic design and different color options can be installed without any hand tools to desired point.



E-LINE FLD

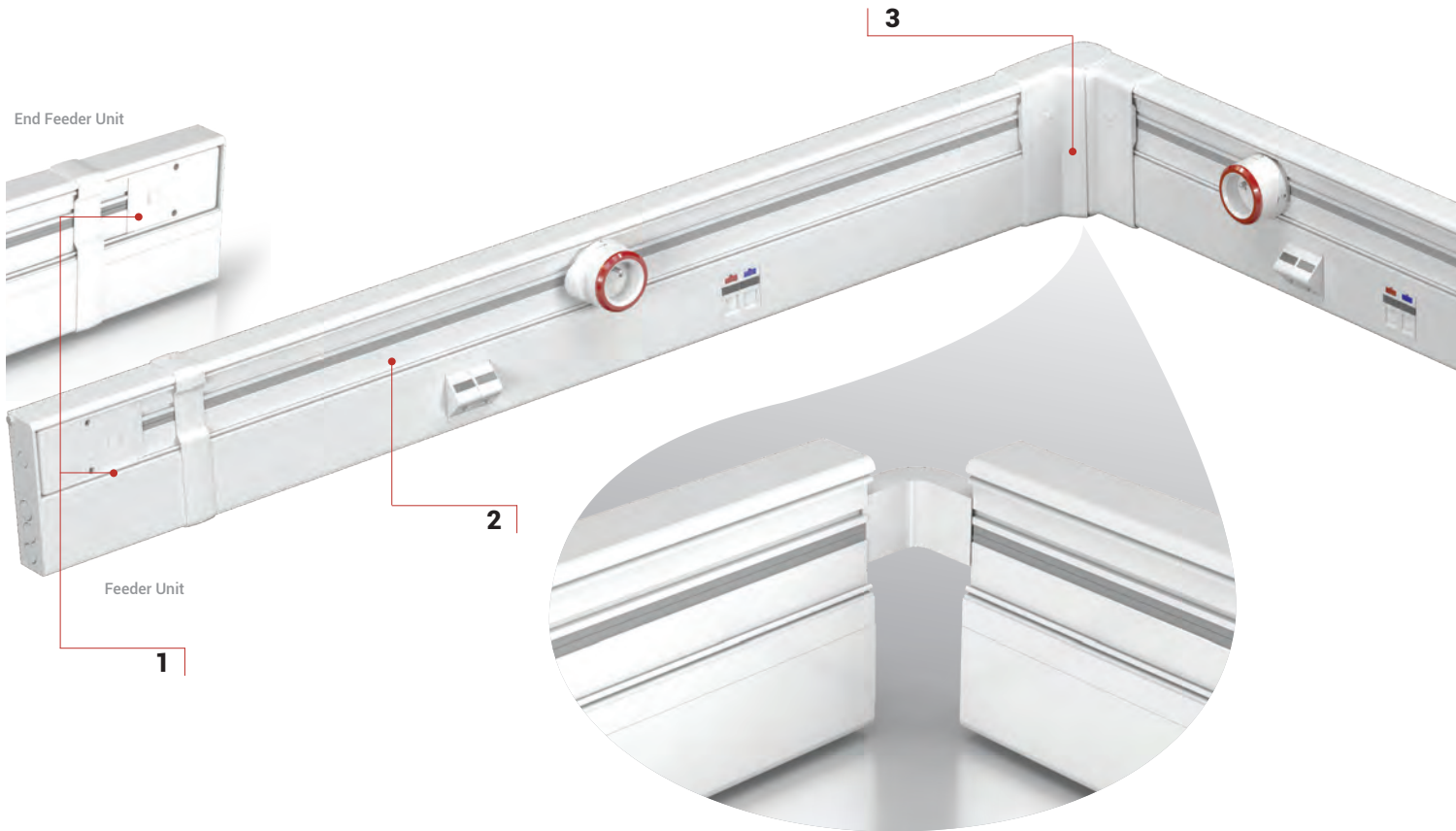
▶▶ GENERAL SPECIFICATIONS

- ▶ Mains or UPS; 16A, 250V (child protected)
 - ▶ FLD Data Busbar; 32A, 250V Operating voltage
 - ▶ IP2X Protection Class
 - ▶ Using different socket structure for mains and UPS sockets.
 - ▶ Single phase circuit (3 conductors); L+N+(PE) (65x28 mm), FL-I busbar application (standard)
-
- ▶ Separate and compact section for structural cabling (Data&Phone)
 - ▶ Data, Phone, TV etc. socket mounting (without base)
 - ▶ Aesthetic, safe, practical and flexible structure
 - ▶ Easy and fast mounting
 - ▶ Standard length is 1m and 2m.
 - ▶ Standard color is white (RAL 9003), for different color options, please contact with us.



▶▶ FLD DATA BUSBAR DESIGN and PRODUCT SELECTION

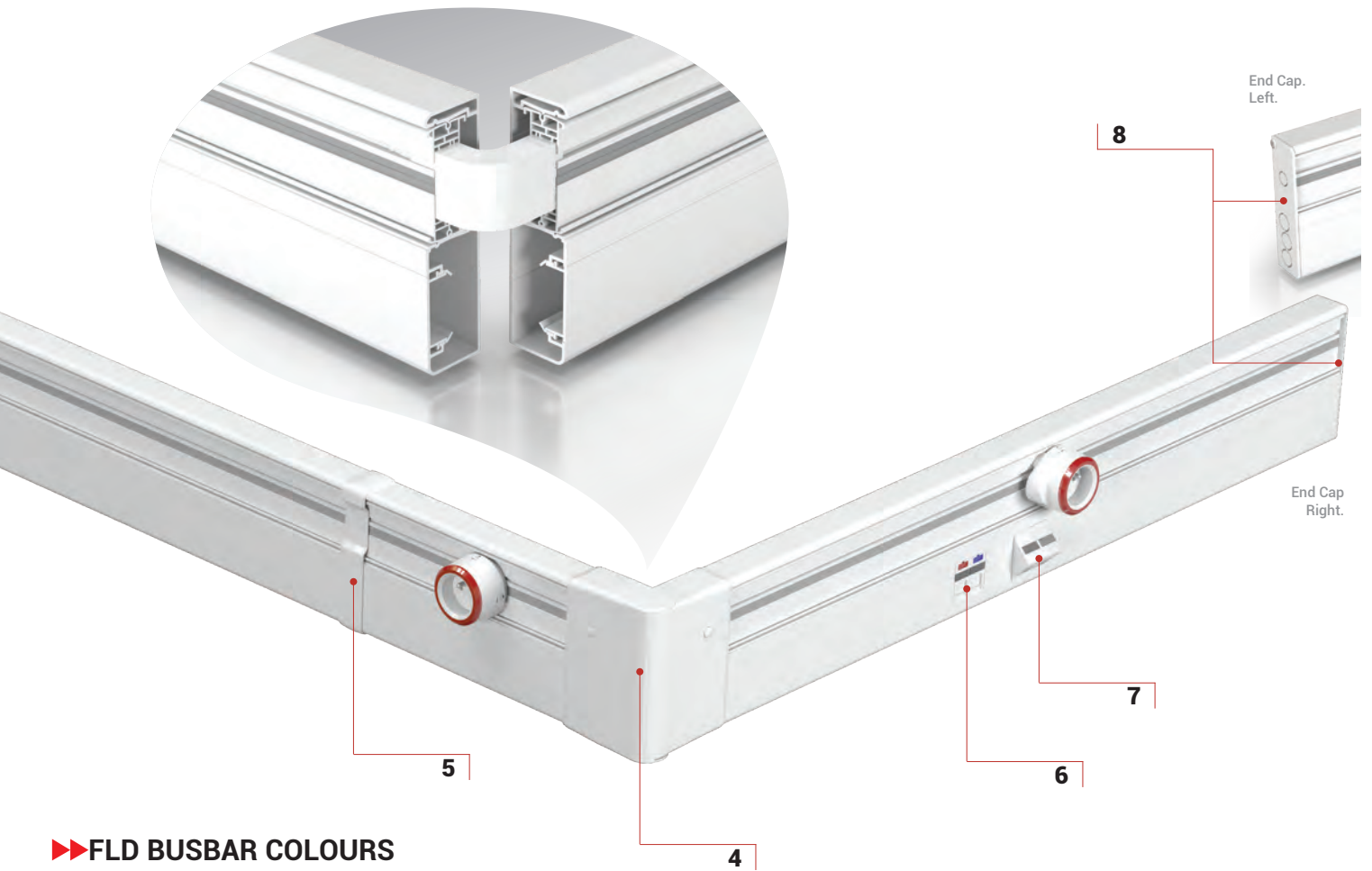
For design and product selection, select the numbered products and accessories shown below according to the layout of the building as shown in the project example.



- 1- FLD Data Busbar, Feeder Unit (32A, 250V, L/N/PE, 150x40mm)
- FLD Data Busbar, End Feeder Unit (32A, 250V, L/N/PE, 150x40mm)
- 2- FLD Data Busbar (32A, 250V, L/N/PE, 150x40x1000/2000mm)
- 3- FLD Data Busbar, Internal Corner Unit (32A, 250V, L/N/PE, 150x40mm)
- 4- FLD Data Busbar, External Corner Unit (32A, 250V, L/N/PE, 150x40mm)
- 5- FLD Data Busbar, Joint Unit(150x40mm)
- 6- FLD Data Busbar Keystone Faceplate, Straight Type (22,5x45mm)
- 7- FLD Data Busbar Keystone Faceplate, Angular Type (22,5x45mm)
- 8- FLD Data Busbar End Cap - Right/Left (150x40mm)

Note: FLD Data Busbar has a compact structure which consists of a cable section for data and telephone connections and FL-I busbar.

E-LINE FLD



▶▶ FLD BUSBAR COLOURS

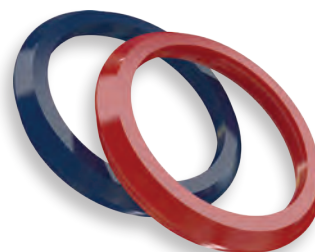
FLD busbar is white-colored. For all non-standard colored busbars, please contact with us.

▶ MAIN COLOUR



▶ Front Frames For Sockets

Optionally producible in the following colors.



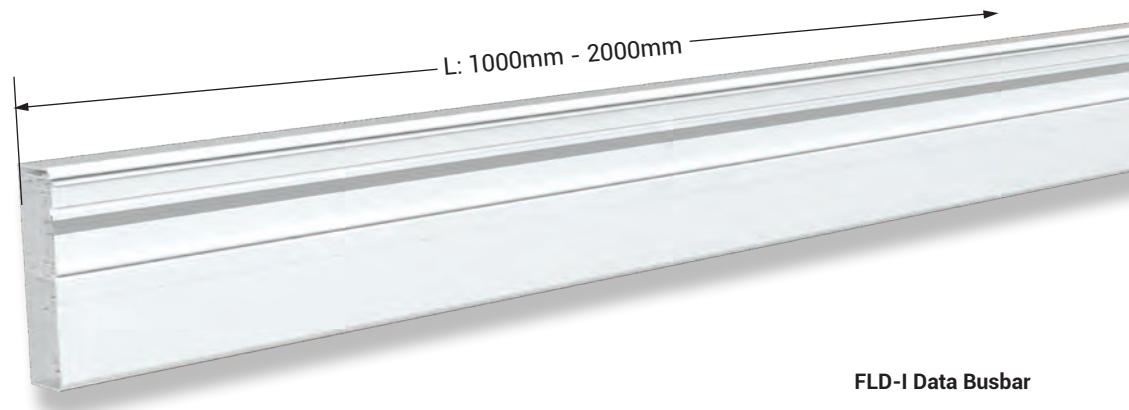
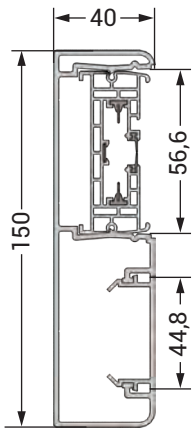
- Red
- Blue

Note: See the section for FL-I Sockets for socket options and ordering.
■ There may be differences between colours and patterns in the catalogue and the actual product.

▶▶ FLD DATA BUSBAR PRODUCT ORDER CODES

▶ FLD-I Data Busbar

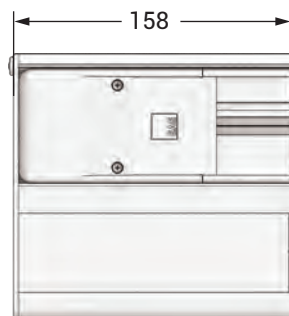
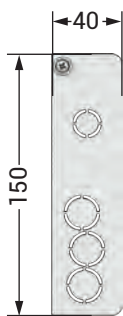
Product Description	Order Code
FLD-I Data Busbar, 32A, 250V, L/N/PE (1m), PVC	3134084
FLD-I Data Busbar, 32A, 250V, L/N/PE (2m), PVC	3133634



FLD-I Data Busbar

▶ FLD-I Data Busbar Feeder Unit

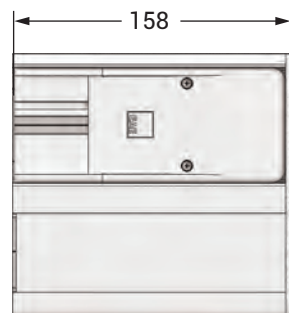
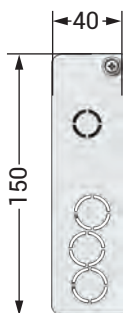
Product Description	Order Code
FLD-I Data Busbar, Busbar Feeder Unit, 32A, 250V, L/N/PE	3133637



FLD-I Data Busbar Busbar Feeder Unit

▶ FLD-I Data Busbar End Feeder Unit

Product Description	Order Code
FLD-I Data Busbar, End Feeder Unit, 32A, 250V, L/N/PE	3148032

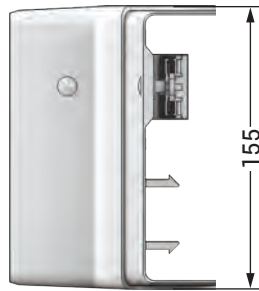
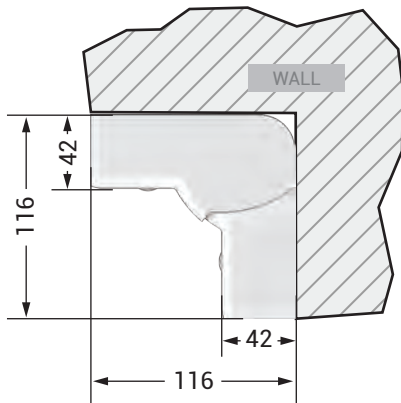


FLD-I Data Busbar End Feeder Unit

▶▶ **FLD DATA BUSBAR PRODUCT ORDER CODES**

▶ **FLD-I Data Internal Corner Unit**

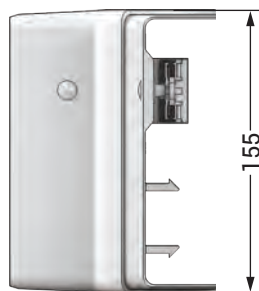
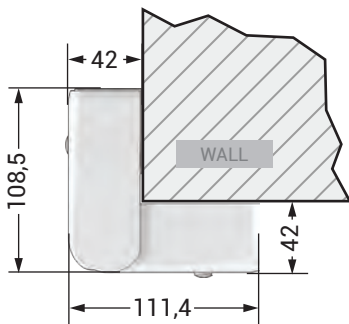
Product Description	Order Code
FLD-I Data Busbar, Internal Corner Unit, 32A, 250V, L/N/PE	3050434



FL-I Internal Corner Unit

▶ **FLD-I Data Busbar External Corner Unit**

Product Description	Order Code
FLD-I Data Busbar, External Corner Unit, 32A, 250V, L/N/PE	3050435

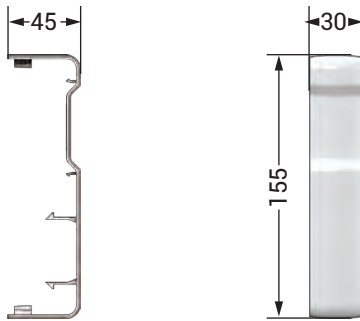


FL-I External Corner Unit

▶▶ FLD DATA BUSBAR PRODUCT ORDER CODES

▶ FLD-I Data Busbar Joint Unit

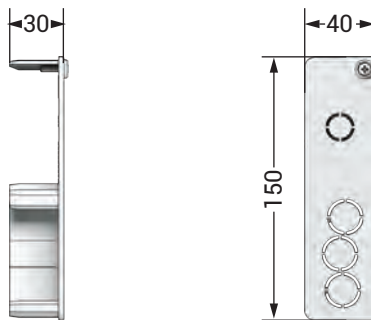
Product Description	Order Code
FLD-I Data Busbar, Joint Unit, 32A, 250V, L/N/PE	3050436



FLD-I Data Busbar
Joint Unit

▶ FLD-I Data Busbar End Cap - Right

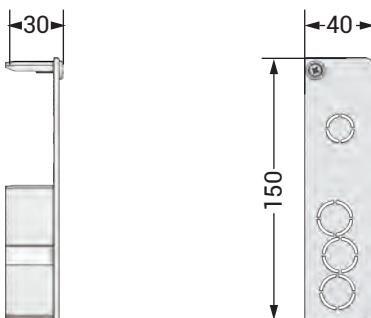
Product Description	Order Code
FLD-I Data Busbar, End Cap - Right	3050437



FLD-I Data Busbar,
End Cap - Right

▶ FLD-I Data Busbar End Cap - Left

Product Description	Order Code
FLD-I Data Busbar End Cap - Left	3050418

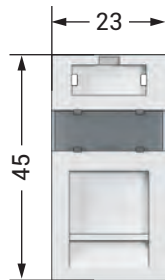
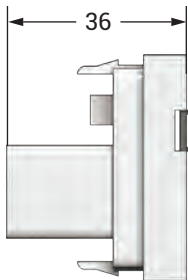


FLD-I Data Busbar,
End Cap - Left

▶▶ FLD DATA BUSBAR PRODUCT ORDER CODES

▶ FLD Data Busbar Keystone Faceplate, Straight Type

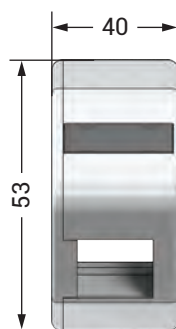
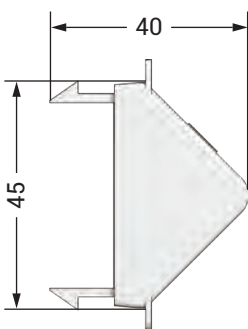
Product Description	Order Code
FLD Data Busbar Keystone Faceplate, 22,5x45mm, Straight Type	1004186



FLD Data Busbar
Keystone Faceplate - Straight Type

▶ FLD Data Busbar Keystone Faceplate, Angular Type

Product Description	Order Code
FLD Data Busbar Keystone Faceplate, 22,5x45mm, Angular Type,	3050429



FLD Data Busbar
Keystone Faceplate, Angular Type

►► FL / FLD BUSBAR AREA OF USAGE

Airports and general places



Administrative Buildings, Offices



E-LINE FLD

▶▶ FL / FLD BUSBAR AREA OF USAGE

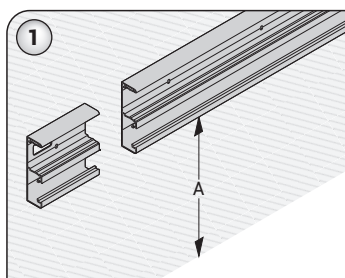
Business centers, banks



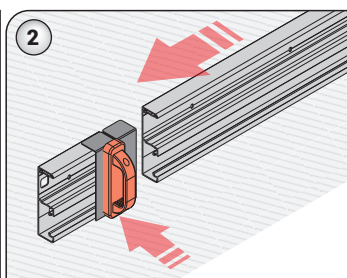
Technology stores



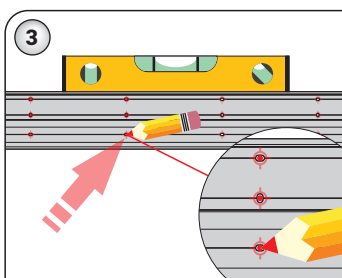
▶▶ FLD DATA BUSBAR MOUNTING



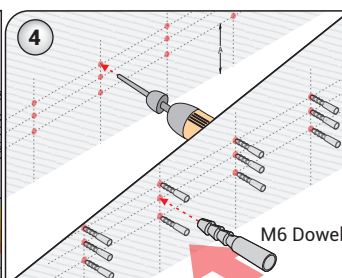
1- Determine the required mounting height of FLD Data Busbar and mark the position.



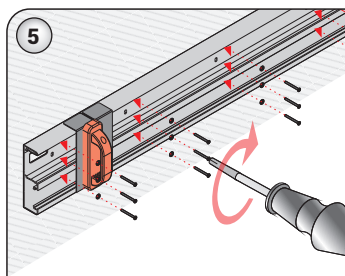
2- Leave 3mm distance between two busbars at joining points. To do this, please use hand gauge given with product.



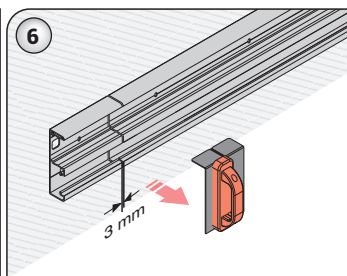
3- Check the horizontal level using a water gauge and mark the location of the rawplug holes using a length of FLD Data Busbar.



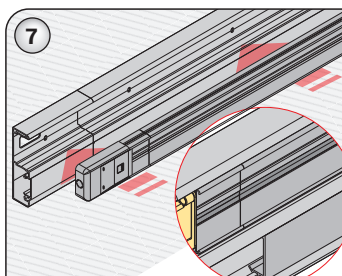
4- Drill the marked positions using a hand drill and M6 bit. Place M6 rawplugs in the holes that are drilled.



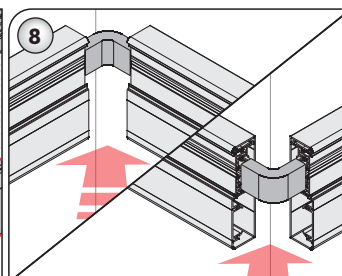
5- Secure FLD Data Busbar on the wall using appropriate washer and screw.



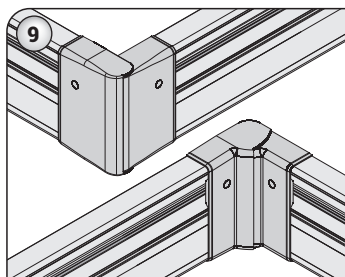
6- Be sure to leave 3mm distance between busbars by using hand gauge.



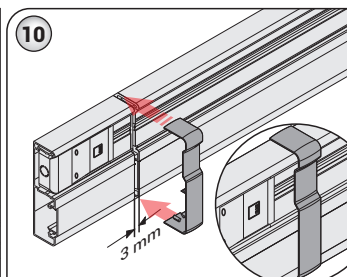
7- Place FL Busbar in the trunking securing the clamps in their places.



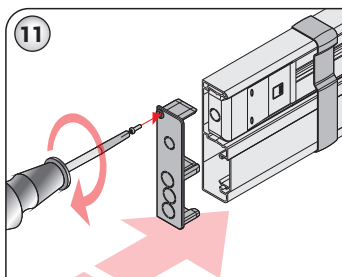
8- At corner locations, place the FLD Data Busbar internal and external corner units installation.



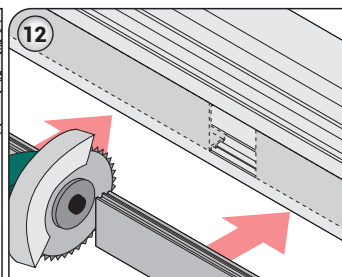
9- At corner locations, install the FLD Data Busbar internal and external corner unit covers securing the clamps in their places.



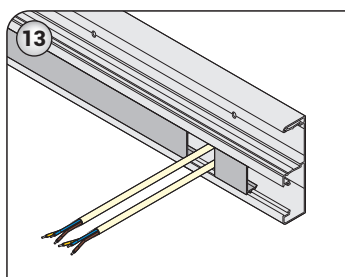
10- Clip on the joint cover piece central to the joint.



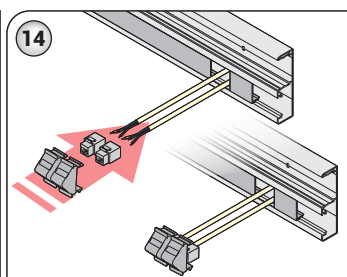
11- Install FLD Data Busbar end cap termination units securing them in the clamps.



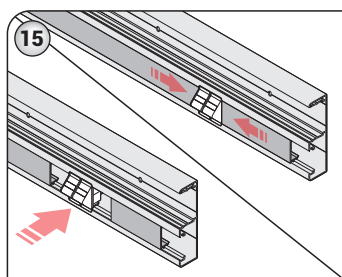
12- Mark areas on FLD Data Busbar where Data and Phone socket will be installed and neatly cut the cover.



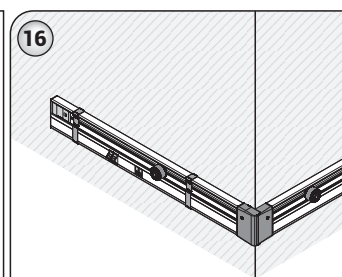
13- Extend Data and Phone cables through these cut sections approximately 50cm.



14- Have a qualified technician drive the cables to RJ45 data sockets and place the RJ45 data sockets with the cables driven on FLD Data Busbar Data & Phone socket base.



15- Place FLD Data Busbar Data&Phone Socket Base on the trunking. Push FLD Data Busbar cover and tighten socket base.



16- Make sure FLD Data Busbar and all its accessories are complete and finish mounting.

ATTENTION: FLD busbar and cover can be cut during installation. To do this, it is recommended to start from corner mounting points and use of motorized circular saw for less casualties and easy installation.

▶ GENERAL PRODUCT SPECIFICATION

FL BUSBAR and FLD DATA BUSBAR (32A) SYSTEM GENERAL PRODUCT SPECIFICATIONS

FL ve FLD Busbar;

- 1- Are manufactured according to IEC 61439-1,6 and IEC 61534-1 standards and sockets to be used in this system are manufactured according to IEC 60884-1 standard. Products have "type test" certificate from international test laboratories for 32A current level.
- 2- Indoor busbar trunking system and sockets to be used in this system are manufactured in facilities with ISO 9001 quality management system and ISO 14001 environment management system.
- 3- Nominal insulation voltage is 415 V.
- 4- Conductors are manufactured from tin plated electrolytic copper and tin with 32A current carrying capacity.
- 5- They are manufactured with 3 conductors, phase, neutral and earth (L/N/PE) structure.
- 6- They are manufactured in 1m and 2m standard lengths.
- 7- They are mounted on the wall with spring type special mounting brackets and they can also be installed in click-fit style in a special PVC data trunking offering structural cabling (data and phone) ability suitable for physical structure and dimensions when requested.
- 8- Supply connectors, internal and external corner units used in Busbar trunking and data trunking are manufactured with same specifications and in the same compact structure.
- 9- Connector member has tulip contact, click-fit structure connecting conductors on both sides. Contacts are silver coated and joints are covered with a separate plate in compact structure.
- 10- Special power sockets of Busbar trunking system (Mains and/or UPS) are 32 A and 250 V and they can be mounted or dismantled to any place on the indoor busbar trunking system. Thanks to its special lock mechanism and clamping structure, the cable is protected from coming off when it is plugged and they are manufactured in different colors.
- 11- Protection class is IP 2XB at least and it is protected against finger contact. There is a dust protector on the entire power reception trunking on the system and a special curtain with a rigid structure. This curtain has a flexible structure and it has resistance to -40/+80 °C operation temperature and pressure. The section it is placed on the profile is hard and the other end is soft.
- 12- Busbar and data trunking are manufactured in different colors with RAL codes suitable for the environment when requested.
- 13- Busbar and data trunking are manufactured from PVC material in accordance with ROHS and REACH standards.
- 14- Busbar trunking cross section has two internal walls and there are tie pieces between inner and outer walls.
- 15- There are no manufacturing defects such as foreign objects, gaps, pores, cracks, continuous scratches in Busbar trunking profile.
- 16- It has flame retardant characteristics and manufactured in UL94 standard and V2 class at minimum.
- 17- It is manufactured with resistance to -5/+40 °C ambient temperature.
- 18- It is subjected to "Hot wire test" and can resist 960 °C heat according to the test results.
- 19- It is subjected to "Impact test" and it is in IK 07 class.
- 20- Lengthwise change of busbar trunking profiles that are subjected to 100°C for 1 hour is calculated and tested. According to test results, deflection is no more than 2%.
- 21- Busbar trunking profiles are subjected to 120 °C for 30 minutes. Their surfaces are checked after they cooled down in room temperature and no grains, peeling or surface defects were not observed.
- 22- Busbar trunking profile hardness is 77 (± 2) Shore D.
- 23- Lengthwise deflection on Busbar trunking profile is 1 mm/m maximum.
- 24- They are manufactured in accordance with "weight loading test" conditions stated in IEC 61439-1.
- 25- They are manufactured in accordance with "weight loading test" conditions stated in IEC 61439-1.
- 26- It is covered in protective film to prevent contamination before field mounting.
- 27- They are manufactured from unleaded raw material.

►►DECLARATION

CE DECLARATION OF CONFORMITY

Product Group E-LINE FL/FLD Indoor Busbar Trunking Systems
Manufacturer EAE Elektrik Asansör End. İnşaat San. ve Tic. A.Ş.
Akçaburgaz Mahallesi, 3114. Sokak,
No:10, 34522 Esenyurt - İstanbul

We confirm that products or product group mentioned above manufactured in EAE Facilities conform to standards and regulations listed below.

Standard:

IEC 61439-6 / IEC 61534-1 / IEC 60884-1

Low voltage switching and control gear equipment - Part 6: Equipment for power distribution in general mains.

CE - Directive:

2006/95/AT "Regulation on electrical equipment" to be used in certain voltage limits"

Technical Document Preparation Official:

EAE Elektrik Asansör End. İnşaat San. ve Tic. A.Ş.
Akçaburgaz Mahallesi, 3114. Sokak, No:10 34522 Esenyurt-İstanbul

Emre GÜRLEYEN

Date

08.03.2021

Document Authorized Signatory

Elif Gamze KAYA OK
Deputy General Manager













TEST CERTIFICATE

Issued to: EAE Elektrik Asansör End.
 Insaat San. ve Tic. A.S.
 Akçaburgaz Mahallesi 119, Sokak No: 10
 34510 Esenyurt / İstanbul
 Turkey

For the product: Low-voltage busbar trunking system

Trade name: EAE

Type/Model: FL-I 32-3, FLD-I 32-3

Ratings: I_{nc} 32 A, U_i 415 V, U_{imp} 4 kV
 For more details see annex

Manufactured by: EAE Elektrik Asansör End.
 Insaat San. ve Tic. A.S.
 Akçaburgaz Mahallesi 119, Sokak No: 10
 34510 Esenyurt / İstanbul
 Turkey

Subject: Design verification

Requirements: IEC 61439-6: 2012
 Clauses: 10.2, 10.3, 10.4, 10.9, 10.10 and Annex BB and DD

Remarks: Busbar trunking system consists of feeder box, joint and straight lengths

This Test Certificate is granted on account of an examination by DEKRA, the results of which are laid down in report no. 2190119.01-INC, dated 24 February 2016.

The examination has been carried out on one single specimen of the product, submitted by the manufacturer. The Attestation does not include an assessment of the manufacturer's production. Conformity of his production with the specimen tested by DEKRA is not the responsibility of DEKRA.

Arnhem, 24 February 2016

Number: 2190119.100

DEKRA Certification B.V.



F.S. Strikwerda
 Certification Manager

© Integral publication of this certificate and adjoining reports is allowed

DEKRA Certification B.V. Meander 1051, 6825 MJ Arnhem P.O. Box 5185, 6802 ED Arnhem, The Netherlands
 T +31 88 96 83000 F +31 88 96 83100 www.dekra-certification.com Company registration 09085396



▶▶ **DESIGN FORM**

Member List									
Serial No	Pos.								
Type									
<table border="1"><tr><td colspan="2">Company : _____</td></tr><tr><td colspan="2">Project : _____</td></tr><tr><td colspan="2">Project No : _____</td></tr><tr><td>Prepared by</td><td></td></tr></table>		Company : _____		Project : _____		Project No : _____		Prepared by	
		Company : _____							
		Project : _____							
		Project No : _____							
Prepared by									
Name : _____									
Date : _____									
Signature : _____									


EAE

Please duplicate this page for your own use.

▶▶ DESIGN FORM

Member List		
Serial No	Type	Pcs.


Company :	Project :	Project No :
Prepared by		
Name :	Date :	Signature :



Please duplicate this page for your own use.

▶▶ DESIGN FORM

Member List		Serial No	Type	Pcs.
				Company :
				Project :
				Project No :
				Name :
				Date :
				Signature :
				Prepared by



Please duplicate this page for your own use.

▶▶ DESIGN FORM

Member List		
Serial No	Type	Pcs.

Company : _____

Project : _____

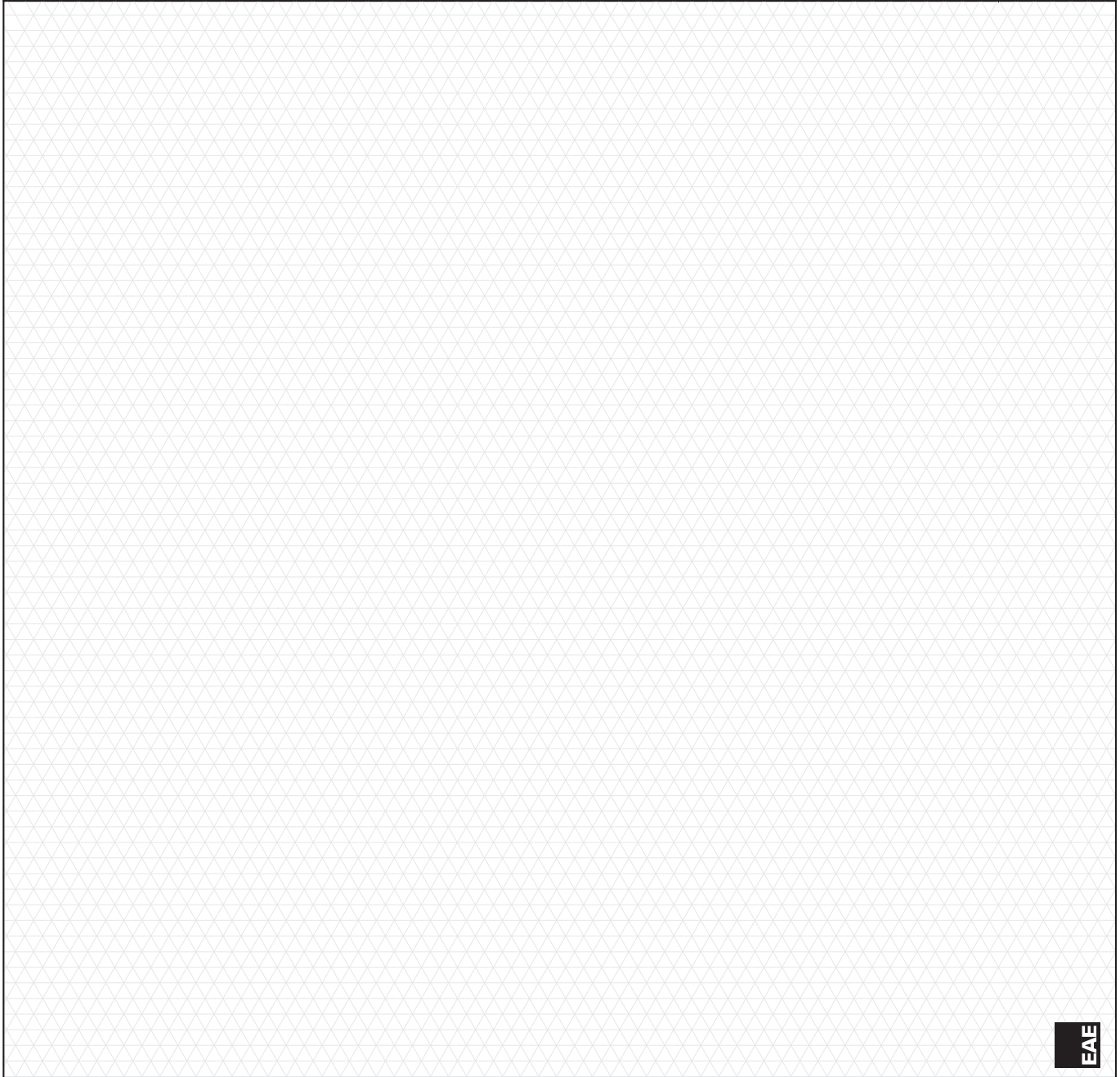
Project No : _____


Name : _____

Date : _____

Signature : _____

Prepared by _____





Please duplicate this page for your own use.

PRODUCT TYPES



BUSBAR ENERGY DISTRIBUTION SYSTEMS



CABLE TRAYS



TROLLEY BUSBAR ENERGY DISTRIBUTION SYSTEMS



INDOOR SOLUTIONS



SUPPORT SYSTEMS



EAE Elektrik
Genel Merkez
Akcaburgaz Mahallesi,
3114. Sokak, No: 10 34522
Esenyurt – Istanbul - TURKEY
Tel: +90 (212) 866 20 00
Fax: +90 (212) 886 24 00

EAE DL 3 Fabrikasi
Busbar
Gebze IV Istanbul Makine ve Sanayicileri
Organize Bolgesi, 6. Cadde,
No: 6 41455 Demirciler Koyu,
Dilovasi – Kocaeli - TURKEY
Tel: +90 (262) 999 05 55
Fax: +90 (262) 502 05 69

Please visit our website for the updated version of our catalogues.
www.eaeelectric.com



Catalogue 24-Eng. / Rev 05 500 Pcs. 09/03/2023
G.M.

EAE has full right to make any revisions or changes on this catalogues without any prior notice.

